



US00D465892S

(12) **United States Design Patent**
Weiss et al.

(10) **Patent No.:** **US D465,892 S**

(45) **Date of Patent:** **** Nov. 19, 2002**

- (54) **LONGITUDINALLY RIBBED SMOKER'S URN HOLDER**
- (75) Inventors: **Richard E. Weiss**, Pottsville, PA (US);
Sam Weiss, Pottsville, PA (US)
- (73) Assignee: **United Receptacle Inc.**, Pottsville, PA (US)
- (**) Term: **14 Years**

D304,253 S	10/1989	Skalka	D34/6
D305,470 S	1/1990	Yoshikawa	D34/40
D305,471 S	1/1990	Yoshikawa	D34/40
D306,928 S	3/1990	Hanna	D34/5
D314,461 S	2/1991	Skalka	D34/5
5,115,914 A	5/1992	Dario	206/499
5,624,050 A	4/1997	Haas	220/4.05
D391,723 S	3/1998	McCombs	D34/5

Primary Examiner—Cynthia E. Ramirez
(74) *Attorney, Agent, or Firm*—Duane Morris LLP

- (21) Appl. No.: **29/151,233**
- (22) Filed: **Oct. 23, 2001**

(57) **CLAIM**

The ornamental design of a longitudinally ribbed smoker's urn holder, as shown and described.

Related U.S. Application Data

DESCRIPTION

- (62) Division of application No. 29/112,293, filed on Oct. 13, 1999.
- (51) **LOC (7) Cl.** **09-09**
- (52) **U.S. Cl.** **D34/1**
- (58) **Field of Search** D34/1, 5, 6, 7,
D34/8, 9, 10; 220/908, 909, 910, 911

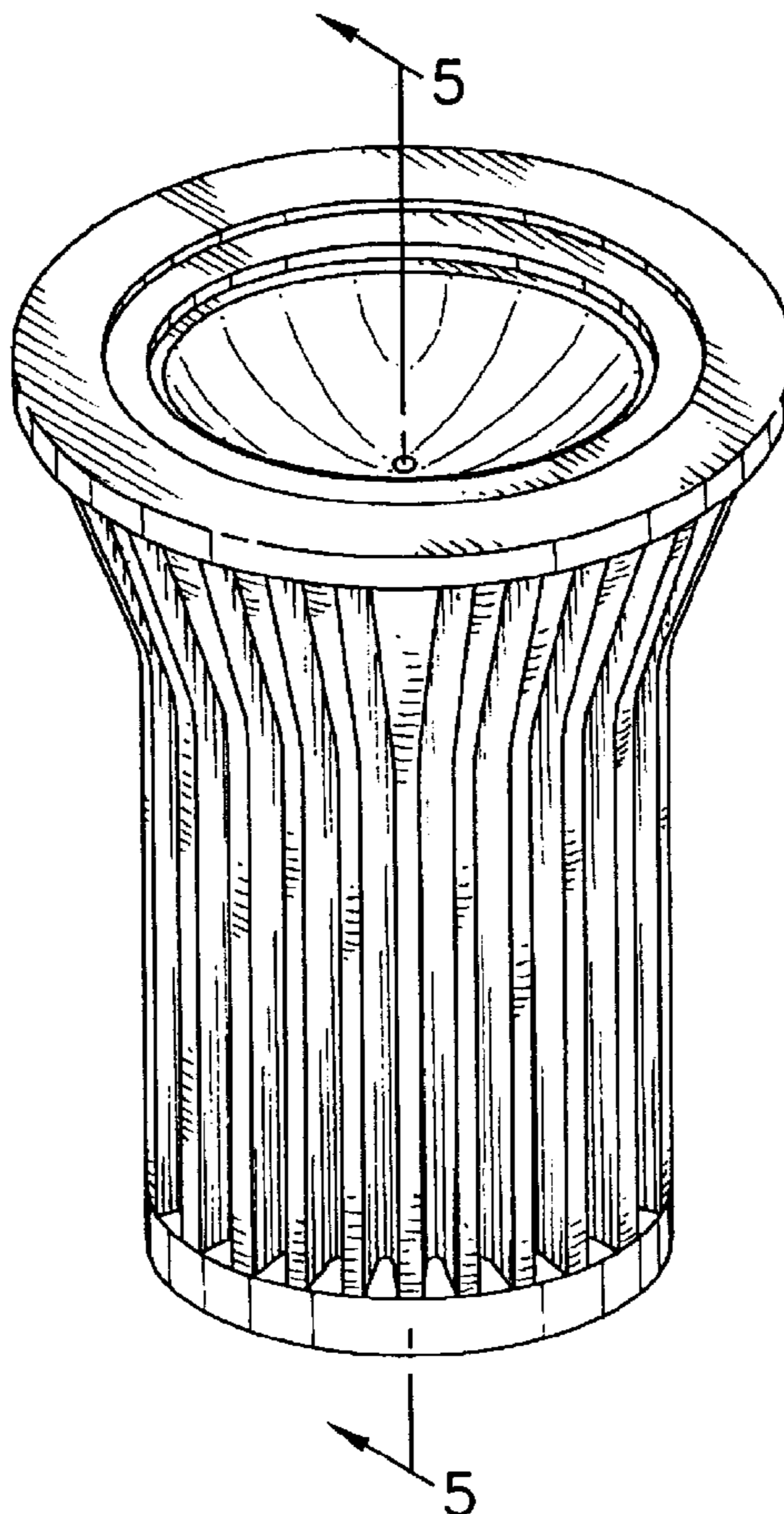
FIG. 1 is a front perspective view of the longitudinally ribbed smoker's urn holder according to the inventive design;
 FIG. 2 is a side elevation view of the inventive design as shown in FIG. 1, the view from the remaining sides and rear being the same as shown;
 FIG. 3 is a top plan view thereof;
 FIG. 4 is a bottom plan view thereof; and,
 FIG. 5 is a longitudinal cross section taken along line 5—5 in FIG. 1.

(56) **References Cited**

U.S. PATENT DOCUMENTS

2,907,491 A	1/1959	Gunn	220/40
4,638,595 A	1/1987	Rivero	47/39

1 Claim, 4 Drawing Sheets



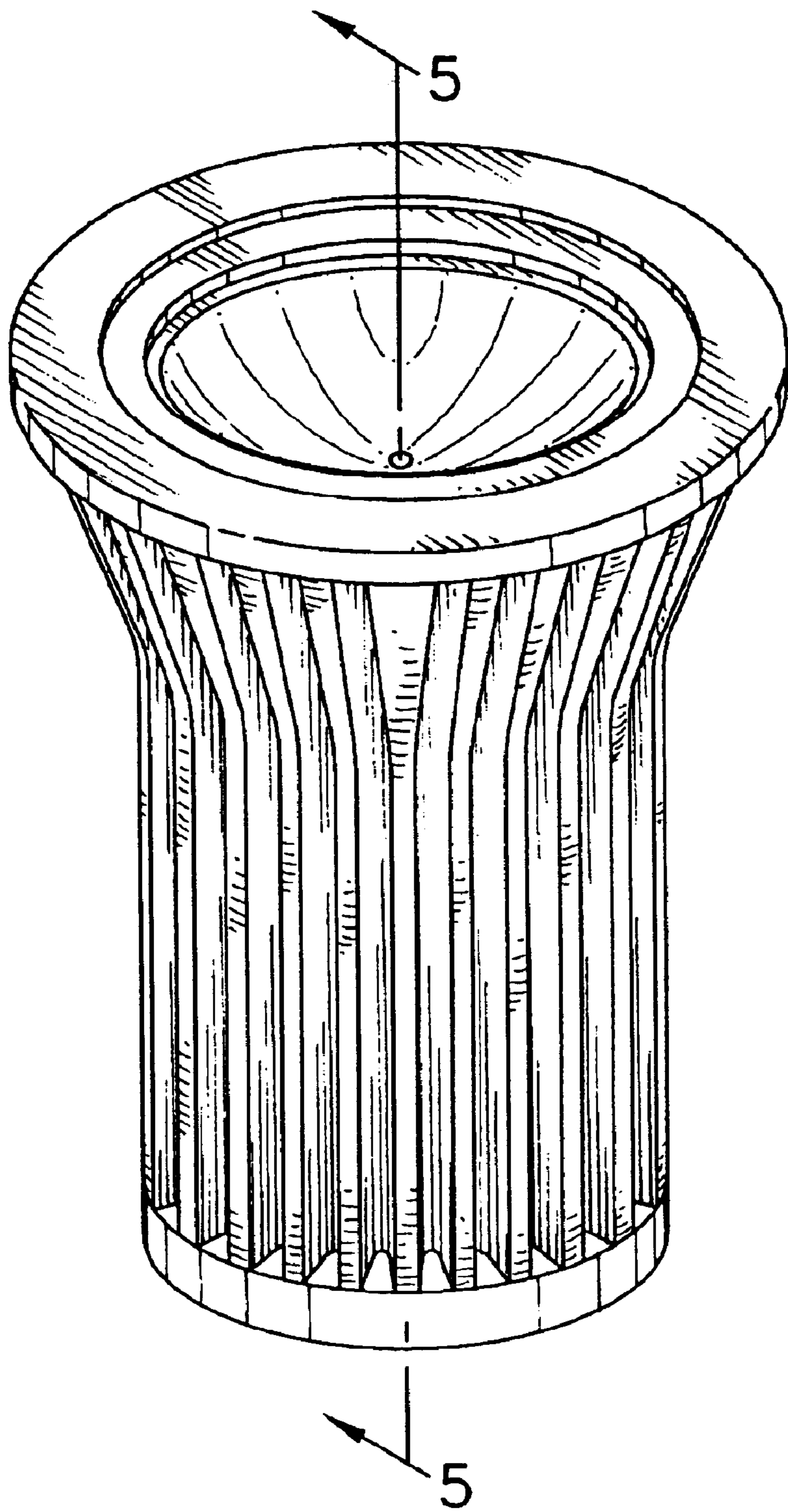


FIG. 1

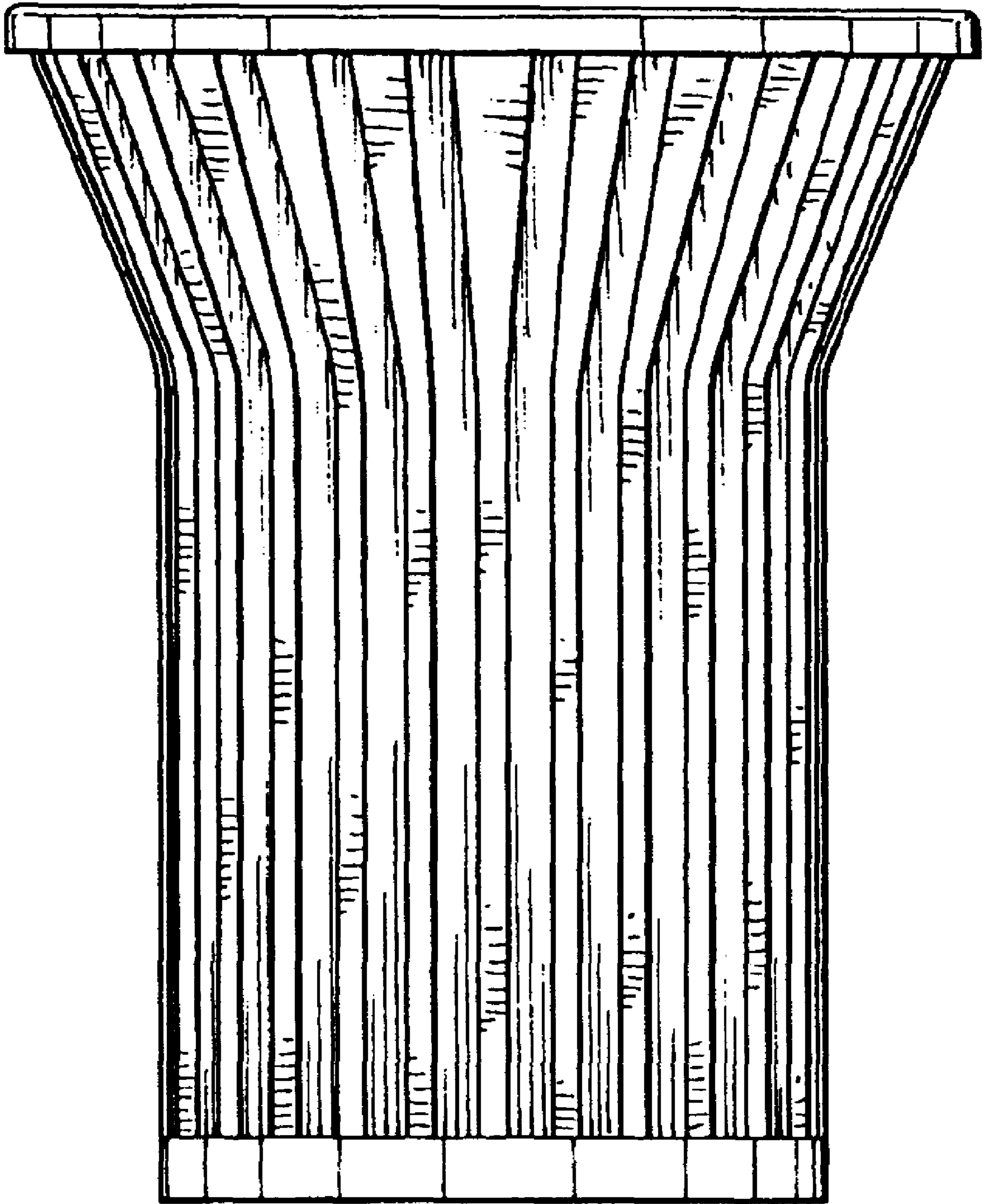


FIG. 2

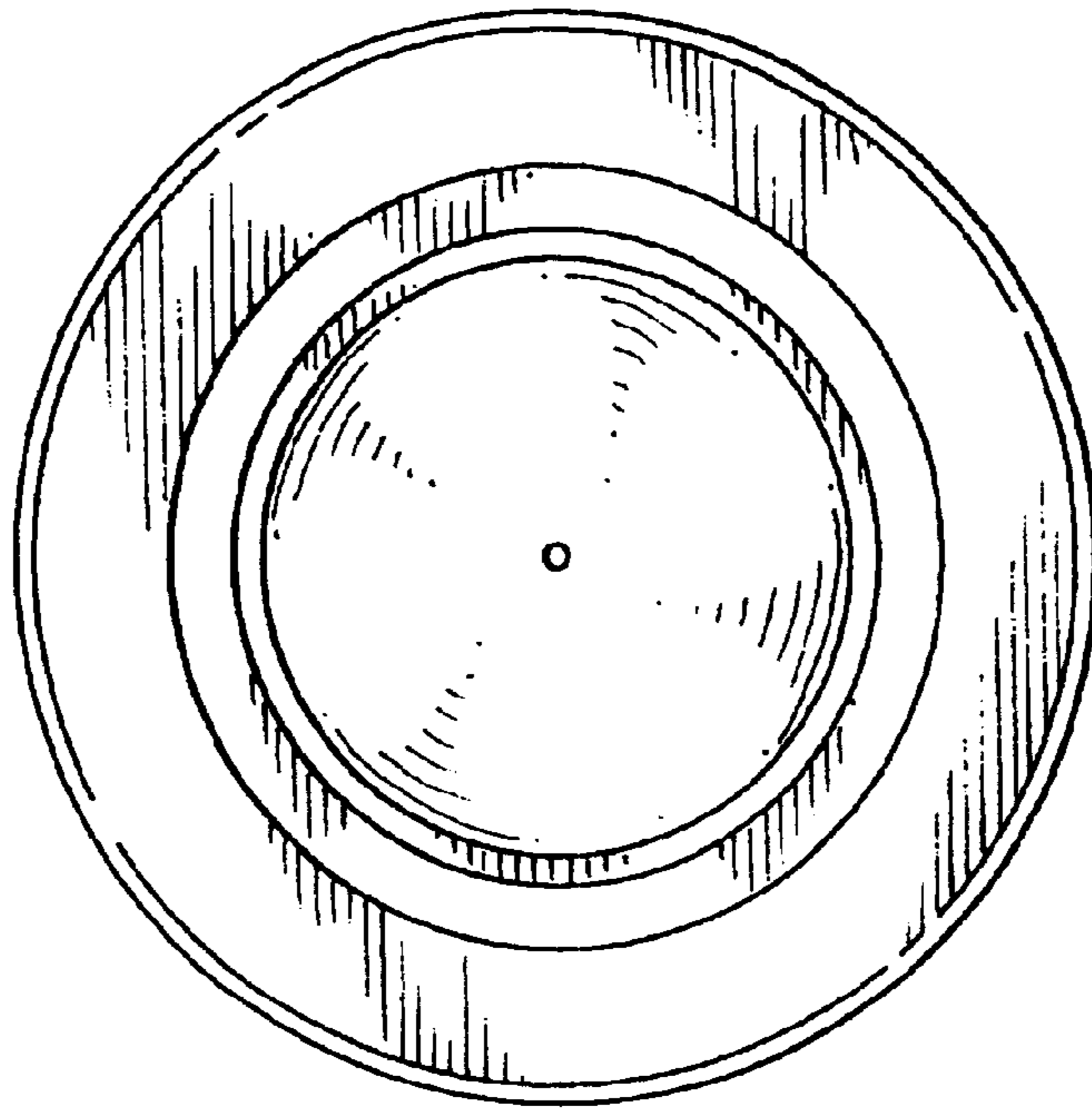


FIG. 3

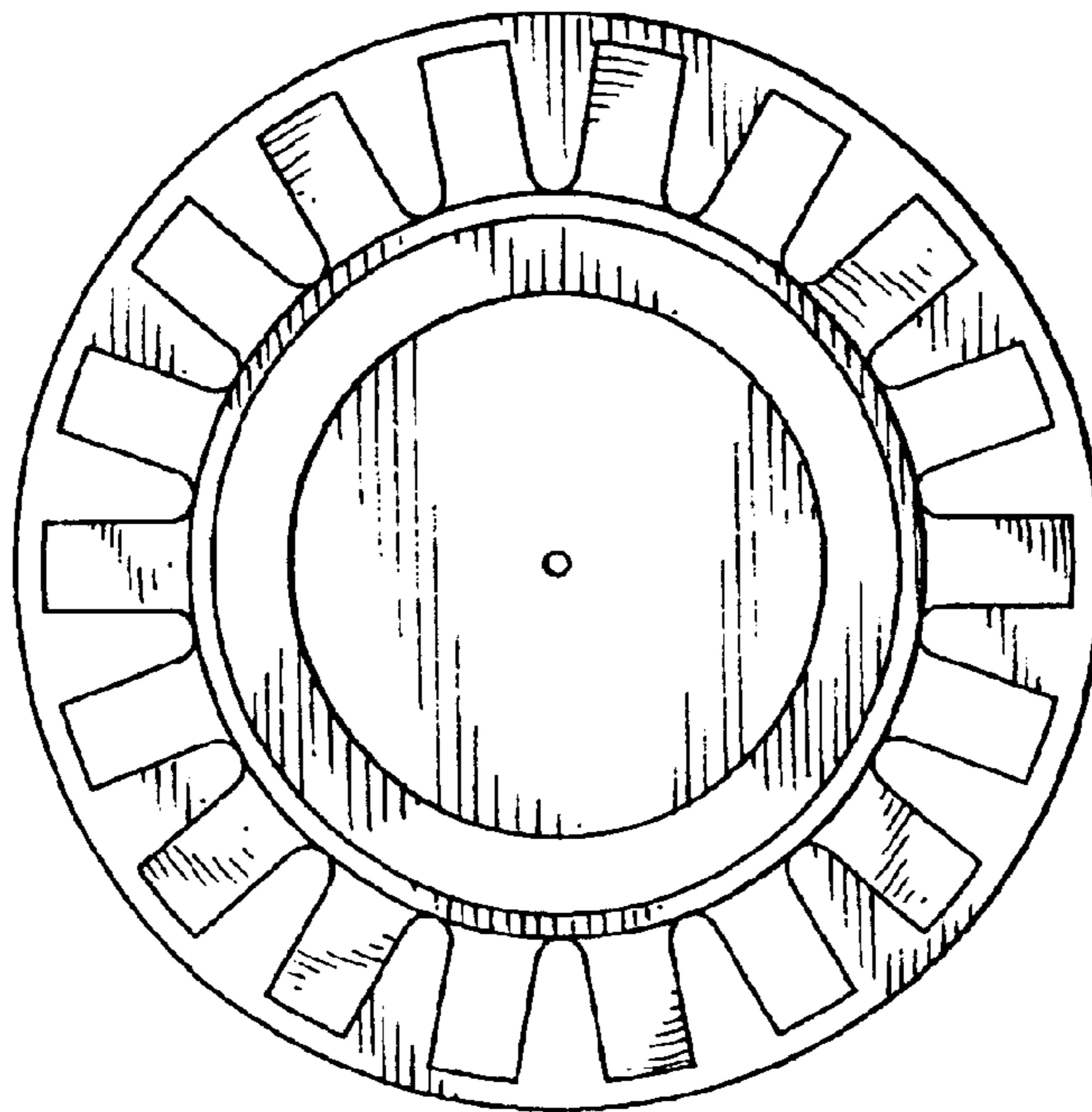


FIG. 4

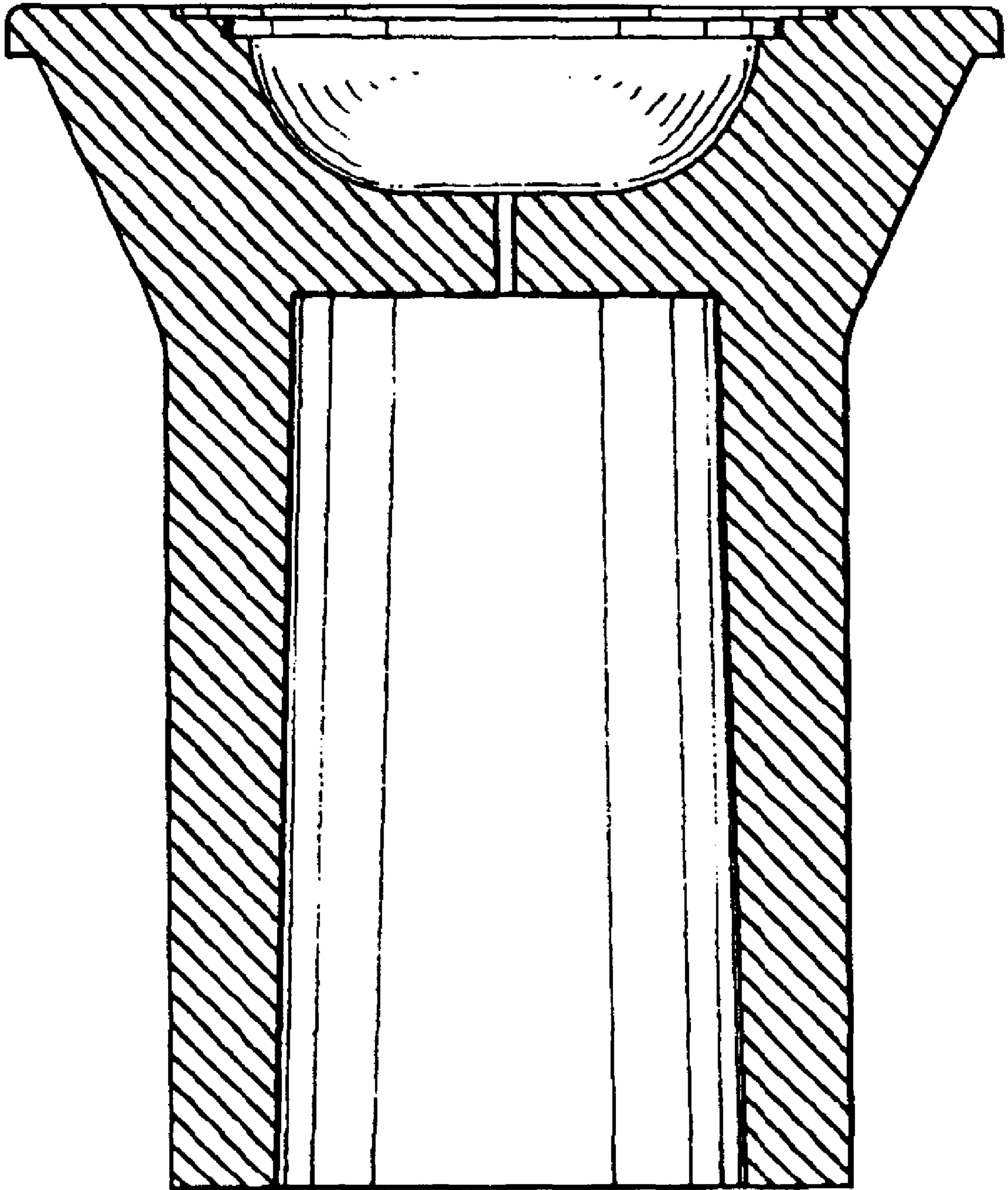


FIG. 5