



US00D465891S

(12) **United States Design Patent**  
**Brown**

(10) **Patent No.:** **US D465,891 S**

(45) **Date of Patent:** **\*\* Nov. 19, 2002**

(54) **DISH CRADLE**

(76) Inventor: **Michael Gordon Brown**, 1315  
Milwaukee St., Denver, CO (US) 80206

(\*\*) Term: **14 Years**

(21) Appl. No.: **29/159,660**

(22) Filed: **Apr. 25, 2002**

(51) **LOC (7) Cl.** ..... **07-05**

(52) **U.S. Cl.** ..... **D32/55; D32/58**

(58) **Field of Search** ..... D6/462, 467, 552;  
D32/55-59; 4/637, 638, 656; 34/103, 104;  
108/16, 24; 211/41.1, 41.2, 41.3, 41.4,  
41.6, 71.01, 74, 85.25; 220/487, 572

(56) **References Cited**

**U.S. PATENT DOCUMENTS**

4,183,437	A	1/1980	Crawford et al.	
D322,343	S	* 12/1991	Pearcy	D32/58
D369,002	S	* 4/1996	Pratt	D32/55
D449,414	S	* 10/2001	James et al.	D32/55
D460,295	S	* 7/2002	Fissell et al.	D6/467

**OTHER PUBLICATIONS**

Maple Racks, <http://www.containerstore.com>, The Container Stone © 2000 [retrieved on Feb. 26, 2002].

\* cited by examiner

*Primary Examiner*—Alan P. Douglas

*Assistant Examiner*—Lavone D. Tabor

(74) *Attorney, Agent, or Firm*—Dorr, Carson, Sloan & Birney, P.C.

(57) **CLAIM**

The ornamental design for a dish cradle, as shown and described.

**DESCRIPTION**

FIG. 1 is a front perspective view of a dish cradle showing my new design.

FIG. 2 is a top plan view thereof.

FIG. 3 is a bottom plan view thereof.

FIG. 4 is a left side elevational view thereof, with the right side elevational view being the same as FIG. 4.

FIG. 5 is a front elevational view thereof, with the rear elevational view being the same as FIG. 5.

FIG. 6 is a front perspective view of an alternative embodiment of a dish cradle showing my new design.

FIG. 7 is a front elevational view of the embodiment shown in FIG. 6, with the rear elevational view being the same as FIG. 7.

FIG. 8 is a top plan view of the embodiment shown in FIG. 6.

FIG. 9 is a bottom plan view of the embodiment shown in FIG. 6; and,

FIG. 10 is a left side elevational view of the embodiment shown in FIG. 6, with the right side elevational view being the same as FIG. 10.

**1 Claim, 5 Drawing Sheets**

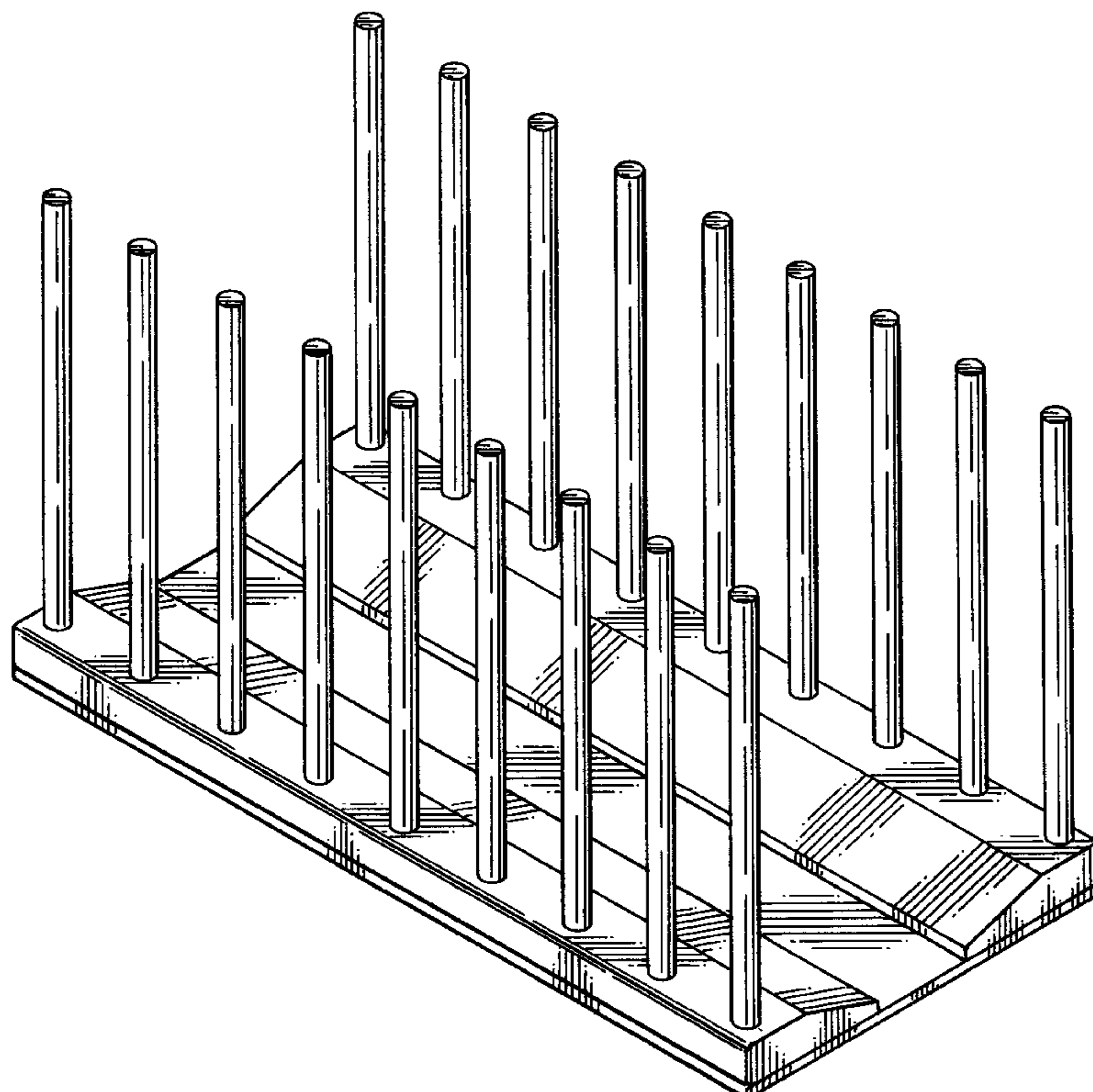
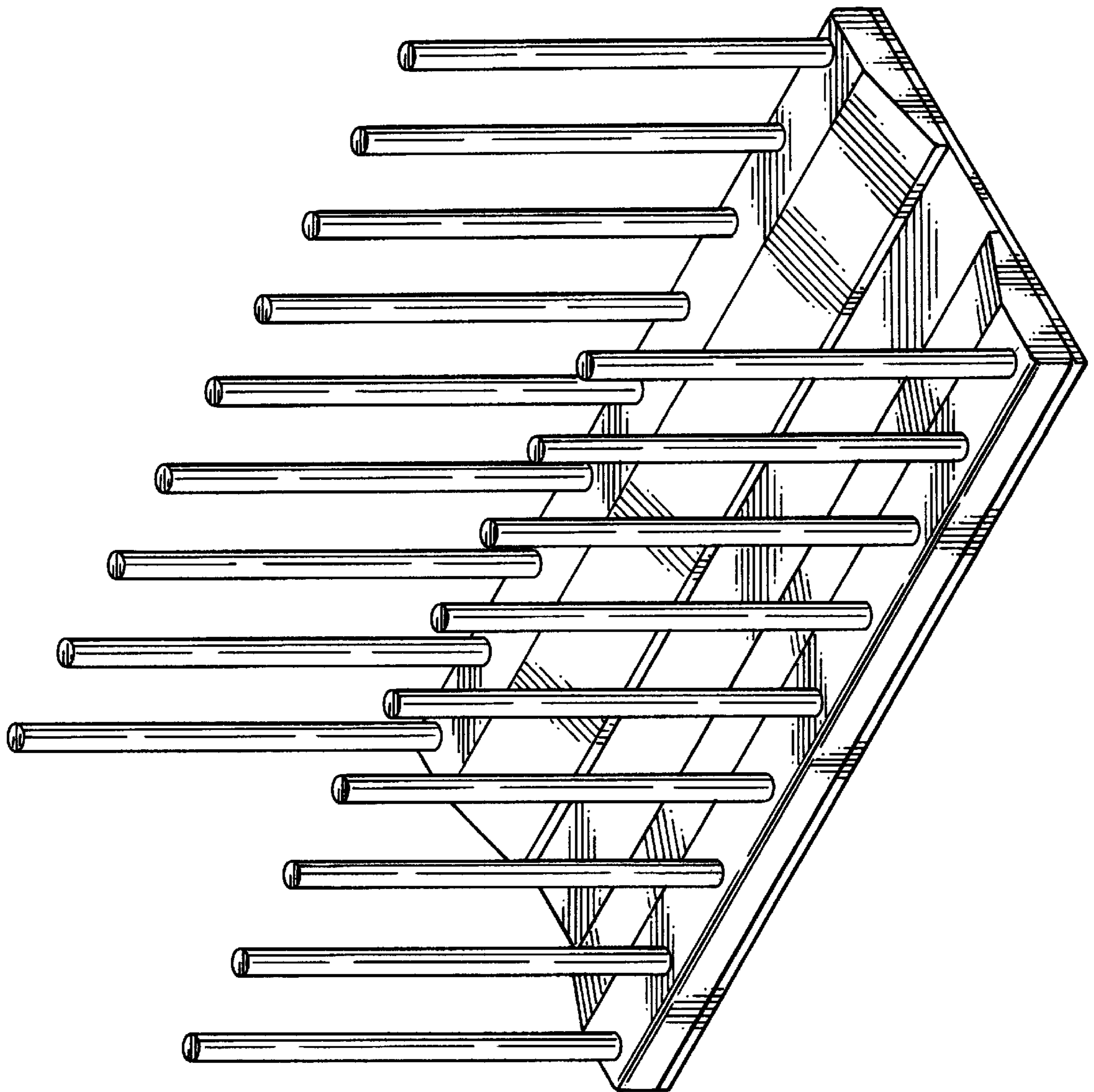


Fig. 1



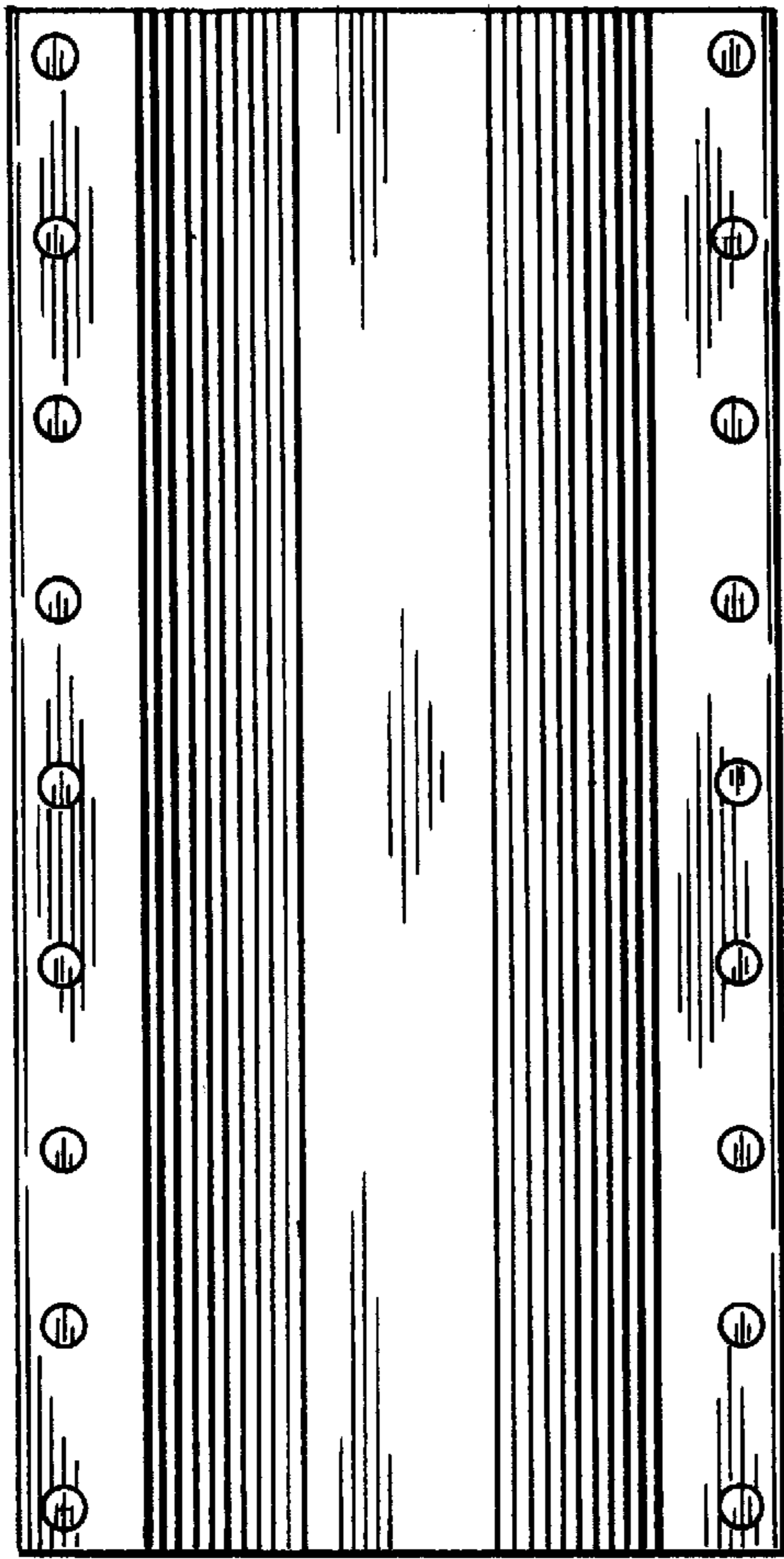


Fig. 2

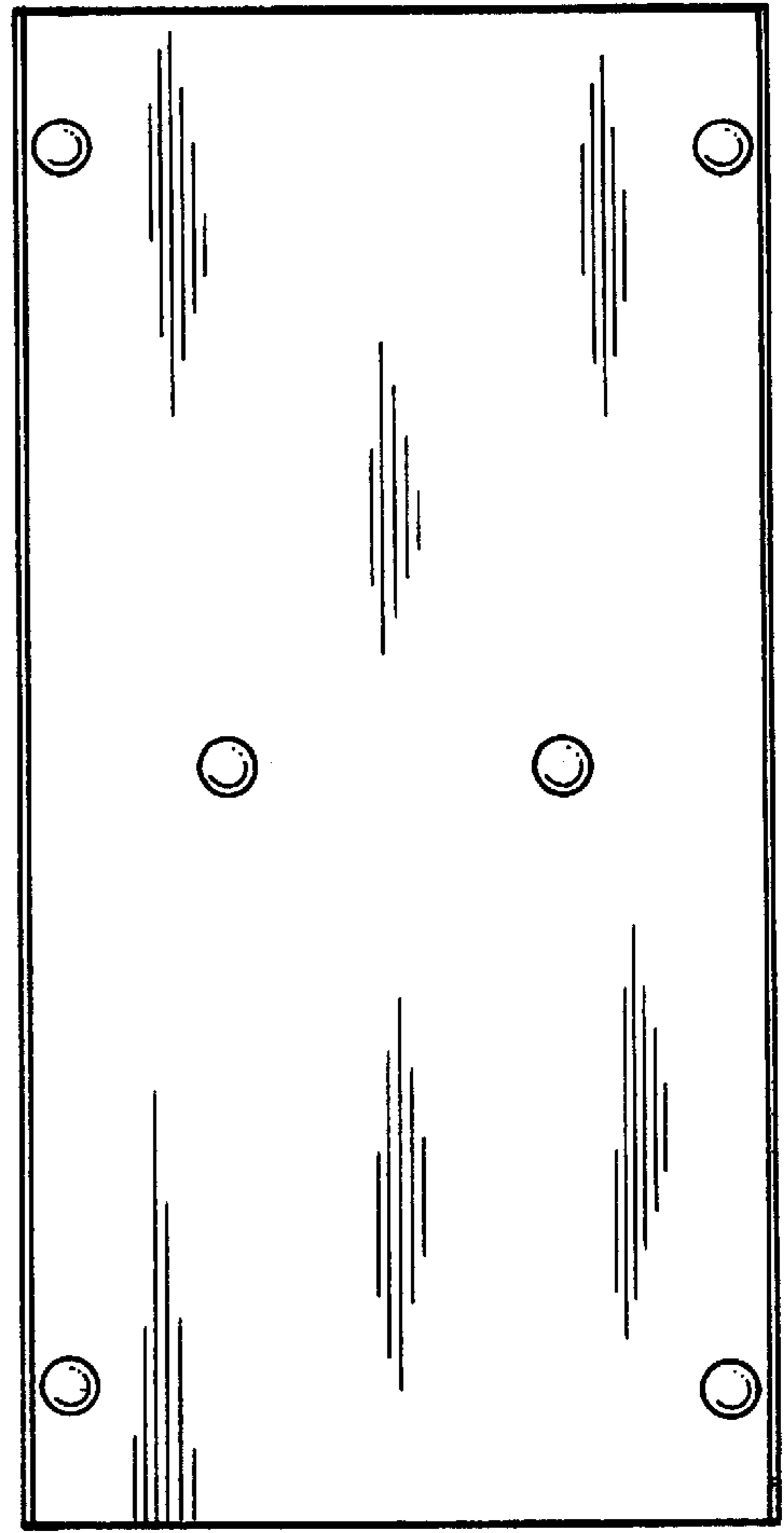


Fig. 3

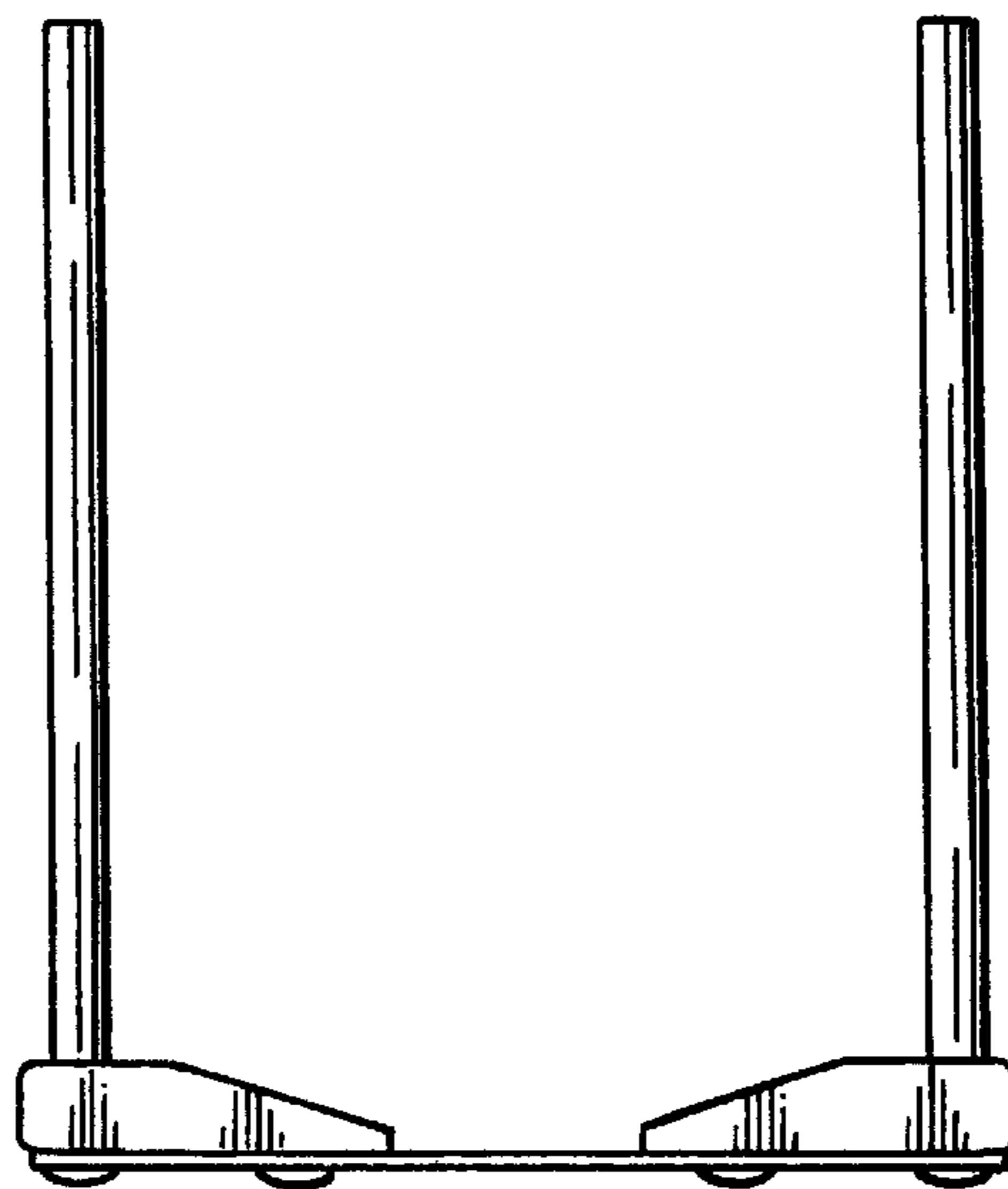


Fig. 4

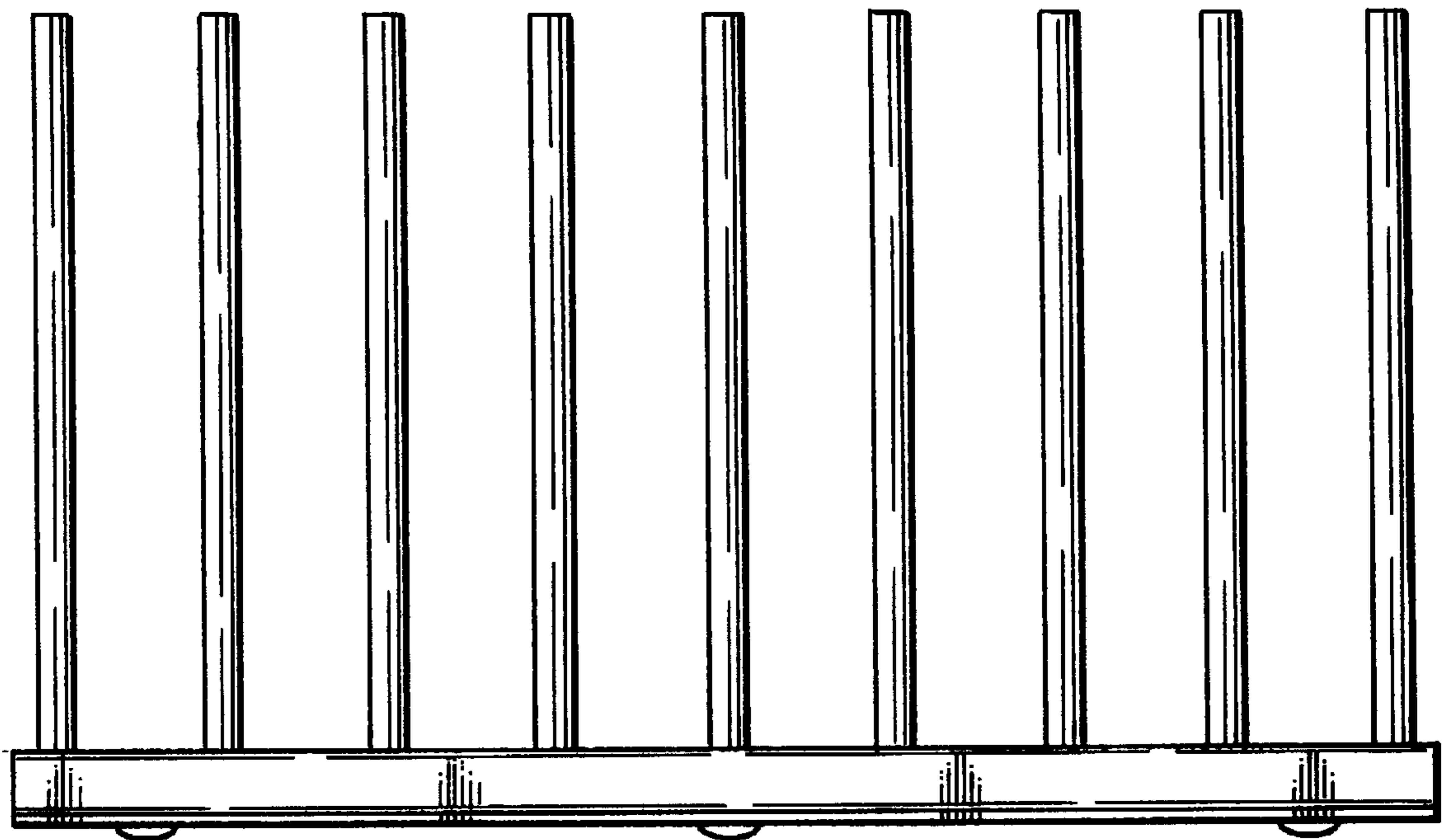
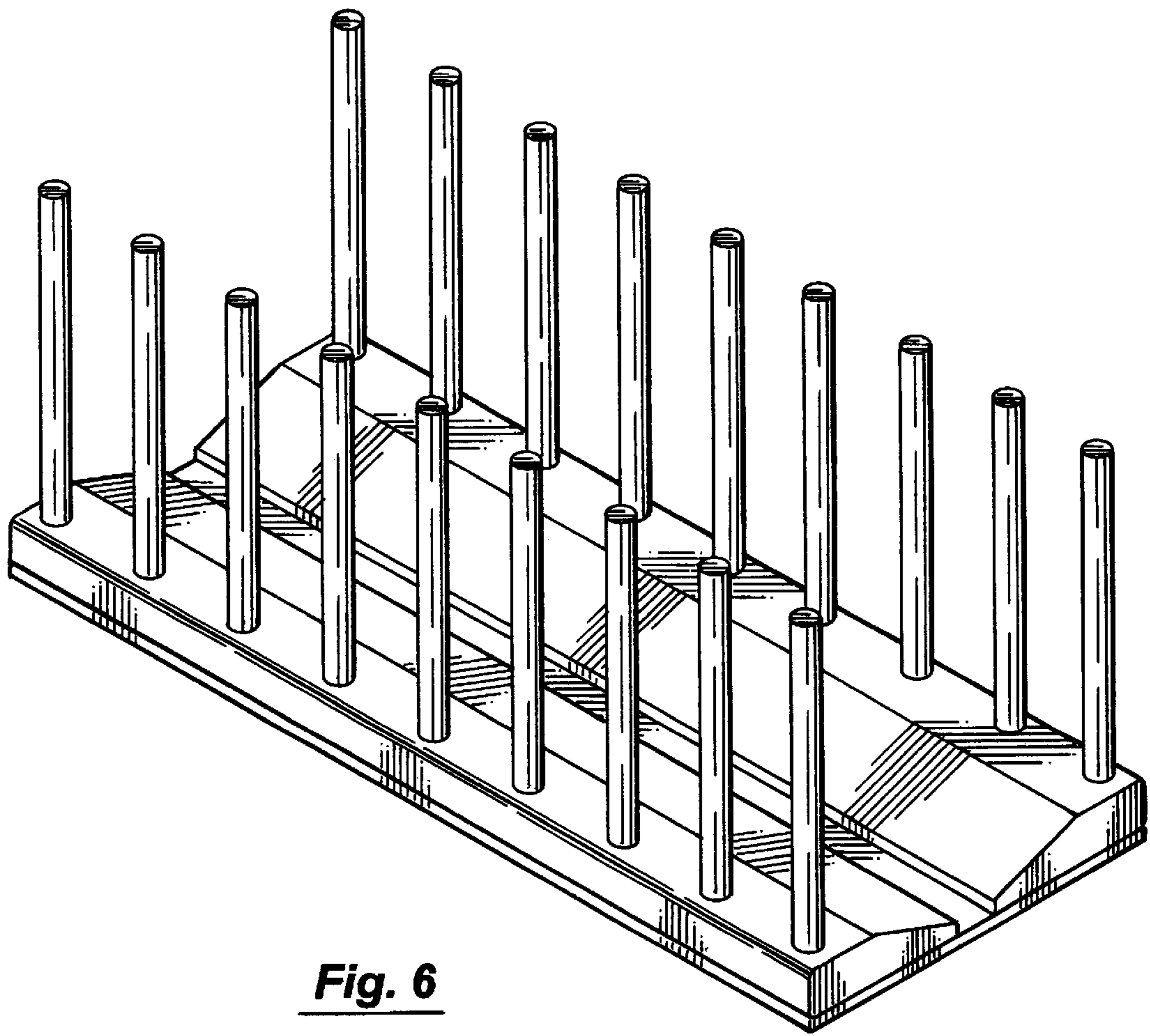
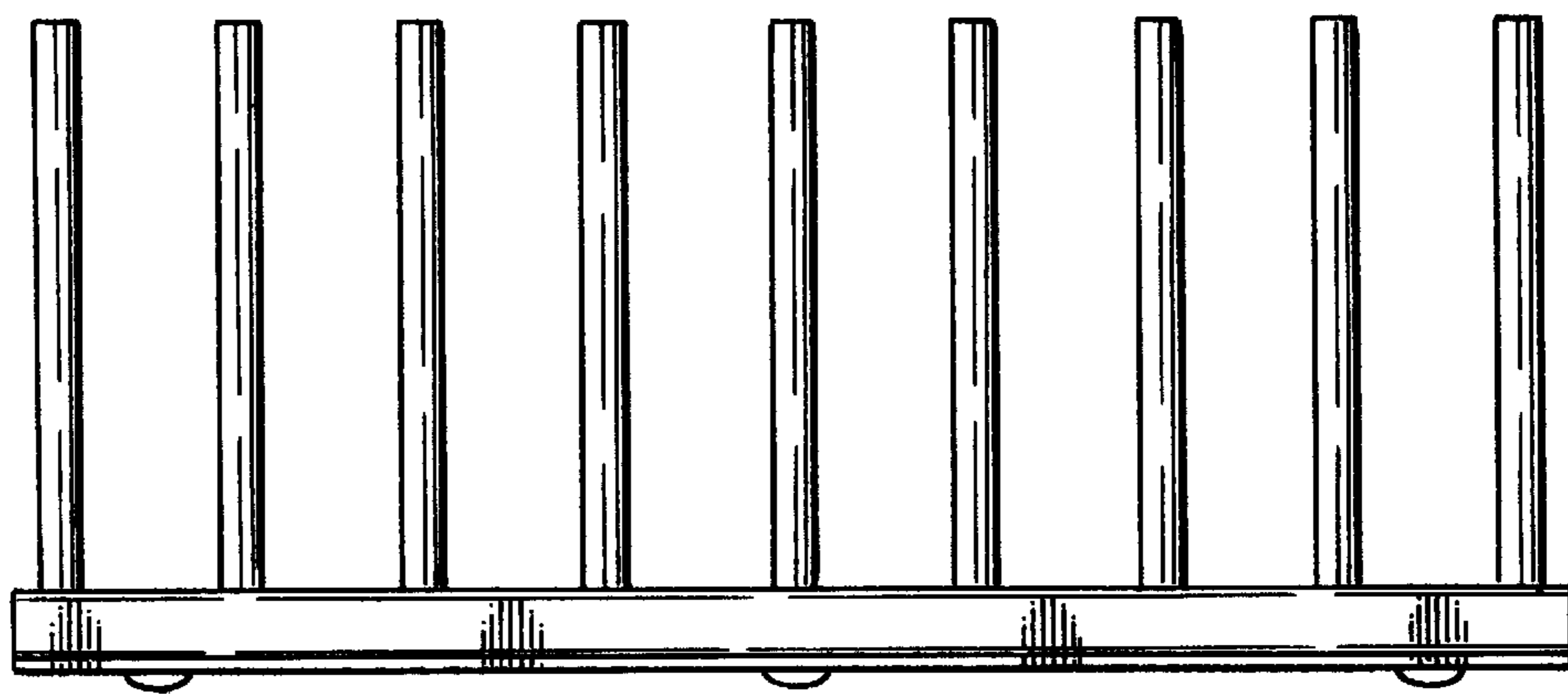


Fig. 5



**Fig. 6**



**Fig. 7**

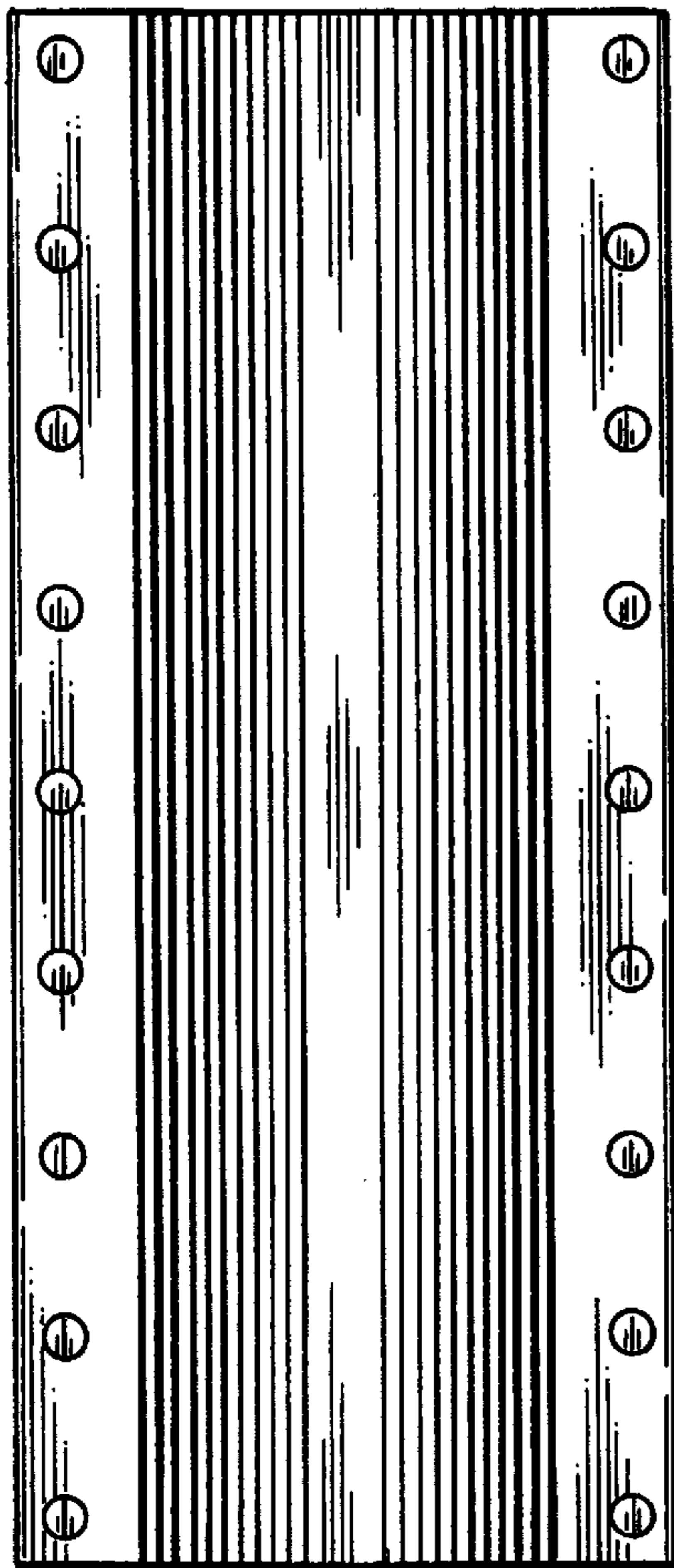


Fig. 8

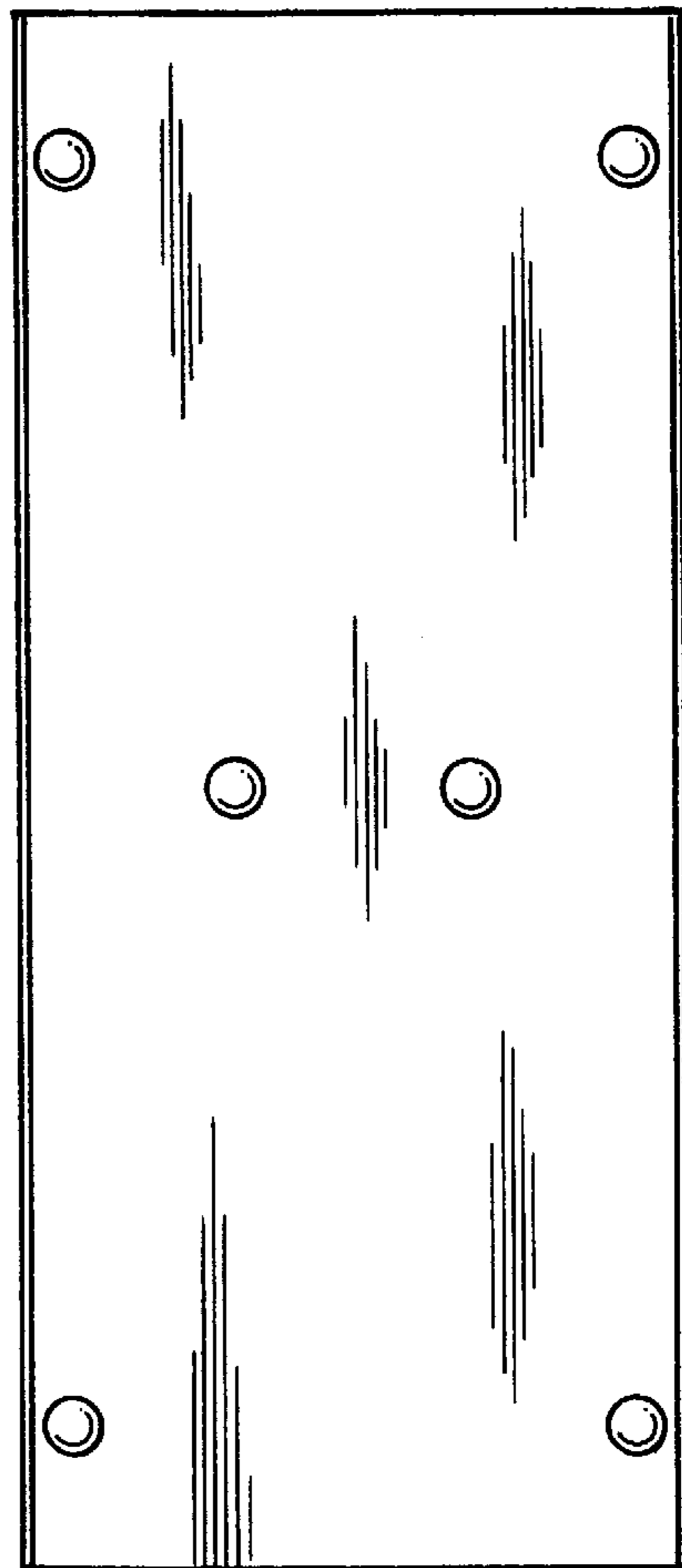


Fig. 9

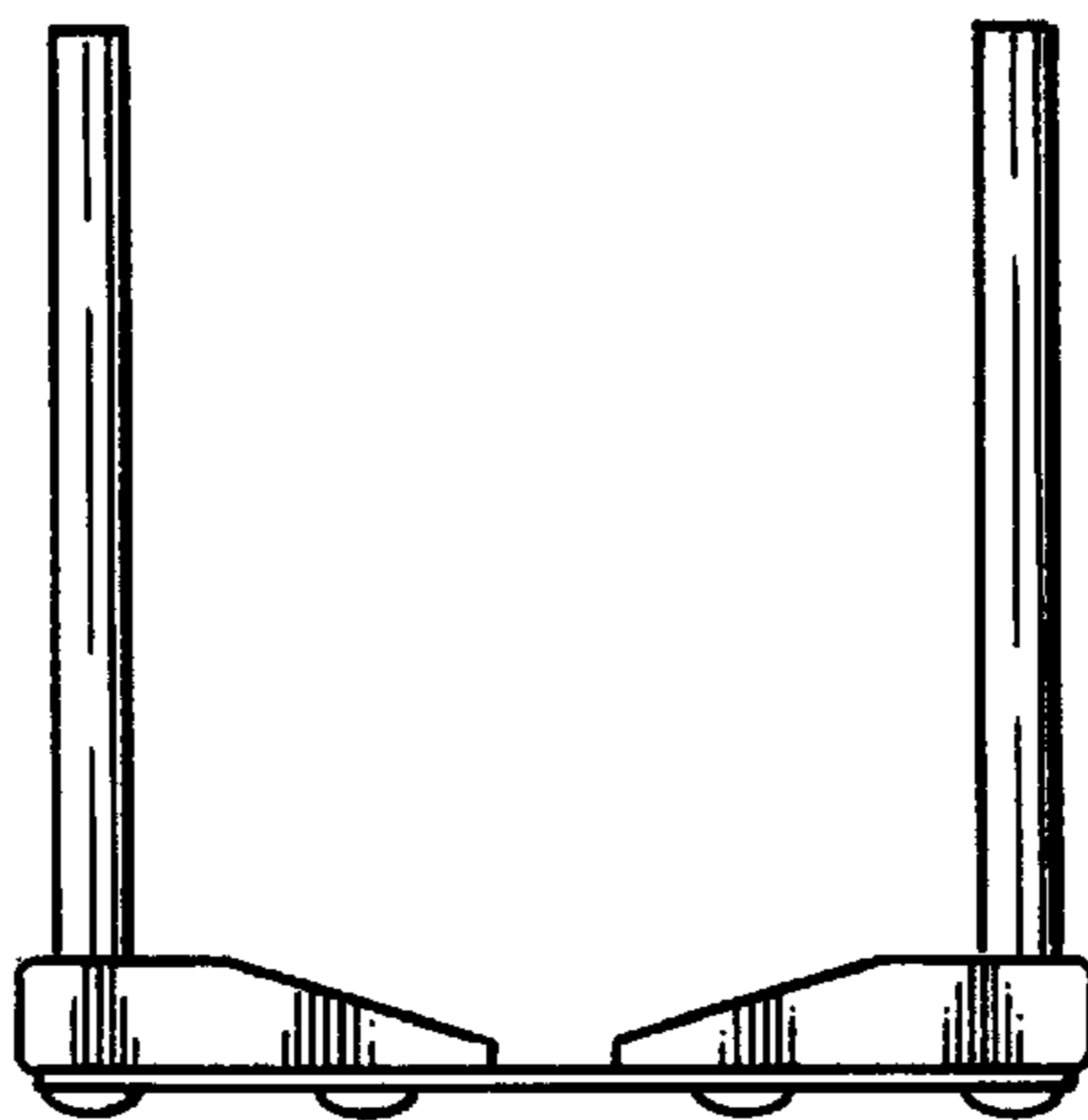


Fig. 10