



US00D465887S

(12) **United States Design Patent**  
**Begnani**

(10) **Patent No.:** **US D465,887 S**

(45) **Date of Patent:** **\*\* Nov. 19, 2002**

(54) **WASHBOWL**

(76) **Inventor:** **Edson Donizetti Begnani**, Rua Jamil  
Gebara, 1-25 V1 Mariana, Bauru - SP  
(BR), 17045-150

(\*\*) **Term:** **14 Years**

(21) **Appl. No.:** **29/143,324**

(22) **Filed:** **Jun. 12, 2001**

(30) **Foreign Application Priority Data**

Dec. 12, 2000 (BR) ..... 6003293

(51) **LOC (7) Cl.** ..... **08-99**

(52) **U.S. Cl.** ..... **D32/35; D7/602; D32/53**

(58) **Field of Search** ..... D32/35, 53, 53.1;  
206/505-507, 515, 519, 520; 220/657, 659,  
DIG. 12, DIG. 14, 904, 570, 571, 574,  
608, 669, 675, 769, 771, 772; D7/587,  
602, 629; D9/425, 428; D23/278, 284;  
D24/123; 4/619, 621, 622, 628

(56) **References Cited**

**U.S. PATENT DOCUMENTS**

193,116 A \* 7/1877 Hamilton ..... 220/657  
791,274 A \* 5/1905 Lewis ..... 4/628

875,944 A \* 1/1908 Nash ..... 220/571  
D71,003 S \* 9/1926 Carlson ..... D32/35  
3,775,779 A \* 12/1973 Kohler ..... 4/628  
4,024,590 A \* 5/1977 Wendt ..... 4/628  
D296,948 S \* 7/1988 Fuller ..... D32/53  
5,392,948 A \* 2/1995 McEntee ..... 220/669

\* cited by examiner

*Primary Examiner*—Alan P. Douglas

*Assistant Examiner*—Lavone Tabor

(74) *Attorney, Agent, or Firm*—Ostrolenk, Faber, Gerb &  
Soffen, LLP

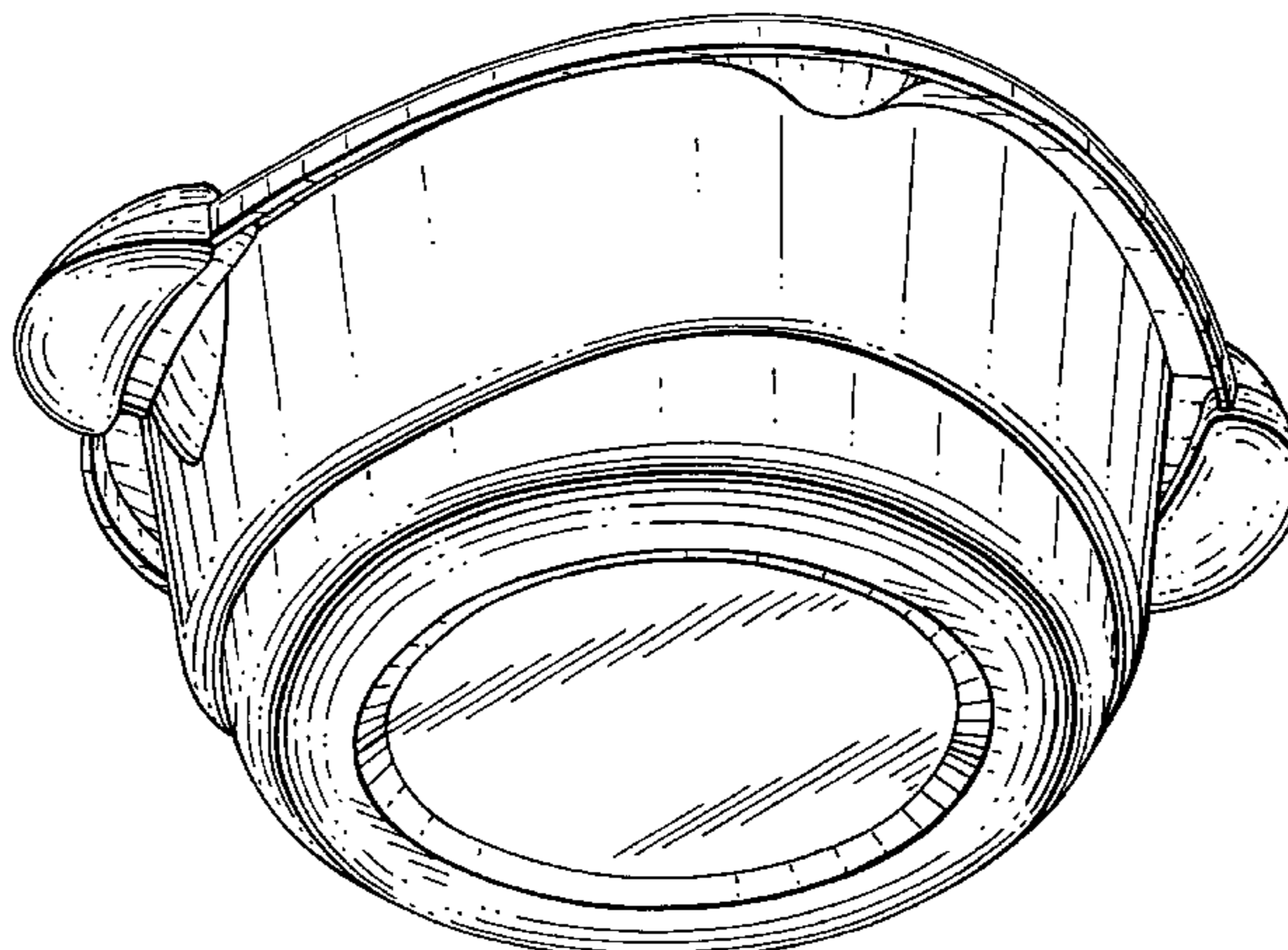
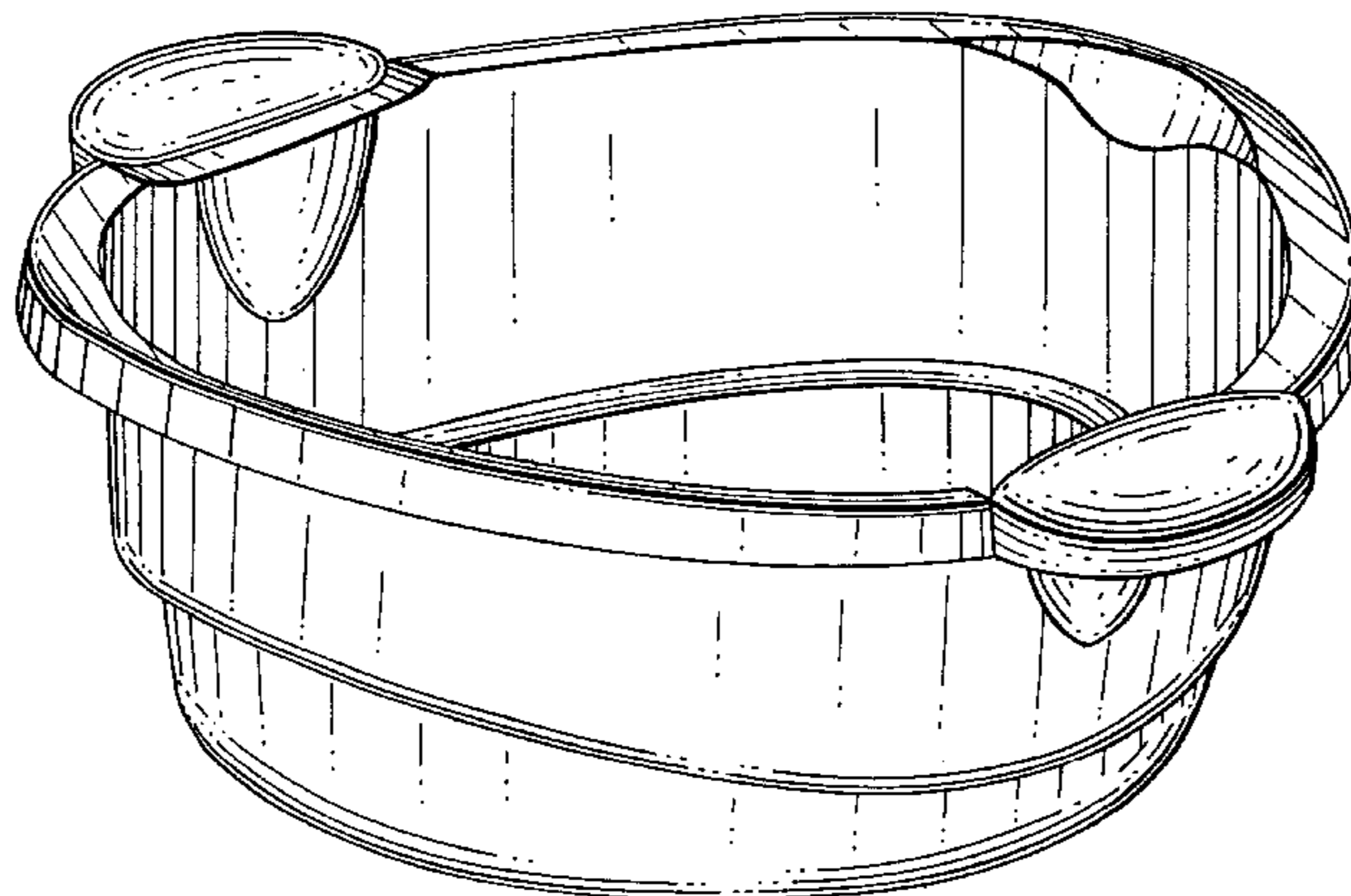
(57) **CLAIM**

The ornamental design for a washbowl, as shown and  
described.

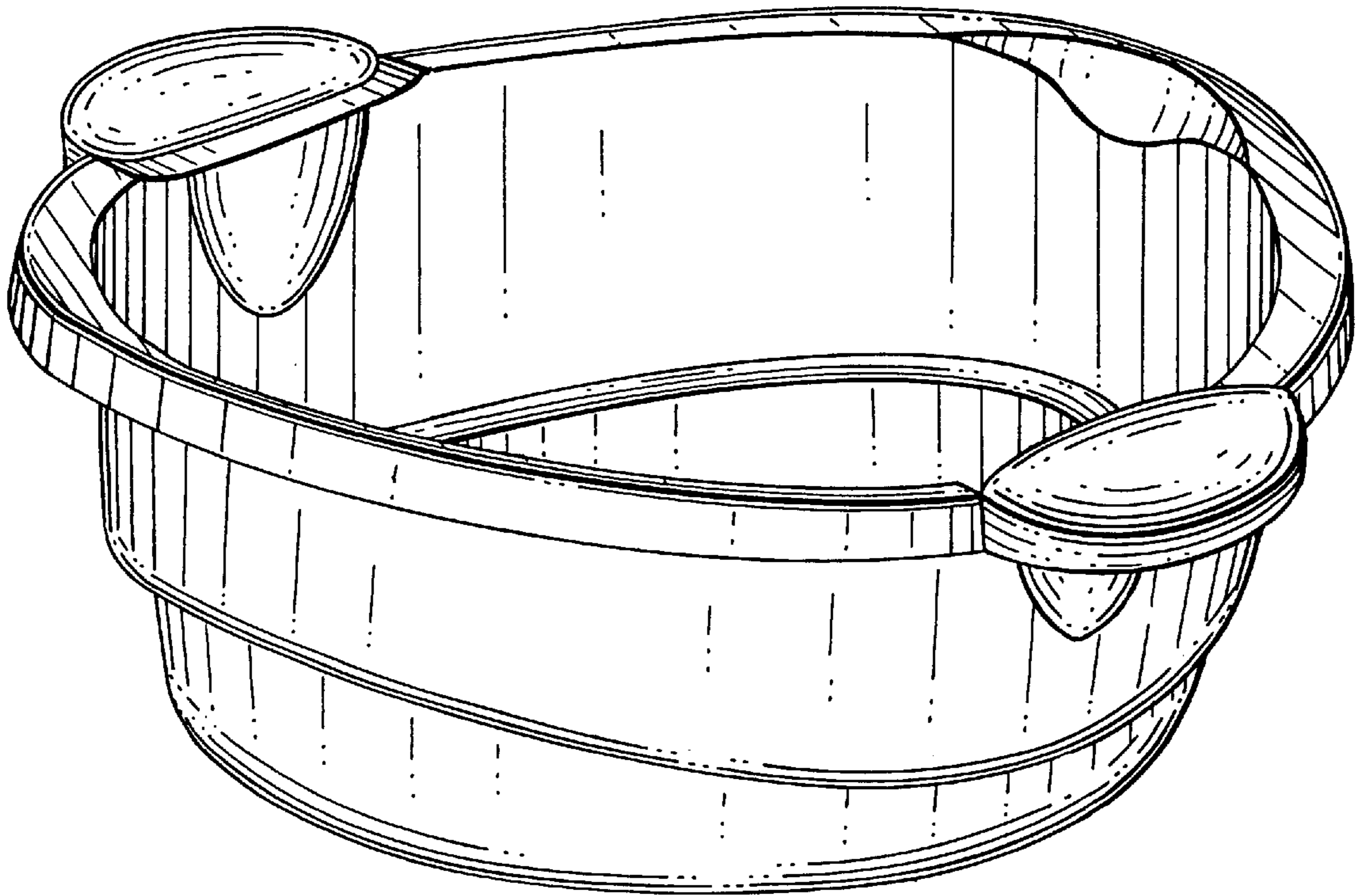
**DESCRIPTION**

FIG. 1 is a top perspective view of a washbowl showing my  
new design;  
FIG. 2 is a bottom perspective view thereof;  
FIG. 3 is a side view of the washbowl, the opposite side view  
being identical;  
FIG. 4 is a front view of the washbowl, the rear view being  
identical; and,  
FIG. 5 is a top view of the washbowl.

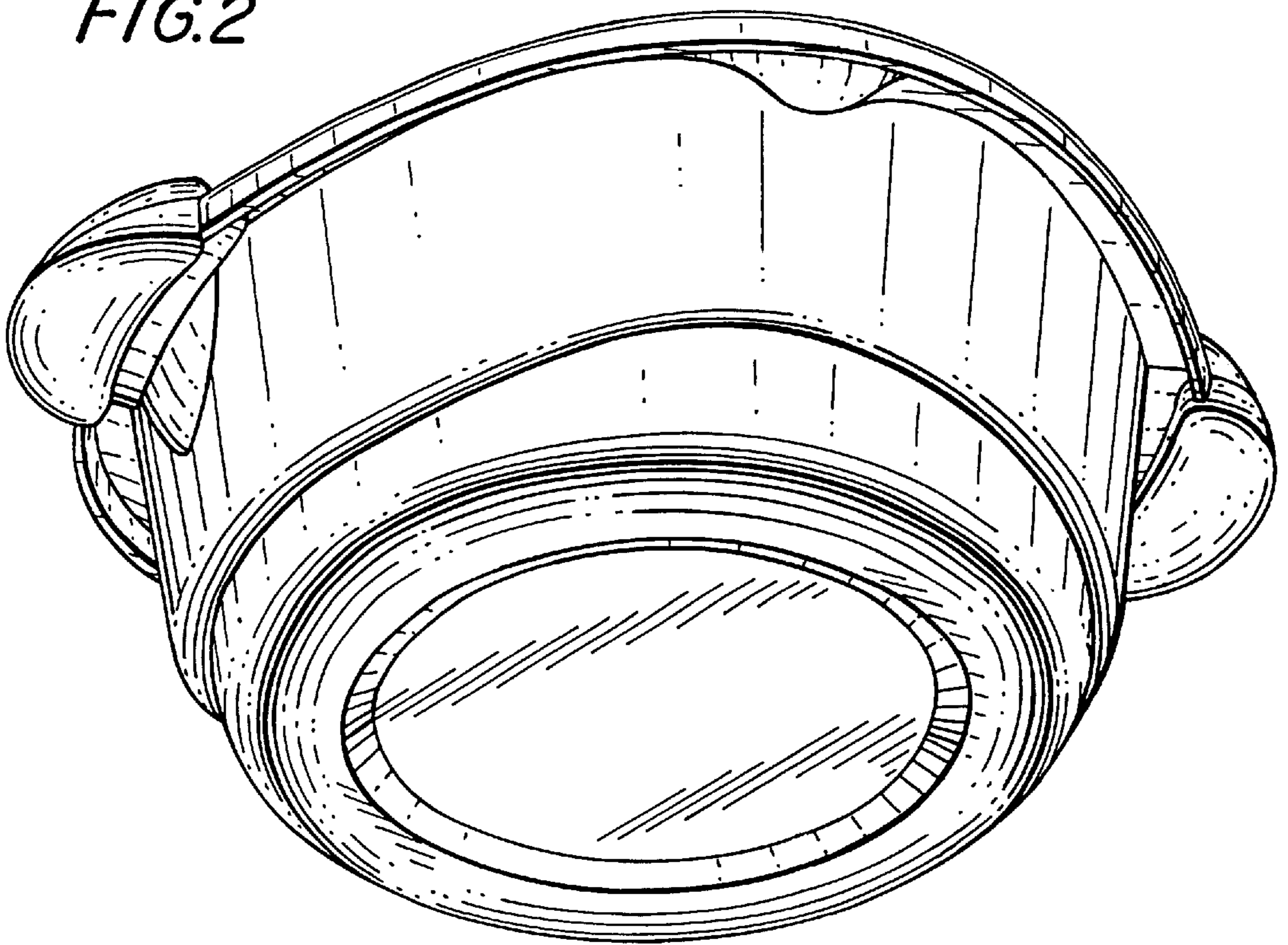
**1 Claim, 2 Drawing Sheets**



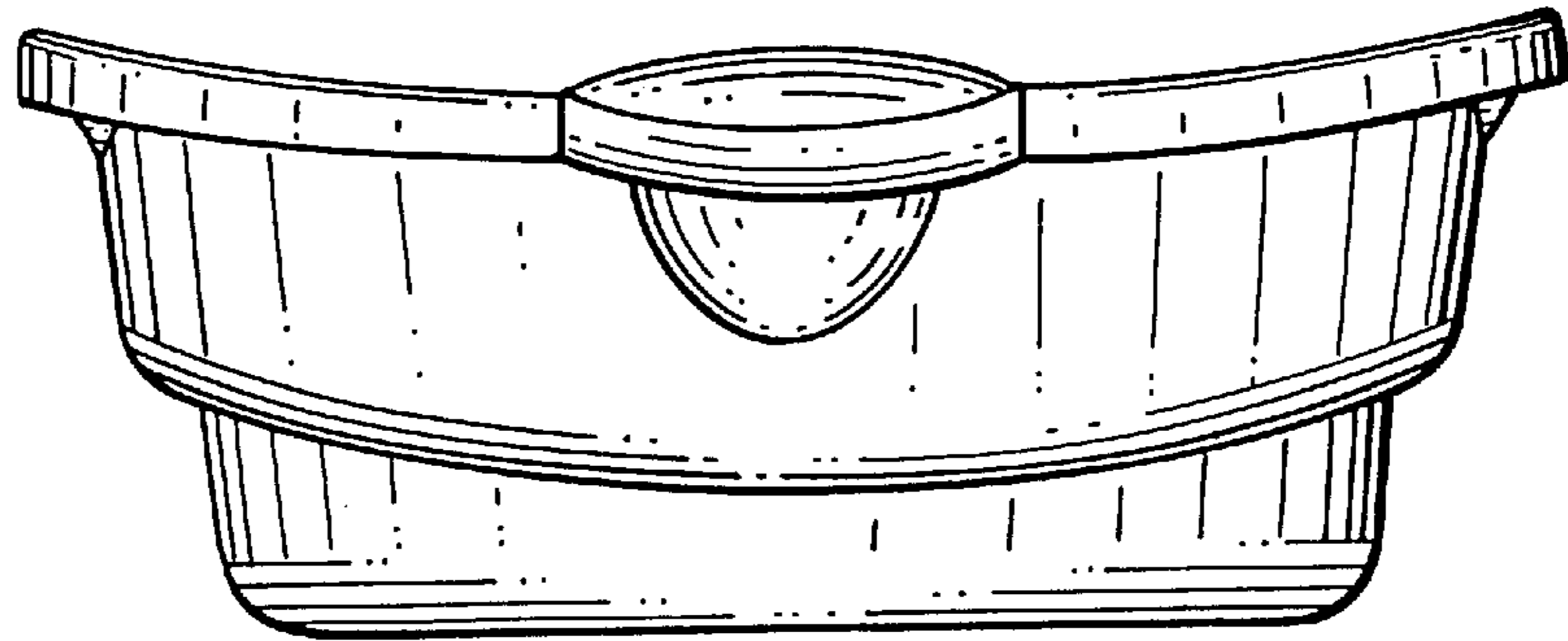
*FIG. 1*



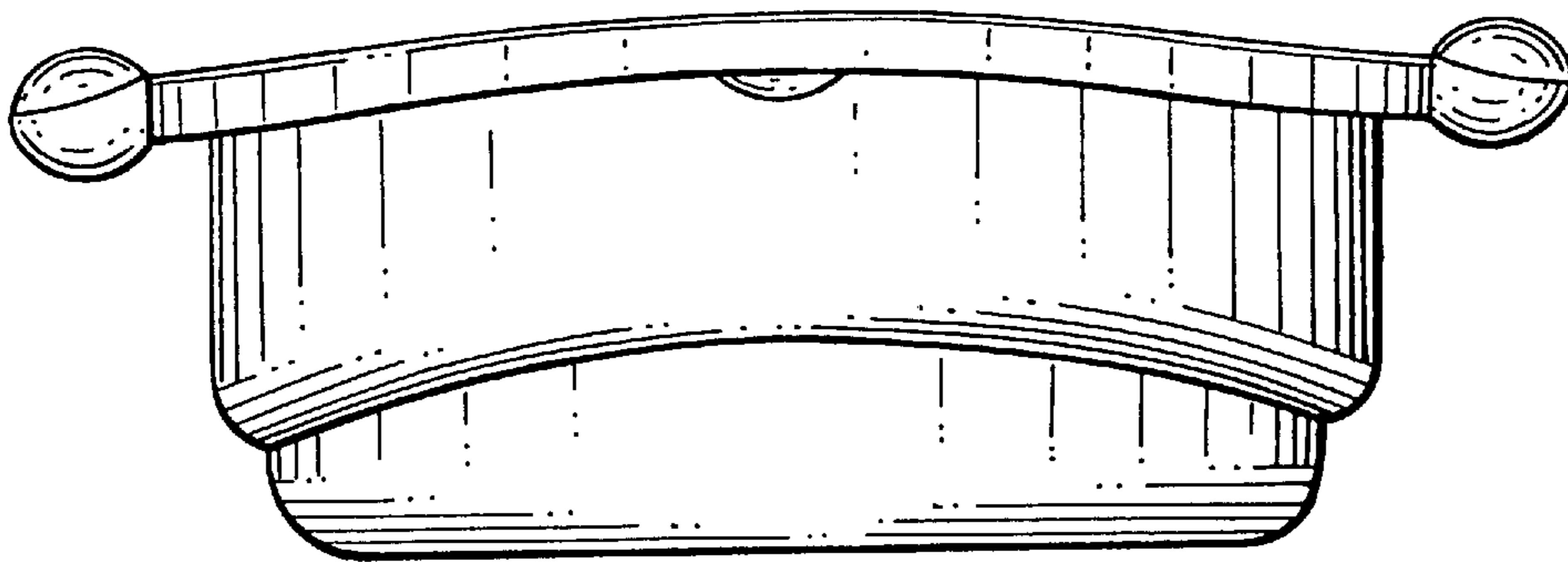
*FIG. 2*



*FIG.3*



*FIG.4*



*FIG.5*

