



US00D465880S

(12) **United States Design Patent**  
**Smith**

(10) **Patent No.:** **US D465,880 S**

(45) **Date of Patent:** **\*\* Nov. 19, 2002**

(54) **CIGARETTE LIGHTER**

D405,918 S \* 2/1999 Motobayashi ..... D27/157  
D413,180 S \* 8/1999 Maruyama ..... D27/141

(75) Inventor: **Andrew D. Smith**, Pascoag, RI (US)

\* cited by examiner

(73) Assignee: **Colibri Corporation**, Providence, RI (US)

*Primary Examiner*—Jennifer Rivard  
(74) *Attorney, Agent, or Firm*—Salter & Michaelson

(\*\*) Term: **14 Years**

(57) **CLAIM**

(21) Appl. No.: **29/156,979**

The ornamental design for a cigarette lighter, as shown.

(22) Filed: **Mar. 11, 2002**

**DESCRIPTION**

(51) **LOC (7) Cl.** ..... **27-05**

(52) **U.S. Cl.** ..... **D27/157**

(58) **Field of Search** ..... D27/141, 142,  
D27/143, 152–155, 157, 159, 160; 431/129,  
130, 132, 142–144, 151, 254–256, 267,  
273–274, 277, 253

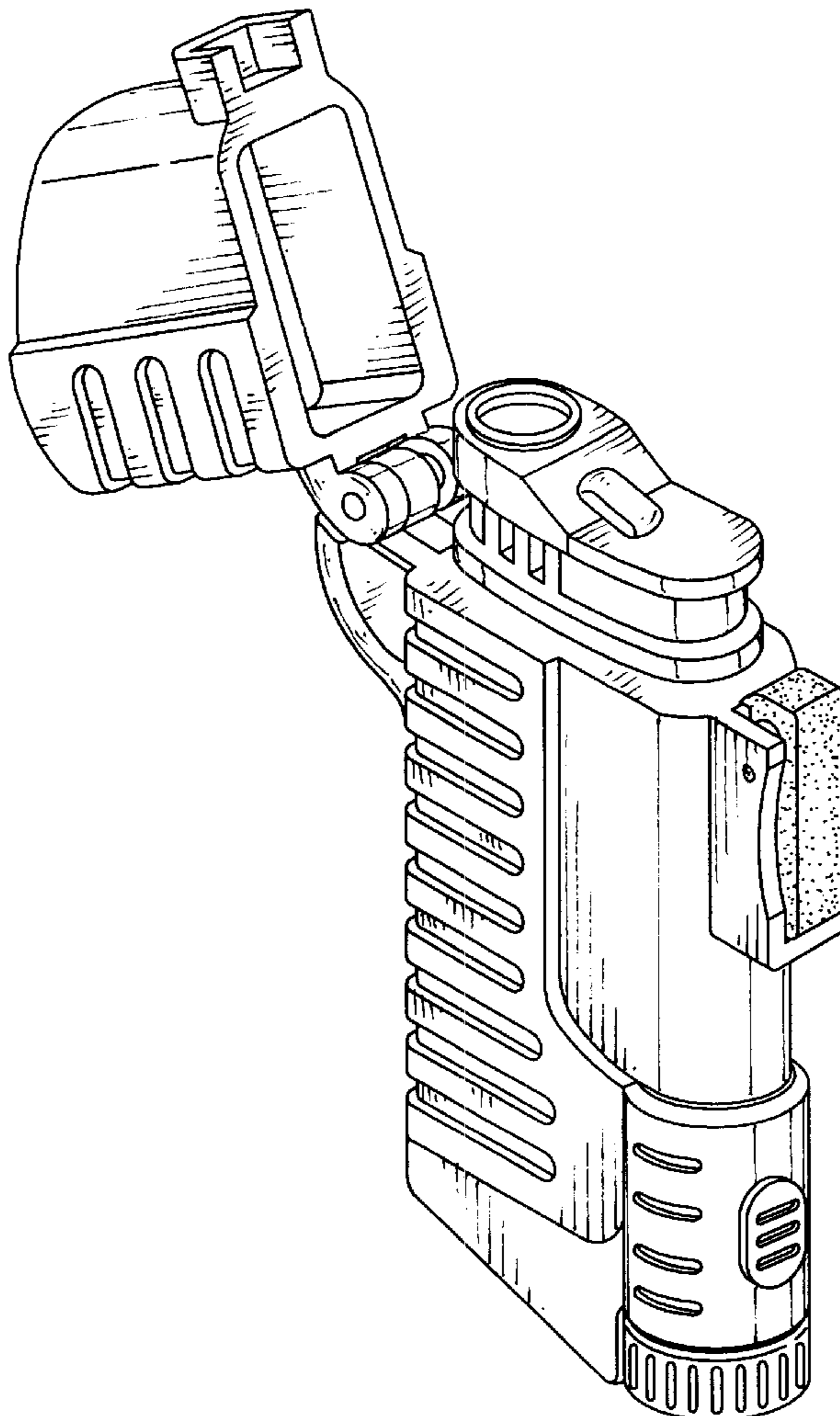
FIG. 1 is a perspective view of a cigarette lighter showing my new design;  
FIG. 2 is a left side elevational view thereof;  
FIG. 3 is a right side elevational view thereof;  
FIG. 4 is a left end elevational view thereof;  
FIG. 5 is a right end elevational view thereof;  
FIG. 6 is a top plan view thereof;  
FIG. 7 is a bottom plan view thereof; and,  
FIG. 8 is a perspective view with the cover in open position.

(56) **References Cited**

**U.S. PATENT DOCUMENTS**

D376,868 S \* 12/1996 Makoto ..... D27/157

**1 Claim, 4 Drawing Sheets**



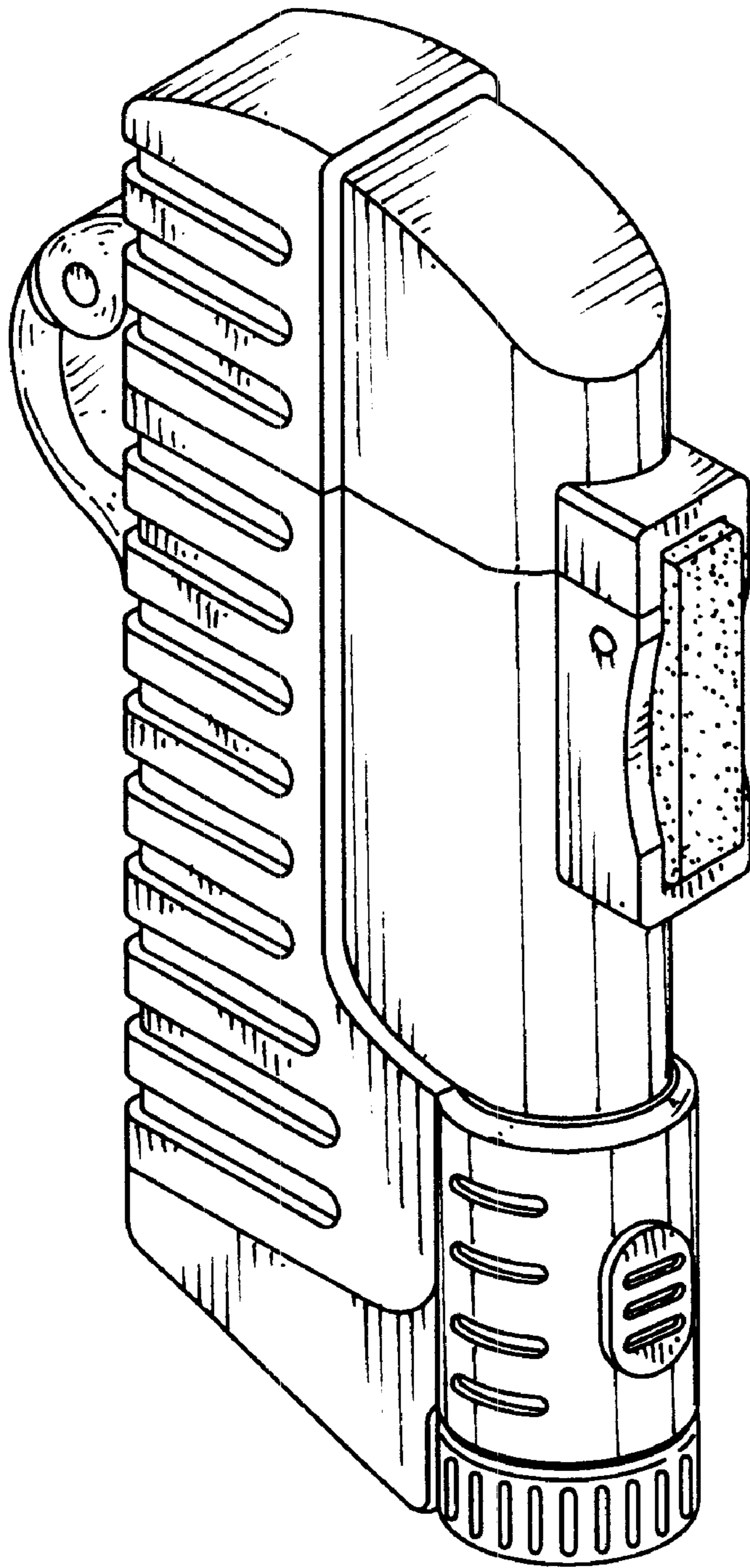


FIG. 1

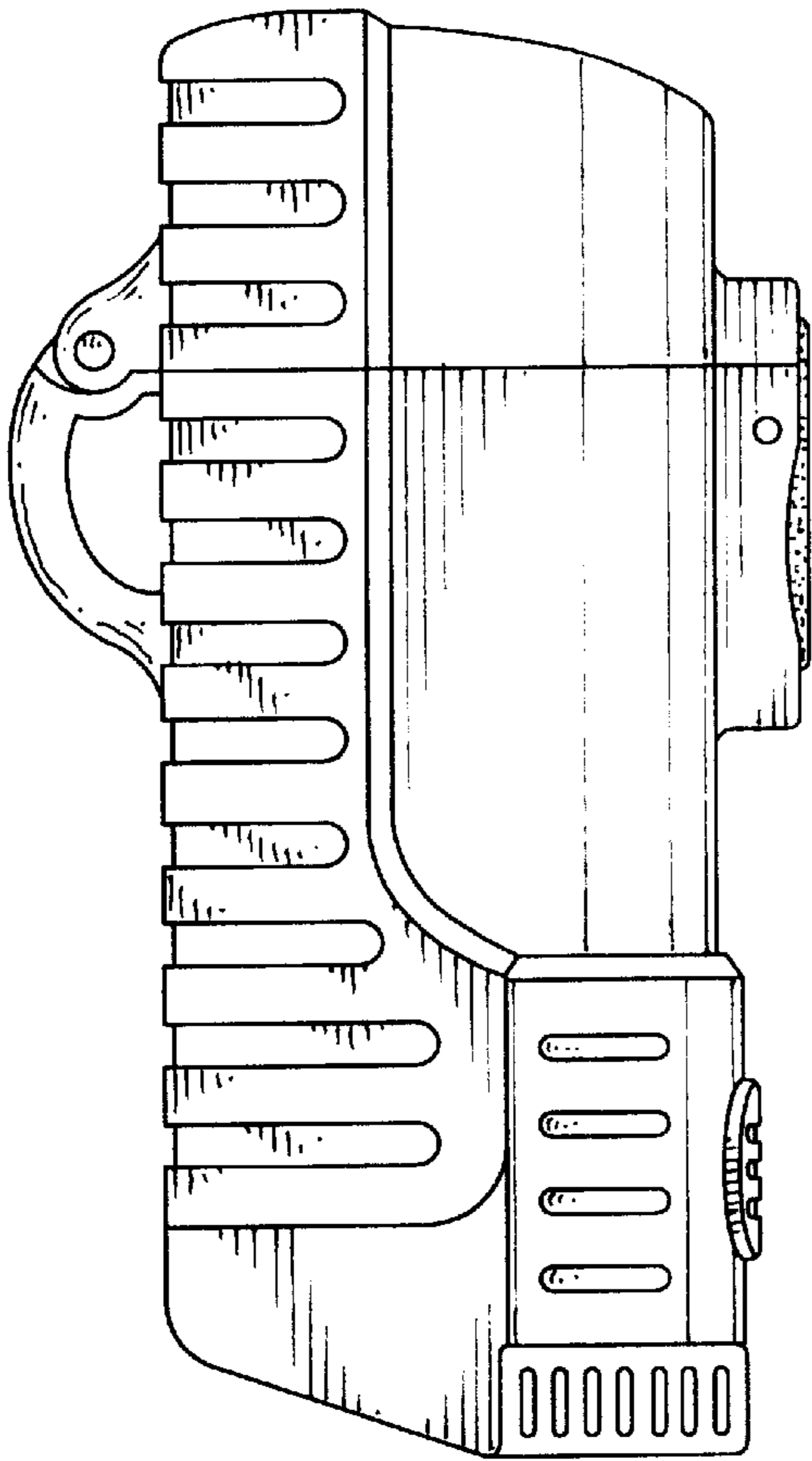


FIG. 2

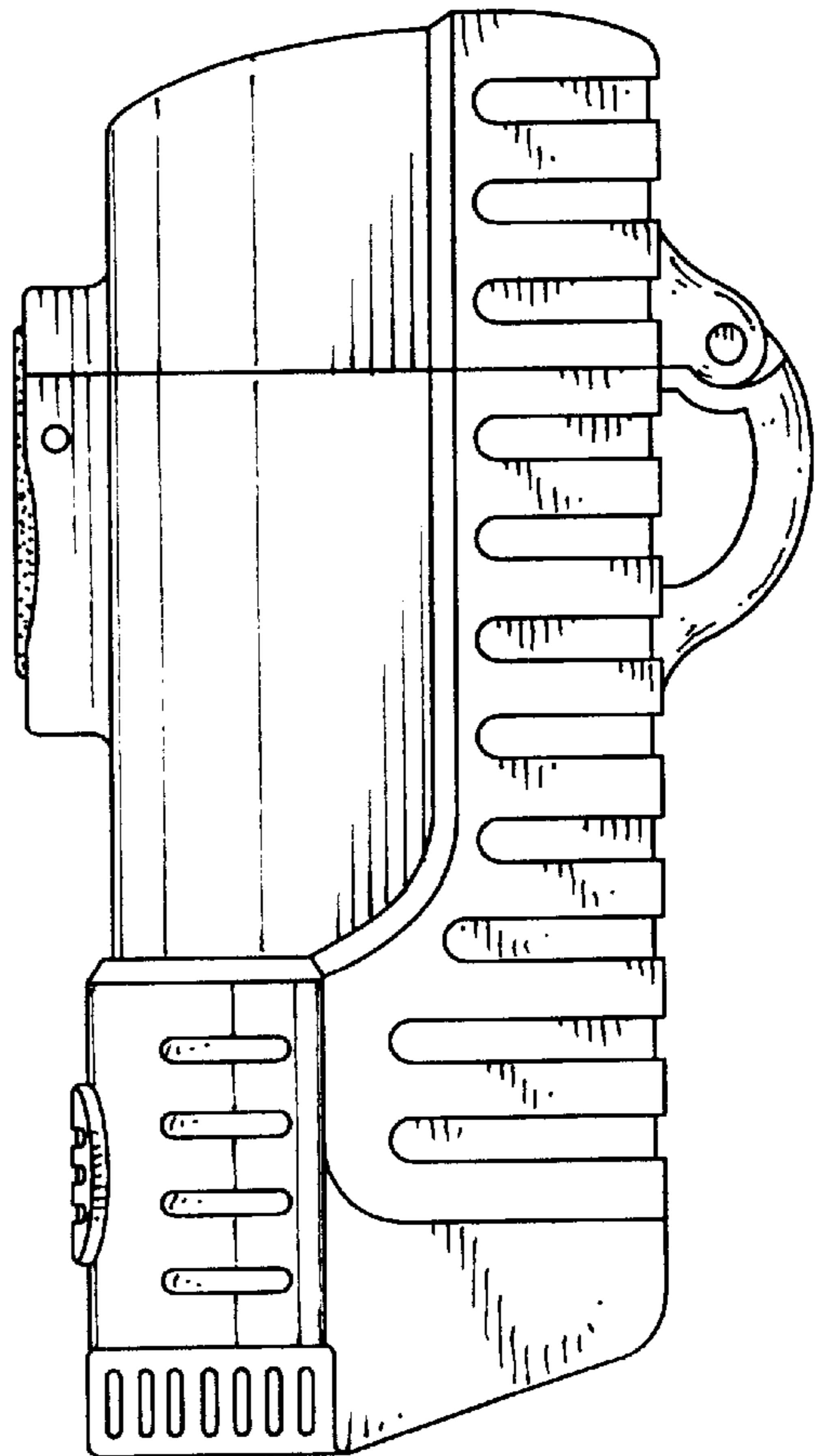


FIG. 3

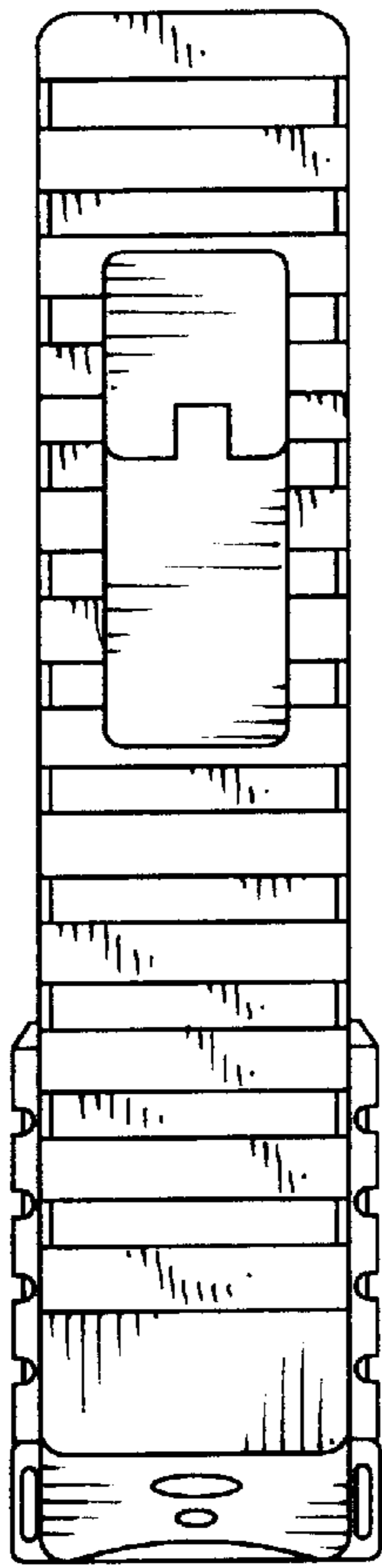


FIG. 4

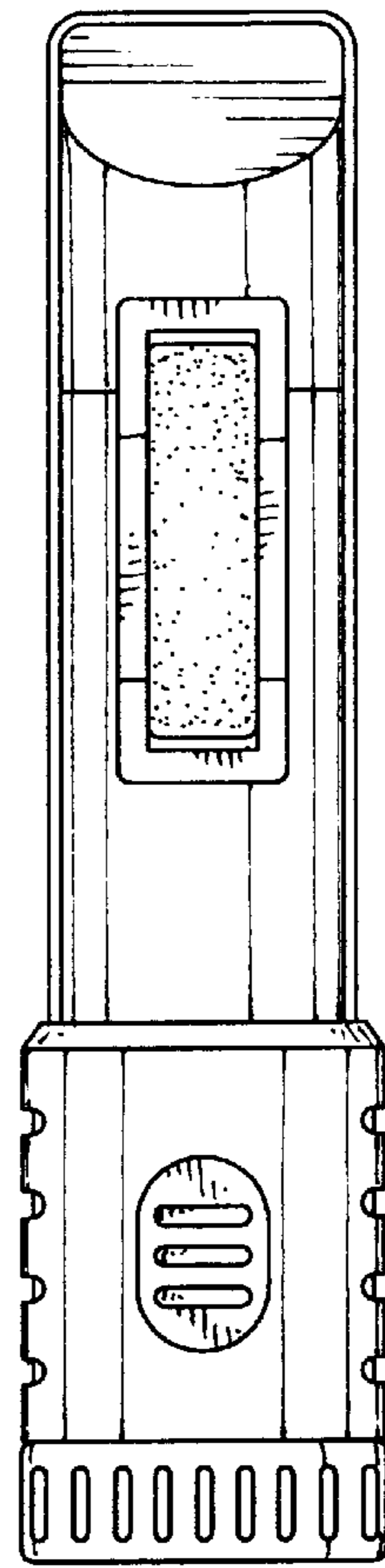


FIG. 5

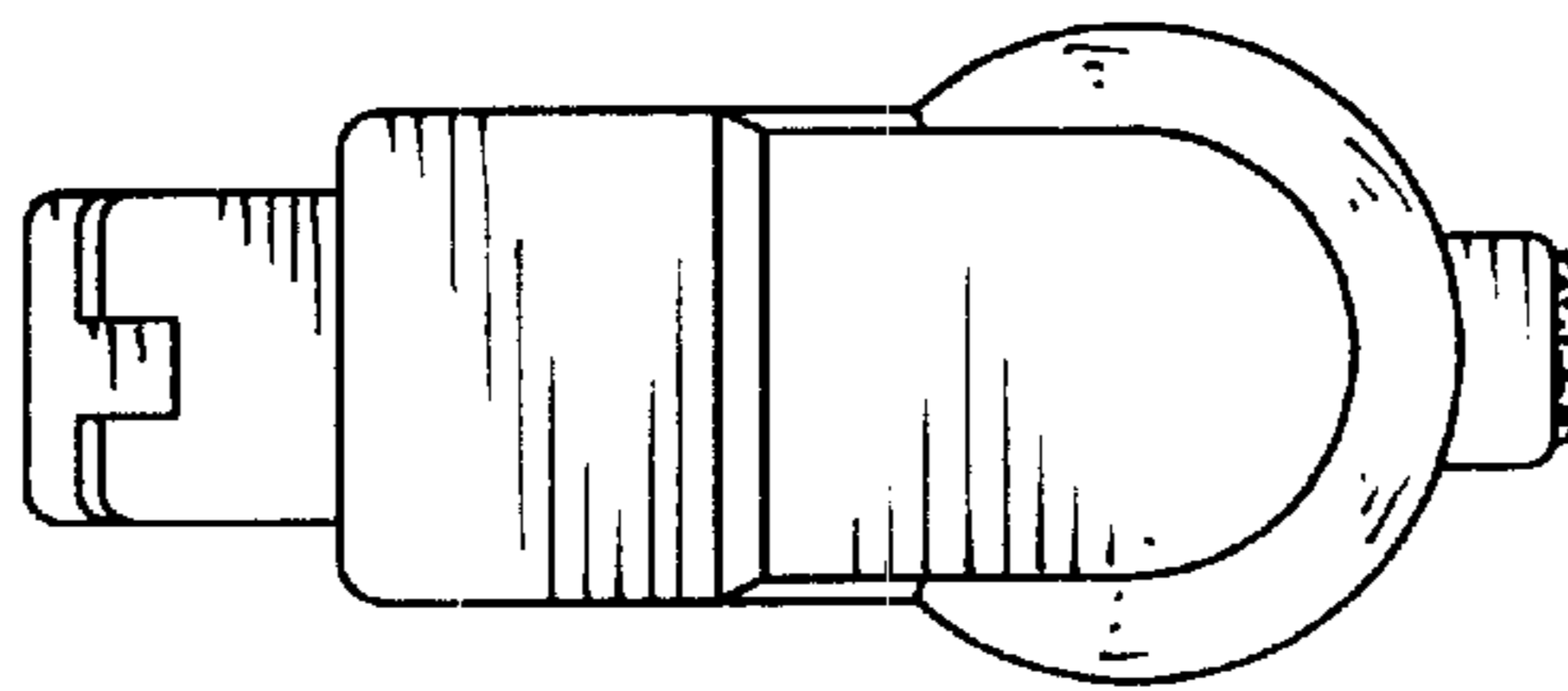


FIG. 6

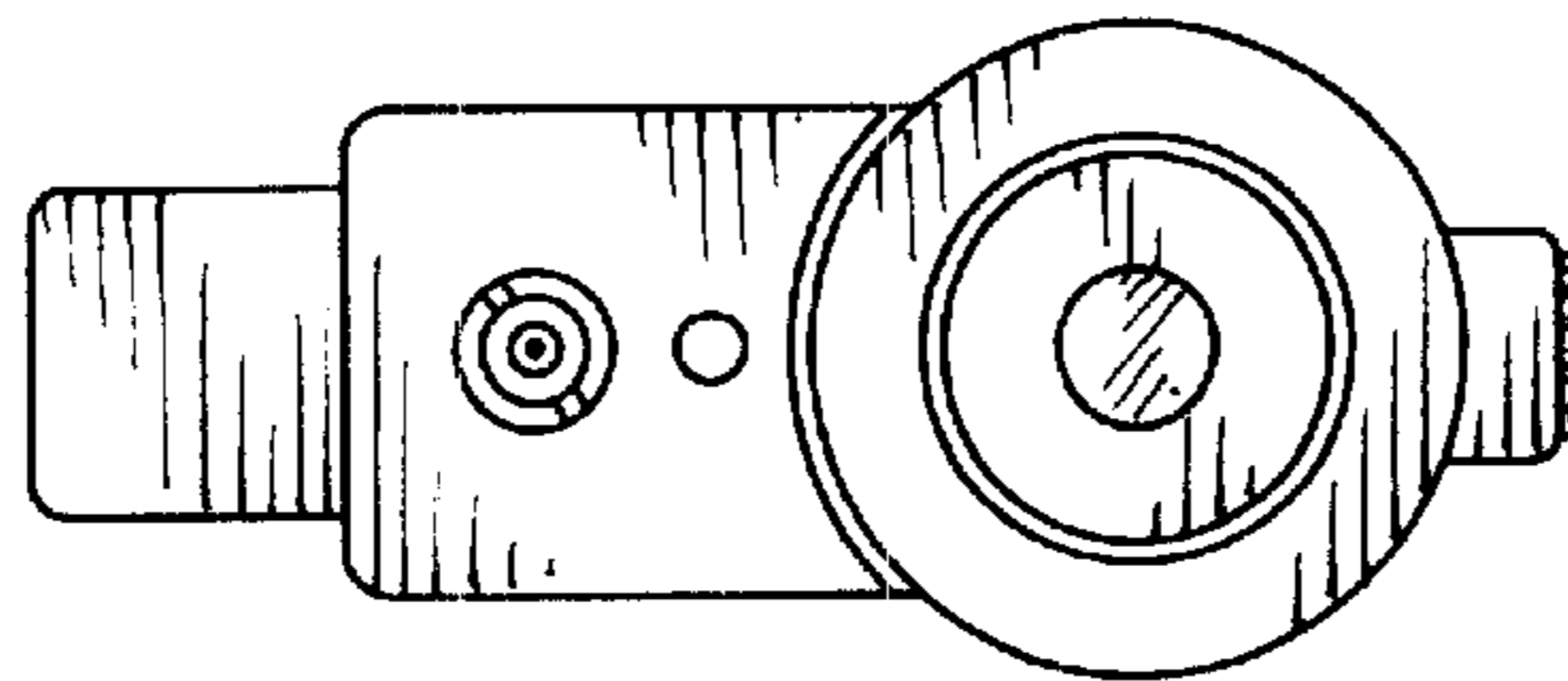


FIG. 7

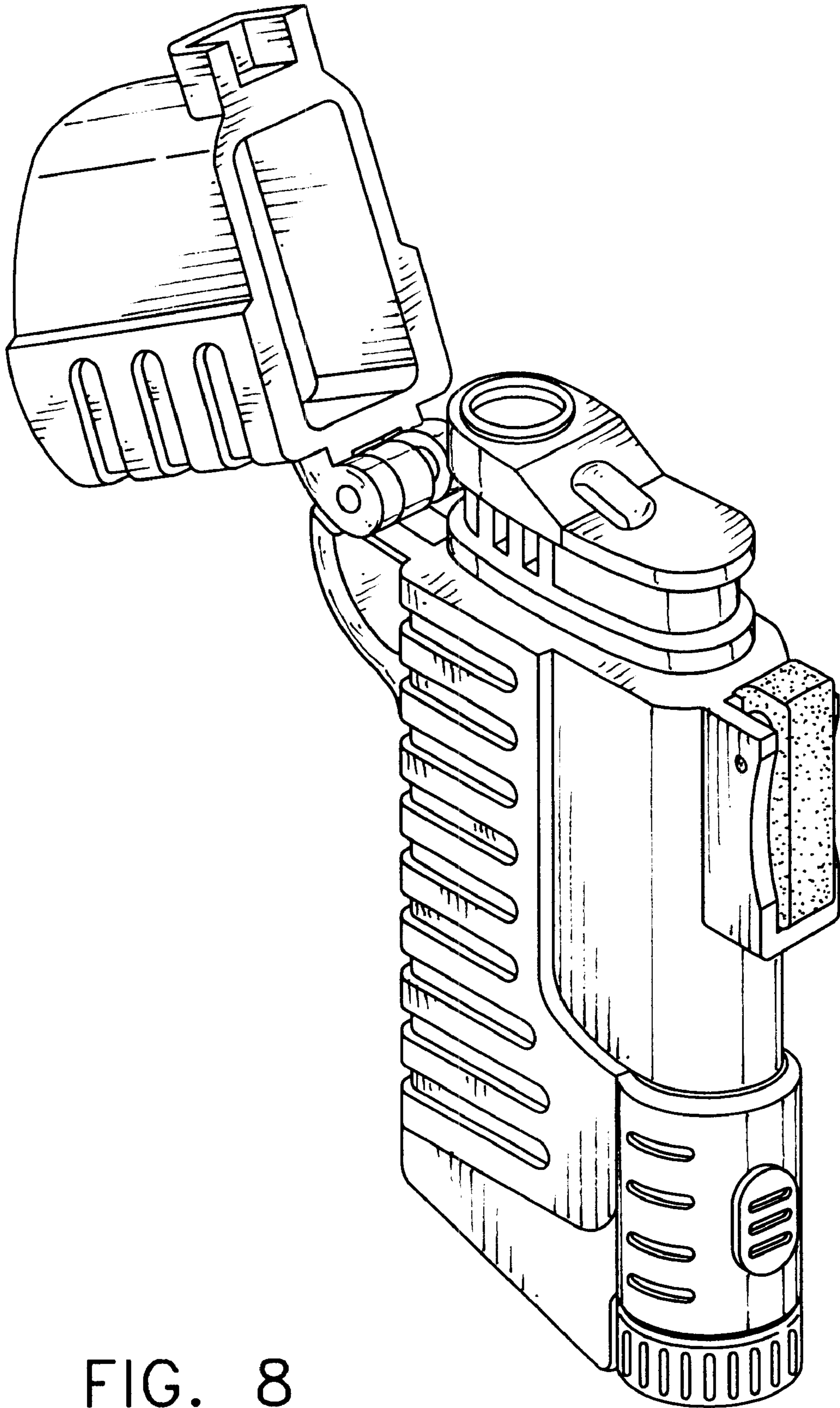


FIG. 8