



US00D465874S

(12) **United States Design Patent**  
**Garvin et al.**

(10) **Patent No.:** **US D465,874 S**

(45) **Date of Patent:** **\*\* Nov. 19, 2002**

(54) **DECORATIVE ETCHED GLASS BLOCK LAMP**

D346,665 S 5/1994 Aldridge  
5,333,427 A 8/1994 Uhlik  
D362,310 S 9/1995 Fleming et al.  
5,820,233 A \* 10/1998 Hahn ..... 312/114  
D411,634 S \* 6/1999 Connelly ..... D26/104

(76) Inventors: **Beccy A. Garvin**, 4437 NW. 19<sup>TH</sup>,  
Oklahoma City, OK (US) 73107;  
**Donna L. Coleman**, 4437 NW. 19TH,  
Oklahoma City, OK (US) 73107

\* cited by examiner

(\*\*) Term: **14 Years**

*Primary Examiner*—Alan P. Douglas  
*Assistant Examiner*—Linda Brooks  
(74) *Attorney, Agent, or Firm*—Randal D. Homburg

(21) Appl. No.: **29/147,410**

(22) Filed: **Aug. 30, 2001**

(57) **CLAIM**

(51) **LOC (7) Cl.** ..... **26-03**

(52) **U.S. Cl.** ..... **D26/104**

(58) **Field of Search** ..... D26/93-112, 58;  
D25/103-118; 362/125, 127, 133, 134,  
154, 362, 410-414, 806; 40/554, 564, 743,  
714-716, 737; 312/114, 204, 223.5; D6/399,  
470, 308, 314; 52/306, 308

The ornamental design for a decorative etched glass block lamp, as shown and described.

**DESCRIPTION**

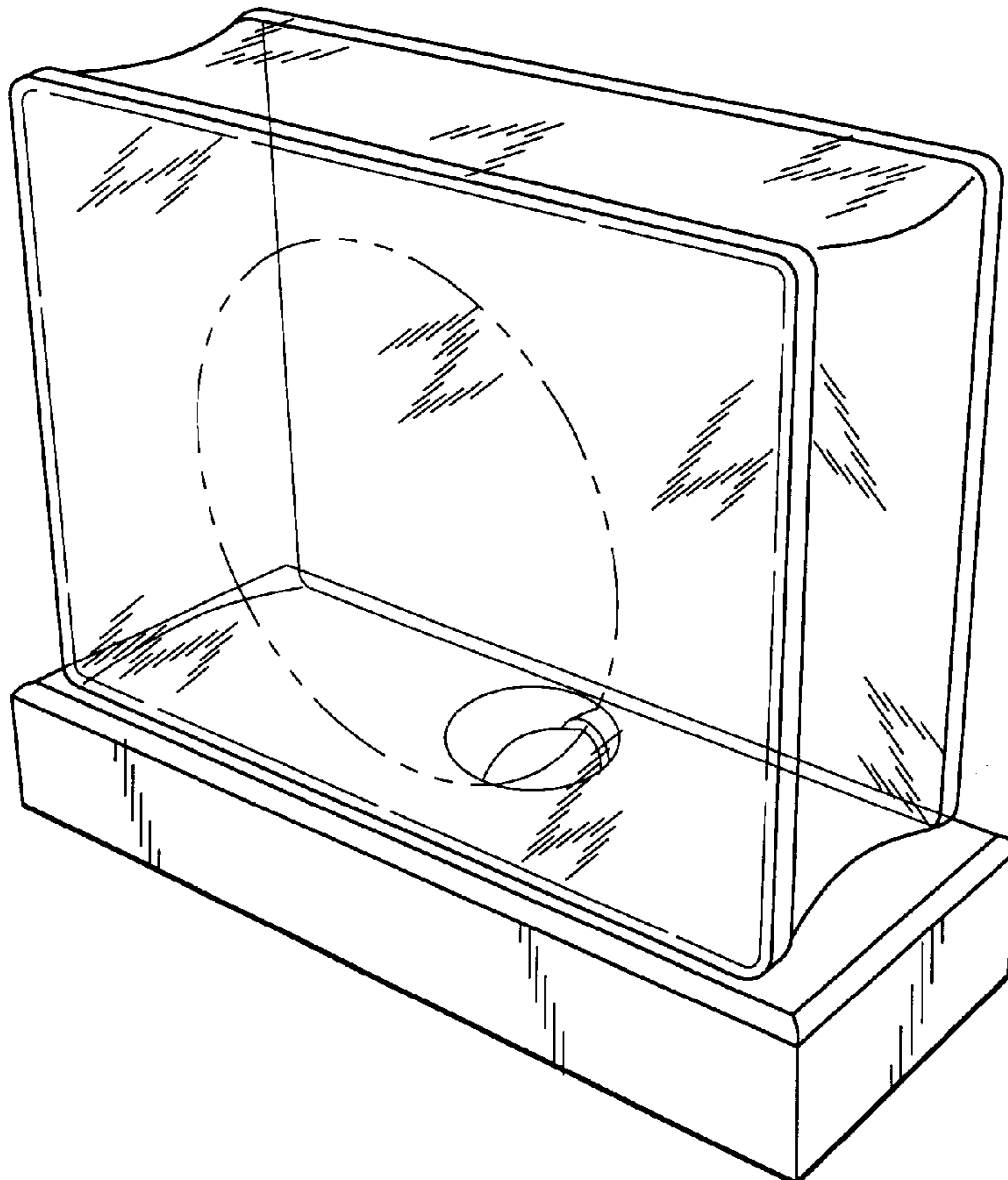
(56) **References Cited**

**U.S. PATENT DOCUMENTS**

2,023,260 A \* 12/1935 Beers et al. .... 312/114  
4,969,282 A 11/1990 Eberhart  
5,006,967 A 4/1991 Diamond  
5,160,566 A 11/1992 Ashby et al.

FIG. 1 is a perspective view of the invention.  
FIG. 2 is a front view of the invention.  
FIG. 3 is a rear view of the invention.  
FIG. 4 is a top view of the invention.  
FIG. 5 is a bottom view of the invention.  
FIG. 6 is a first side view of the invention; and,  
FIG. 7 is a second side view of the invention.  
In addition, the broken lines shown in FIGS. 1-3 are for illustrative purposes only and form no part of the claimed design.

**1 Claim, 3 Drawing Sheets**



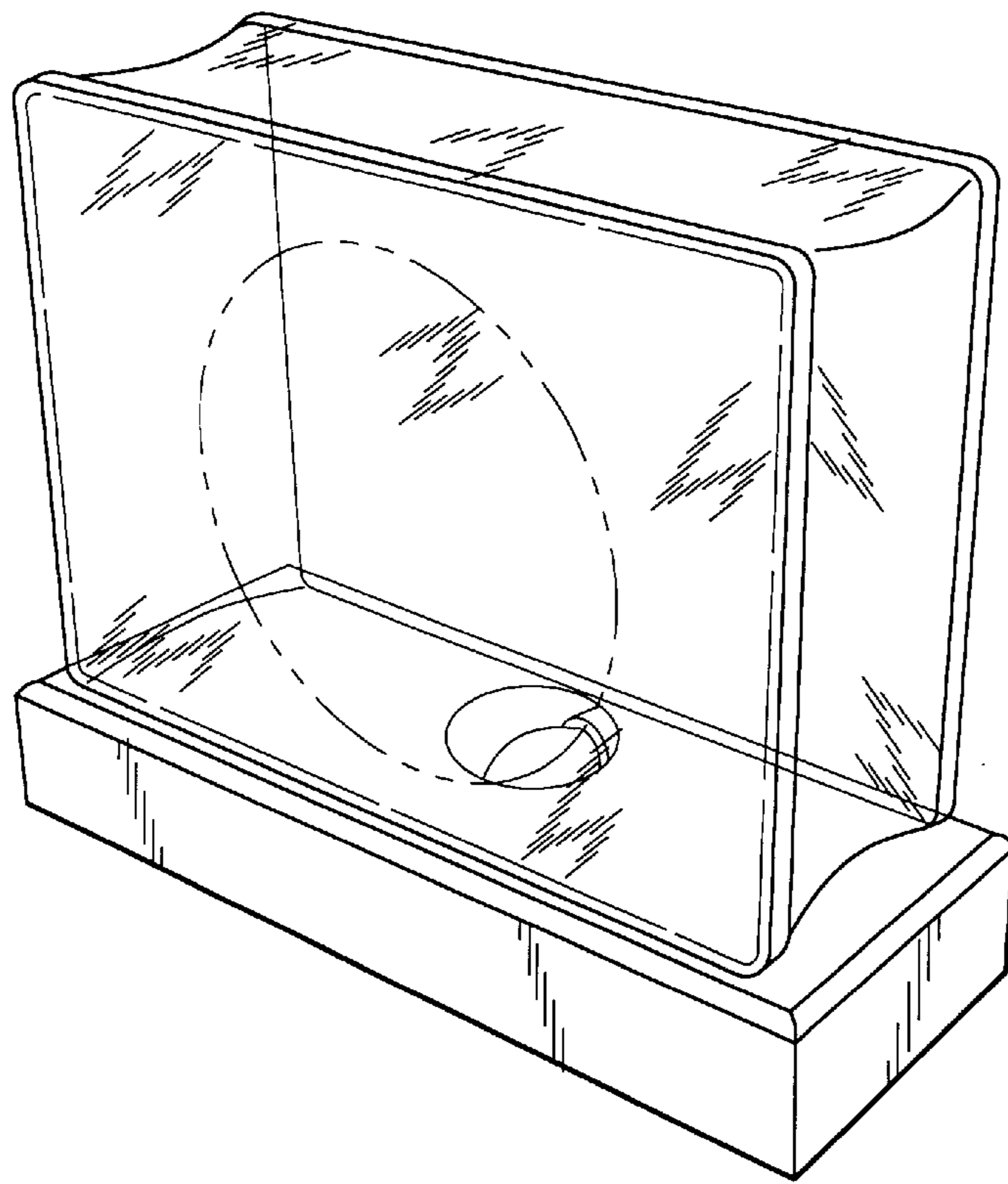


FIG. 1

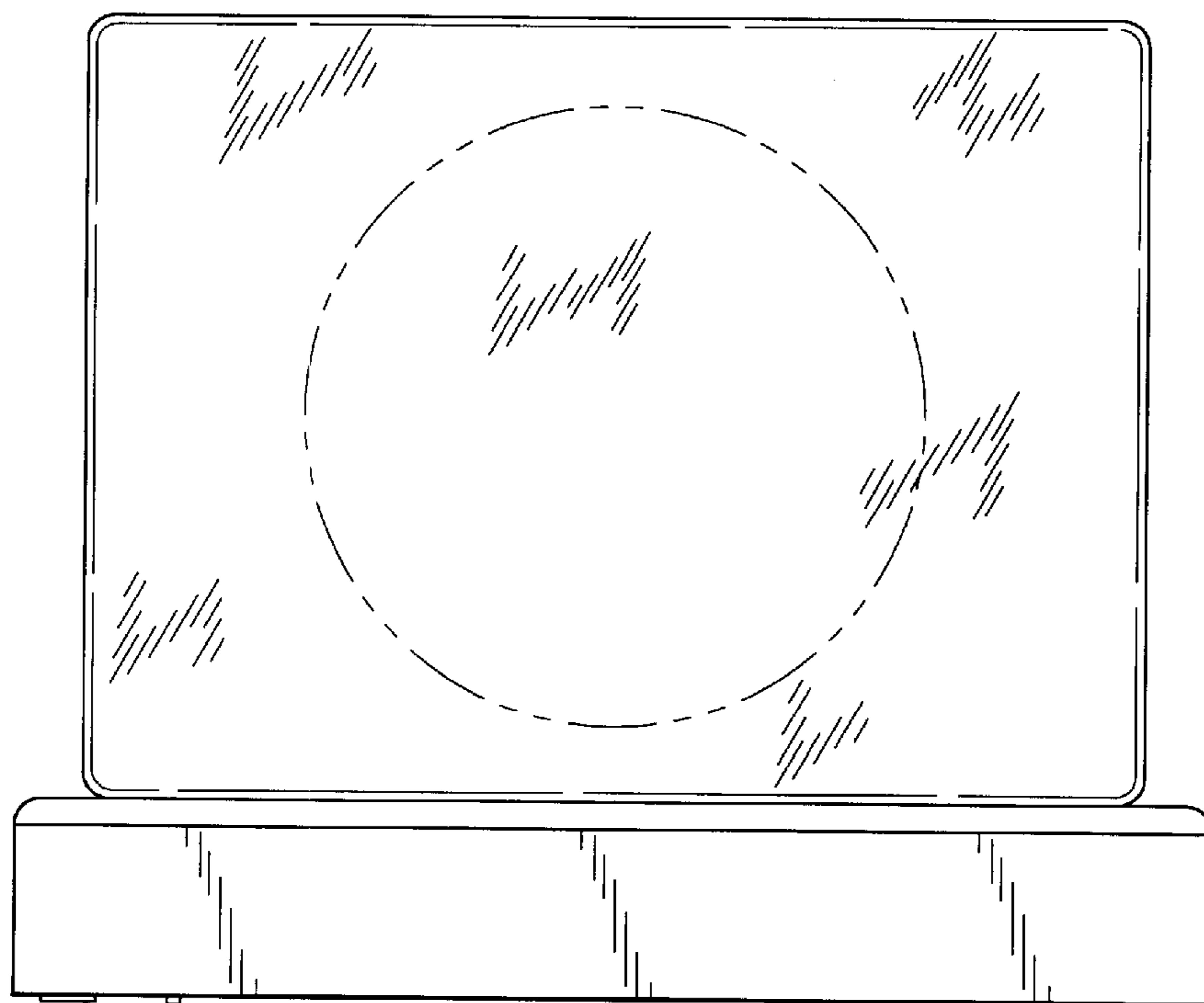


FIG. 2

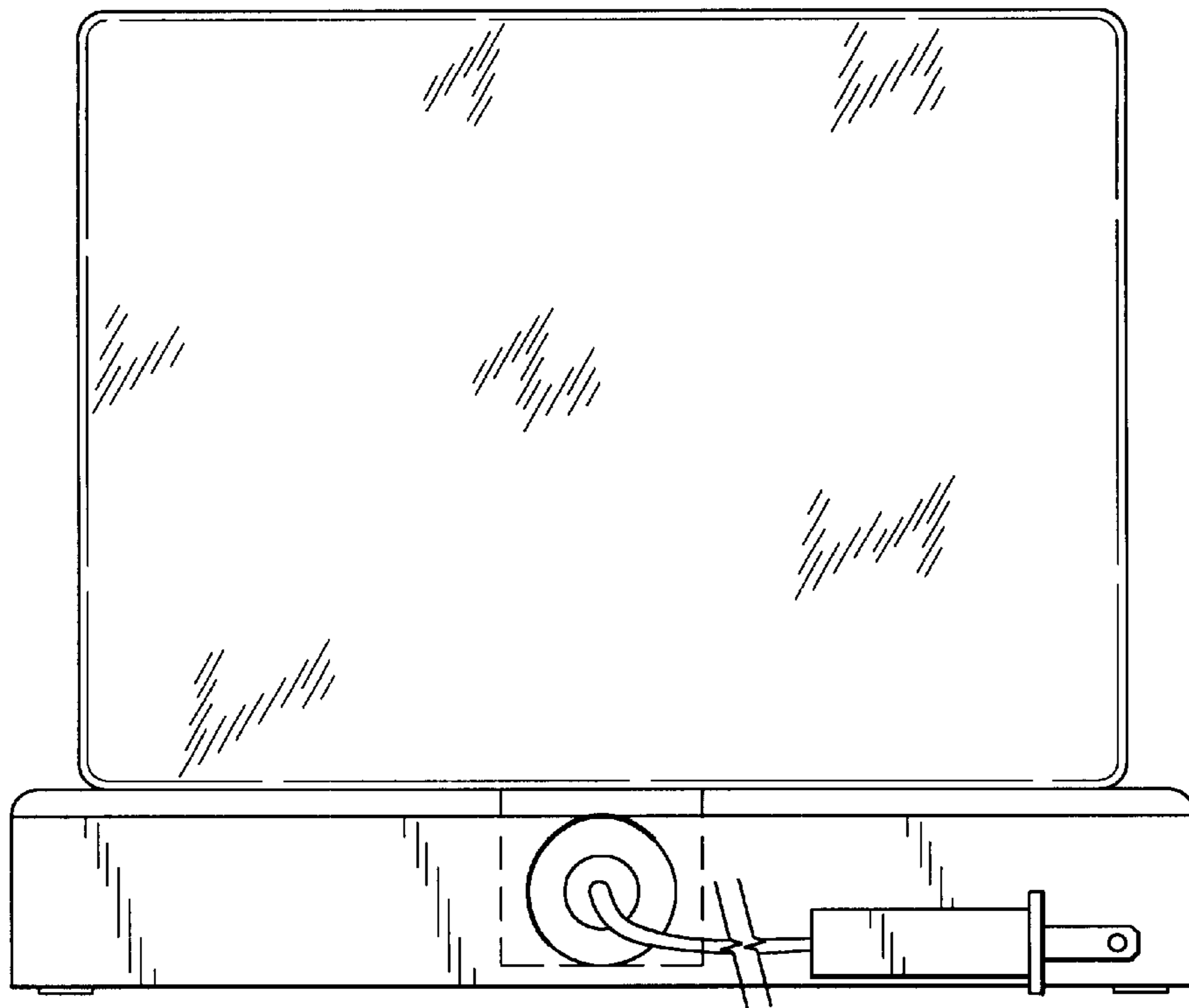


FIG. 3

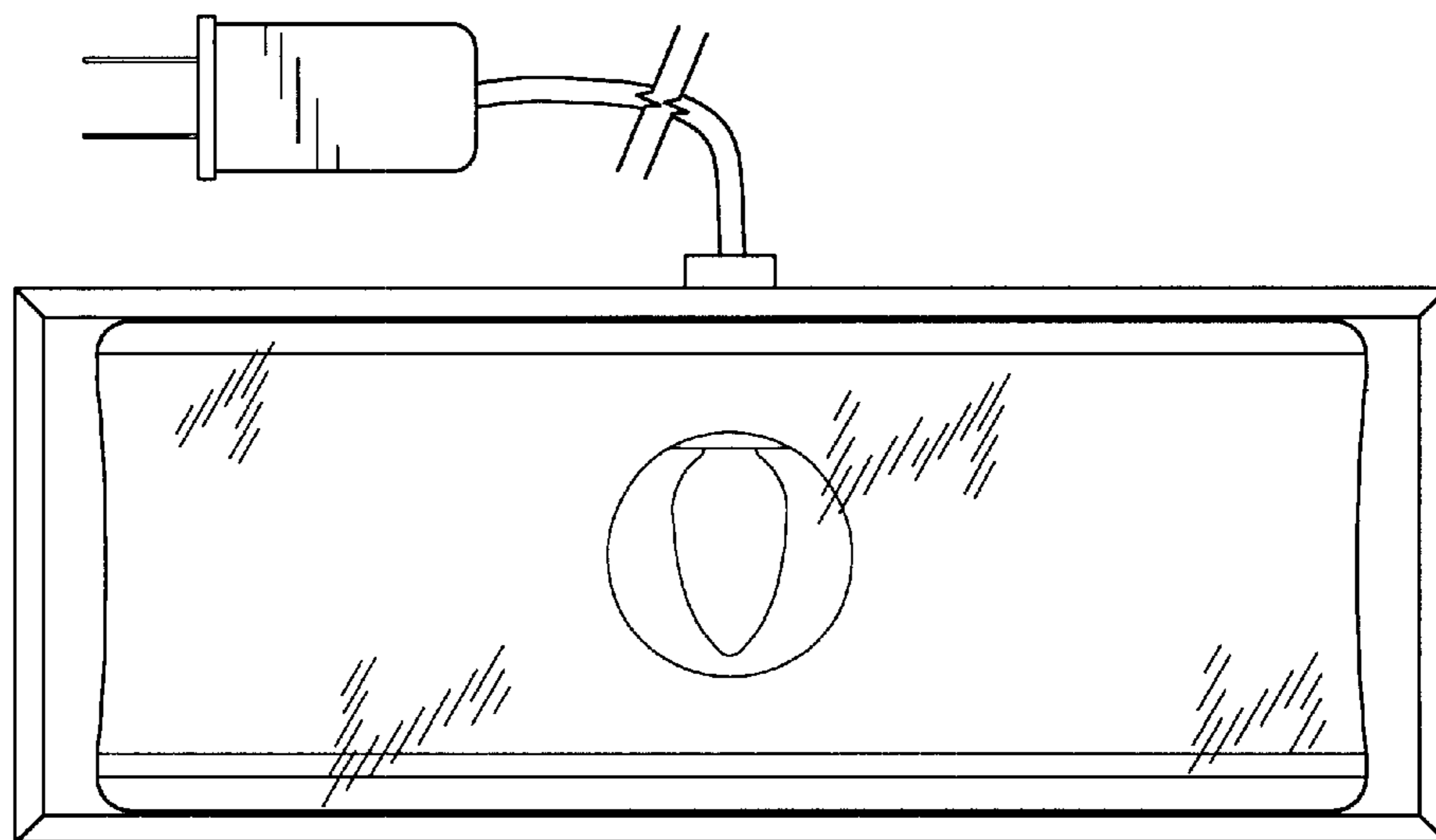


FIG. 4

