



US00D465872S

(12) **United States Design Patent**  
**Cacaci**

(10) **Patent No.:** **US D465,872 S**

(45) **Date of Patent:** **\*\* Nov. 19, 2002**

(54) **LAMP**

(75) **Inventor:** **Andrea Cacaci, Milan (IT)**

(73) **Assignee:** **Artemide S.p.A., Milan (IT)**

(\*\*) **Term:** **14 Years**

(21) **Appl. No.:** **29/129,517**

(22) **Filed:** **Sep. 15, 2000**

(30) **Foreign Application Priority Data**

Mar. 17, 2000 (IT) ..... TO0000066

(51) **LOC (7) Cl.** ..... **26-03**

(52) **U.S. Cl.** ..... **D26/90**

(58) **Field of Search** ..... D26/72, 80-92,  
D26/142-144, 152, 155; 362/147, 404-408,  
432

(56) **References Cited**

**U.S. PATENT DOCUMENTS**

D45,539 S \* 3/1914 Meyers  
D87,213 S \* 6/1932 Hoffmann

D264,136 S \* 4/1982 Castiglioni ..... D26/85  
D399,020 S \* 9/1998 Lo ..... D26/90  
D445,941 S \* 7/2001 Schaefer et al. .... D26/85

**OTHER PUBLICATIONS**

Home lighting and Accessories; Jun. 1998; p. 20; lamp in lower left photo.\*

\* cited by examiner

*Primary Examiner*—Alan P. Douglas

*Assistant Examiner*—Clare E. Heflin

(74) *Attorney, Agent, or Firm*—Pitney, Hardin, Kipp & Szuch LLP

(57) **CLAIM**

The ornamental design for a lamp, substantially, as shown.

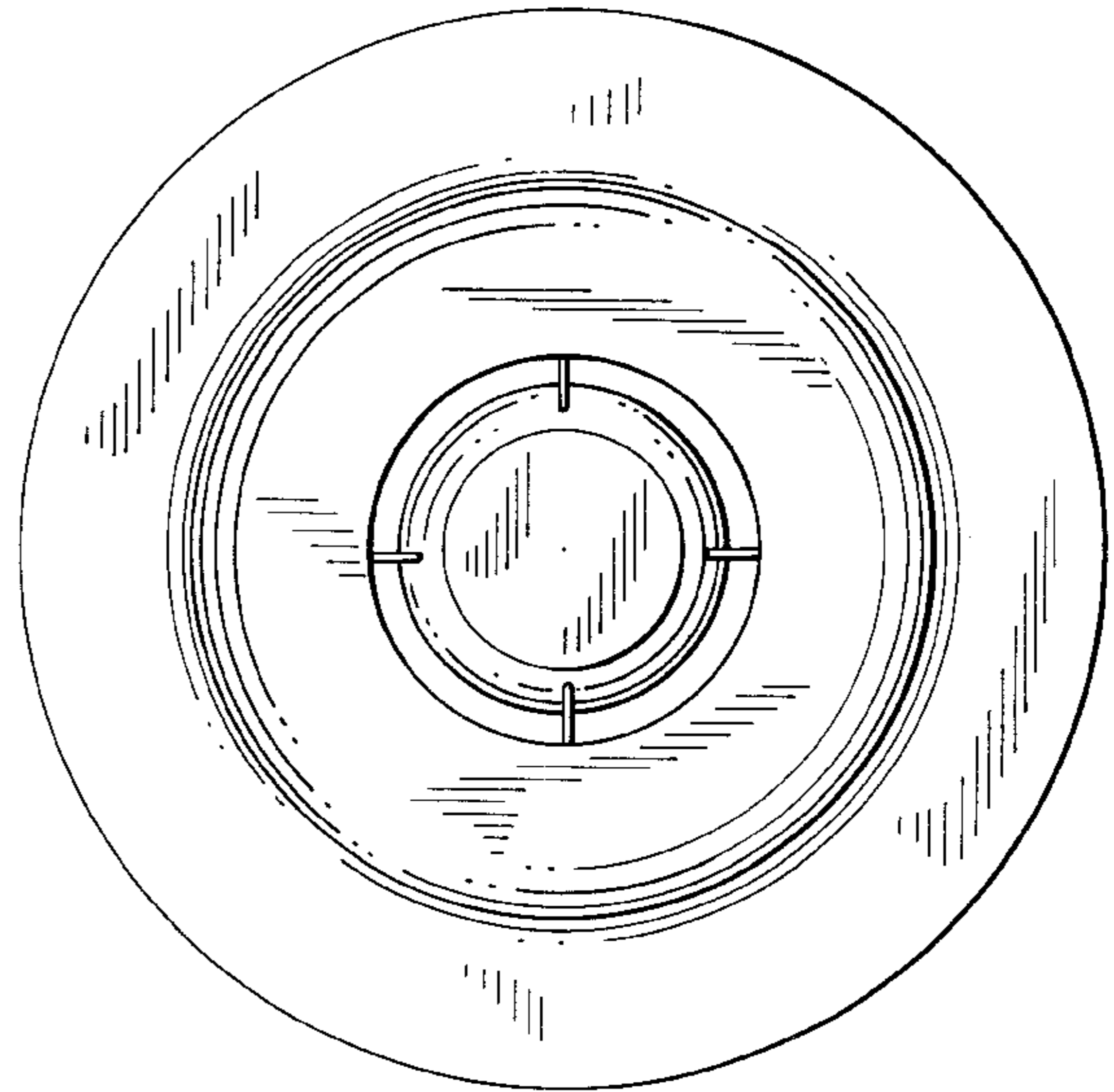
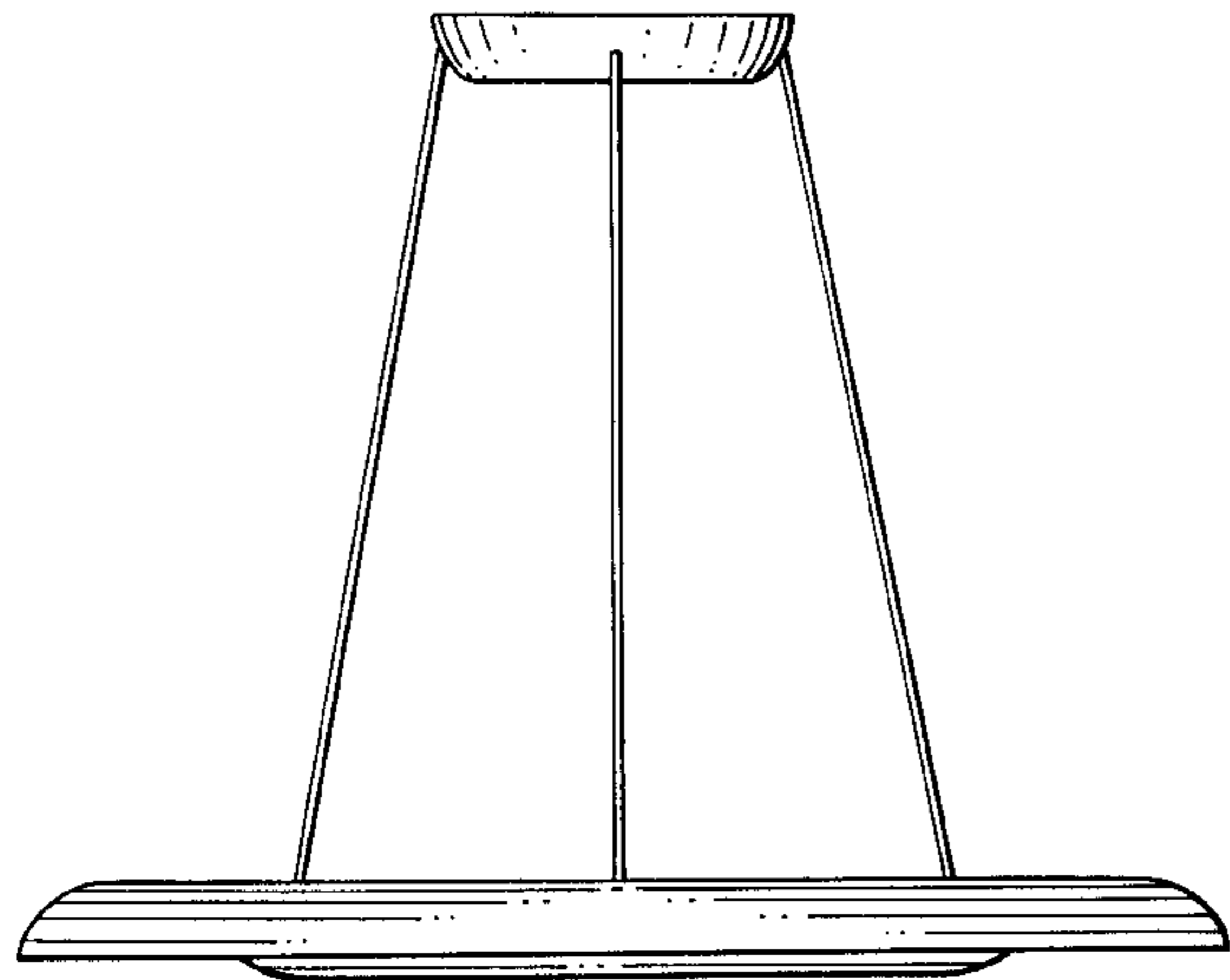
**DESCRIPTION**

FIG. 1 is a lateral elevation of my new design relating to a lamp;

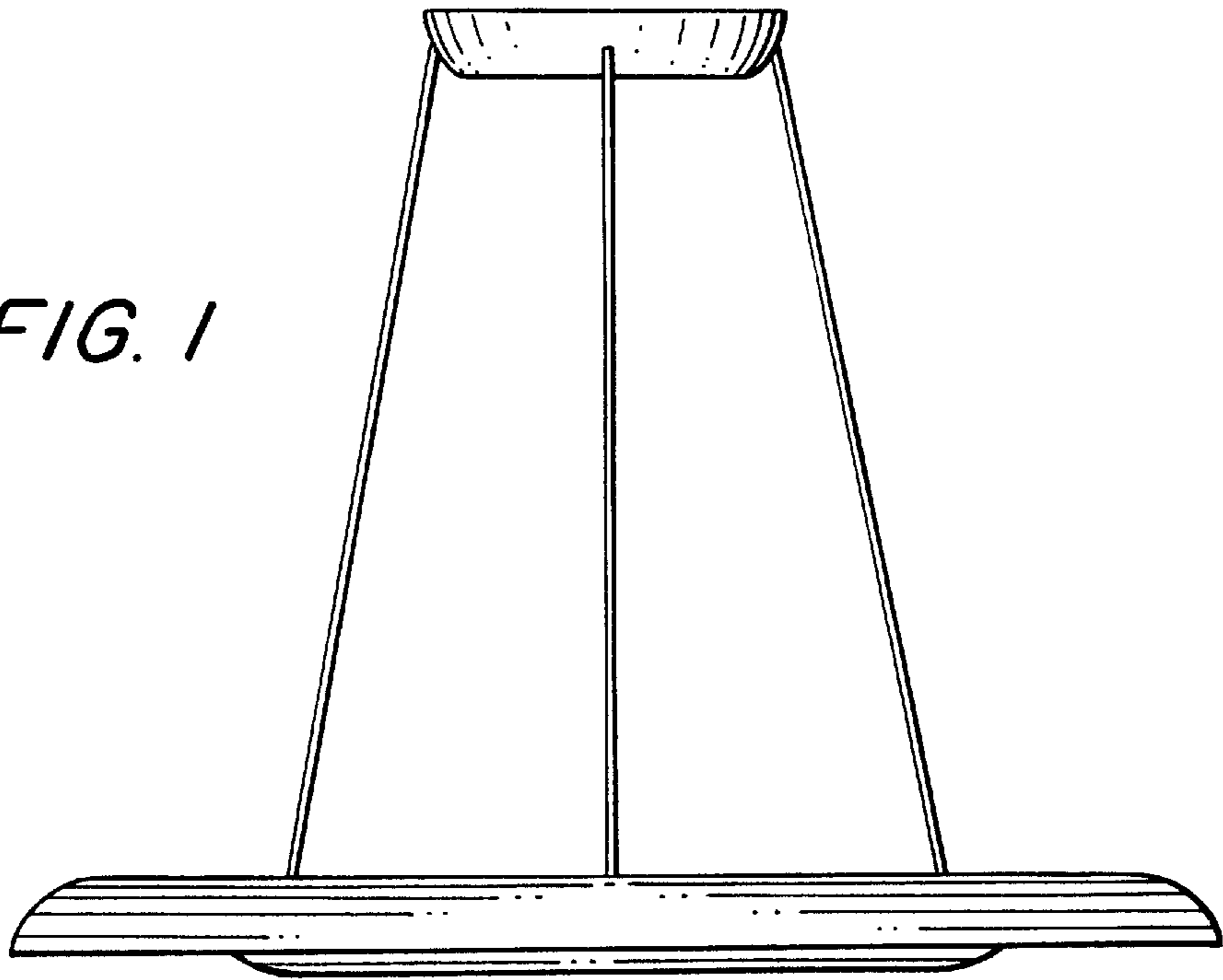
FIG. 2 is an underside view of my new design; and,

FIG. 3 is a plan view of my new design.

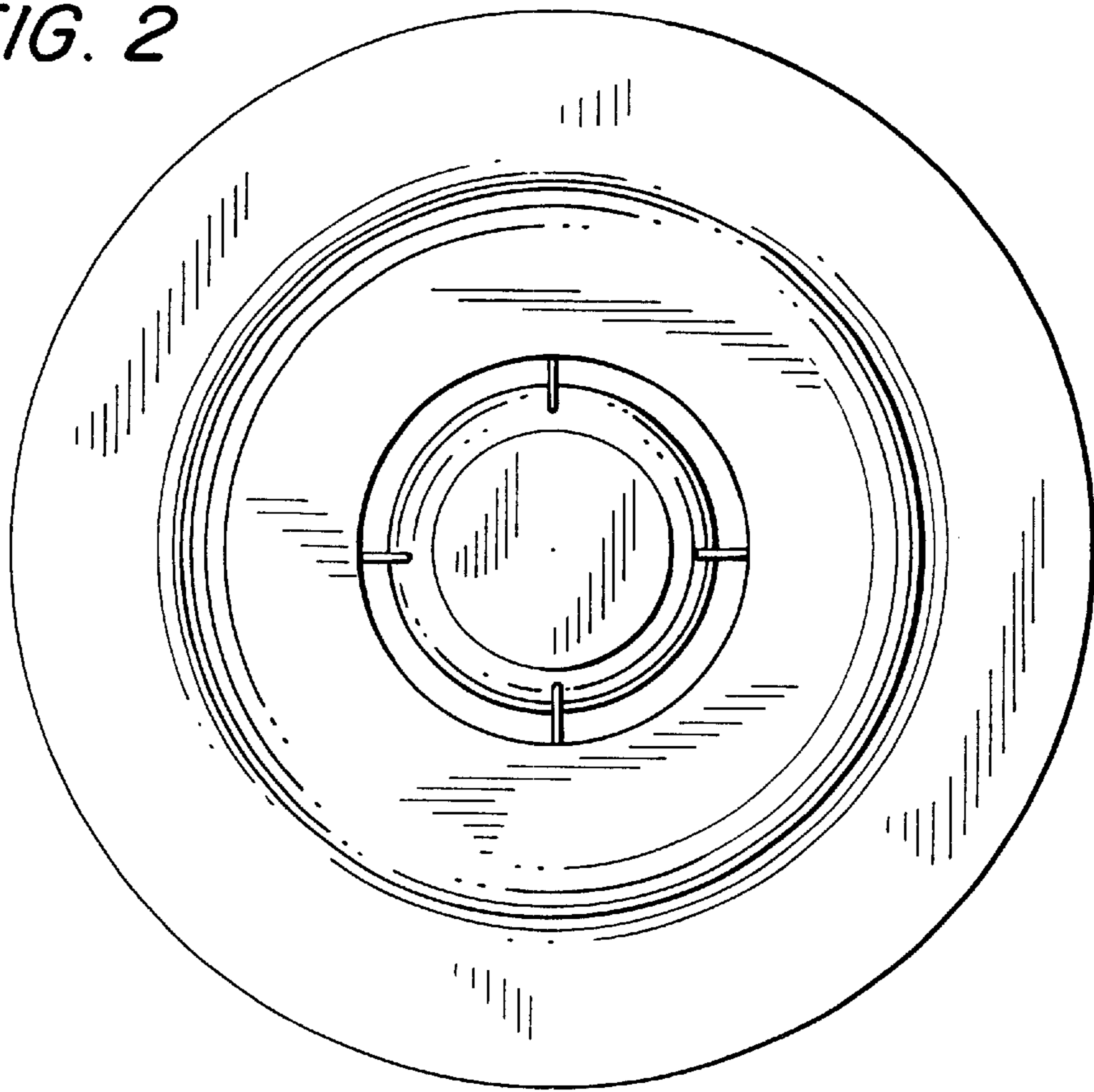
**1 Claim, 2 Drawing Sheets**

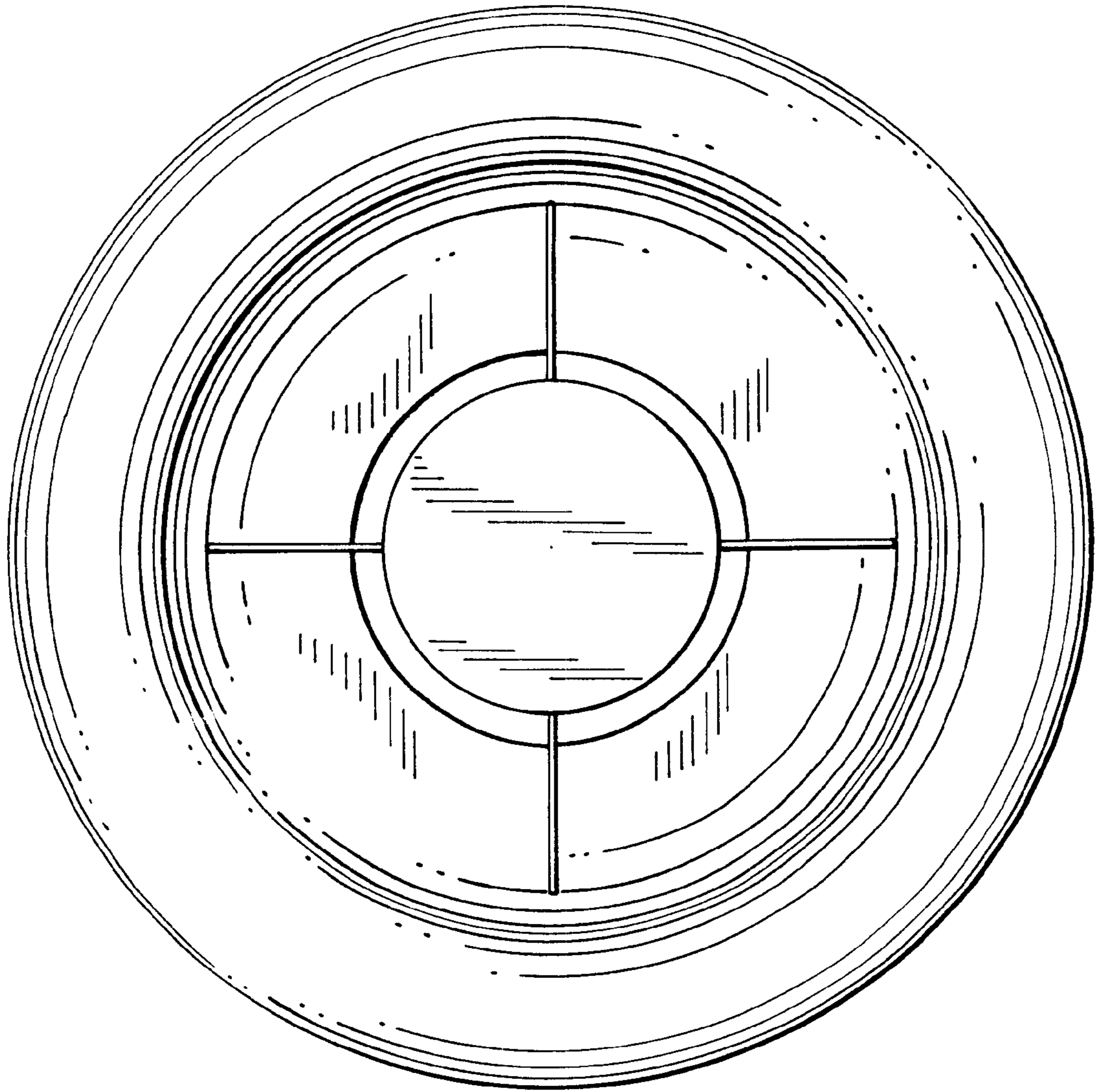


*FIG. 1*



*FIG. 2*





*FIG. 3*