



US00D465867S

(12) **United States Design Patent**
Ward

(10) **Patent No.:** **US D465,867 S**

(45) **Date of Patent:** **** Nov. 19, 2002**

(54) **TRACK LIGHTING FIXTURE DESIGN**

D437,953 S * 2/2001 Donato D26/63
D443,940 S * 6/2001 Donato D26/63

(75) Inventor: **Patrick H. Ward**, San Antonio, TX
(US)

* cited by examiner

(73) Assignee: **Lucifer Lighting Company**, San
Antonio, TX (US)

Primary Examiner—Marcus A. Jackson
(74) *Attorney, Agent, or Firm*—Jenkins & Gilchrist, A
Professional Corporation

(**) Term: **14 Years**

(57) **CLAIM**

(21) Appl. No.: **29/154,058**

I claim the track lighting fixture design, as shown and
described.

(22) Filed: **Jan. 14, 2002**

DESCRIPTION

(51) **LOC (7) Cl.** **26-05**

(52) **U.S. Cl.** **D26/63**

(58) **Field of Search** D26/60-66, 118;
362/267, 269, 271, 272, 273, 276, 282,
283, 285, 287, 418, 419, 427, 428

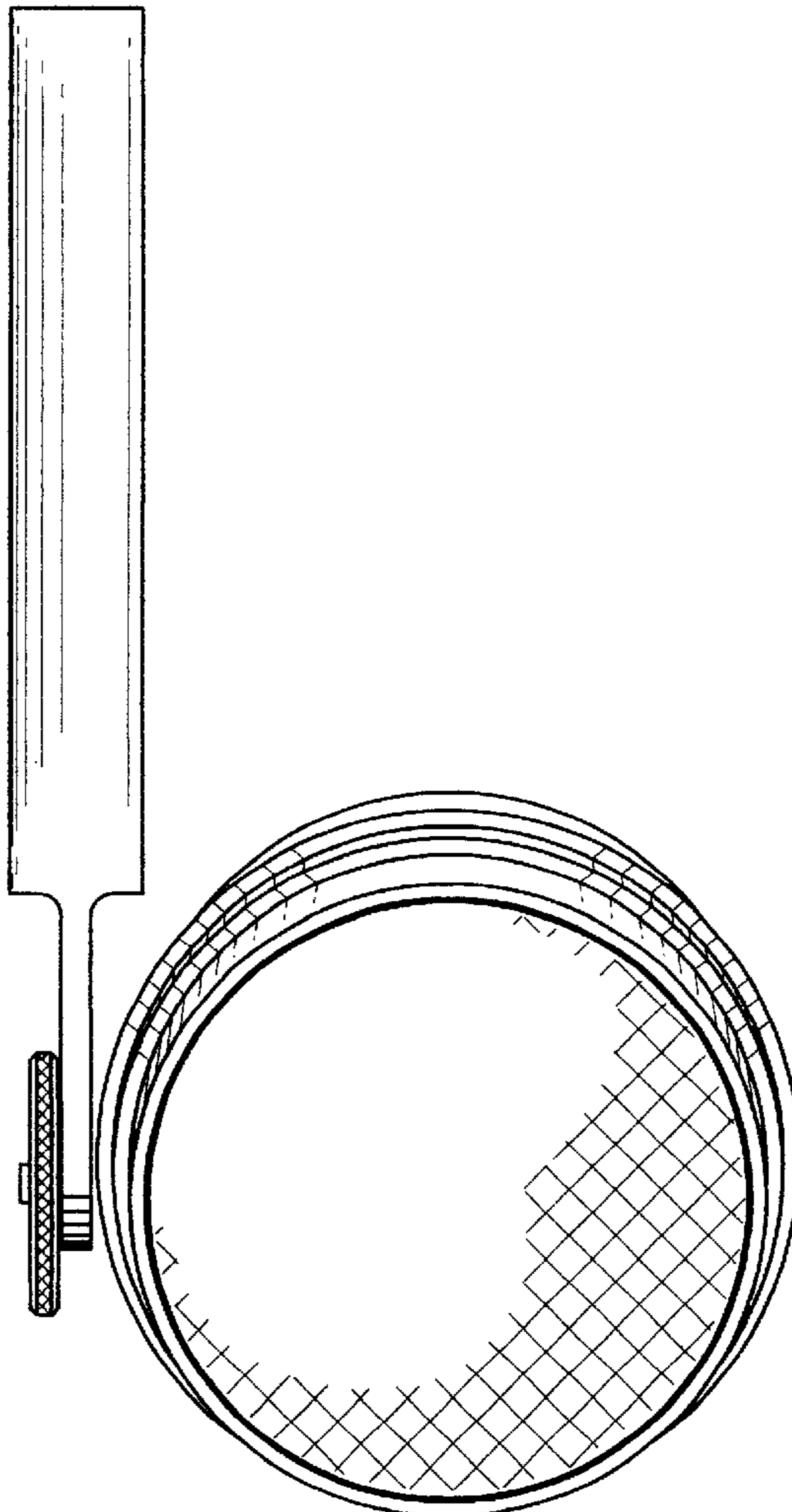
FIG. 1 is a front elevational view of the track lighting fixture;
FIG. 2 is a left side elevational view;
FIG. 3 is a rear elevational view;
FIG. 4 is right side elevational view;
FIG. 5 is a top plan view;
FIG. 6 is a bottom plan view; and,
FIG. 7 is a perspective view.

(56) **References Cited**

U.S. PATENT DOCUMENTS

D417,519 S * 12/1999 Cutler D26/63

1 Claim, 4 Drawing Sheets



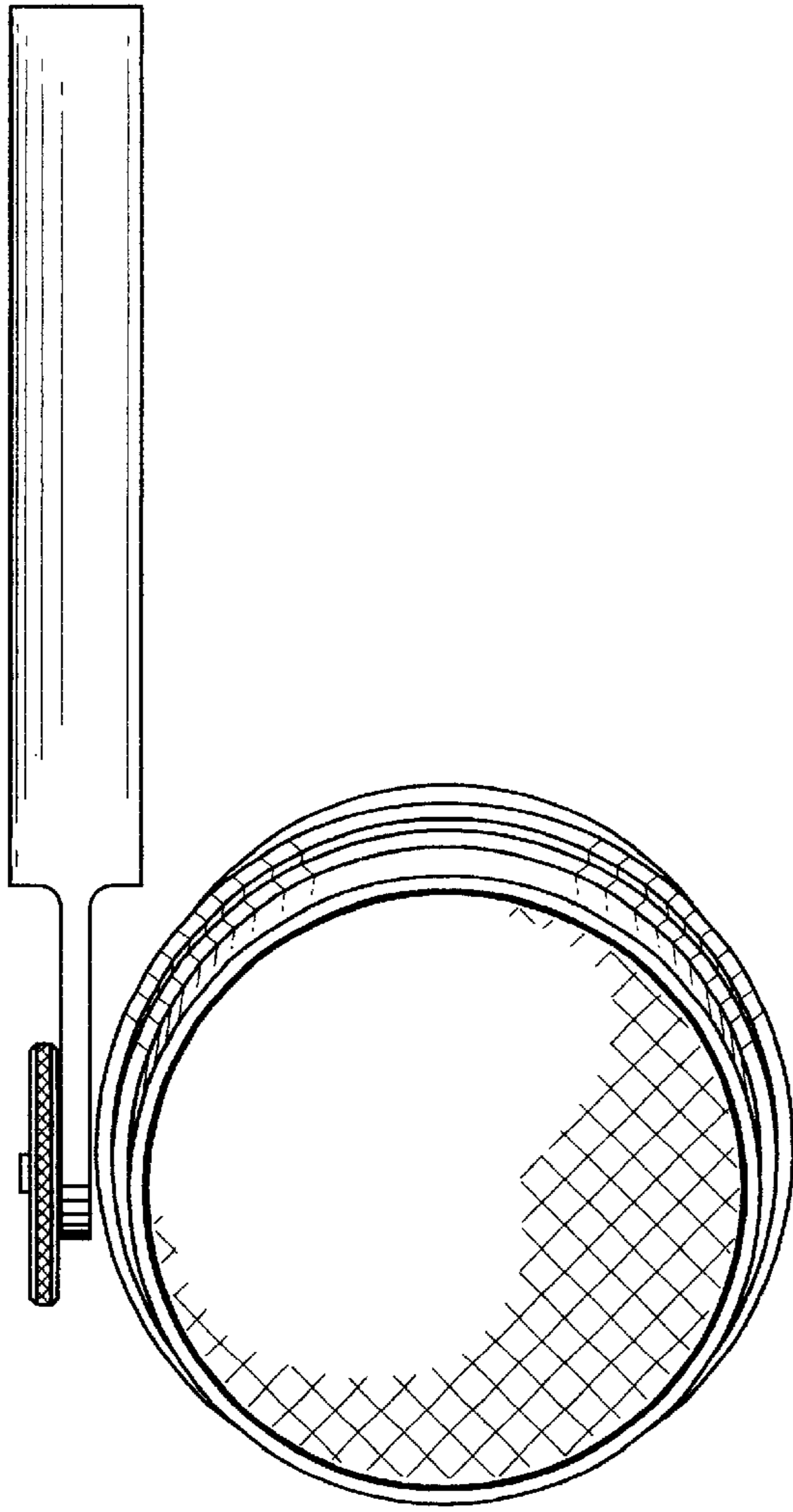


Fig. 1

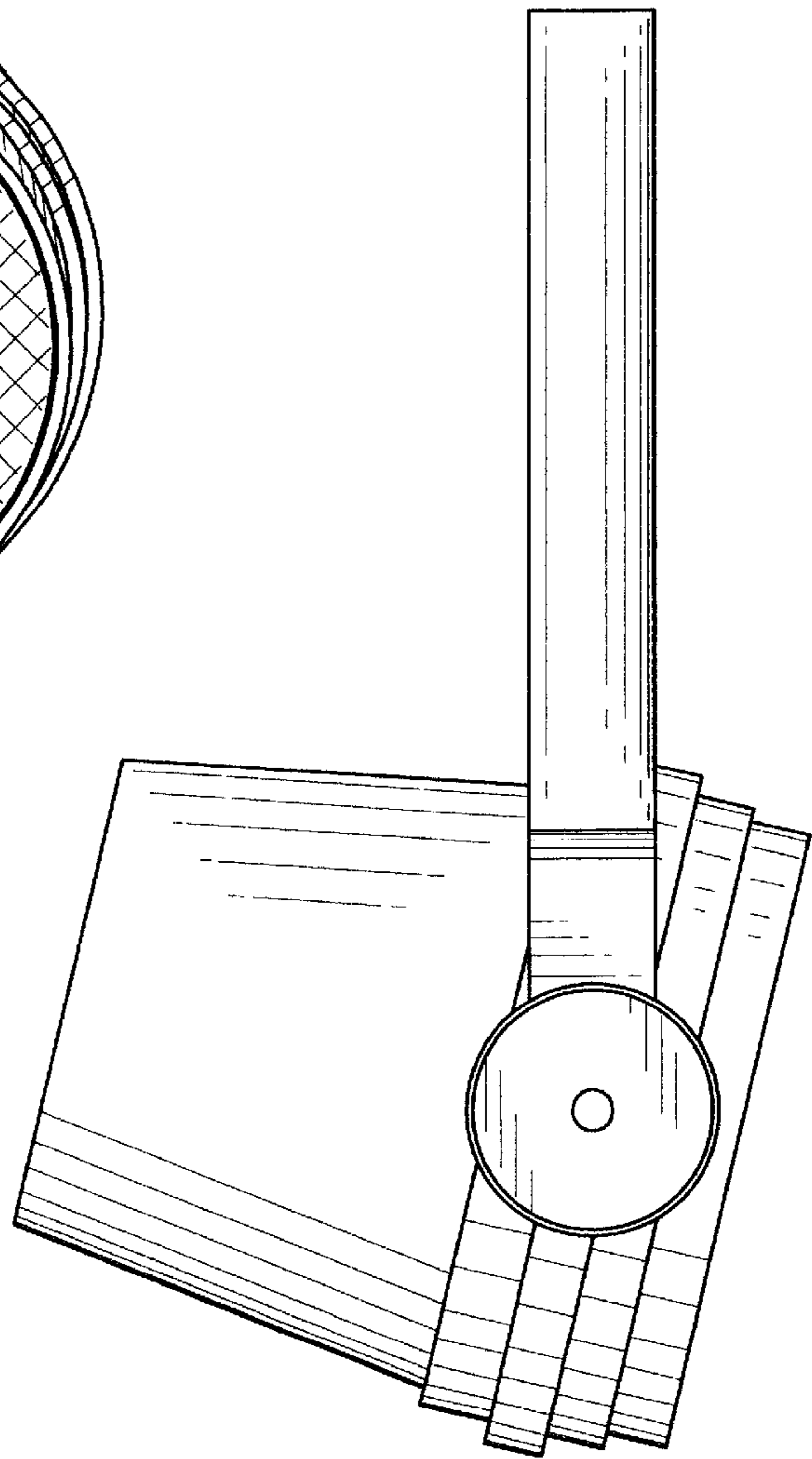


Fig. 2

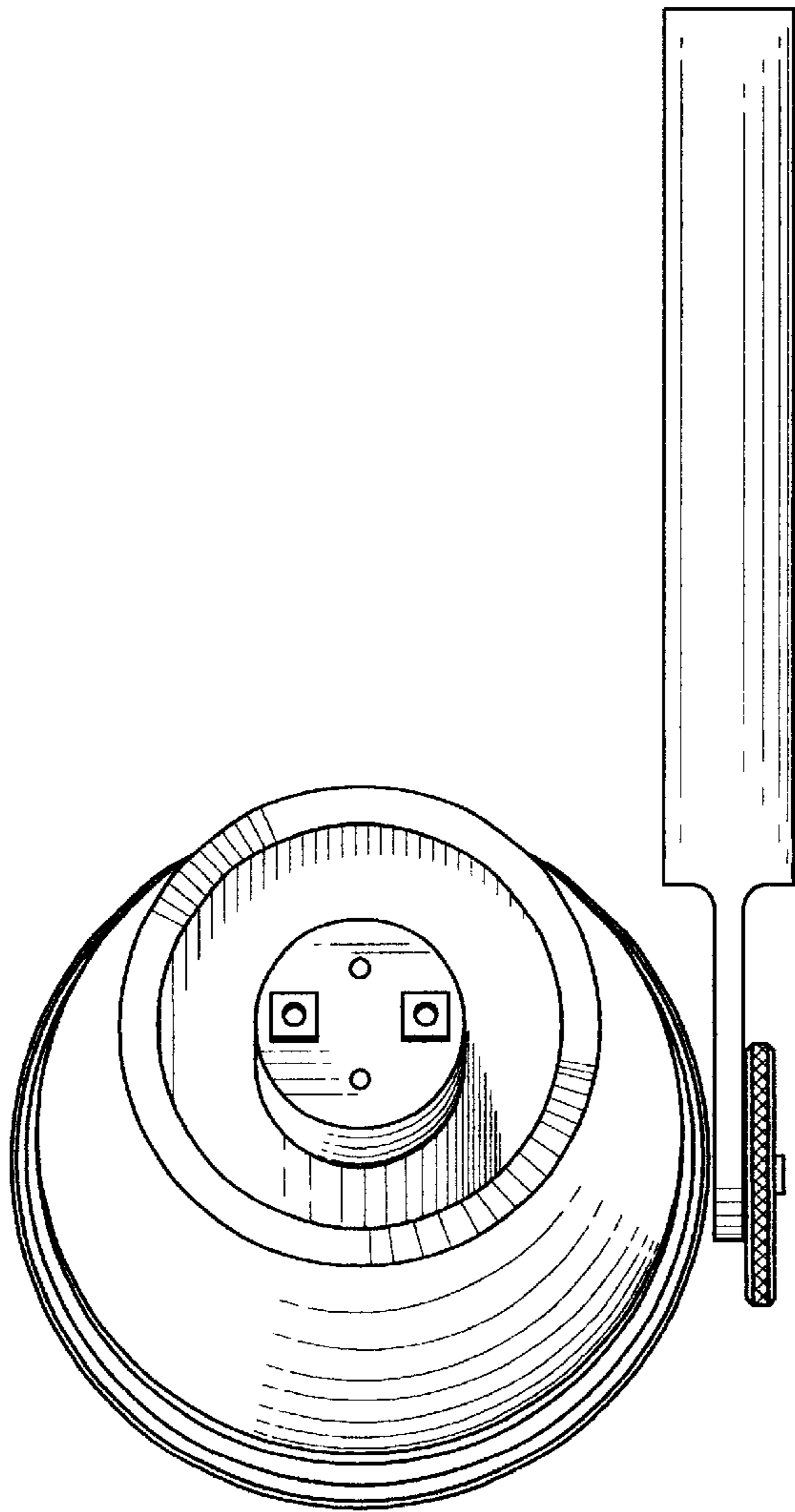


Fig. 3

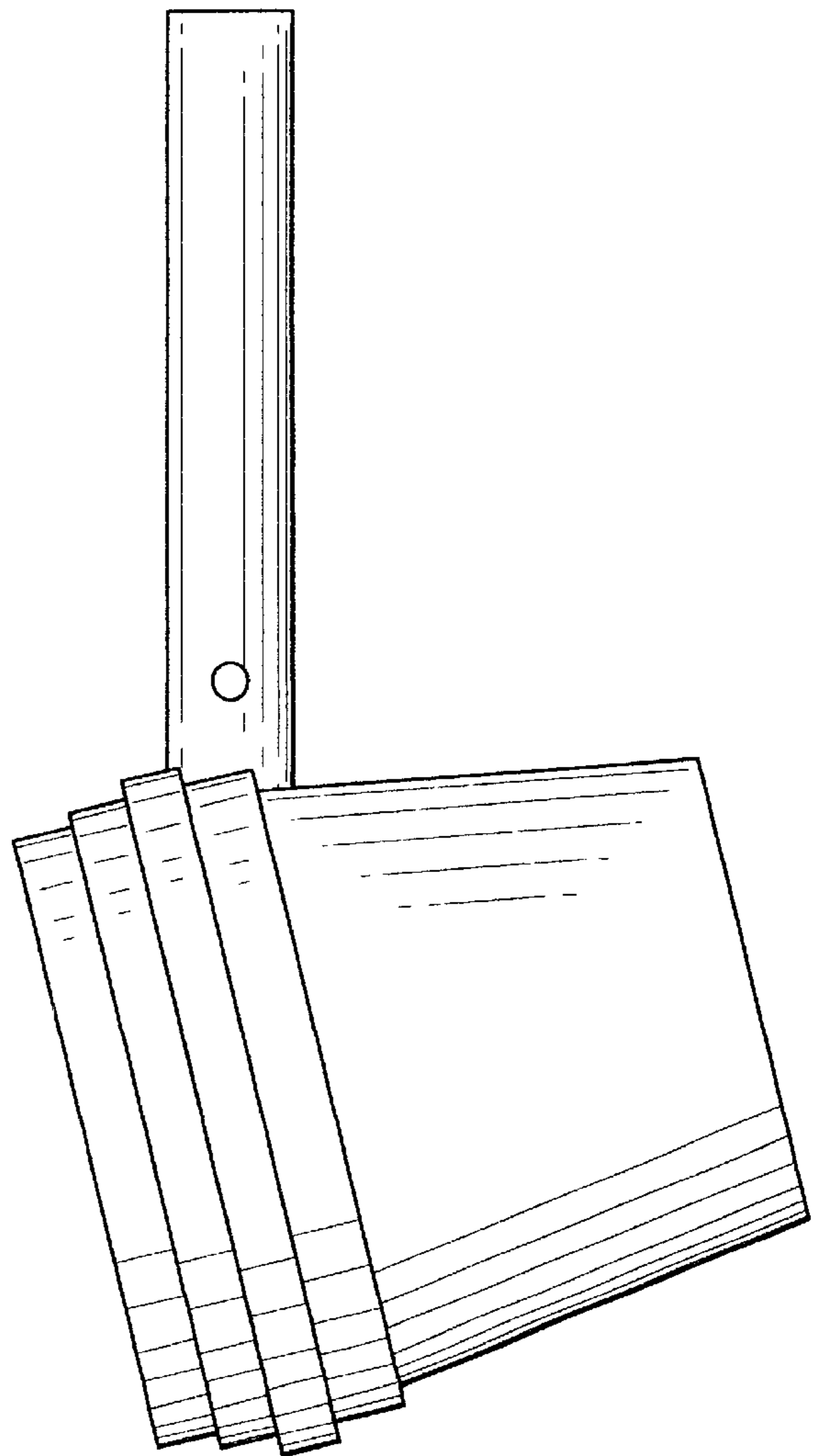


Fig. 4

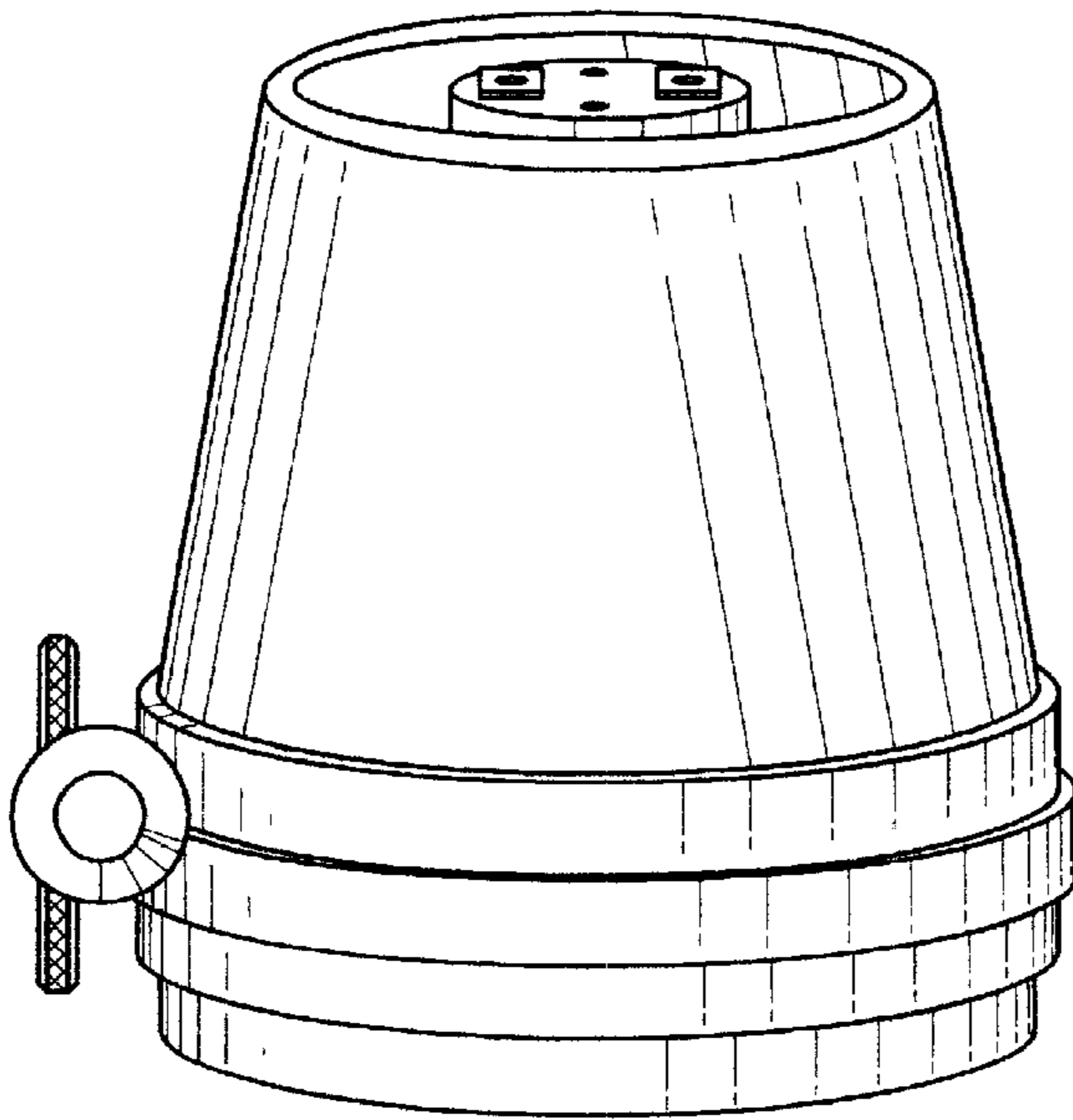


Fig. 5

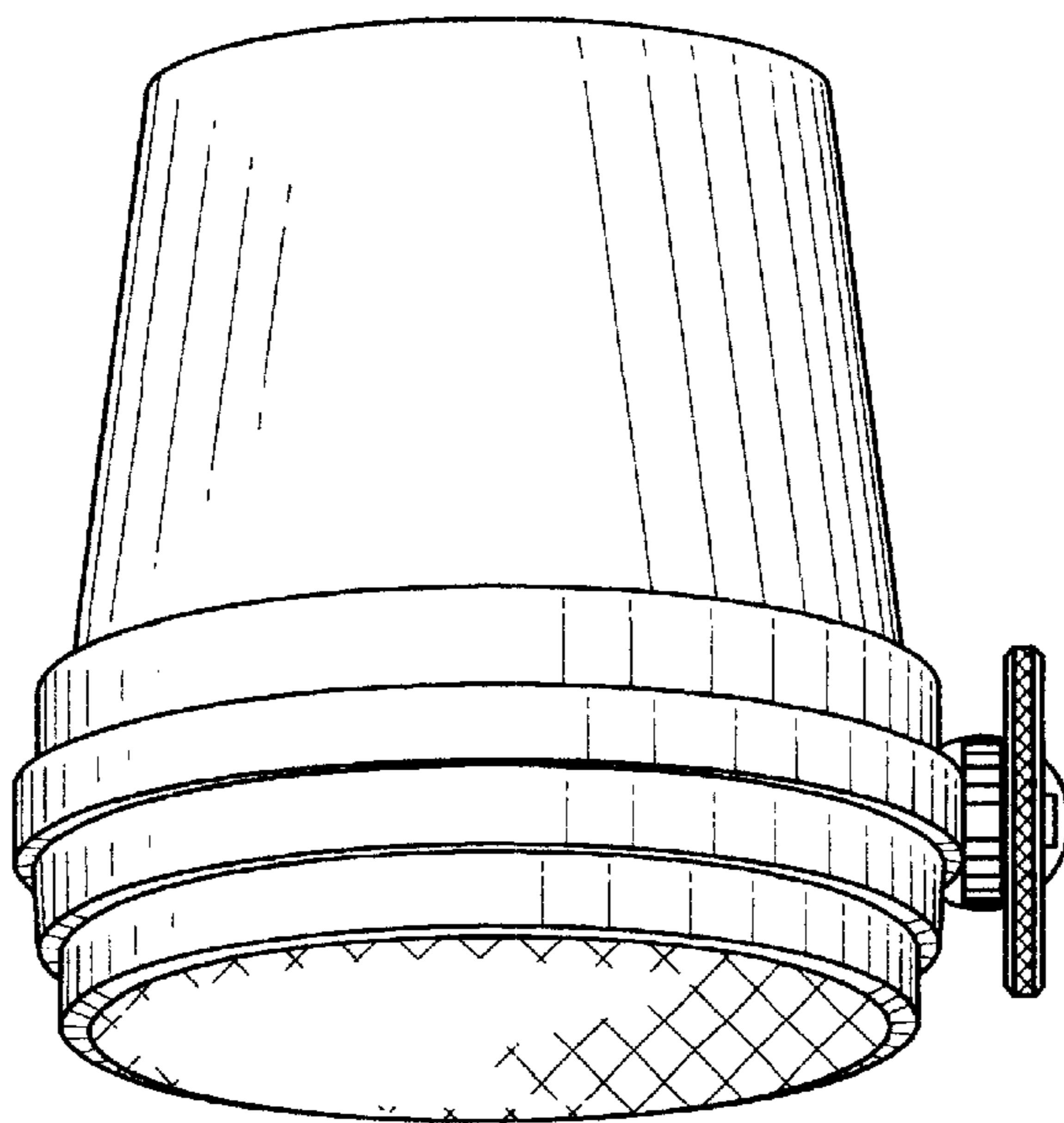


Fig. 6

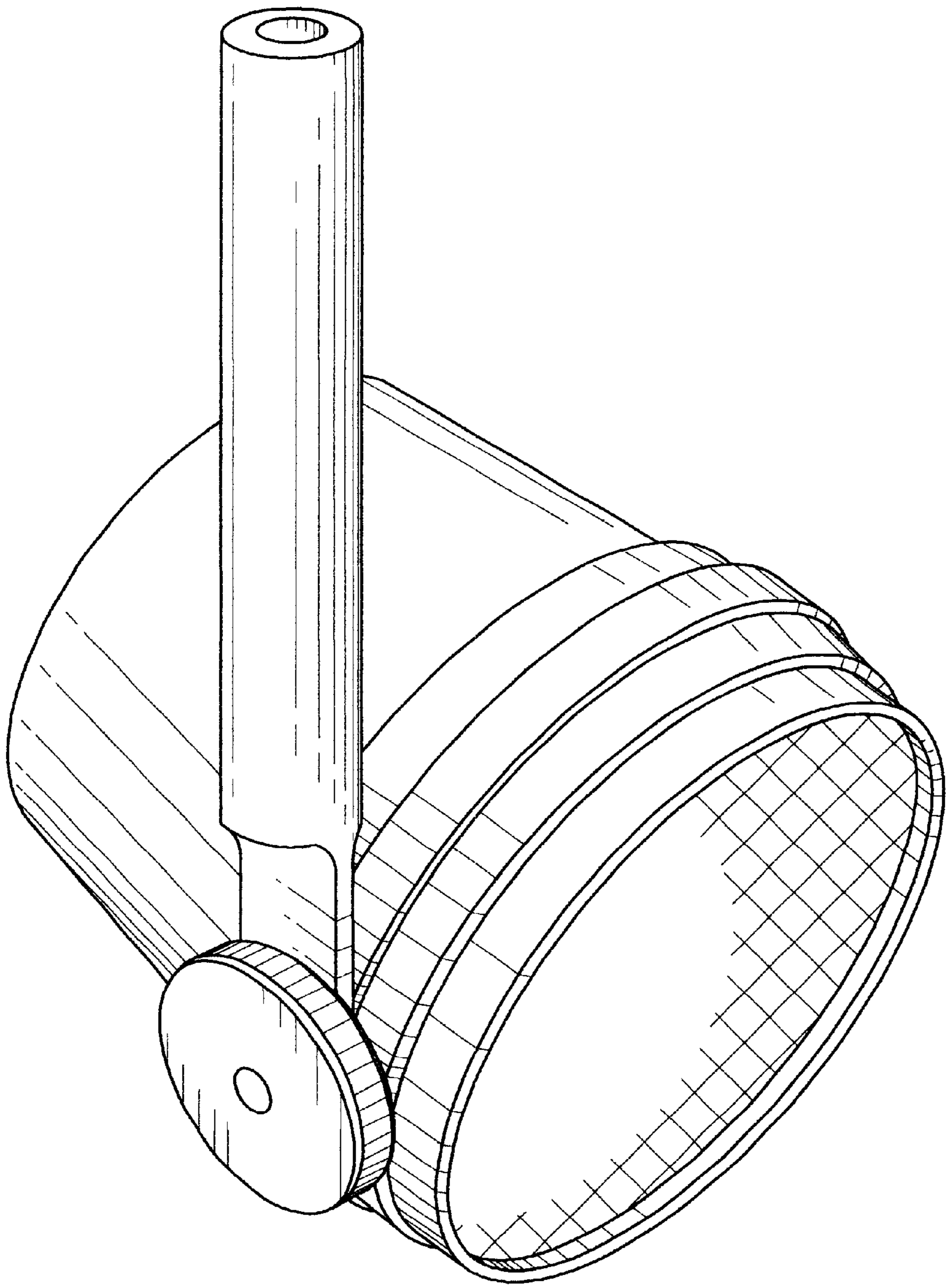


Fig. 7