



US00D465863S

(12) **United States Design Patent**
Tsai et al.

(10) **Patent No.:** **US D465,863 S**

(45) **Date of Patent:** **** Nov. 19, 2002**

(54) **TAIL LIGHT**

D457,258 S * 5/2002 Horowitz D26/28

(75) Inventors: **Te-Ching Tsai**, Tainan (TW);
Chuan-San Wu, Tainan (TW)

* cited by examiner

(73) Assignee: **TYC Brother Industrial Co. Ltd.**
(TW)

Primary Examiner—Marcus A. Jackson

(74) *Attorney, Agent, or Firm*—Ostrolenk, Faber, Gerb &
Soffen, LLP

(**) Term: **14 Years**

(57) **CLAIM**

The ornamental design for tail light, as shown and described.

(21) Appl. No.: **29/155,026**

DESCRIPTION

(22) Filed: **Jan. 16, 2002**

(51) **LOC (7) Cl.** **26-06**

(52) **U.S. Cl.** **D26/28**

(58) **Field of Search** D26/28-36; 362/61,
362/80, 81, 82, 83, 83.4, 267, 269, 275

FIG. 1 is a perspective view of tail light showing my new design;

FIG. 2 is a front elevational view thereof;

FIG. 3 is a rear elevational view thereof;

FIG. 4 is a left side elevational view thereof;

FIG. 5 is a right side elevational view thereof;

FIG. 6 is a top plan view thereof; and,

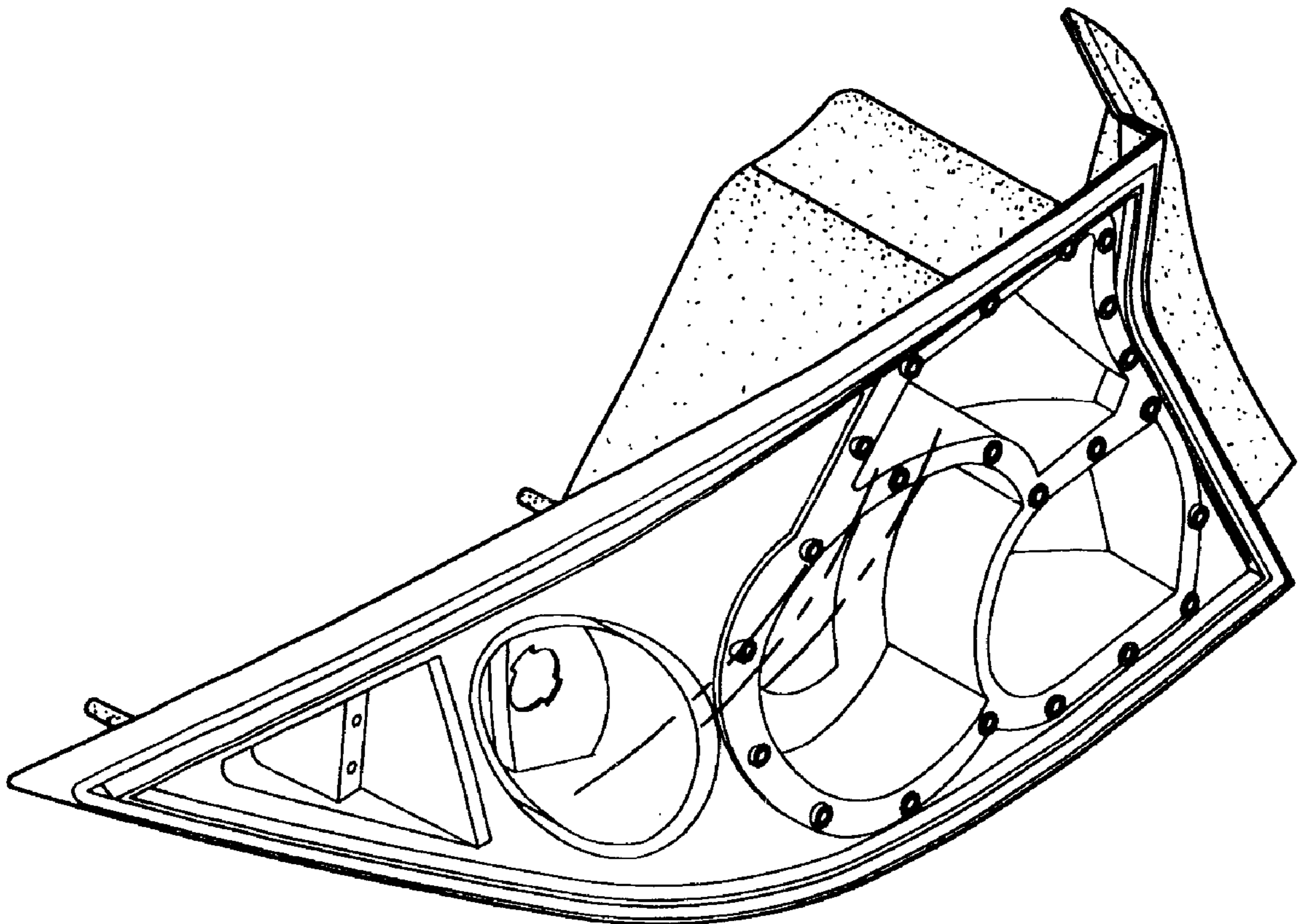
FIG. 7 is a bottom plan view thereof.

(56) **References Cited**

U.S. PATENT DOCUMENTS

D449,123 S * 10/2001 Horowitz D26/28

1 Claim, 4 Drawing Sheets



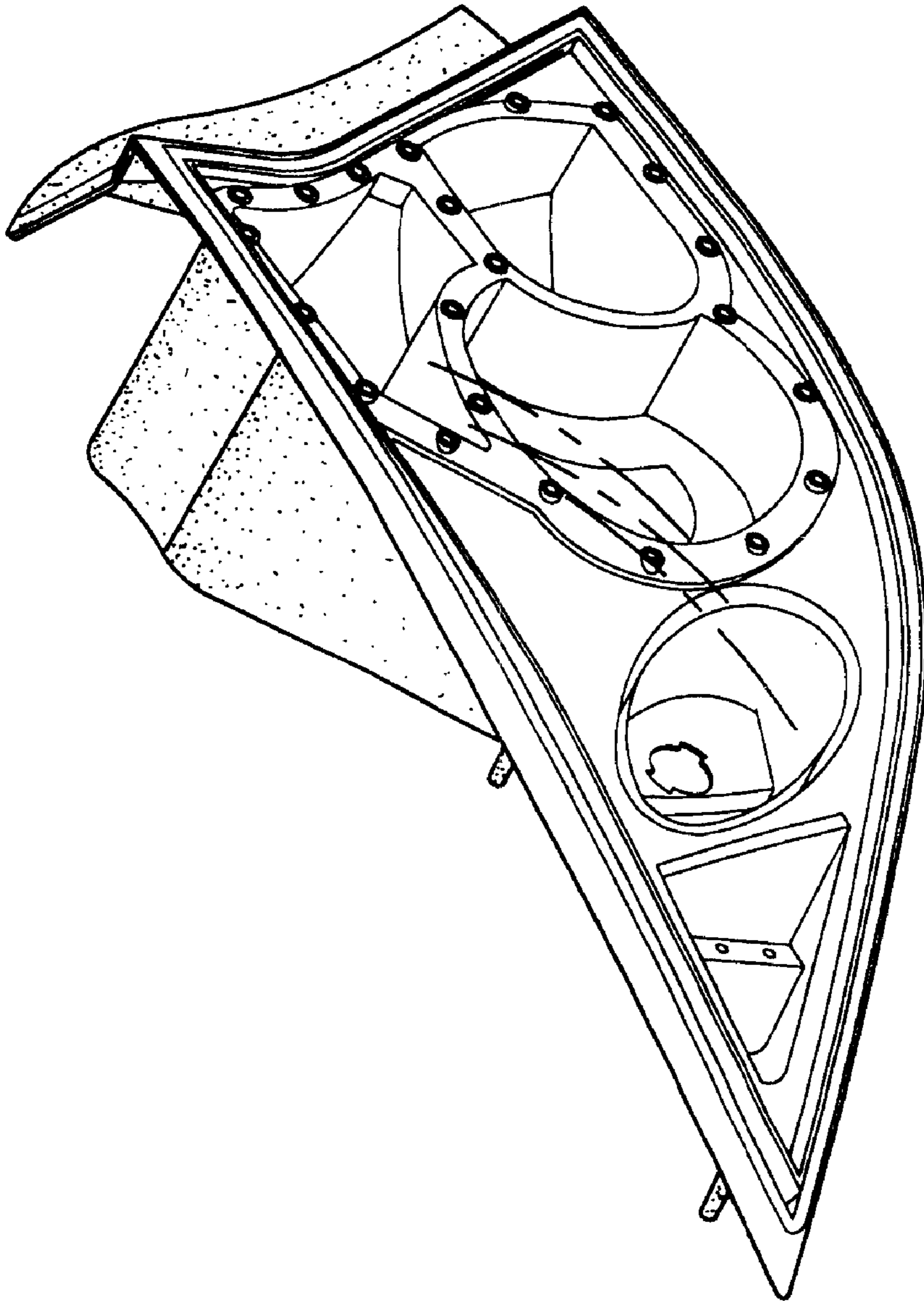


FIG. 1

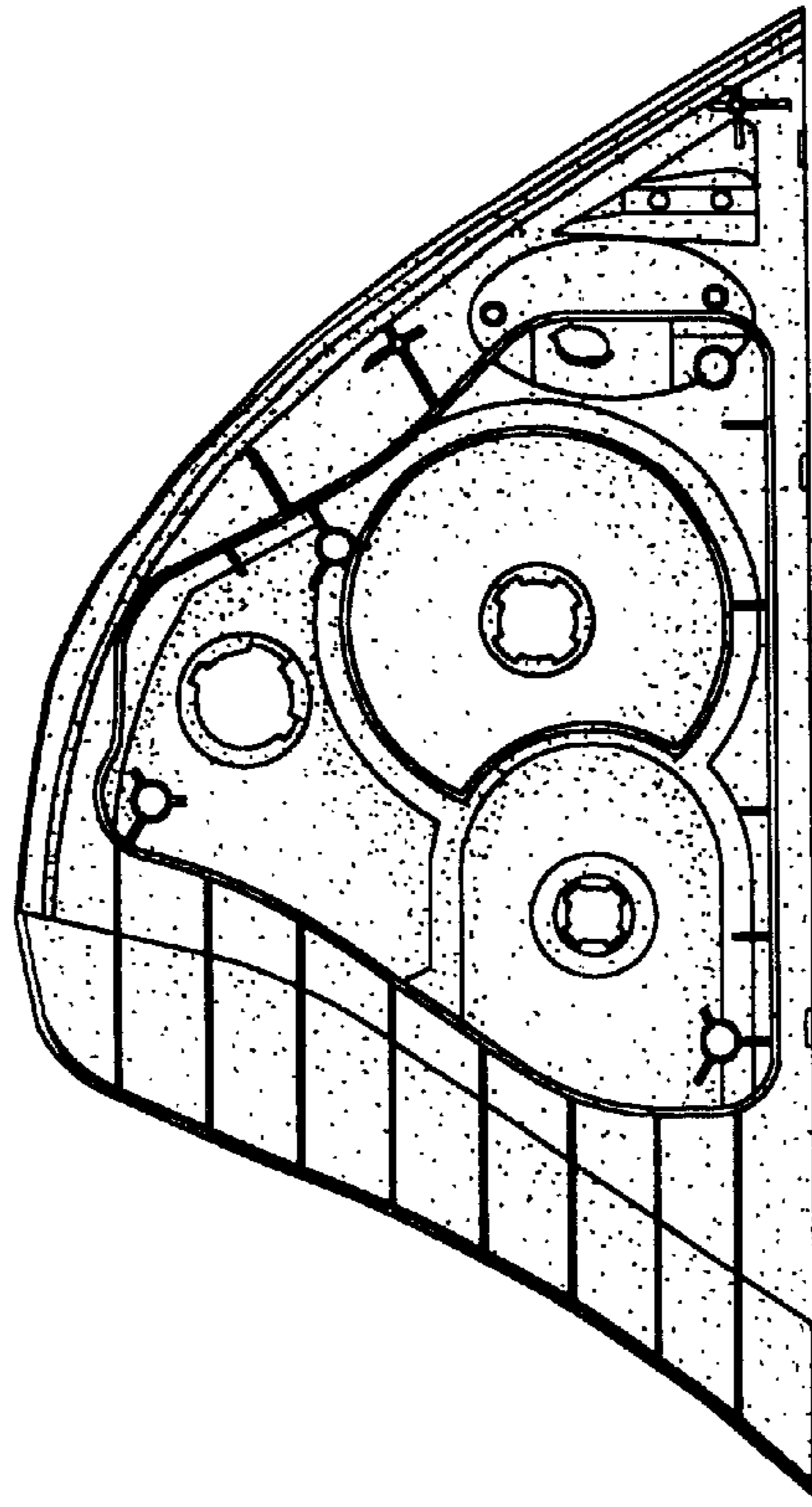


FIG. 2

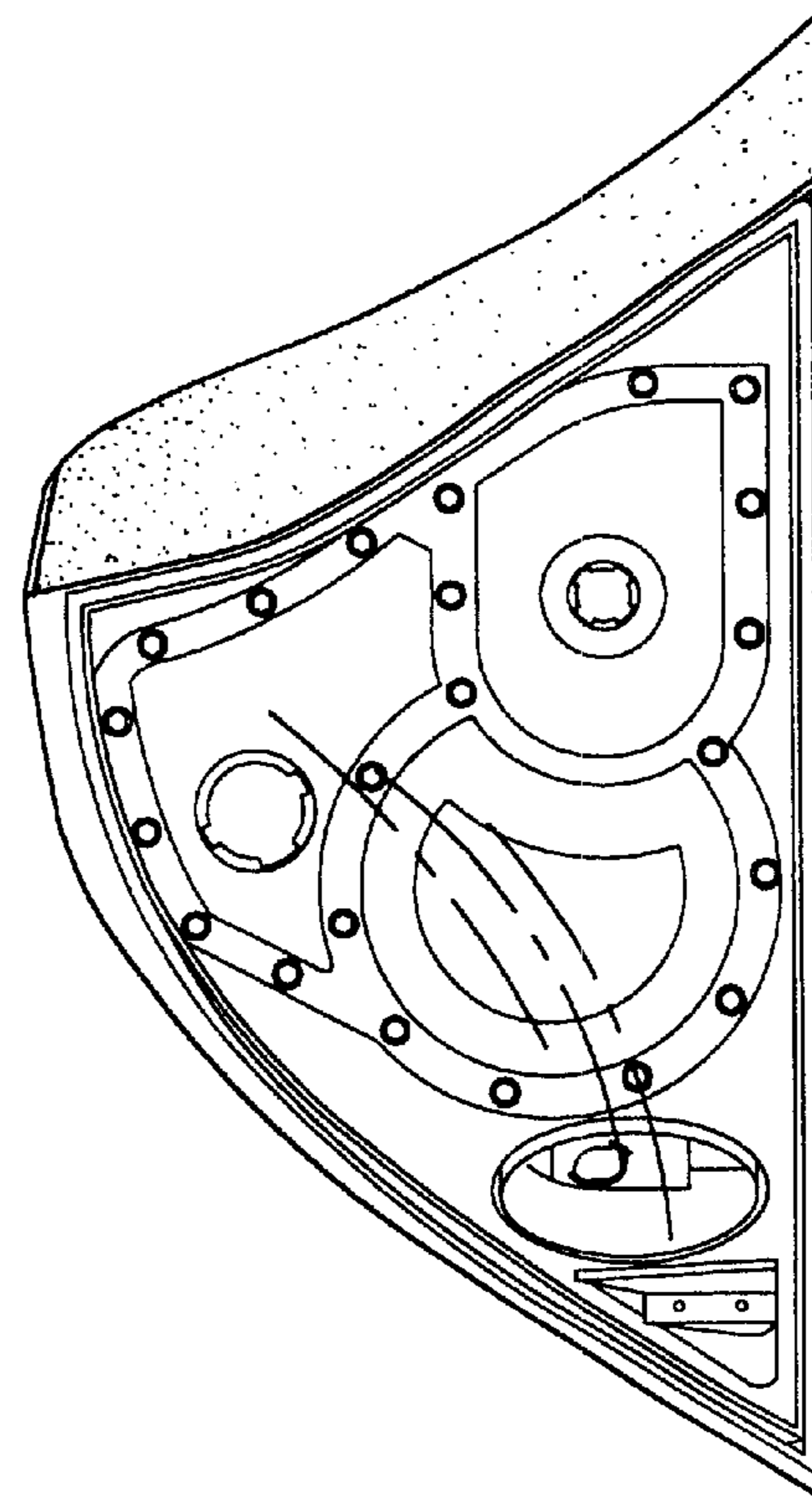


FIG. 3

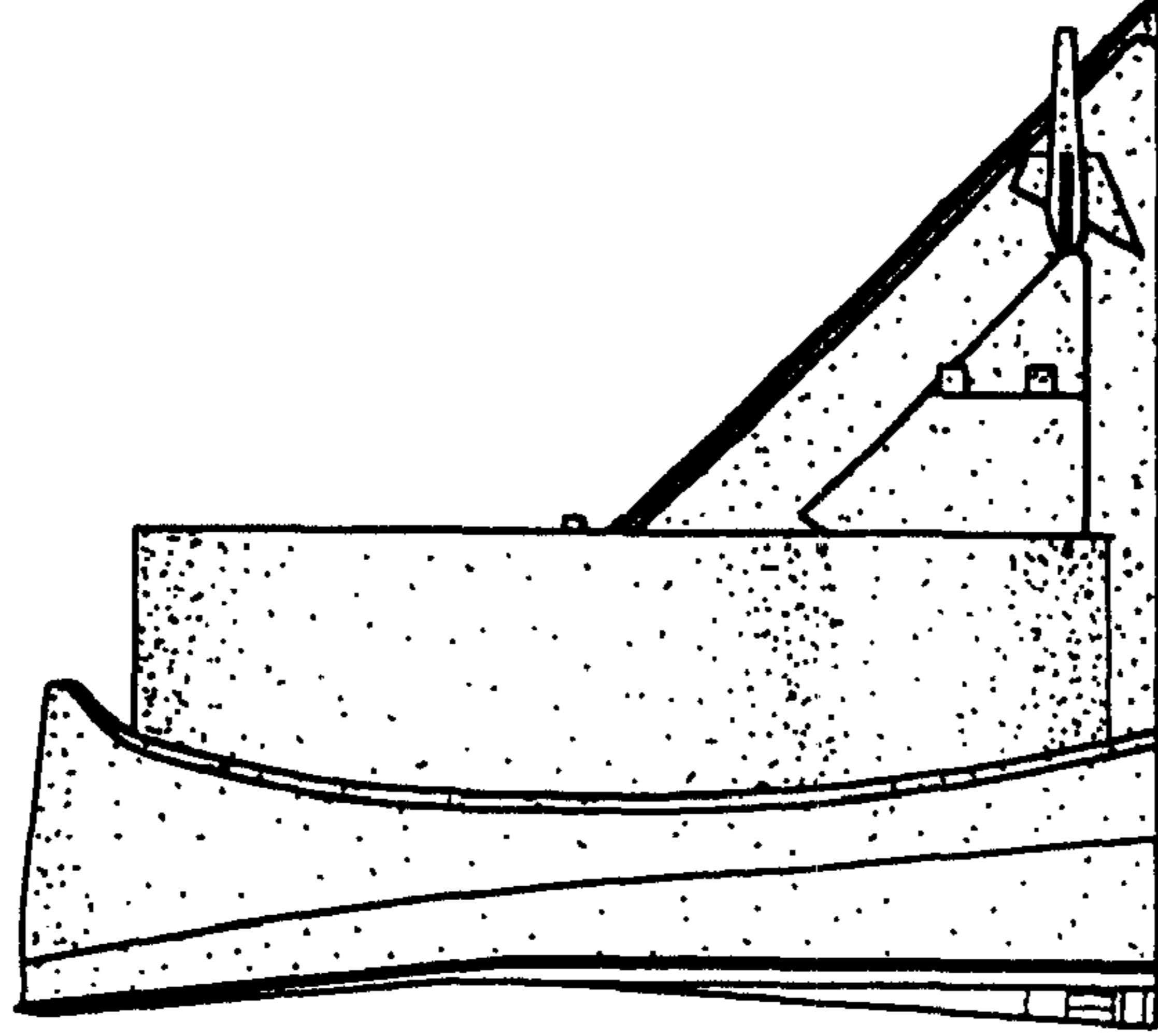


FIG. 4

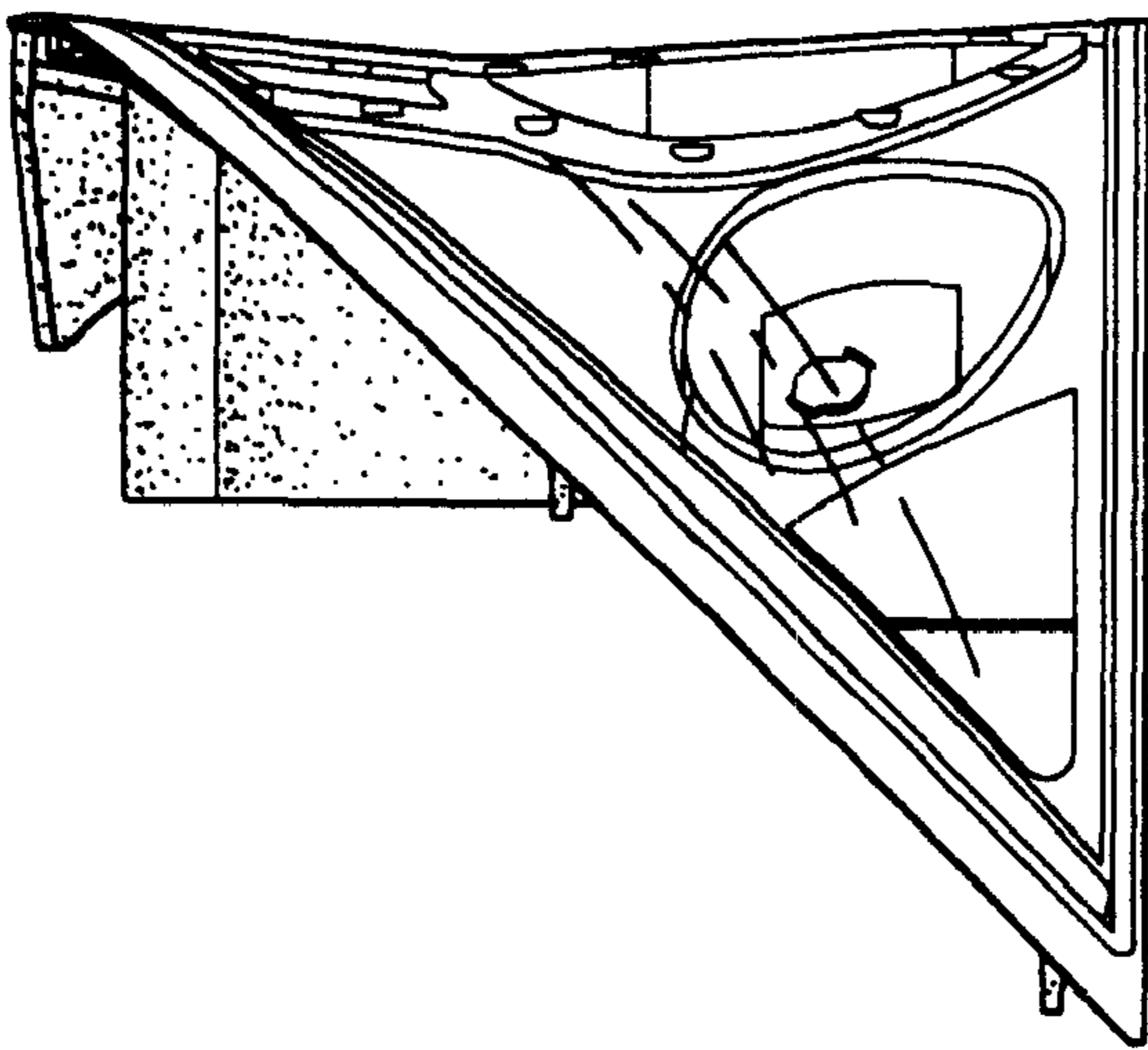


FIG. 5

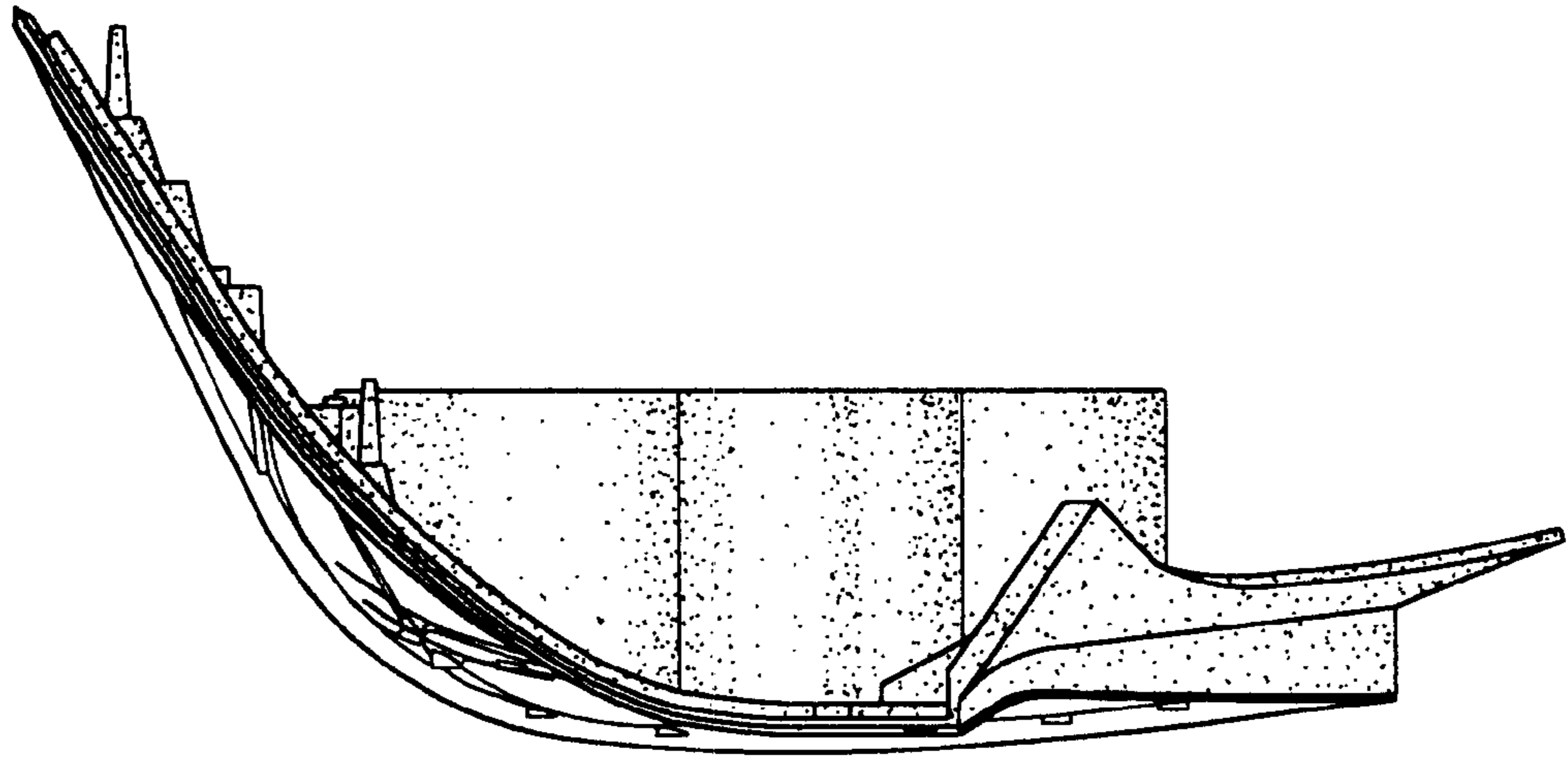


FIG. 6

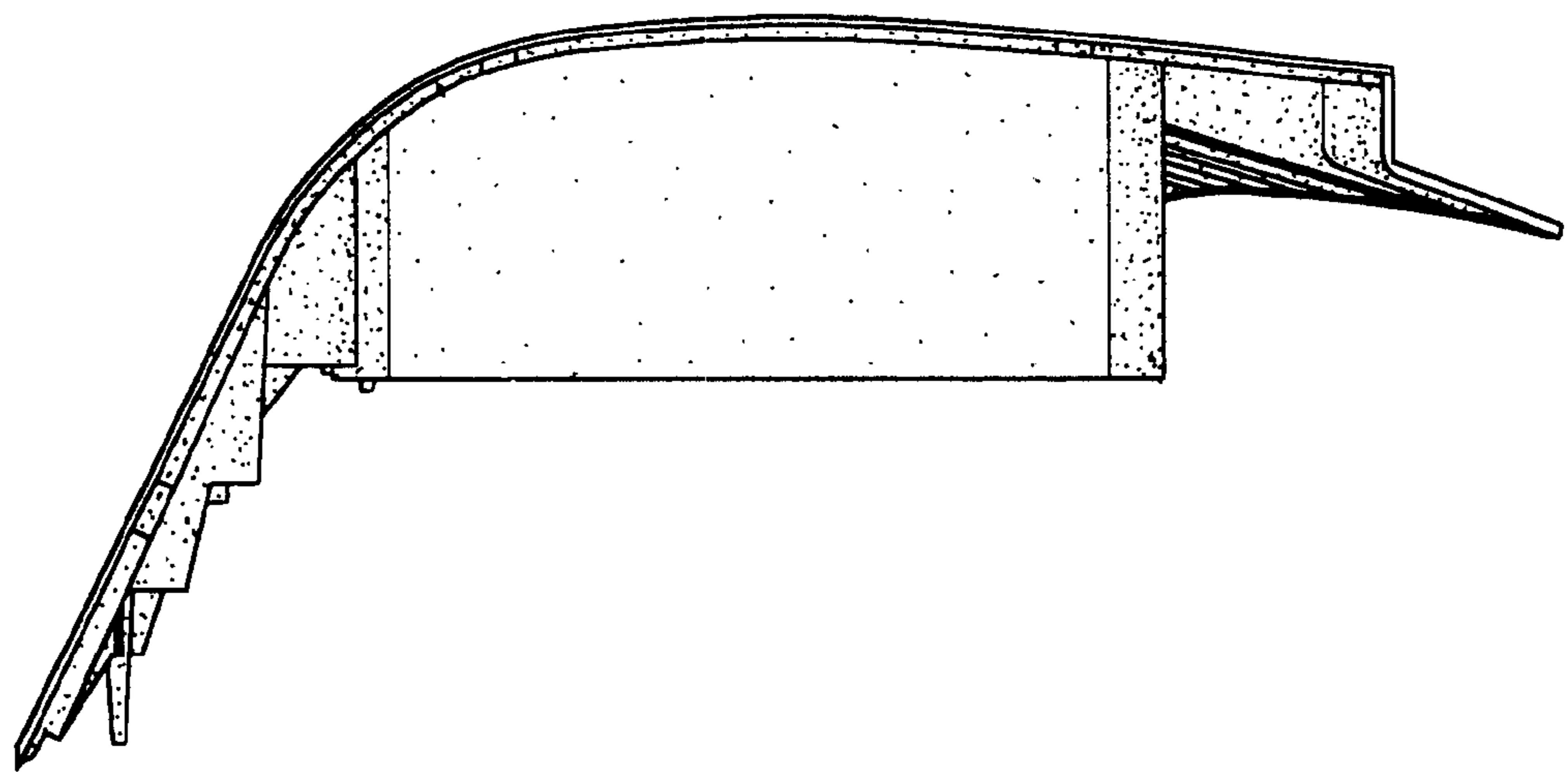


FIG. 7