



US00D465861S

(12) **United States Design Patent**
Huang

(10) **Patent No.:** **US D465,861 S**

(45) **Date of Patent:** **** Nov. 19, 2002**

(54) **OVAL DECORATIVE VEHICLE LIGHTING LENS WITH STEPPED INTERIOR SURFACE**

(75) Inventor: **Nan Huang Huang**, Rancho Palos Verdes, CA (US)

(73) Assignee: **Grand General Accessories Manufacturing Inc.**, Compton, CA (US)

(**) Term: **14 Years**

(21) Appl. No.: **29/153,800**

(22) Filed: **Jan. 8, 2002**

(51) **LOC (7) Cl.** **26-06**

(52) **U.S. Cl.** **D26/28; D26/139**

(58) **Field of Search** **D26/28-36; 362/61, 362/74, 147, 330, 331, 336, 372**

(56) **References Cited**

U.S. PATENT DOCUMENTS

D387,451 S	*	12/1997	Lyons	D26/28
D419,248 S	*	1/2000	Lyons	D26/28
D442,304 S	*	5/2001	Huang	D26/28

* cited by examiner

Primary Examiner—Marcus A. Jackson
(74) *Attorney, Agent, or Firm*—Thomas I. Rozsa; Tony D. Chen

(57) **CLAIM**

The ornamental design for an oval decorative vehicle lighting lens with stepped interior surface, as shown and described.

DESCRIPTION

FIG. 1 is a perspective view of an oval decorative vehicle lighting lens with stepped interior surface, showing my new design;

FIG. 2 is a bottom plan view thereof;

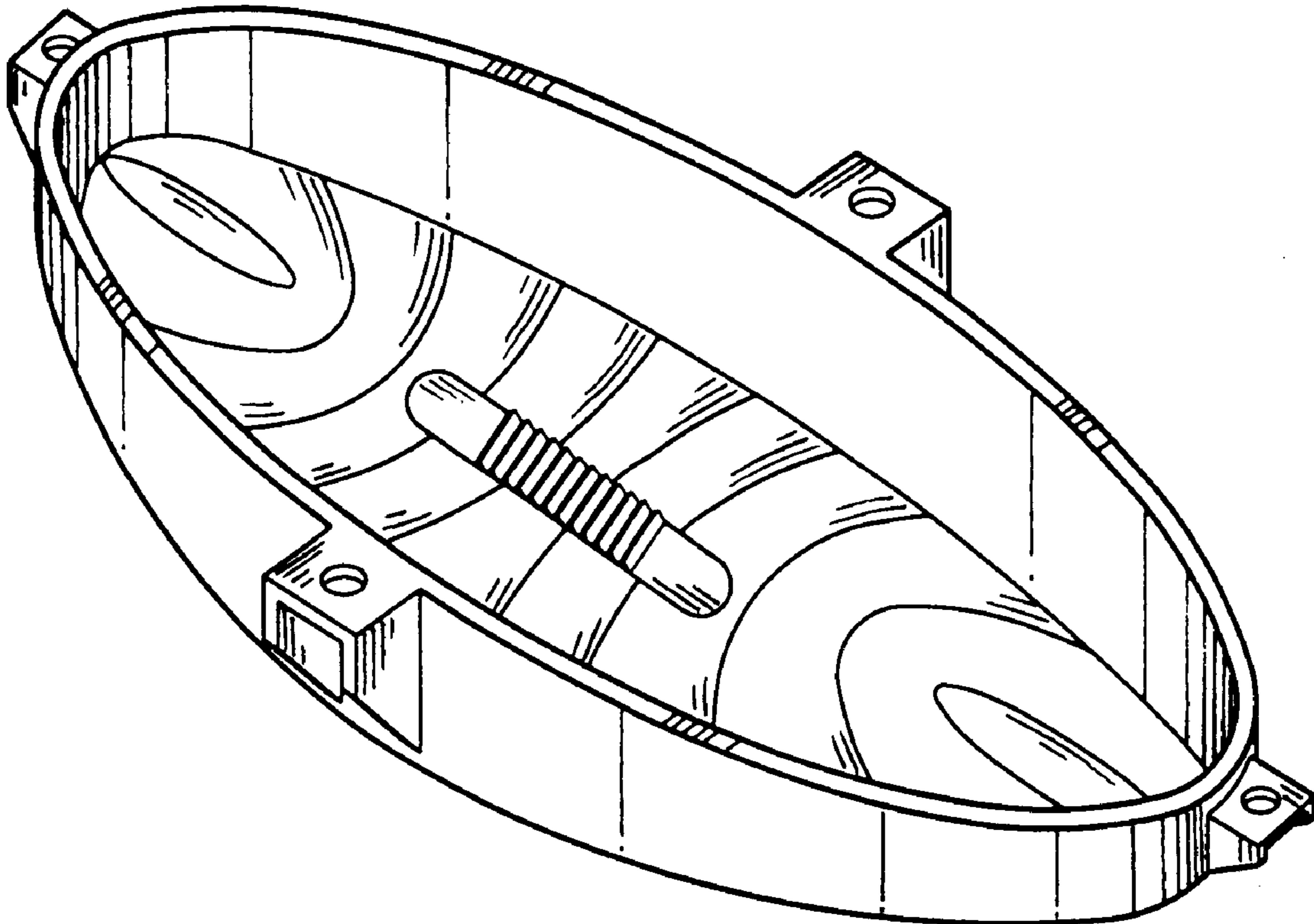
FIG. 3 is a top plan view thereof;

FIG. 4 is a side elevational view thereof, the other side being identical;

FIG. 5 is an end elevational view thereof, the other end being identical; and,

FIG. 6 is a perspective view thereof, showing my new design in its position of use, it being understood that the broken line (showing the mounting ring of the vehicle lighting) is for illustrative purposes only and forms no part of the claimed design.

1 Claim, 3 Drawing Sheets



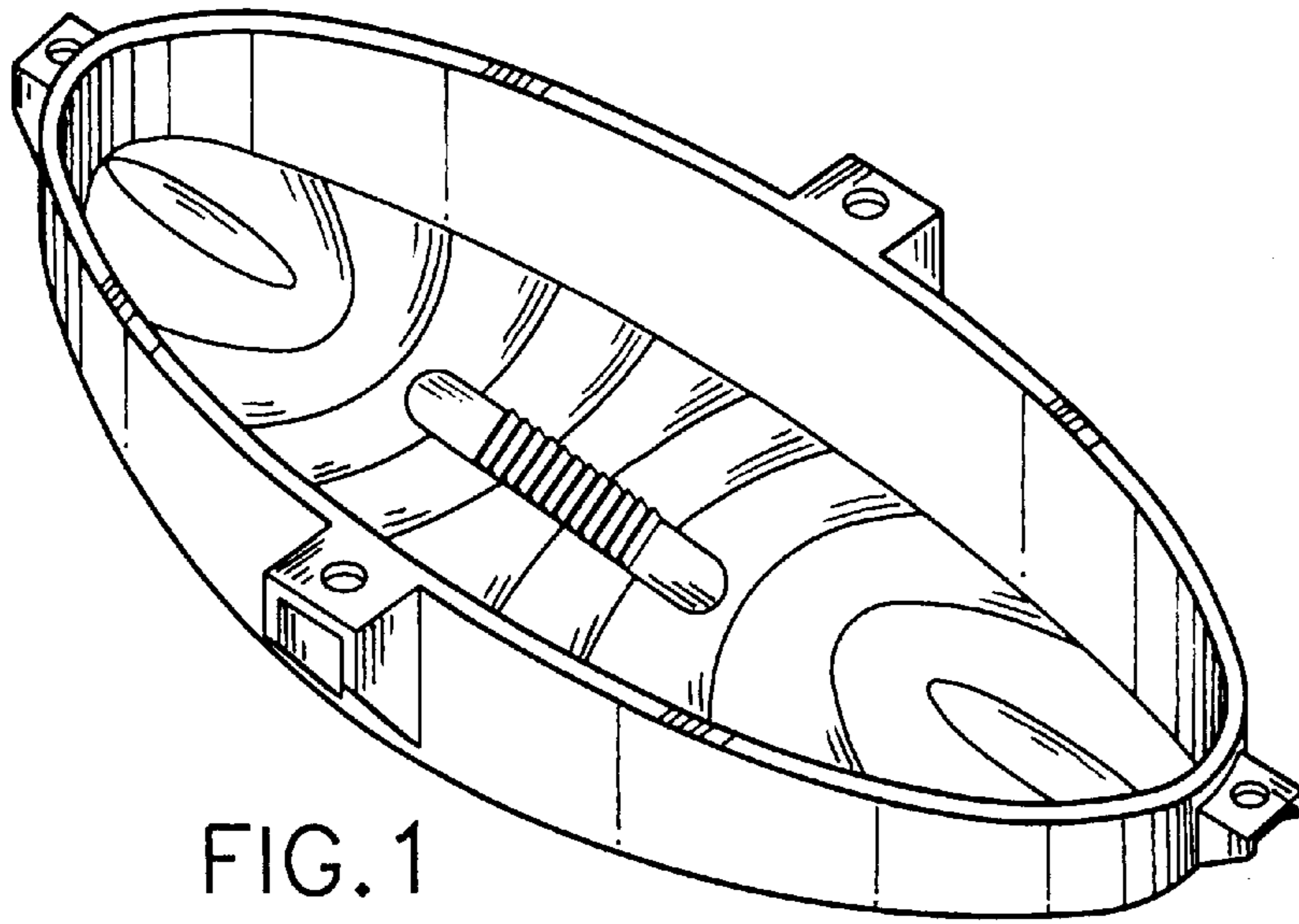


FIG. 1

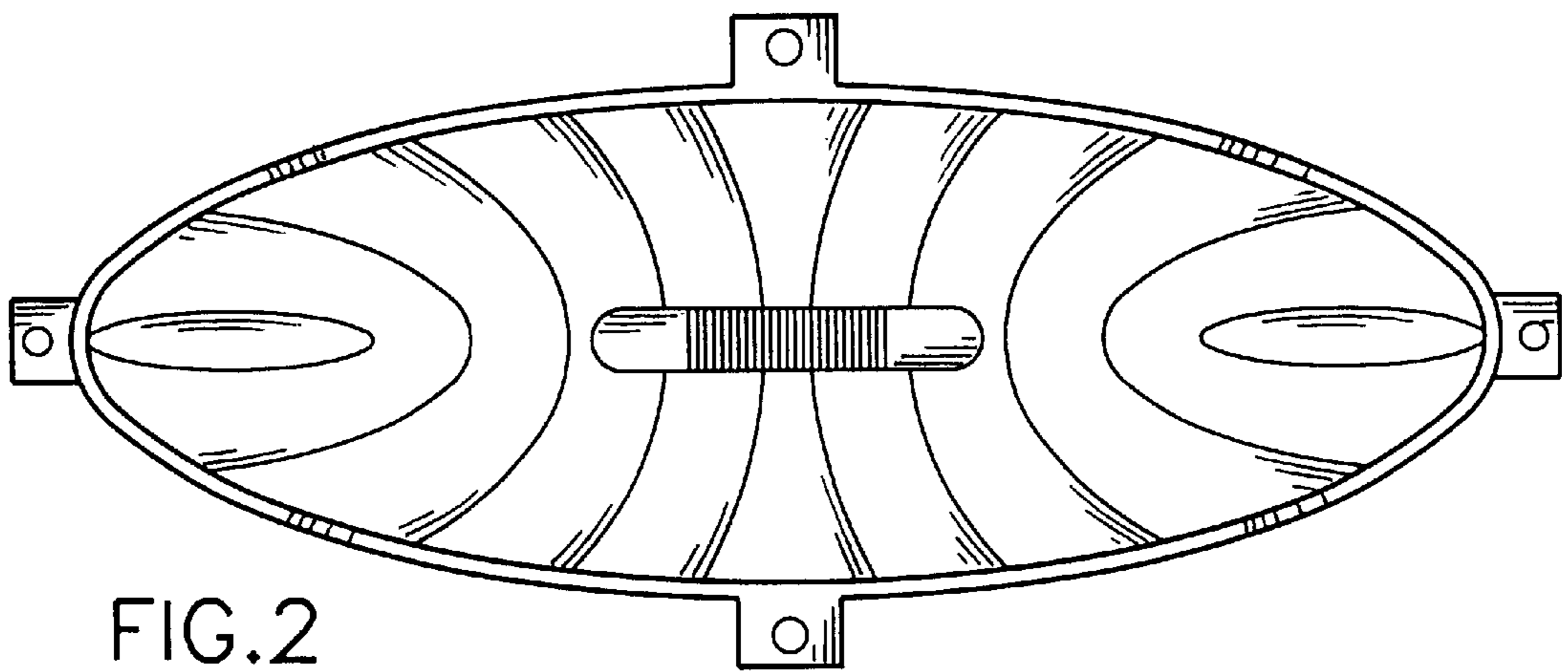


FIG. 2

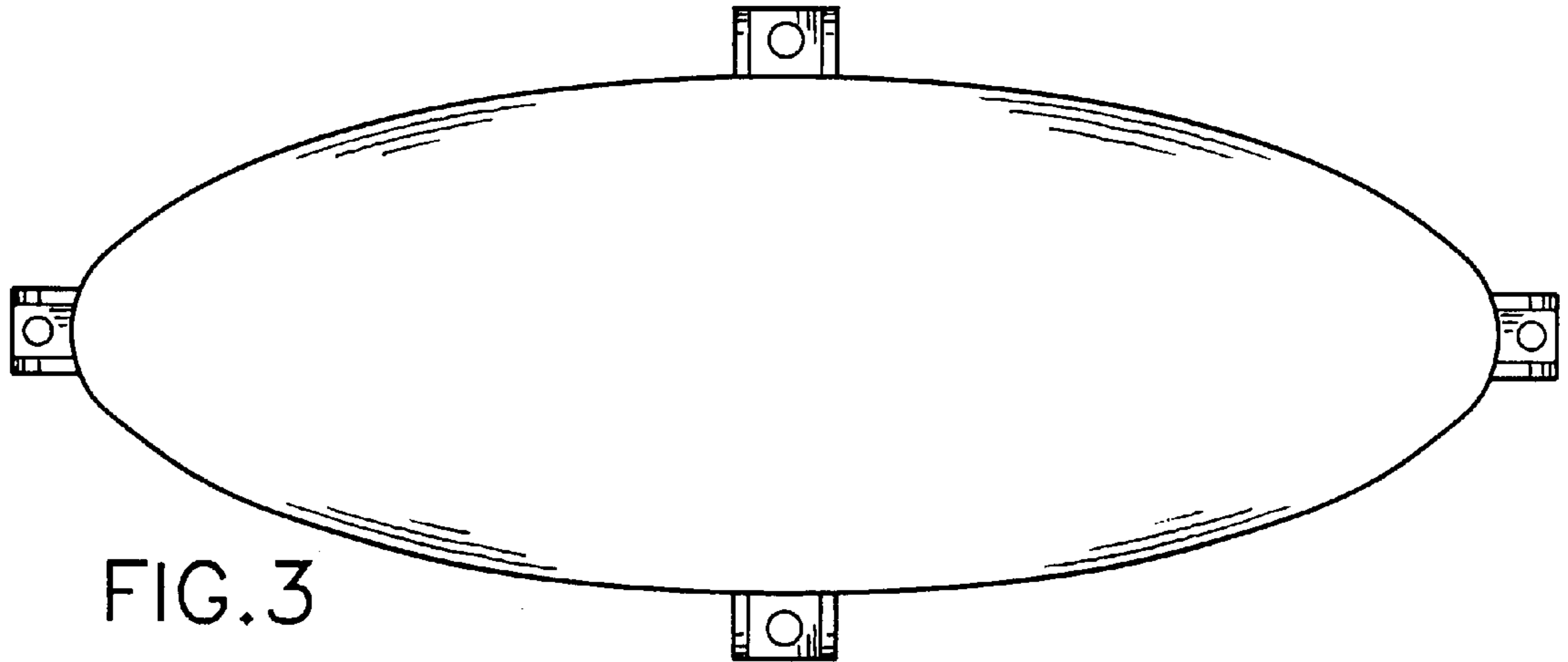


FIG. 3

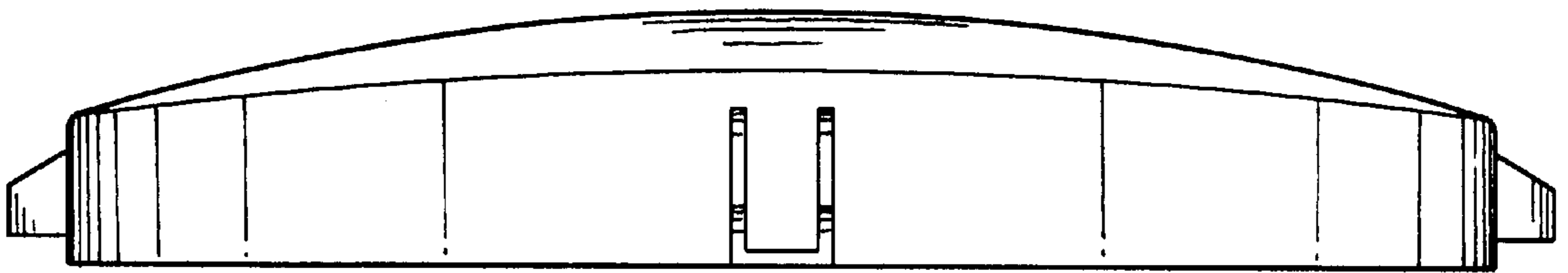


FIG. 4

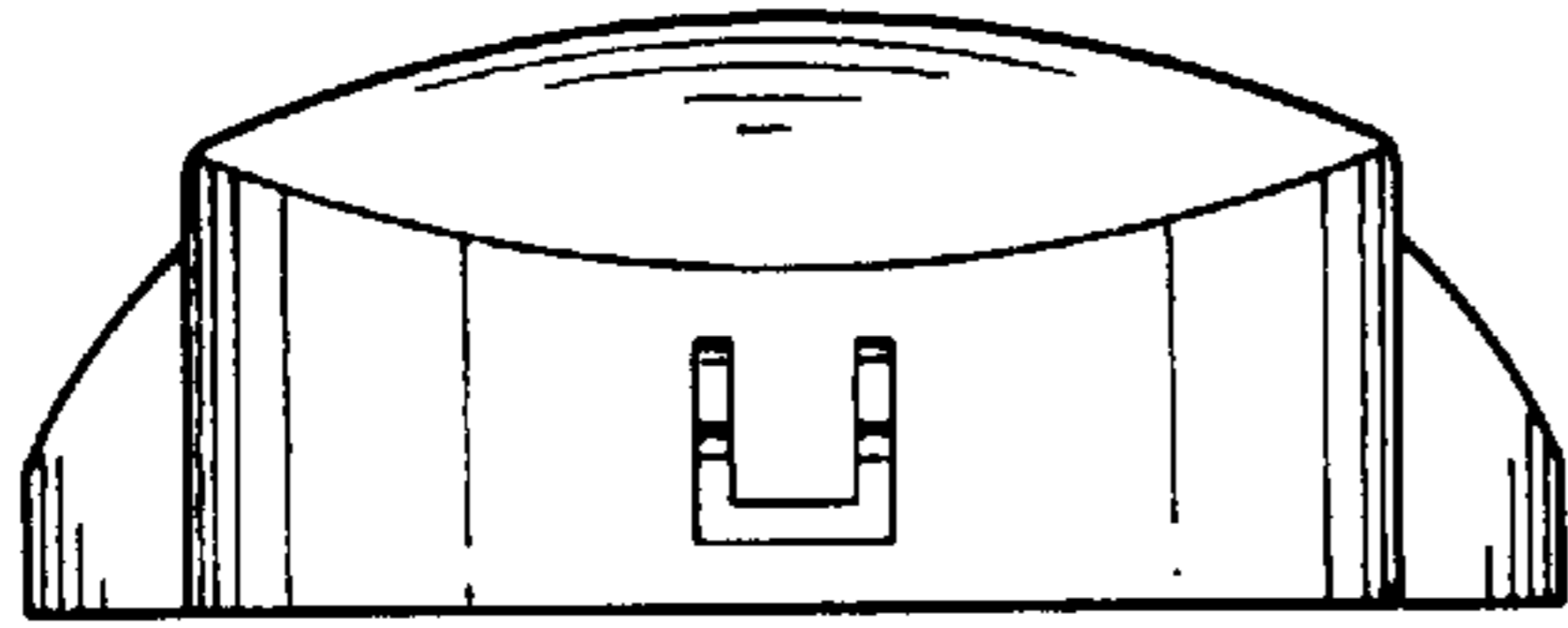


FIG. 5

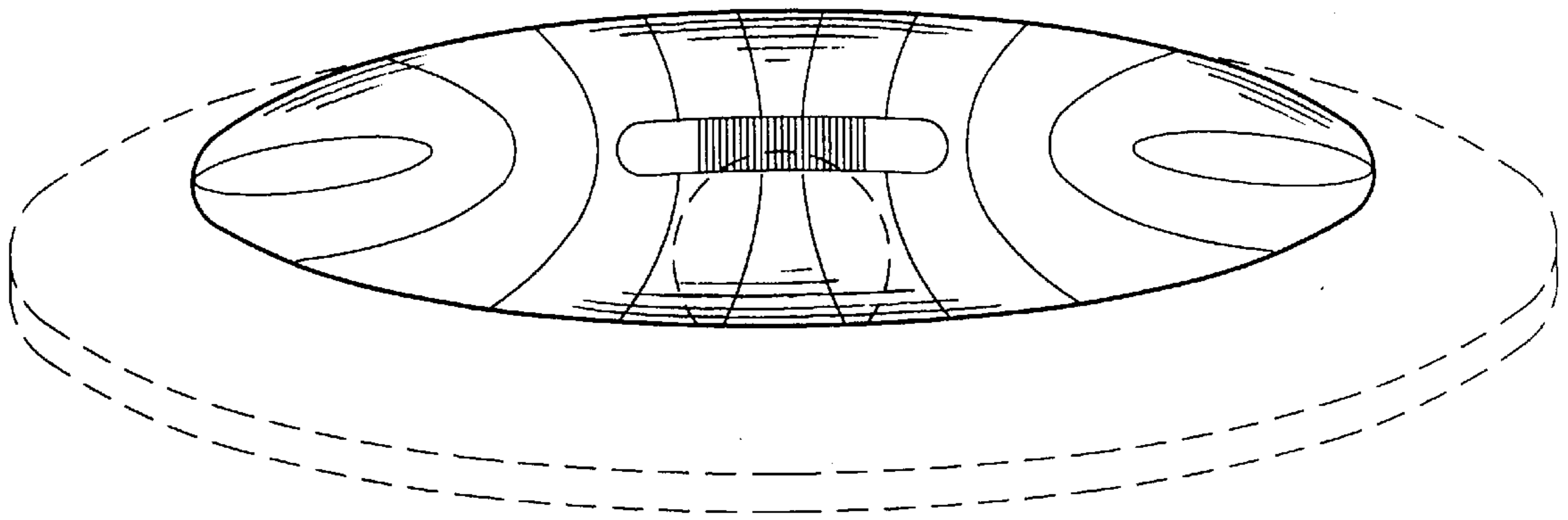


FIG. 6