



US00D465859S

(12) **United States Design Patent**
Lo

(10) **Patent No.:** **US D465,859 S**

(45) **Date of Patent:** **** Nov. 19, 2002**

(54) **LAMP**
(75) **Inventor:** **Ying Hoi Eddie Lo**, New Territories (HK)

(73) **Assignee:** **Lomak Industrial Co. Ltd.**, New Territories (HK)

(**) **Term:** **14 Years**

(21) **Appl. No.:** **29/150,012**

(22) **Filed:** **Oct. 30, 2001**

(51) **LOC (7) Cl.** **26-05**

(52) **U.S. Cl.** **D26/26**

(58) **Field of Search** D26/26, 93, 104, D26/107, 110, 112, 72; 362/338, 340, 226, 458

(56) **References Cited**

U.S. PATENT DOCUMENTS

D347,288 S	*	5/1994	Ham	D26/26
D425,221 S	*	5/2000	Burns	D26/26
D431,873 S	*	10/2000	Petterson et al.	D26/26
D432,688 S	*	10/2000	Petterson	D26/26
D439,686 S	*	3/2001	Petterson et al.	D26/26

6,276,813 B1	*	8/2001	Victor	362/226
D458,395 S	*	6/2002	Piegras et al.	D26/26
D459,503 S	*	6/2002	Chen	D26/26

* cited by examiner

Primary Examiner—Alan P. Douglas

Assistant Examiner—Clare E. Heflin

(74) *Attorney, Agent, or Firm*—Burns, Doane, Swecker & Mathis, L.L.P.

(57) **CLAIM**

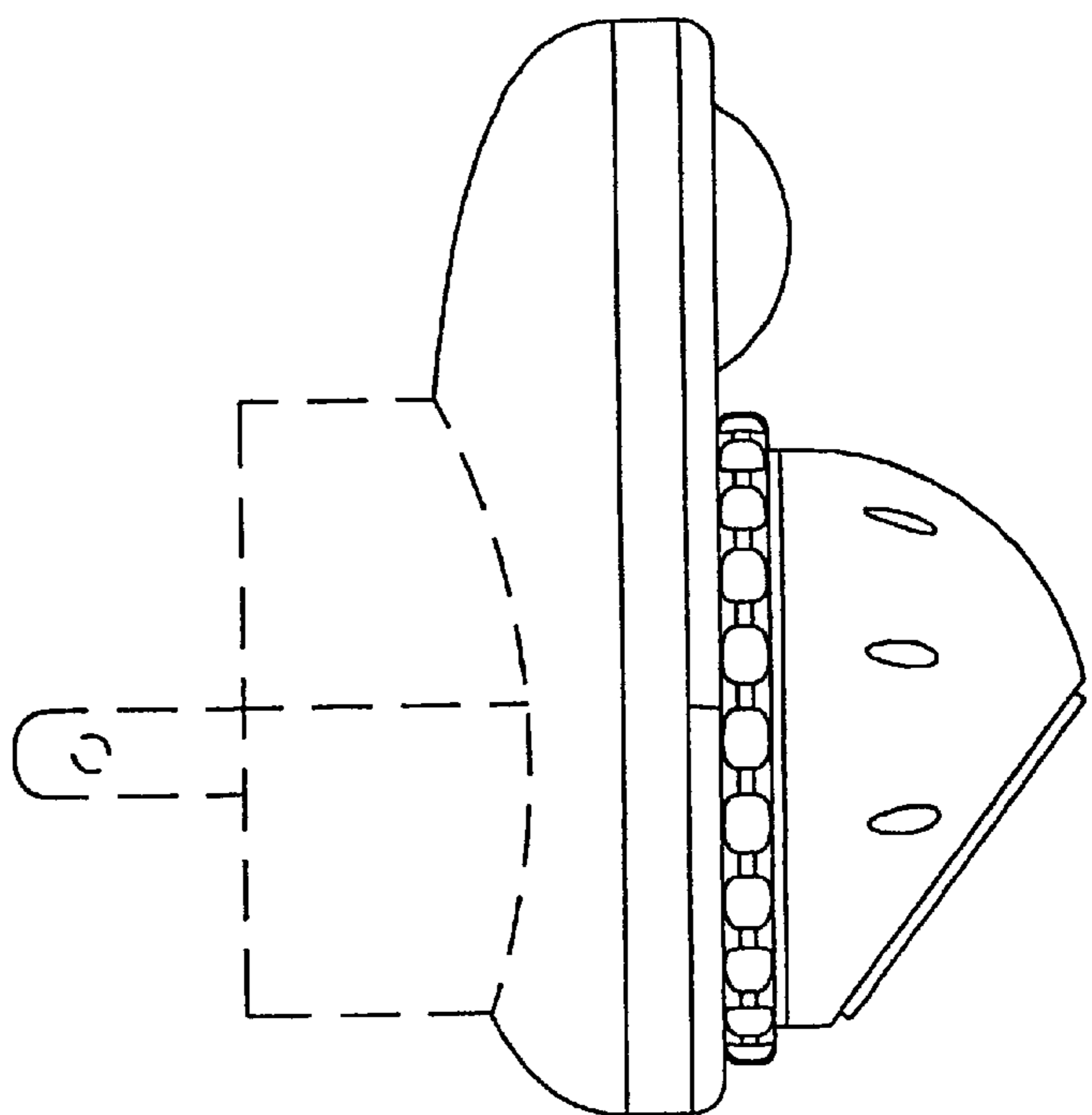
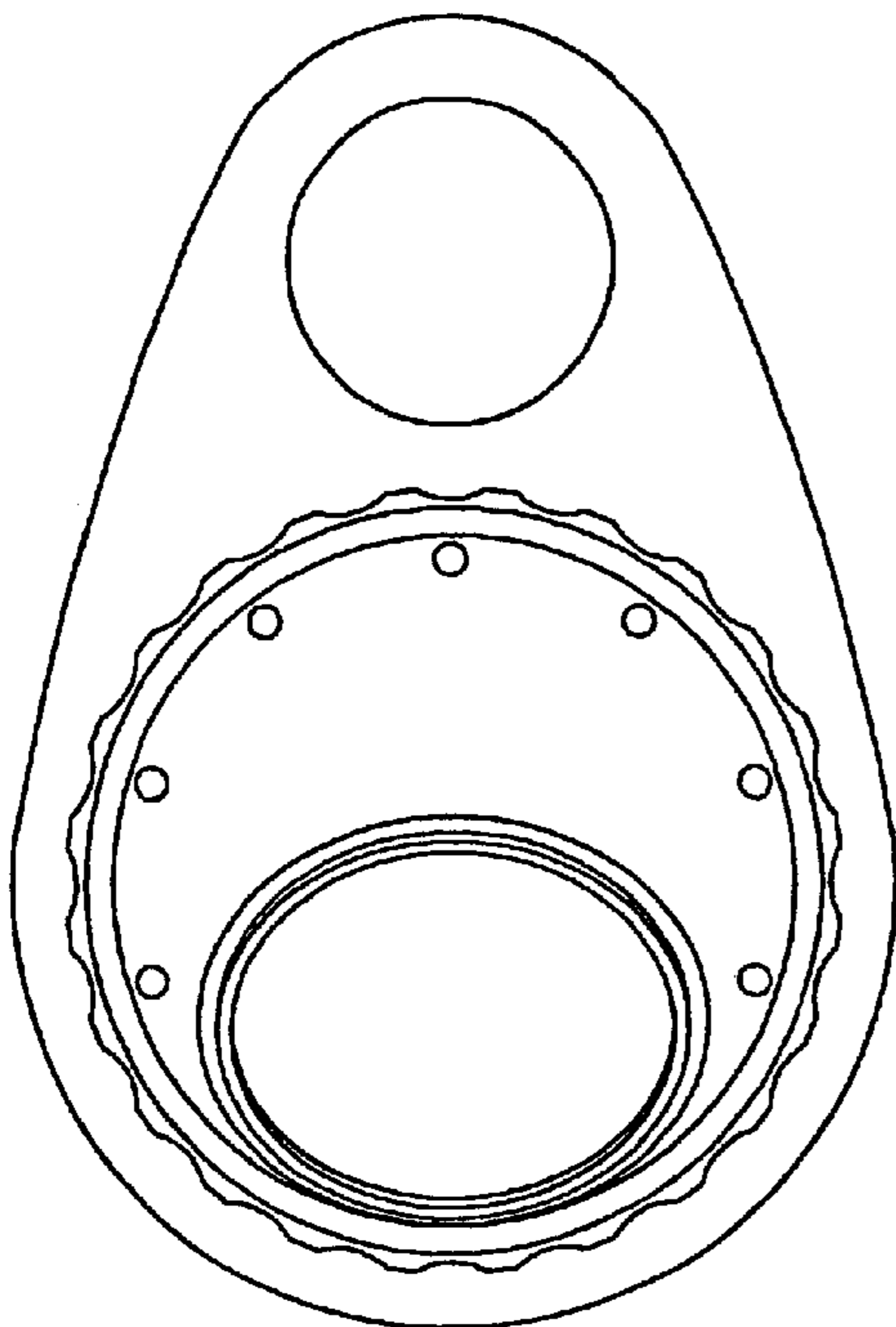
The ornamental design for “a lamp”, as shown and described.

DESCRIPTION

FIG. 1 is a front view of “a lamp” showing my design; FIG. 2 is a rear side view thereof; FIG. 3 is a left side view thereof; FIG. 4 is a right side view thereof; FIG. 5 is a top plan view thereof; and, FIG. 6 is a bottom plan view thereof.

In the above Figures, the portion that is shown in broken lines is for illustrative purpose only and forms no part of the claimed design.

1 Claim, 3 Drawing Sheets



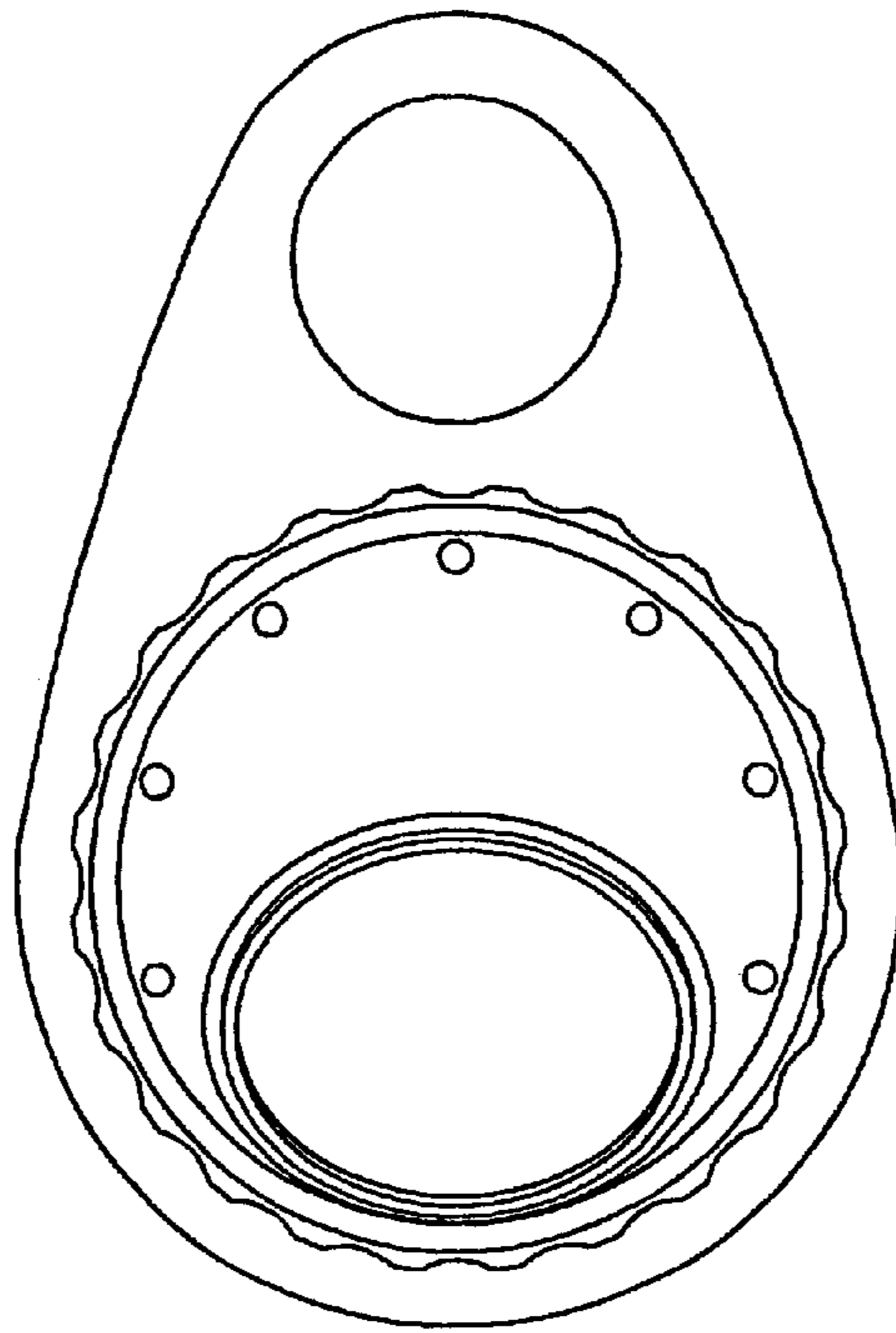


FIG. 1

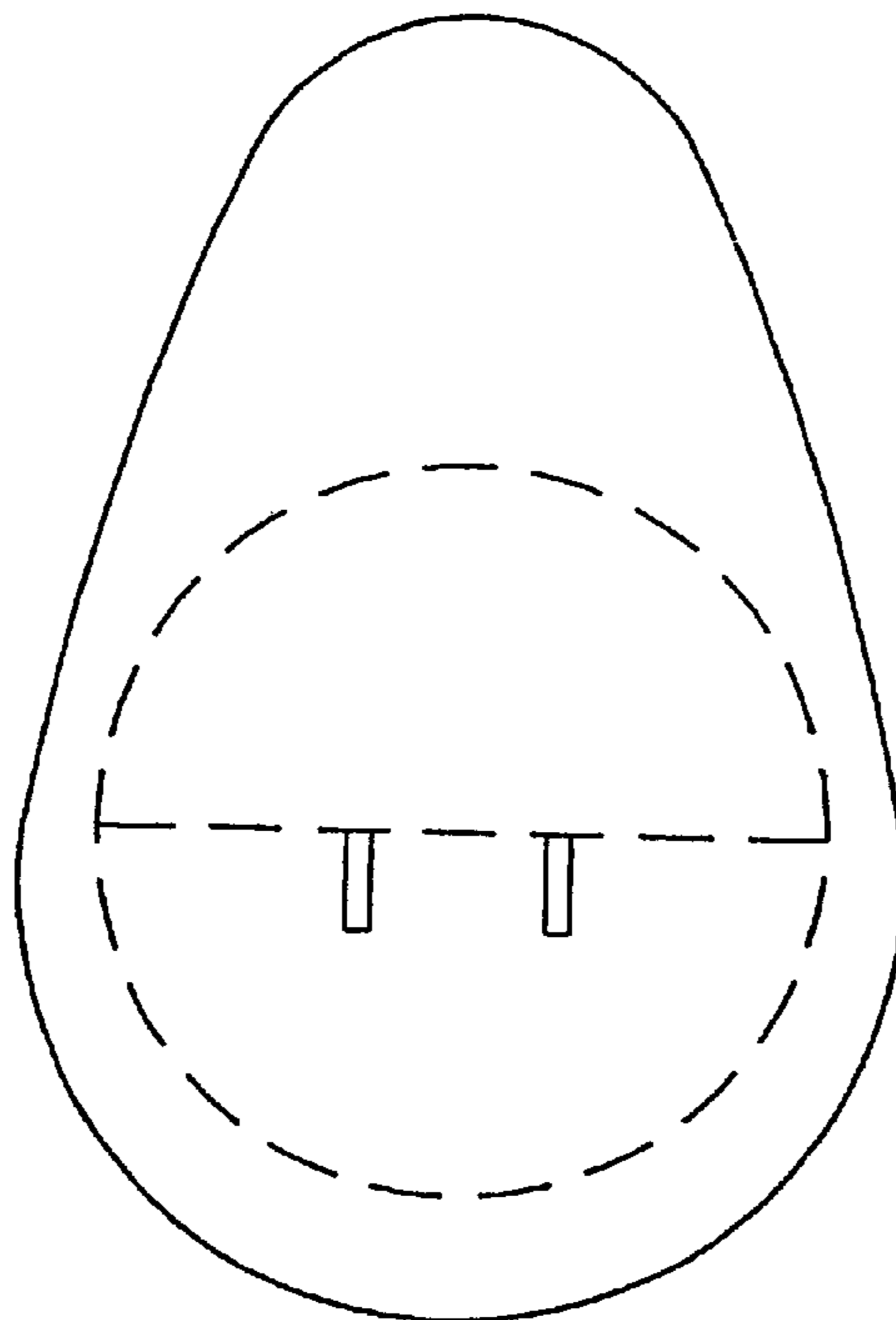


FIG. 2

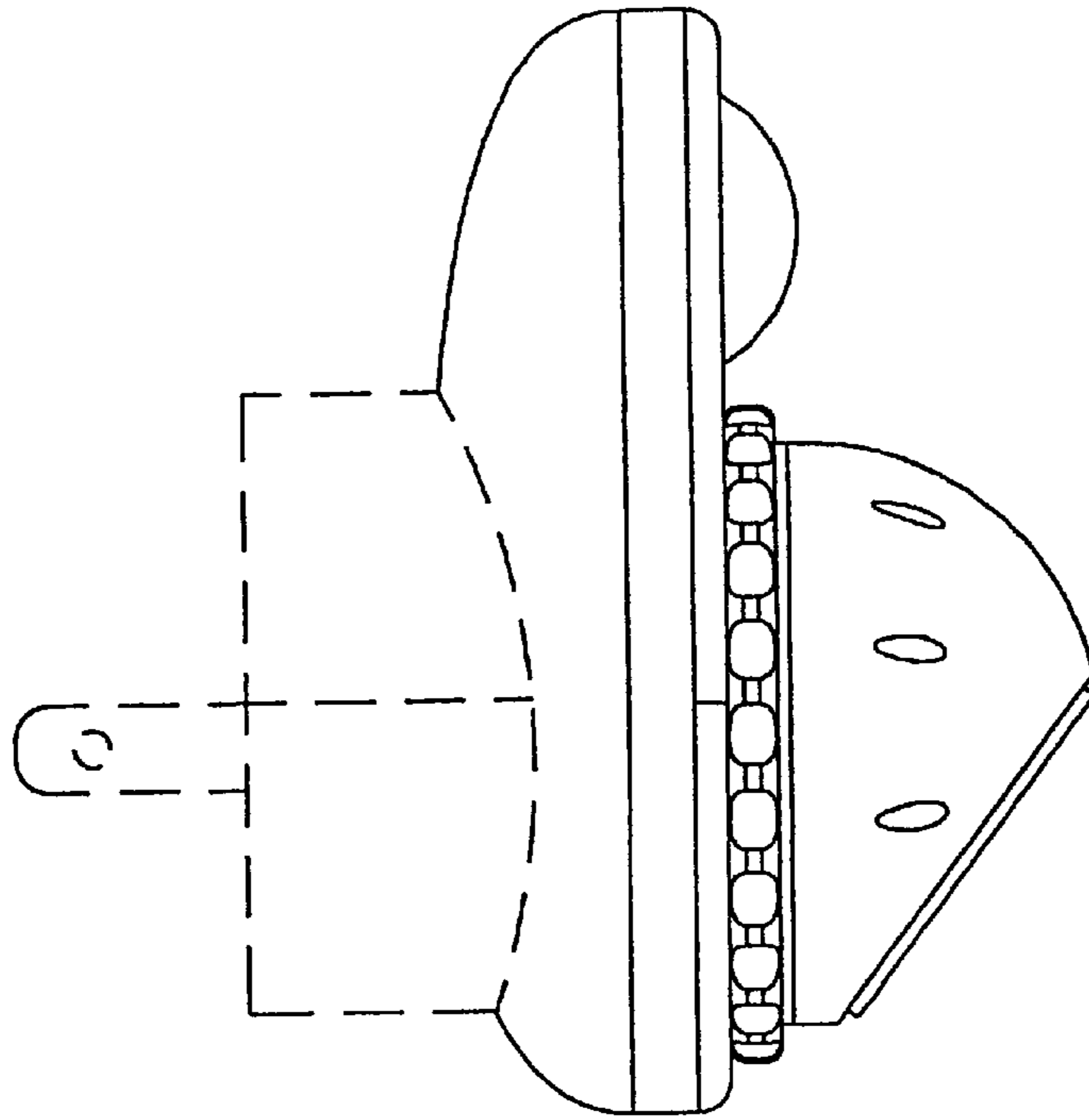


FIG. 3

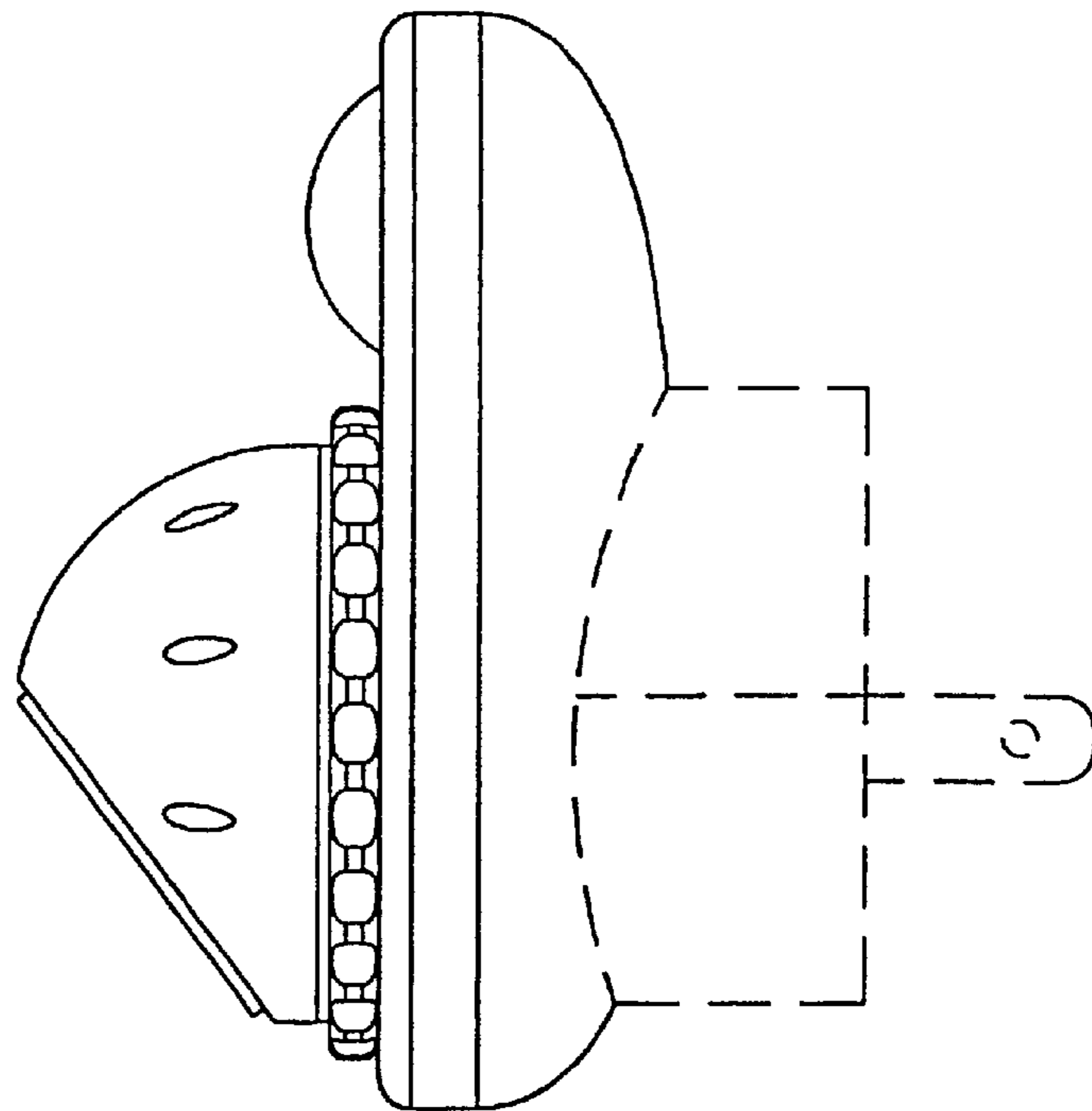


FIG. 4

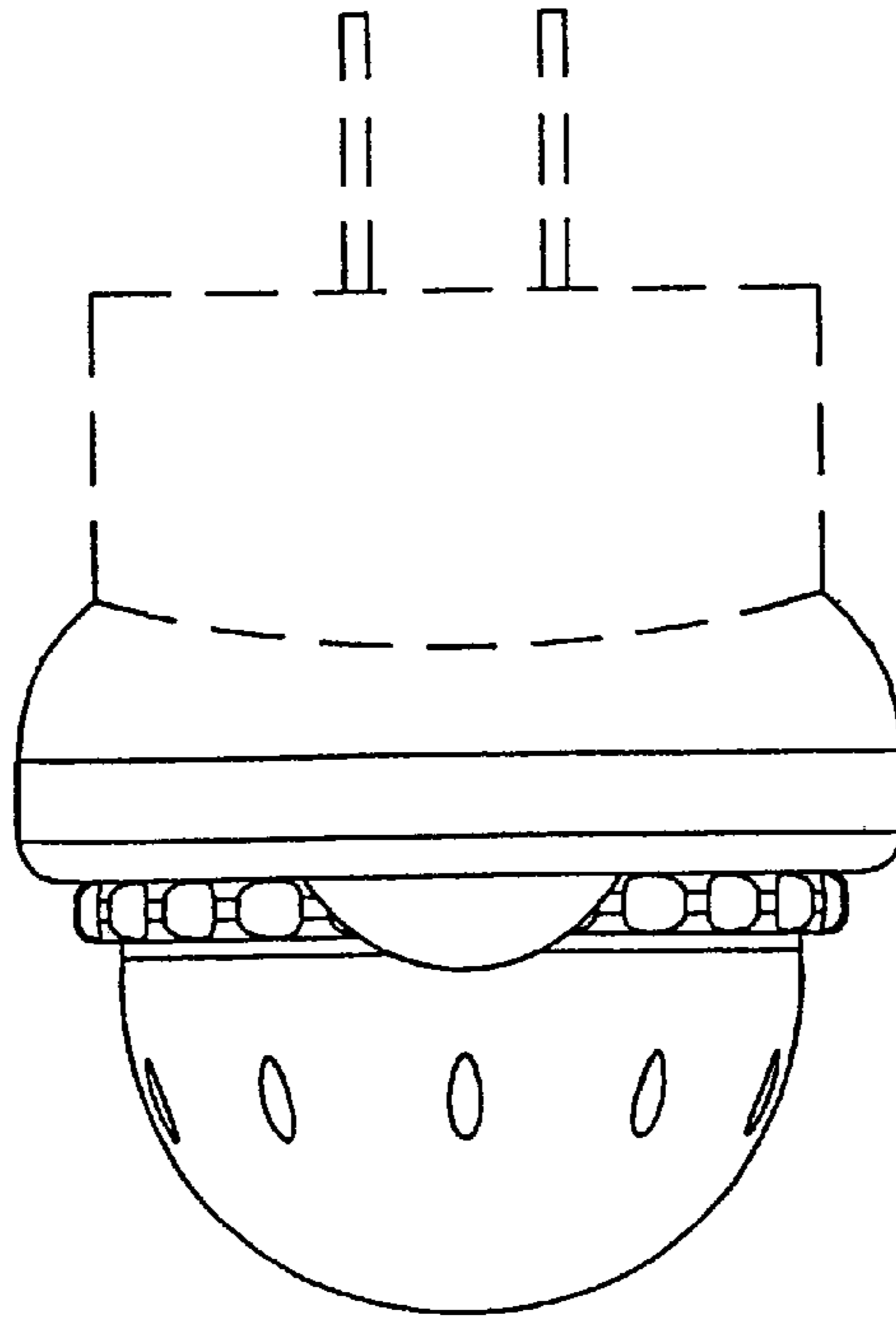


FIG. 5

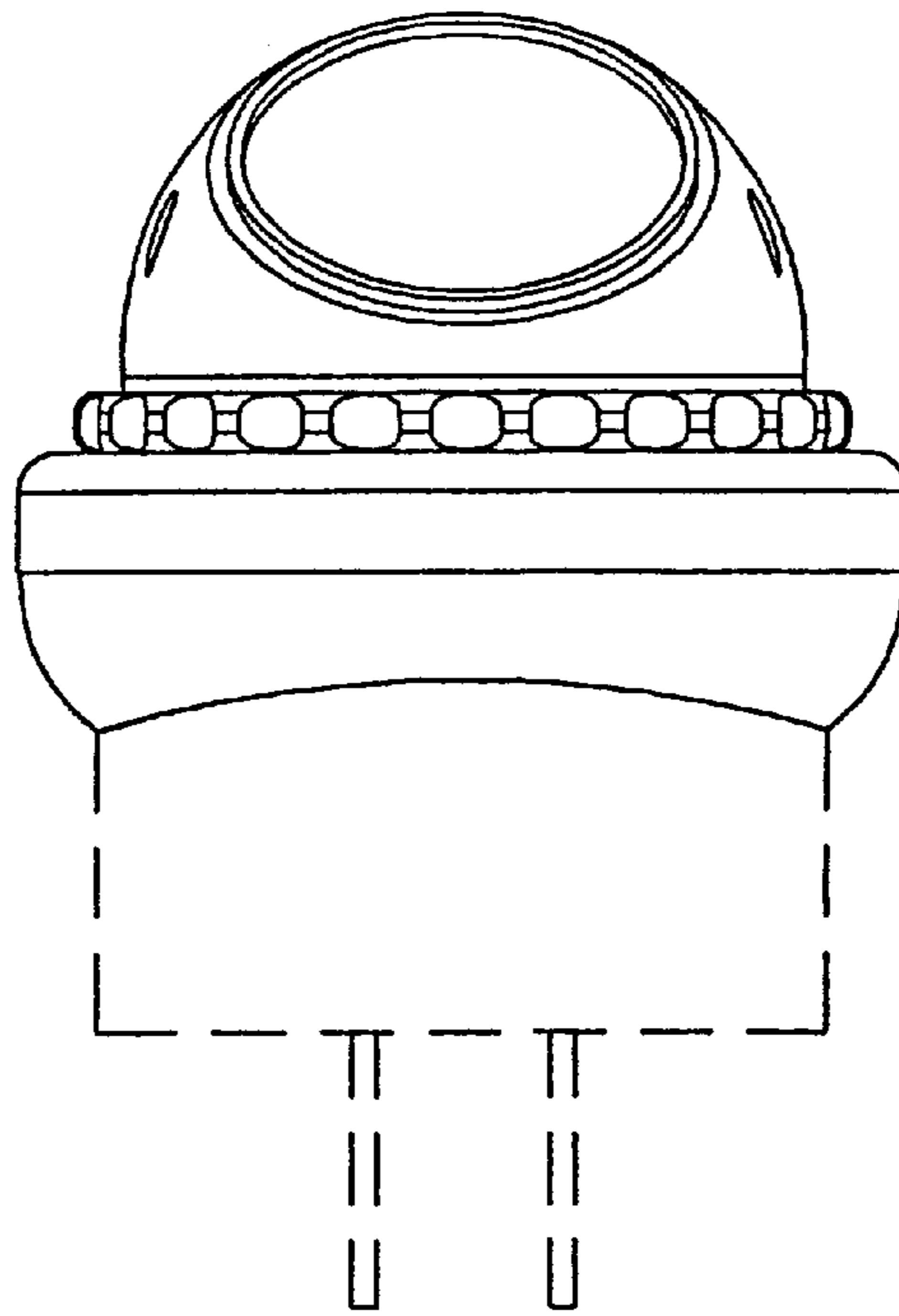


FIG. 6