



US00D465857S

(12) **United States Design Patent**
Ardern

(10) **Patent No.:**

US D465,857 S

(45) **Date of Patent:**

**** Nov. 19, 2002**

(54) **GROUND-DECKING PANEL**

(76) Inventor: **Fergus Johnathan Ardern**, Eastwood,
Folgate Lane Old Costessey, Norwich,
Norfolk, NR8 5EF (GB)

(**) Term: **14 Years**

(21) Appl. No.: **29/139,736**

(22) Filed: **Apr. 5, 2001**

(30) **Foreign Application Priority Data**

Oct. 7, 2000 (GB) 2096478

(51) **LOC (7) Cl.** **25-01**

(52) **U.S. Cl.** **D25/138**

(58) **Field of Search** D25/138; 52/79.6,
52/578, 580, 582.2, 588.1

(56) **References Cited**

U.S. PATENT DOCUMENTS

3,500,606 A	3/1970	Wharmby	52/589
4,289,818 A	9/1981	Casamayor	428/43
4,373,306 A	2/1983	Rech	52/98
5,511,353 A *	4/1996	Jones	52/536
5,836,125 A	11/1998	Regina	52/306
D418,926 S *	1/2000	Owens et al.	D25/138
D421,502 S *	3/2000	Felch et al.	D25/138
D427,332 S *	6/2000	Bryan	D25/138
6,089,784 A	7/2000	Ardern	404/41

FOREIGN PATENT DOCUMENTS

CH	540 398	9/1973	E01C/5/20
CH	666 708	8/1988	E01C/5/16
DE	1 509 841	6/1969	E04F/15/02
DE	86 32 856	3/1987	E01C/5/18
DE	94 21 260	9/1995	A01G/9/02
EP	0 176 645	4/1986	E04F/15/024
EP	0 286 395	10/1988	E01C/9/08

FR	2 240 320	3/1975	E01C/5/20
FR	2 536 150	5/1984	F16S/1/14
GB	2 101 174	1/1983	E04C/1/30
WO	91/13208	9/1991	E01C/9/08
WO	97/18353	5/1997	E01C/9/08

* cited by examiner

Primary Examiner—Stella Reid

(74) *Attorney, Agent, or Firm*—Synnestvedt & Lechner
LLP

(57) **CLAIM**

The ornamental design for a ground decking panel, as shown
and described.

DESCRIPTION

FIG. 1 is a top plan view of a ground-decking panel showing
the new design;

FIG. 2 is an underside plan view thereof;

FIG. 3 is a first side view thereof;

FIG. 4 is a second side view thereof;

FIG. 5 is a first fragmentary perspective end view thereof;

FIG. 6 is a second fragmentary perspective end view thereof;

FIG. 7 is a fragmentary perspective view of the ground-
decking panel which includes additional ramp and plug
components, shown separated;

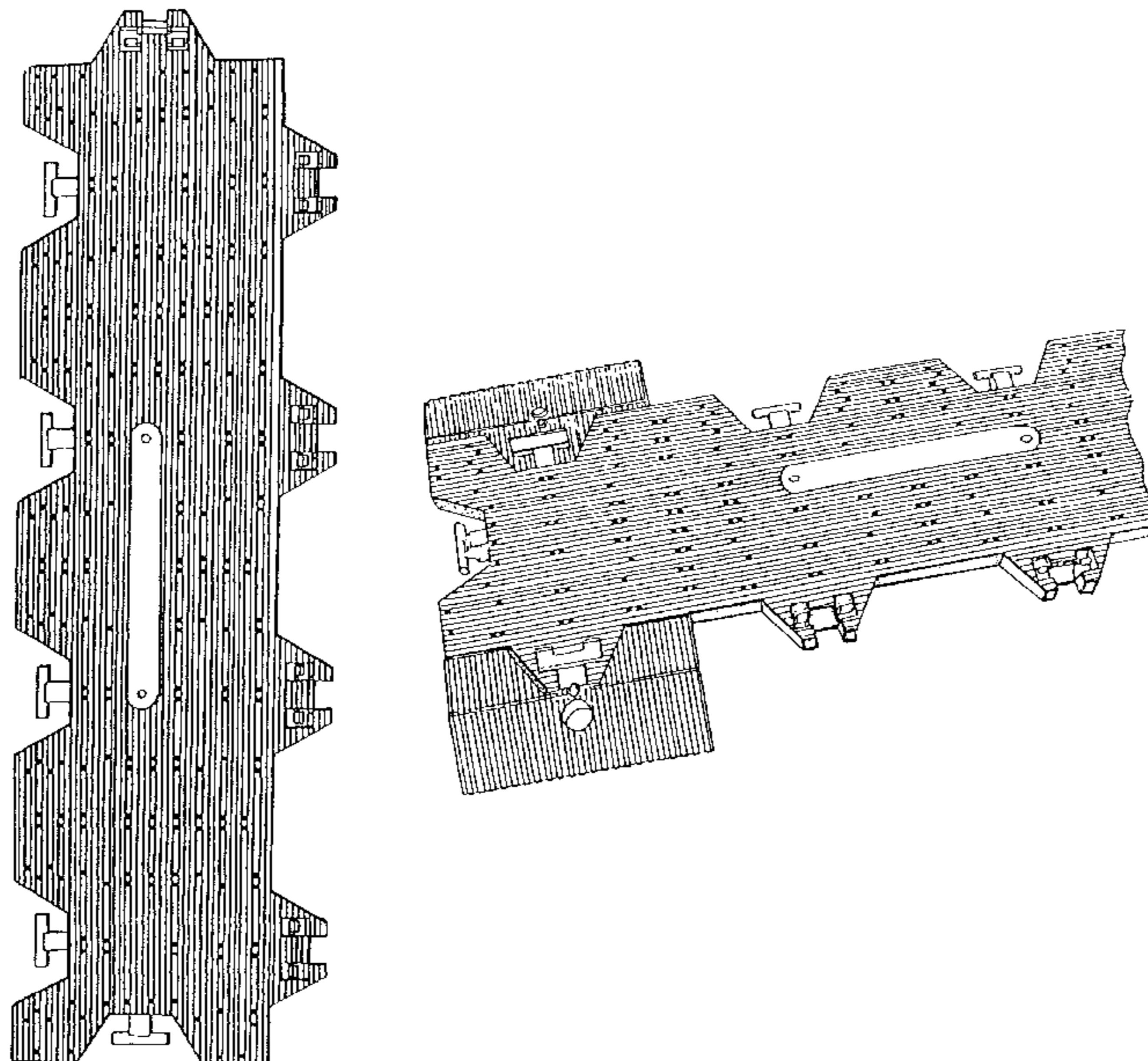
FIG. 8 is a fragmentary perspective view of the embodiment
shown in FIG. 7, also including additional ramp and plug
components, joined in a first possible configuration;

FIG. 9 is a fragmentary perspective view of the embodiment
shown in FIG. 7, also including additional ramp and plug
components, joined in a second possible configuration;

FIG. 10 is a first perspective view of the additional ramp and
plug components, separated; and,

FIG. 11 is a second perspective view of the additional ramp and
plug components, separated.

1 Claim, 6 Drawing Sheets



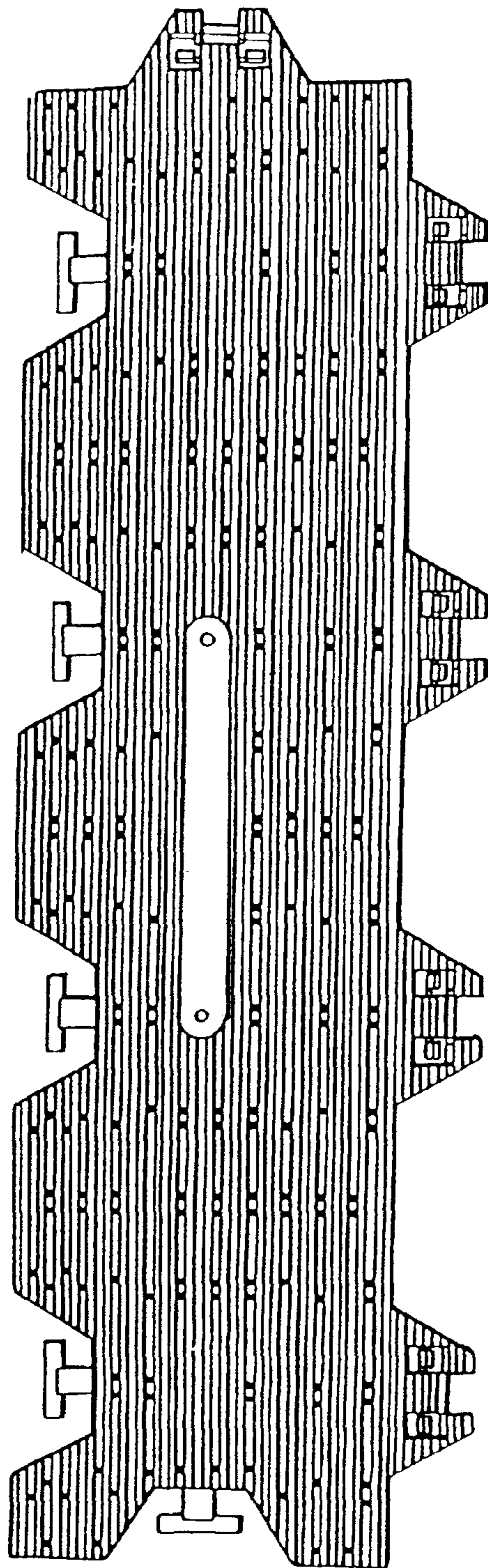


FIG. 1

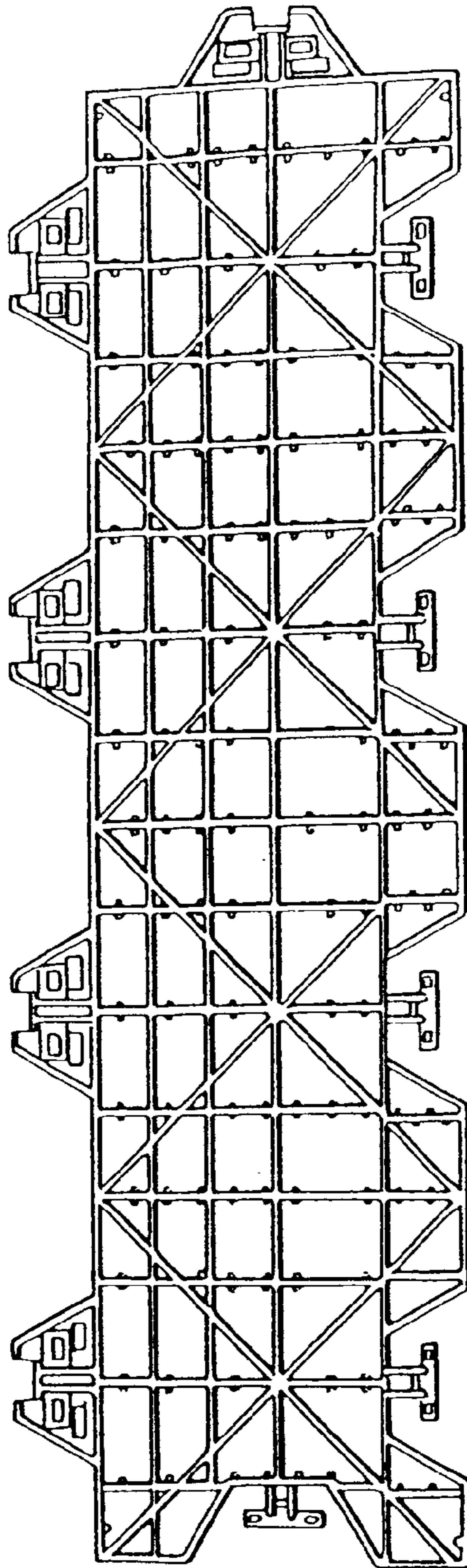


FIG. 2

FIG. 3

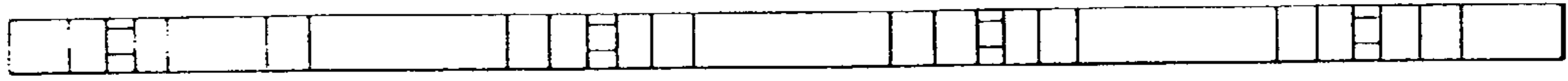


FIG. 4

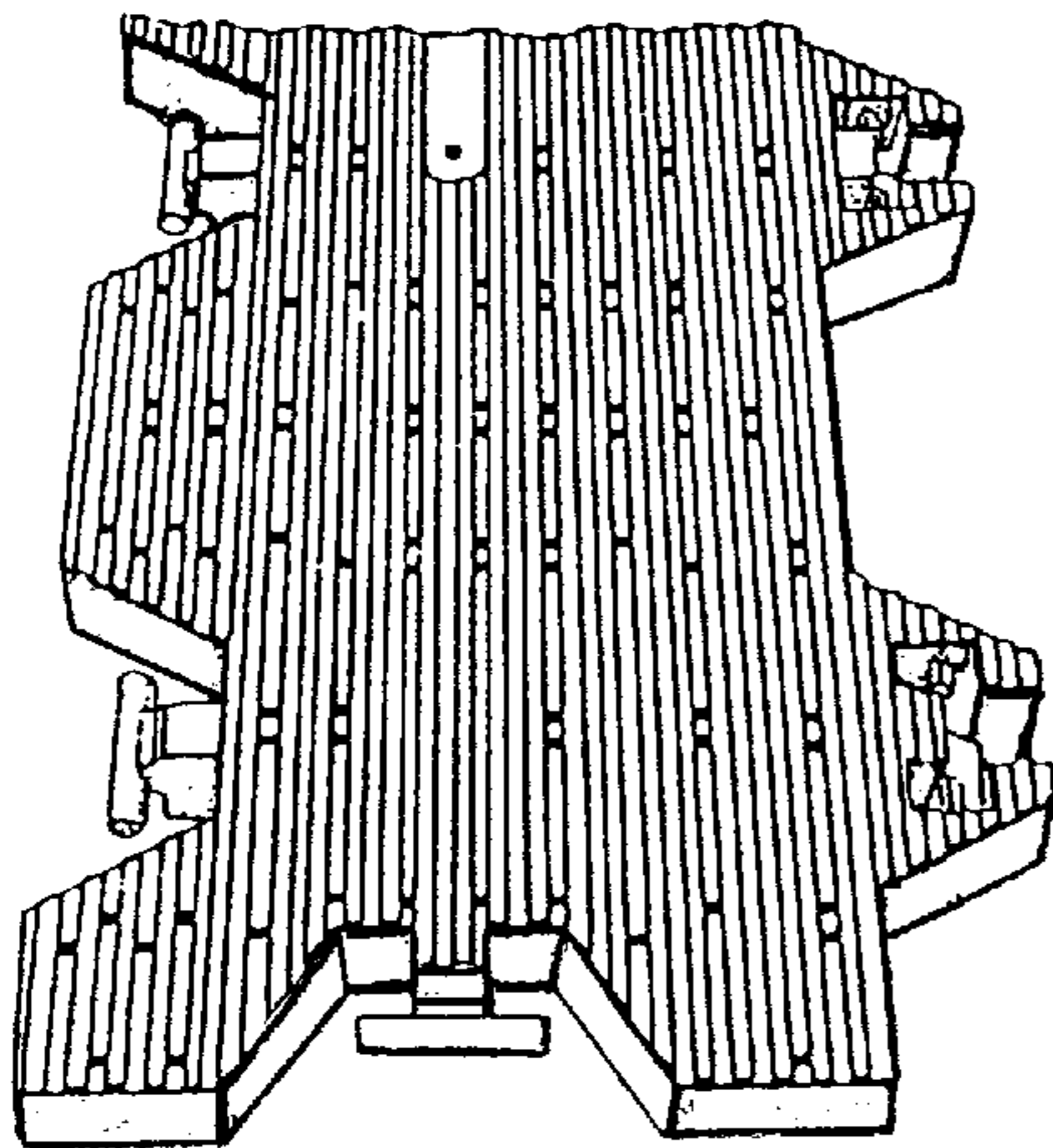
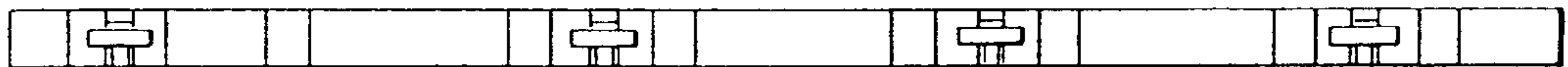


FIG. 5

FIG. 6

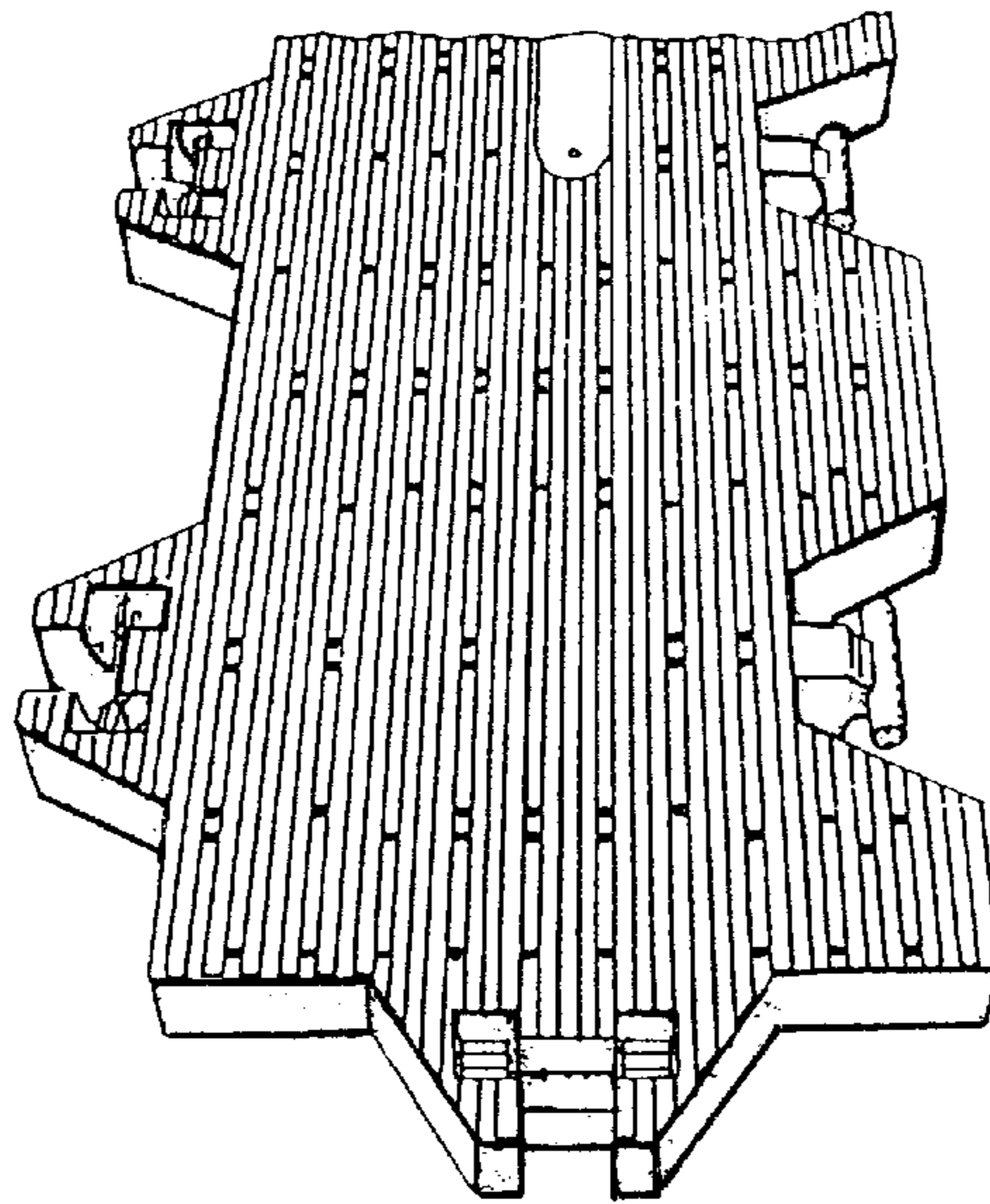


FIG. 7

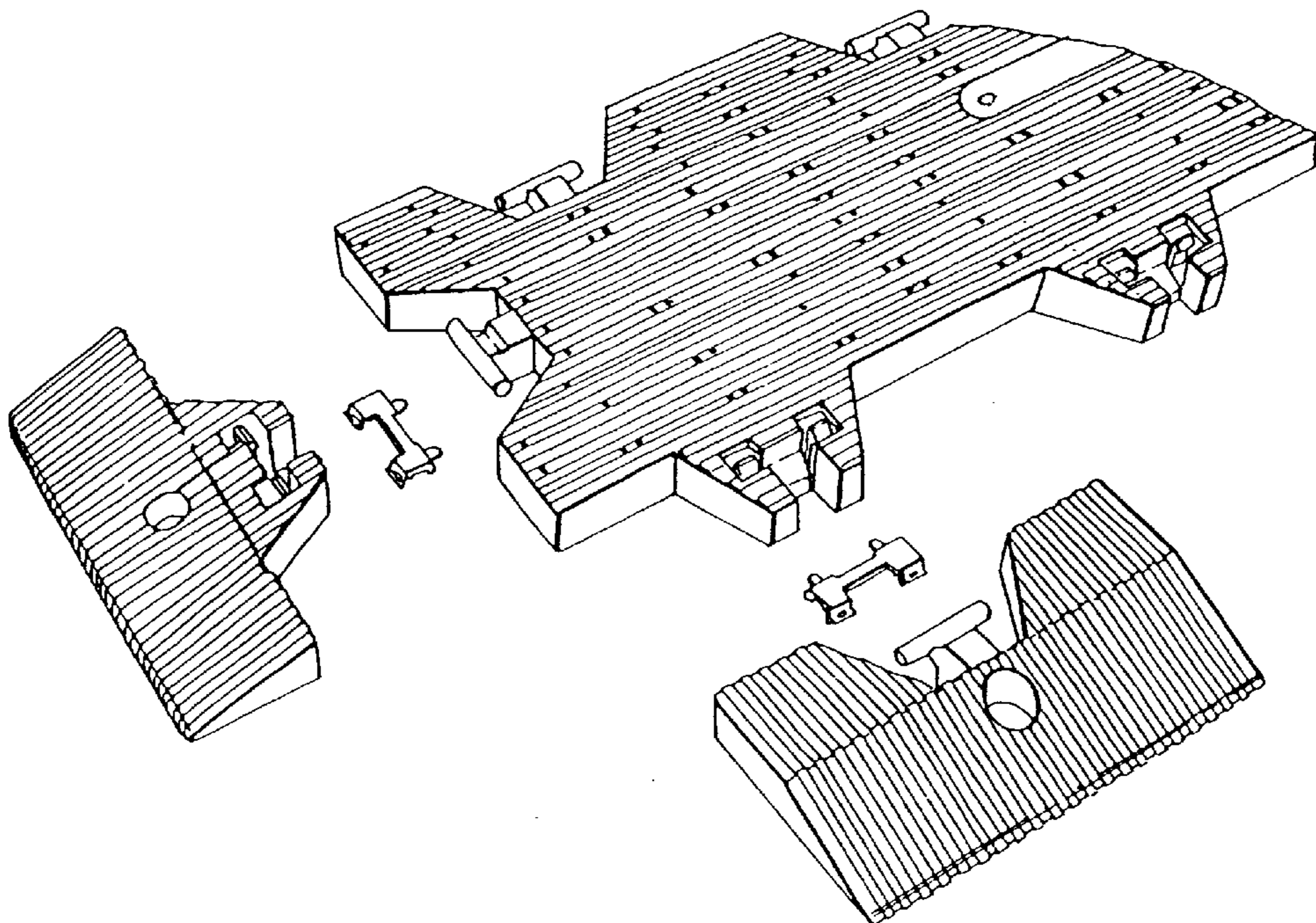


FIG. 8

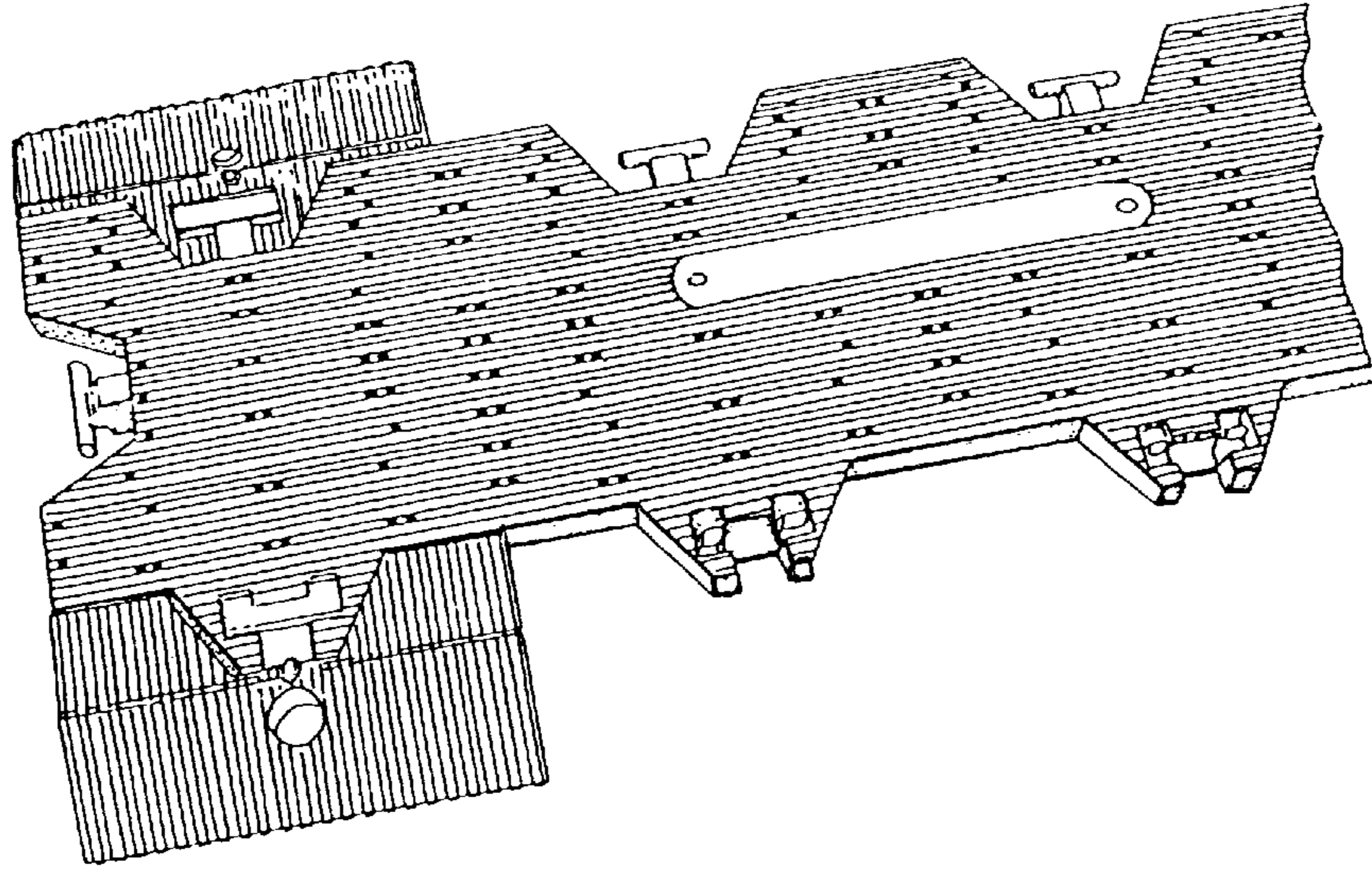


FIG. 9

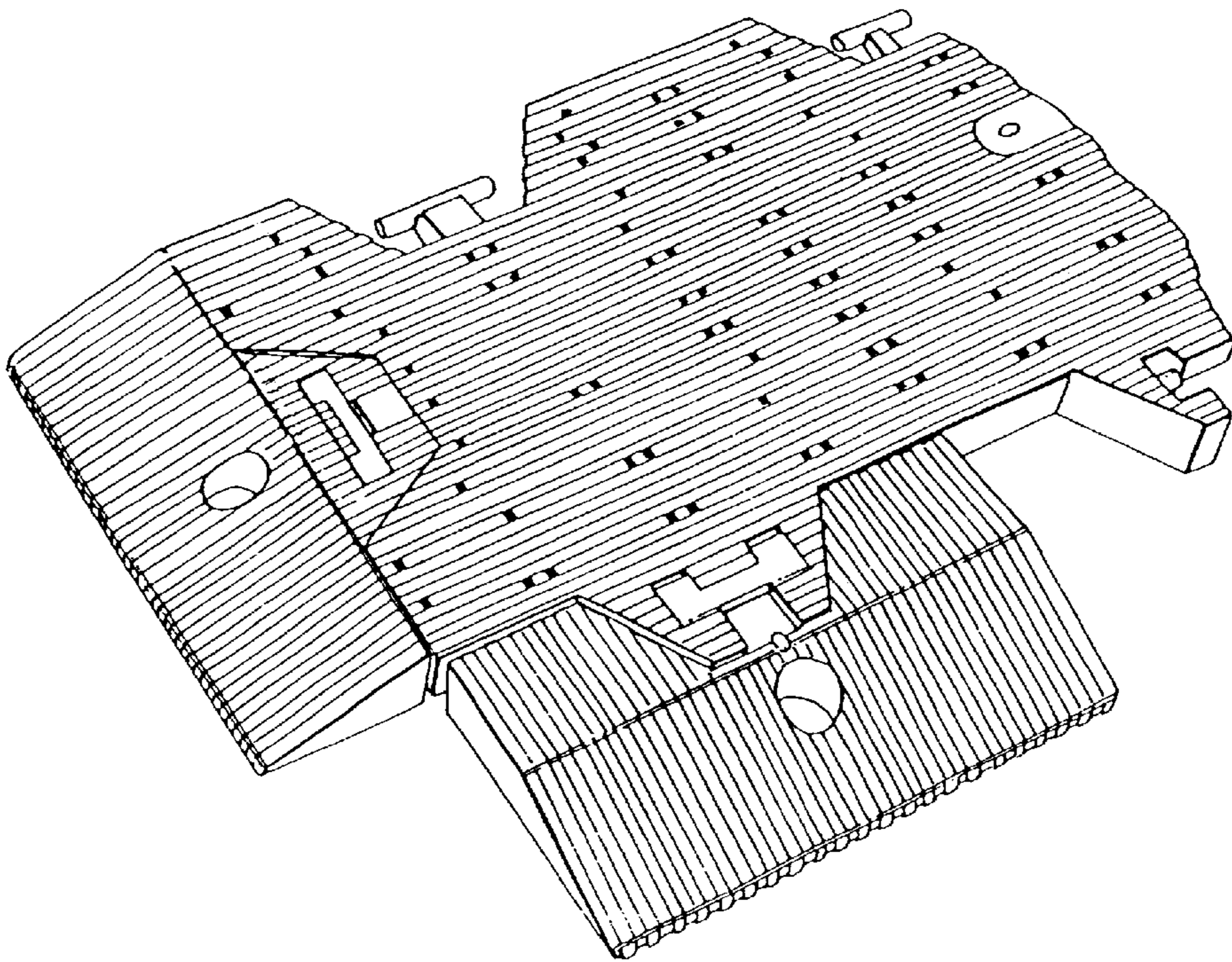


FIG.10

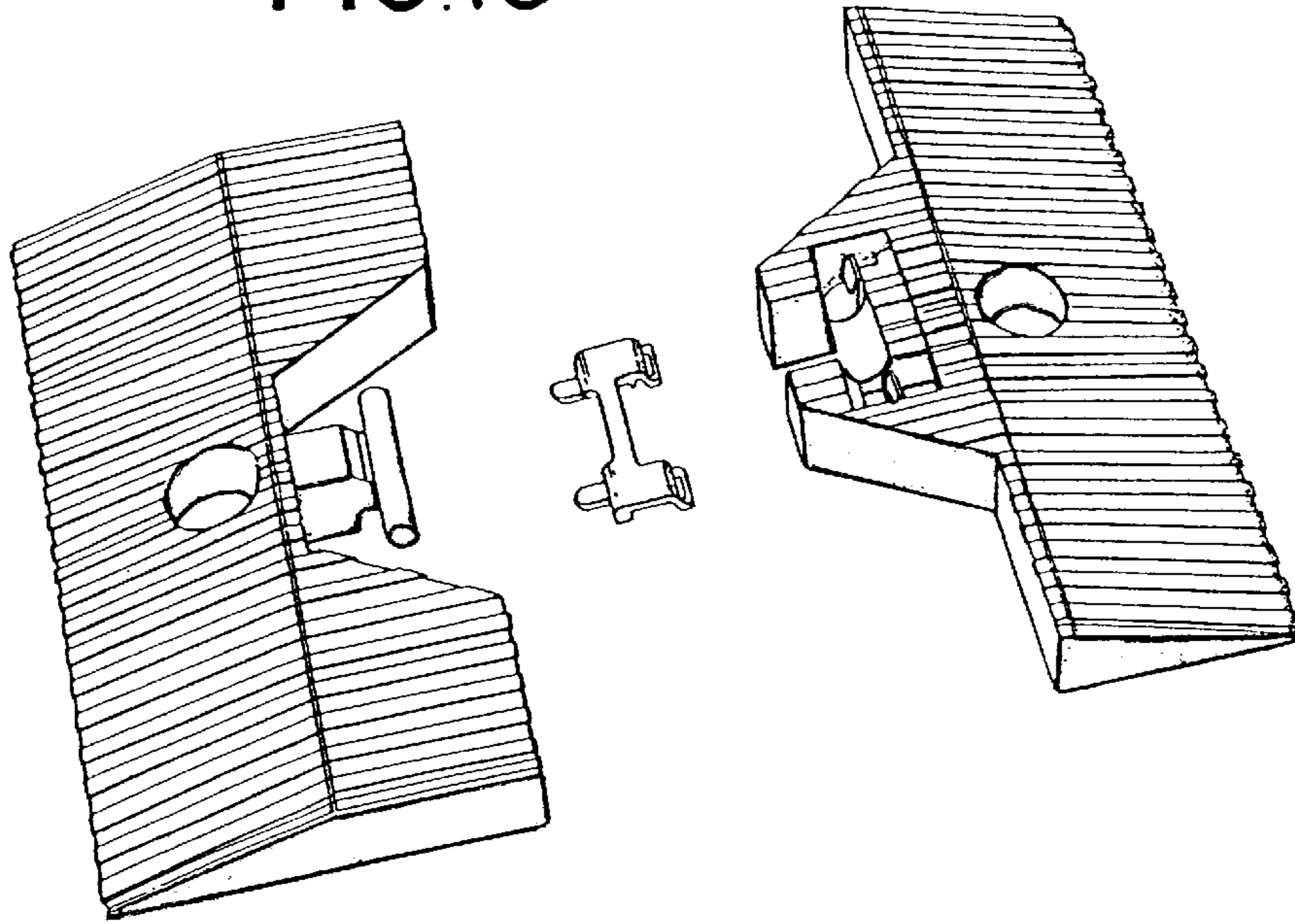


FIG.11

