



US00D465850S

(12) **United States Design Patent**
Takizawa

(10) **Patent No.:** **US D465,850 S**

(45) **Date of Patent:** **** Nov. 19, 2002**

(54) **REFRACTOMETER**

(75) Inventor: **Sakiko Takizawa, Tokyo (JP)**

(73) Assignee: **Canon Kabushiki Kaisha, Tokyo (JP)**

(**) Term: **14 Years**

(21) Appl. No.: **29/149,997**

(22) Filed: **Oct. 29, 2001**

(30) **Foreign Application Priority Data**

May 8, 2001 (JP) 2001-013115

(51) **LOC (7) Cl.** **24-01**

(52) **U.S. Cl.** **D24/172**

(58) **Field of Search** D24/172; D10/46;
351/1, 6, 7, 23, 27, 28, 24, 39, 200; 356/128-137

(56) **References Cited**

U.S. PATENT DOCUMENTS

D297,645 S * 9/1988 Nishimura D16/130
D316,144 S * 4/1991 Nishimura D24/172

D320,077 S * 9/1991 Koizumi D24/172
D327,024 S * 6/1992 Elie D10/46
D341,541 S * 11/1993 Ichiyoshi D10/46

* cited by examiner

Primary Examiner—Stella Reid

(74) *Attorney, Agent, or Firm*—Fitzpatrick, Cella, Harper & Scinto

(57) **CLAIM**

The ornamental design for a refractometer, as shown and described.

DESCRIPTION

FIG. 1 is a front view of a refractometer showing my new design;

FIG. 2 is a rear view thereof;

FIG. 3 is a top plan view thereof;

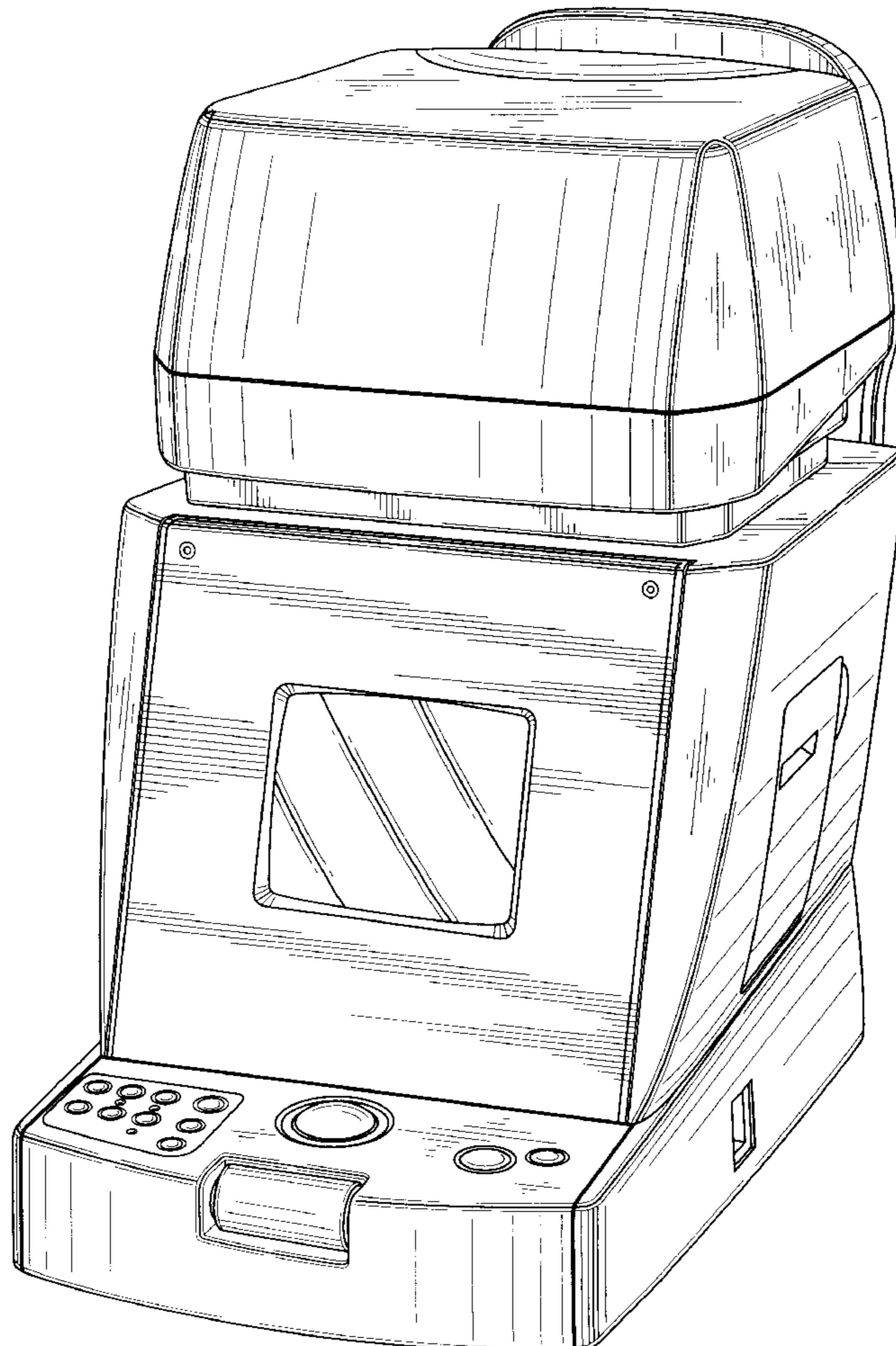
FIG. 4 is a bottom plan view thereof;

FIG. 5 is a left side view thereof;

FIG. 6 is a right side view thereof; and,

FIG. 7 is a perspective view thereof.

1 Claim, 7 Drawing Sheets



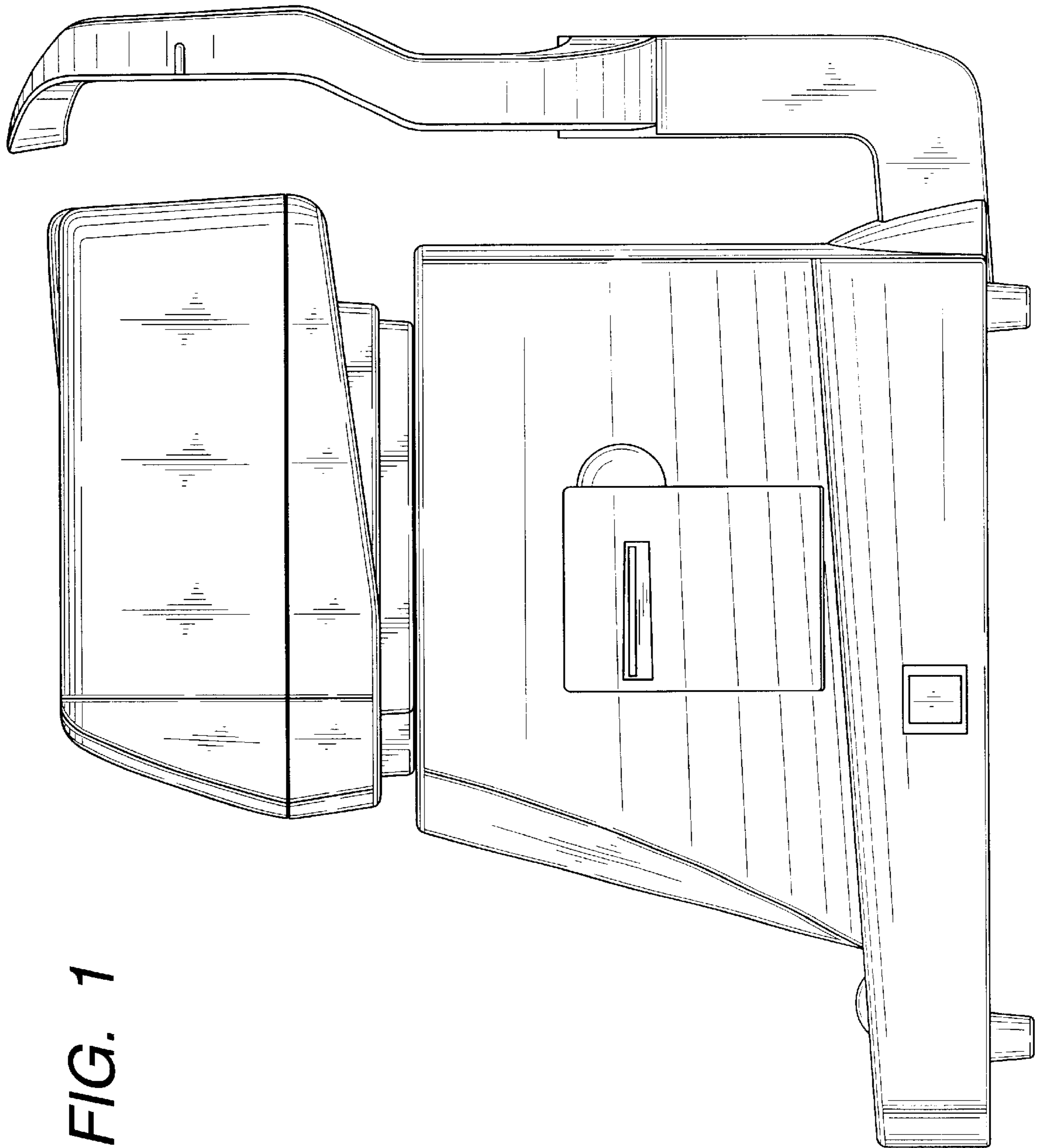


FIG. 1

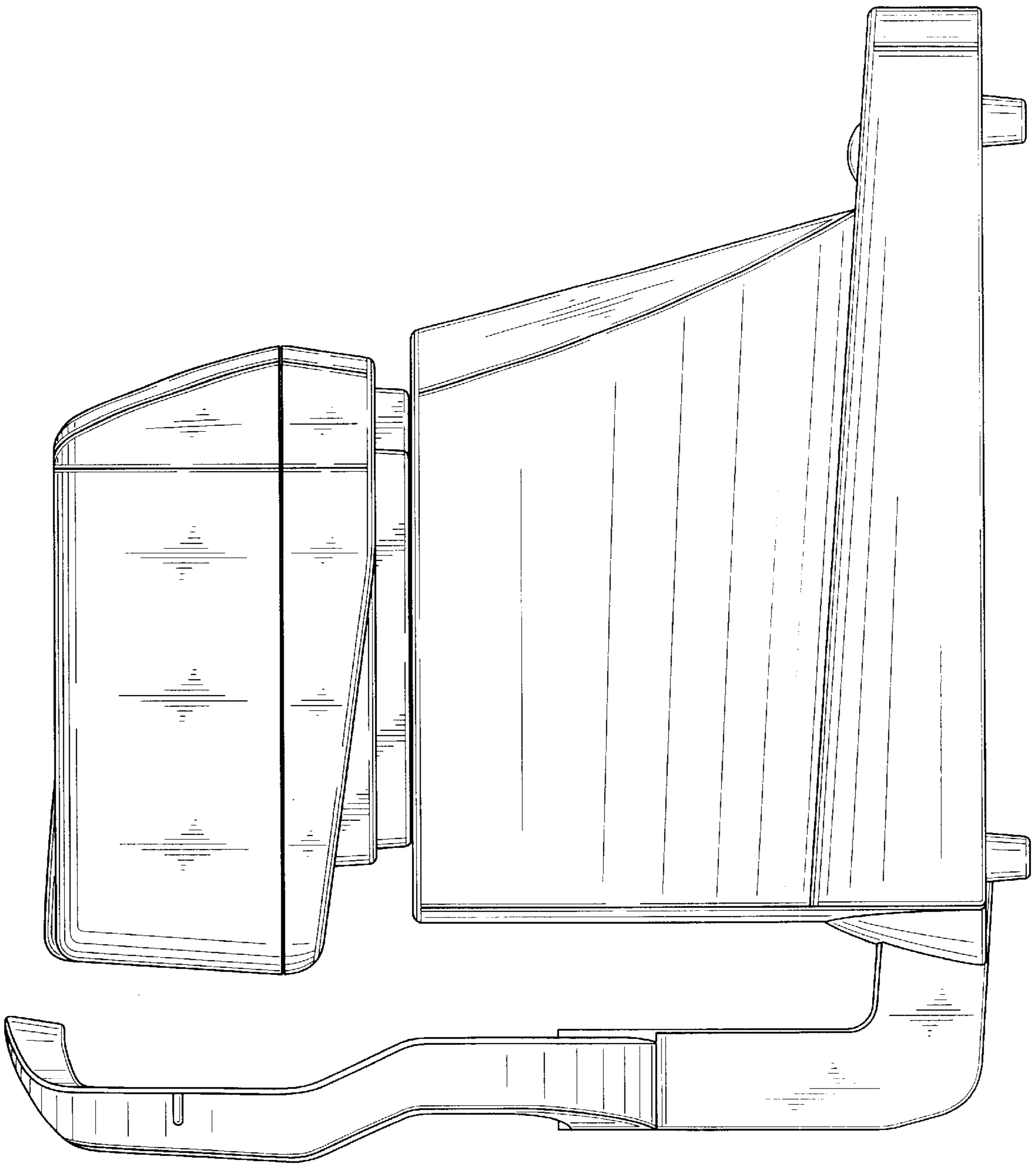


FIG. 2

FIG. 3

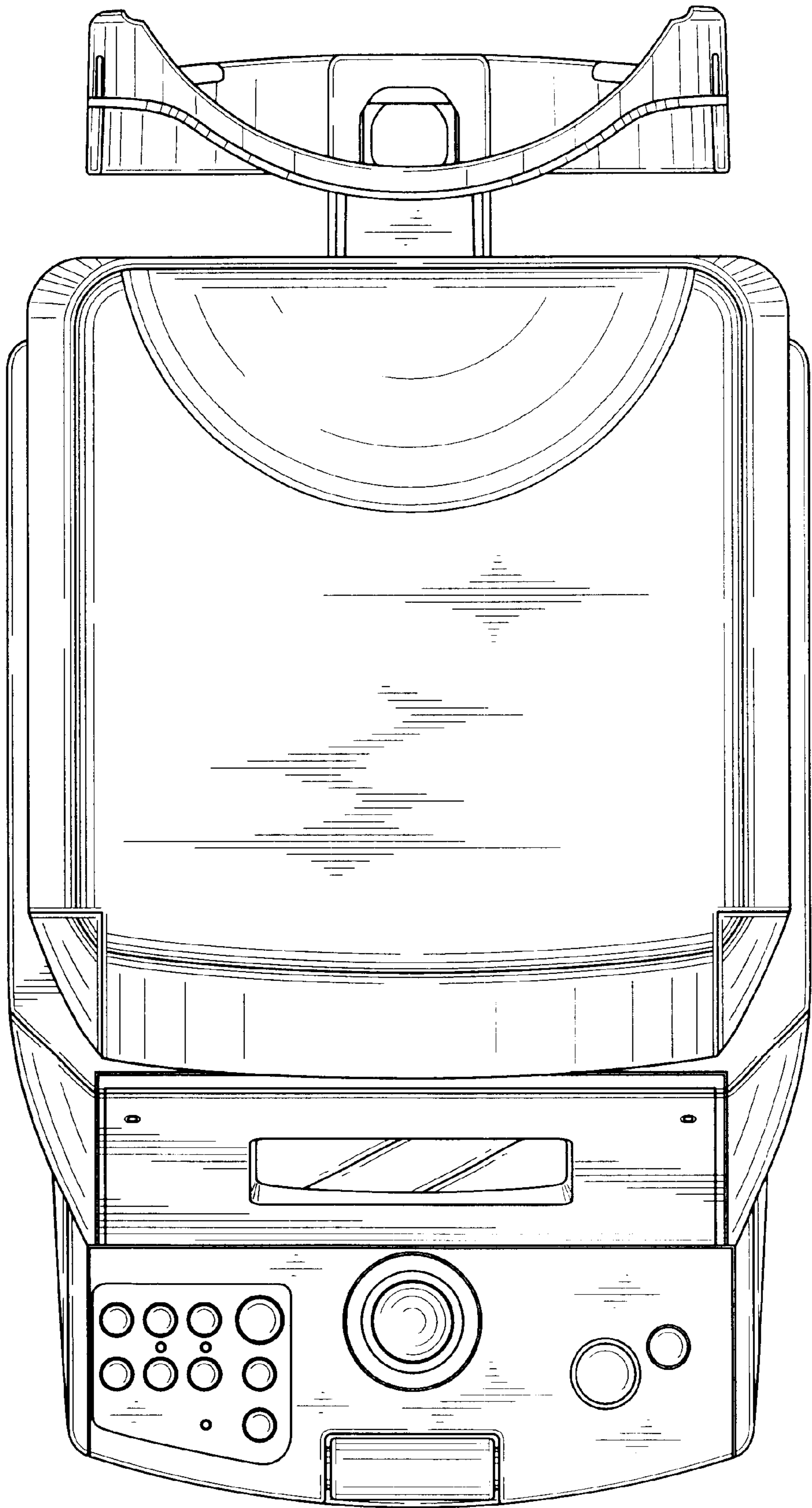


FIG. 4

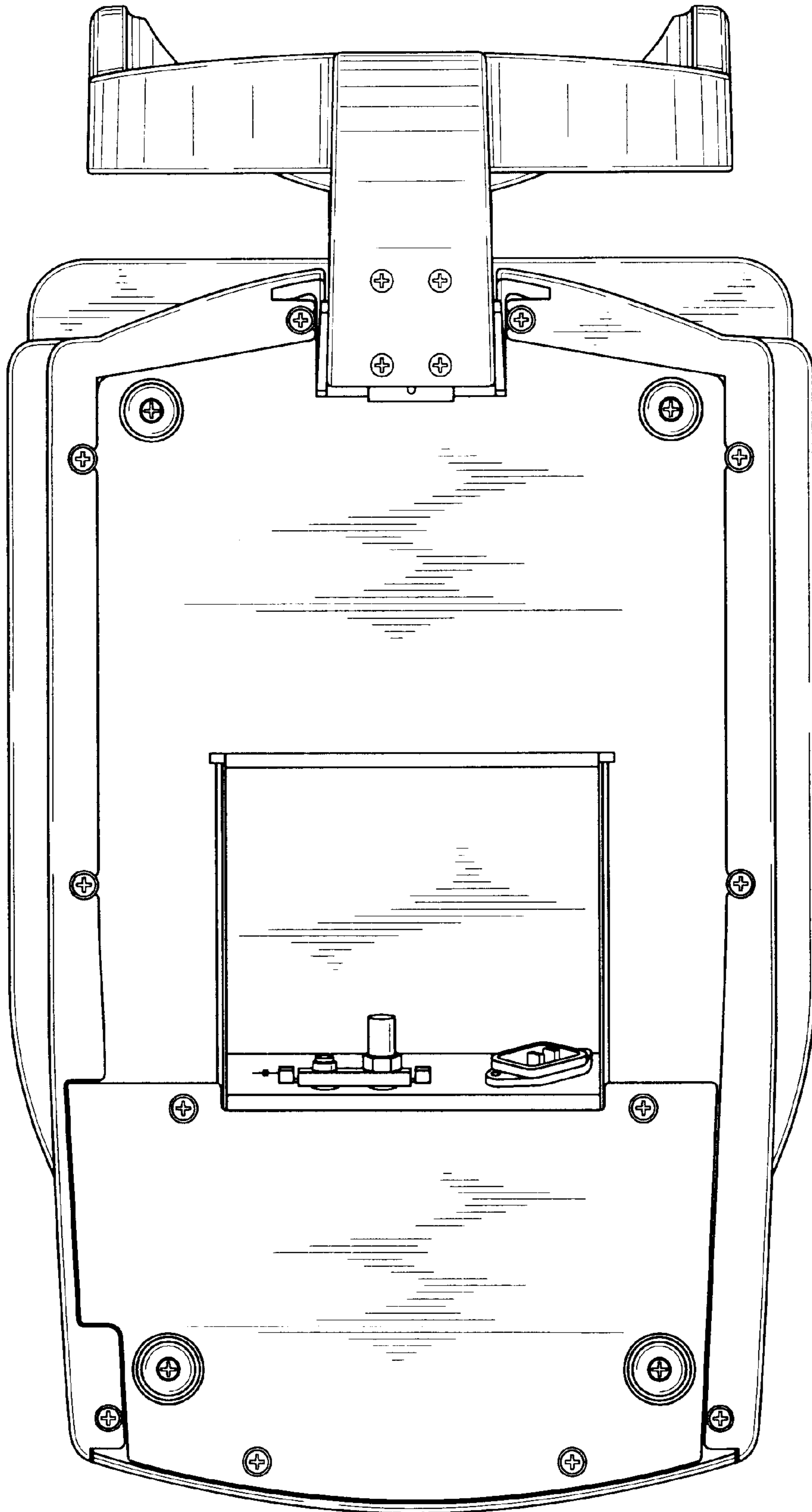


FIG. 5

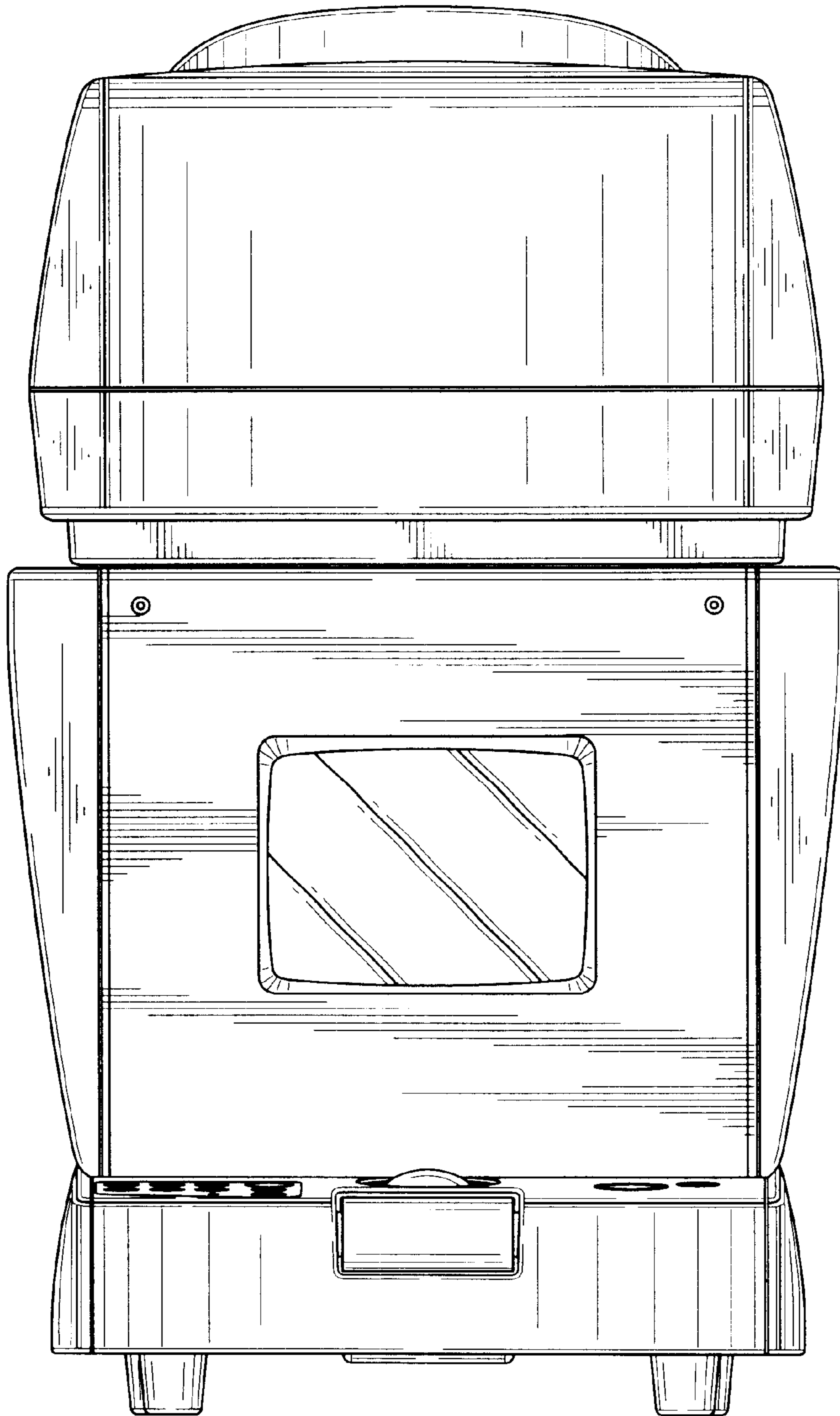


FIG. 6

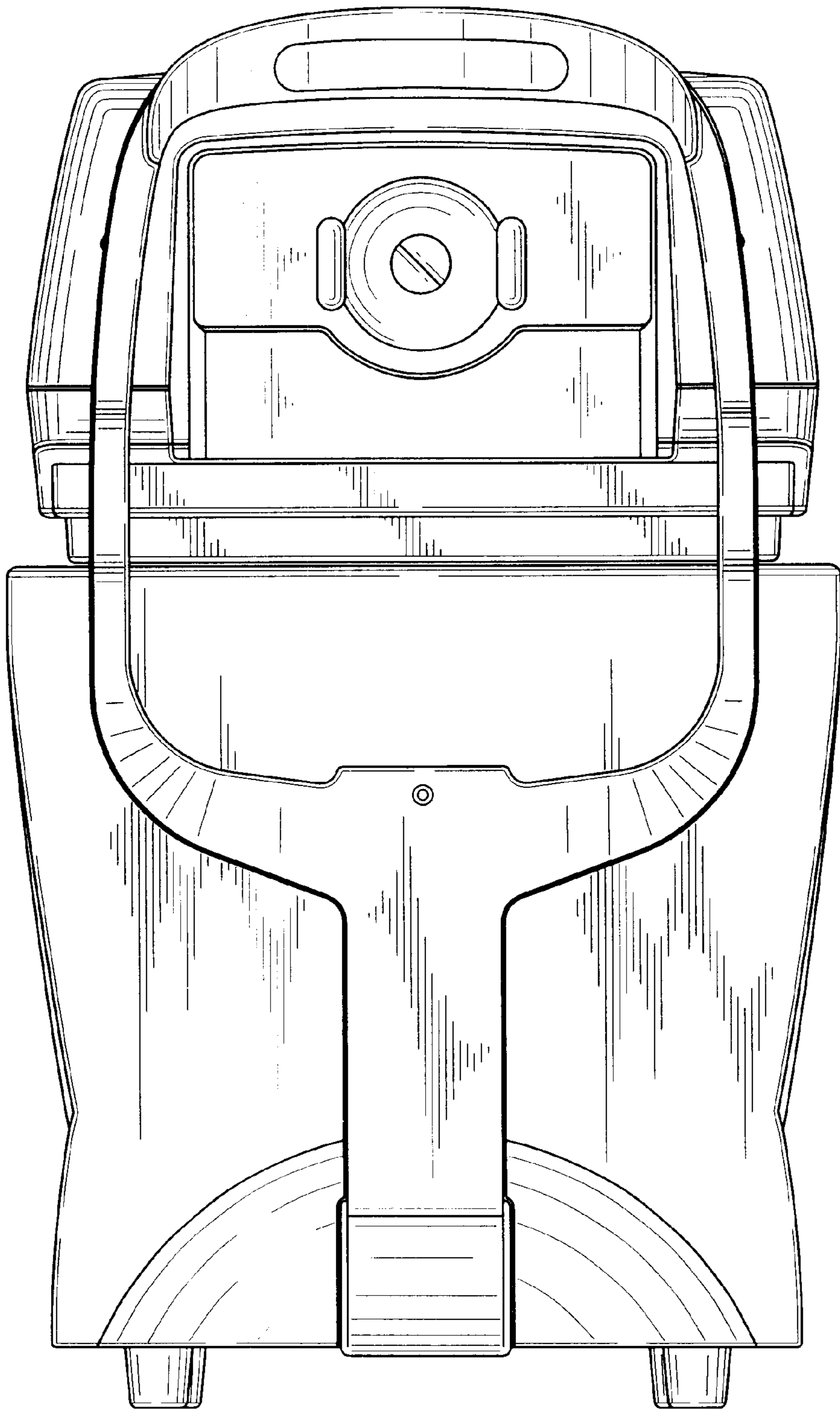


FIG. 7

