



US00D465845S

(12) **United States Design Patent**  
**Swenson**

(10) **Patent No.:** **US D465,845 S**

(45) **Date of Patent:** **\*\* \*Nov. 19, 2002**

(54) **TRANSFER DEVICE**

D323,710 S \* 2/1992 Kasai et al. .... D24/130  
D408,079 S \* 4/1999 Ellis ..... D24/108

(75) Inventor: **Kirk D. Swenson**, Wayne, NJ (US)

\* cited by examiner

(73) Assignee: **Becton Dickinson and Company**,  
Franklin Lakes, NJ (US)

*Primary Examiner*—Ian Simmons

(\*) Notice: This patent is subject to a terminal disclaimer.

(74) *Attorney, Agent, or Firm*—Nanette S. Thomas, Esq.

(\*\*) Term: **14 Years**

(57) **CLAIM**

The ornamental design of a transfer device, as shown.

(21) Appl. No.: **29/146,291**

**DESCRIPTION**

(22) Filed: **Aug. 7, 2001**

FIG. 1 is a perspective view of the transfer device;

(51) **LOC (7) Cl.** ..... **24-02**

FIG. 2 is a top plan view thereof;

(52) **U.S. Cl.** ..... **D24/130; D24/108; D24/129**

FIG. 3 is a left side elevational view thereof; and

(58) **Field of Search** ..... D24/130, 129,

D24/112, 108, 167, 169, 164; 604/411,  
263, 533, 535, 539, 7, 8, 6.15, 198; 600/578,  
576, 573

FIG. 4 is a right side elevational view thereof;

FIG. 5 is a front elevational view thereof;

FIG. 6 is a rear elevational view thereof; and,

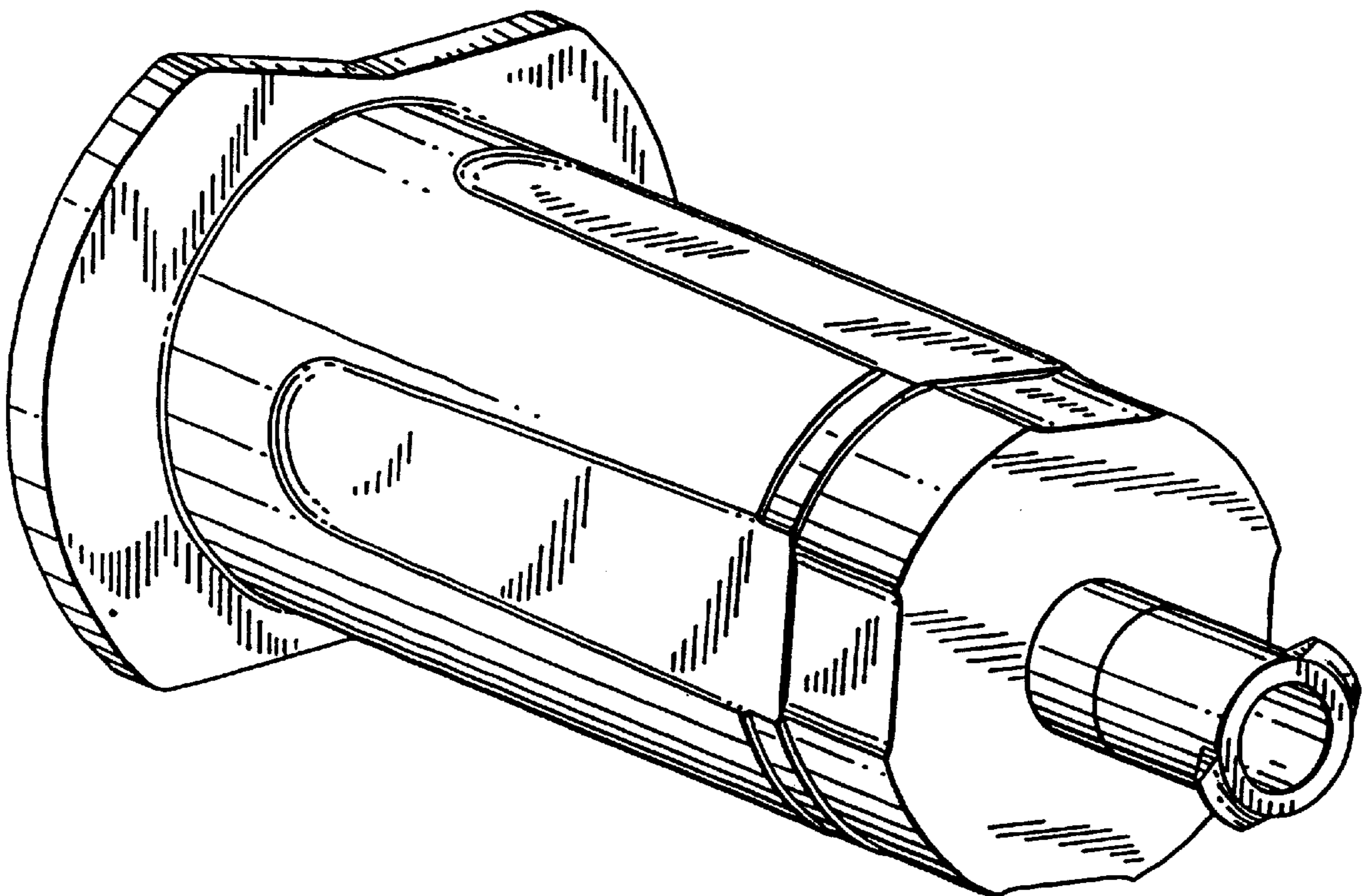
FIG. 7 is a bottom plan view thereof.

(56) **References Cited**

**U.S. PATENT DOCUMENTS**

4,991,601 A \* 2/1991 Kasai et al. .... 600/576

**1 Claim, 6 Drawing Sheets**



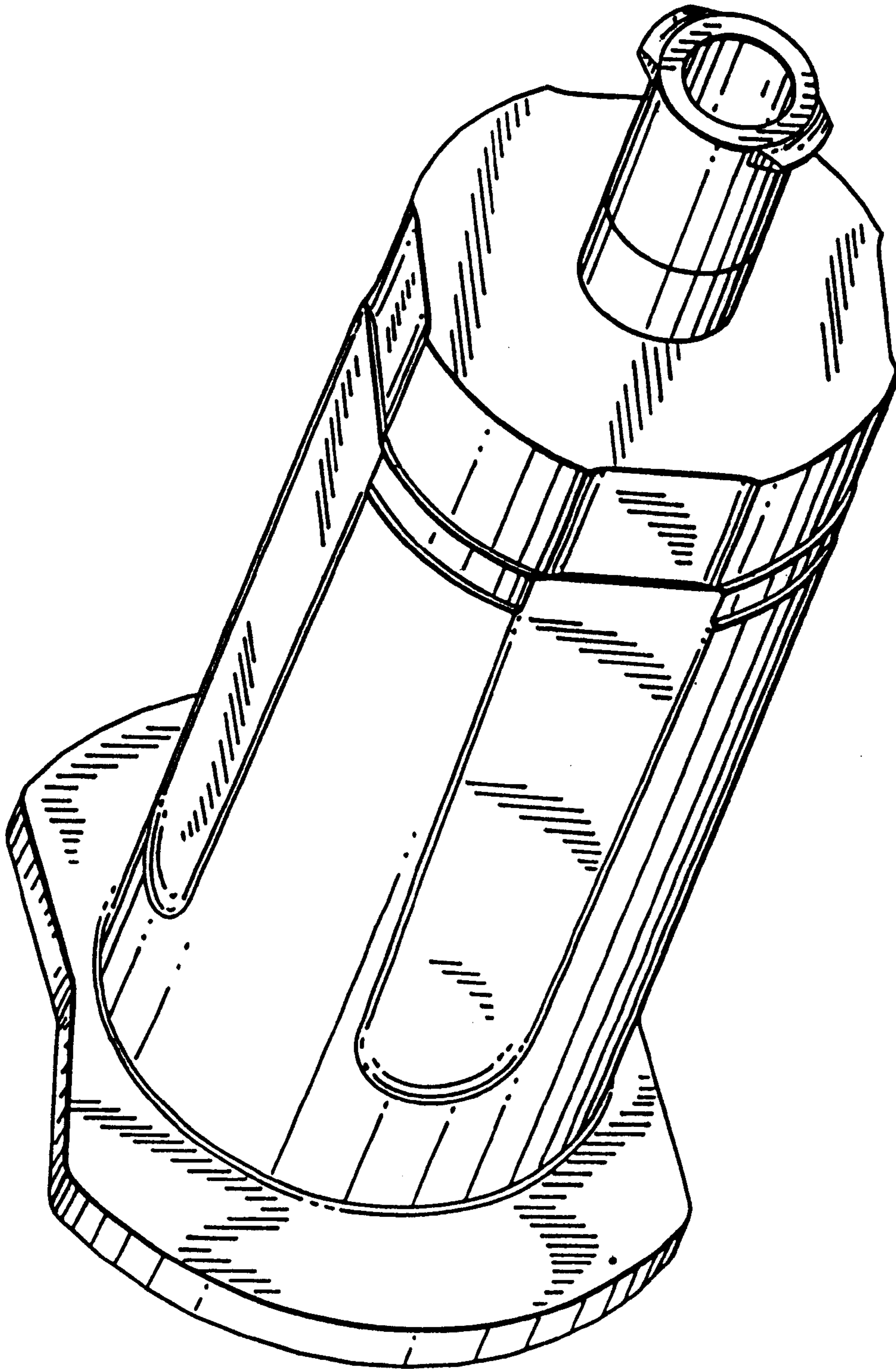


FIG.1

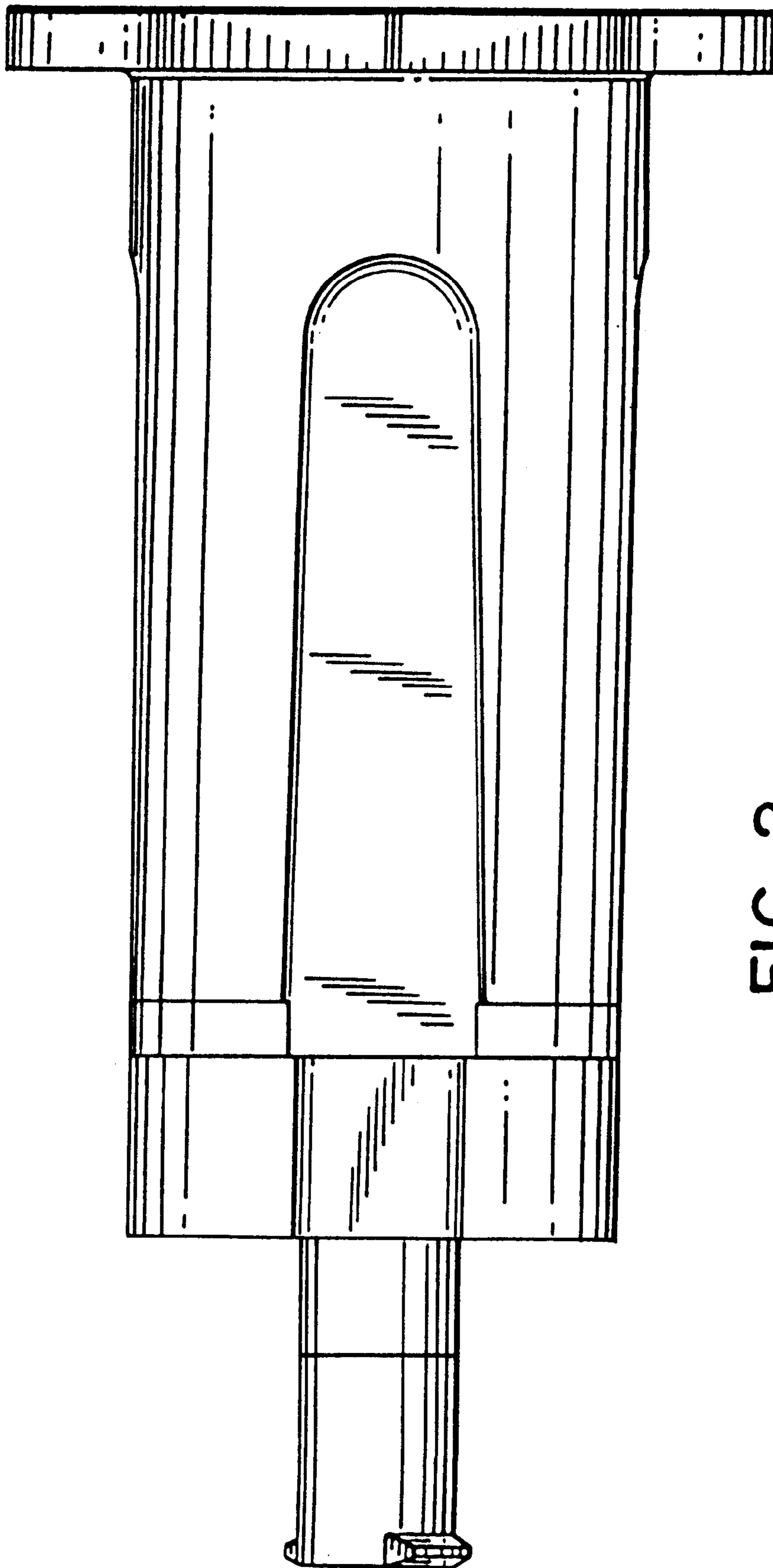


FIG. 2

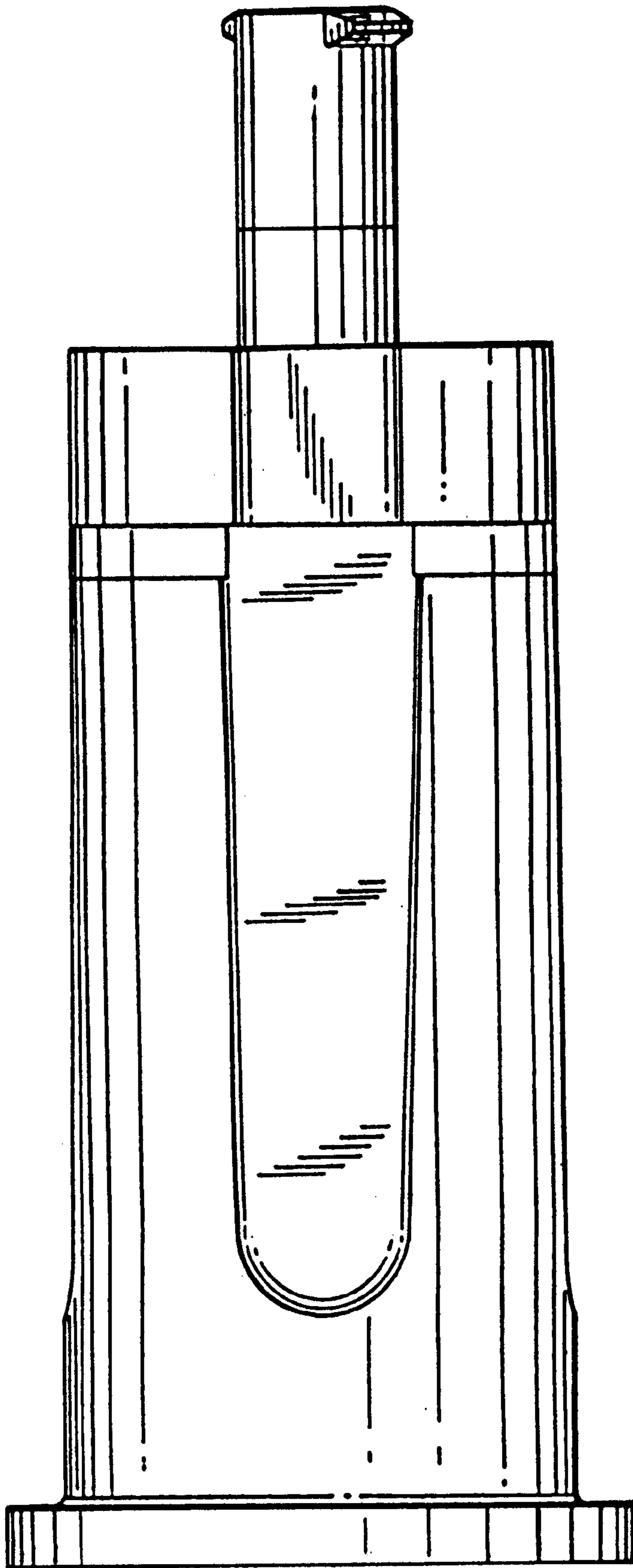


FIG. 3

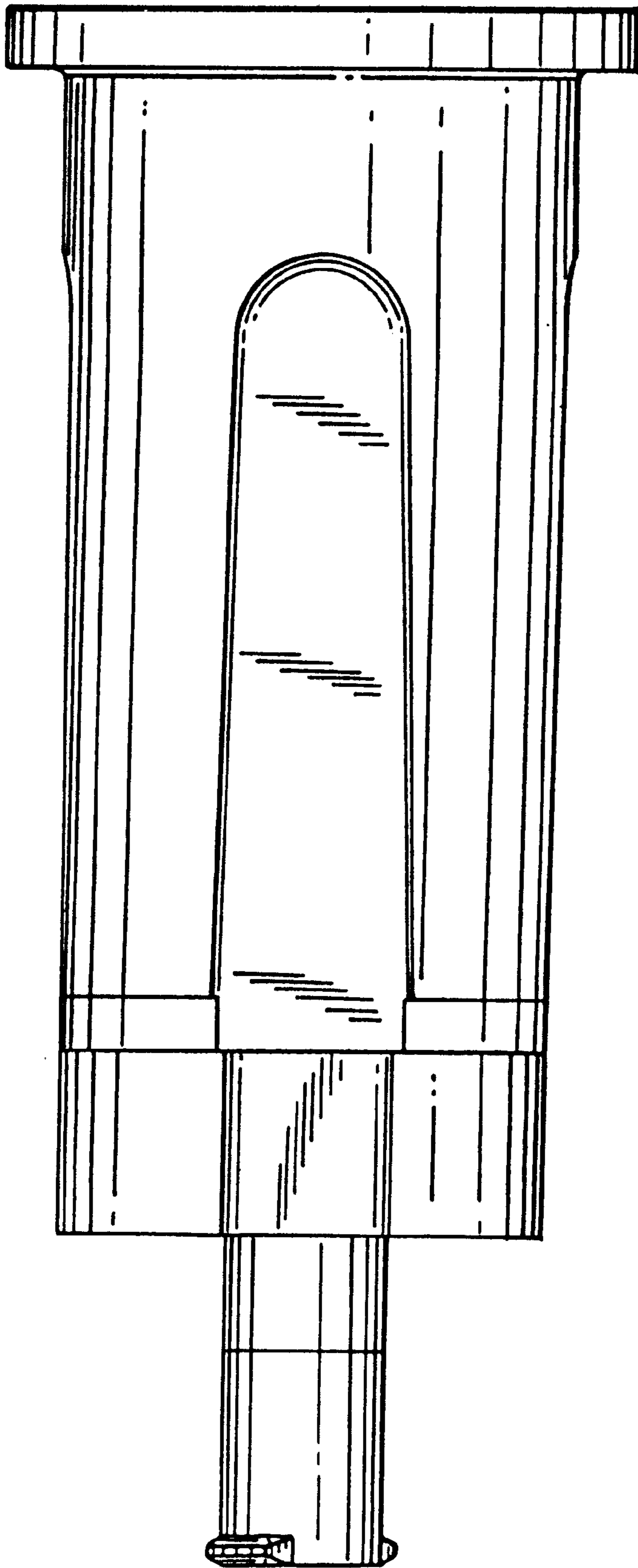


FIG. 4

FIG.5

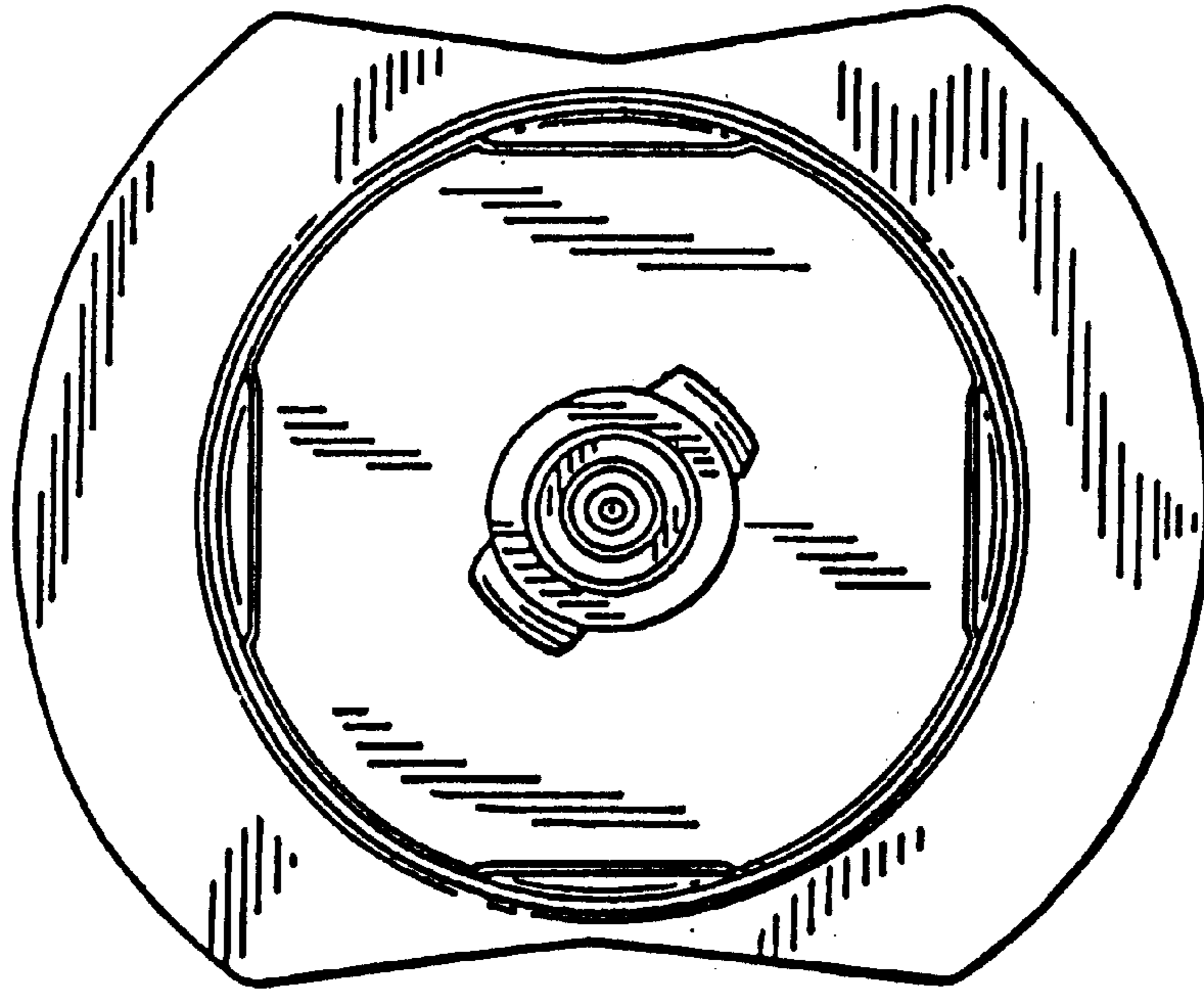
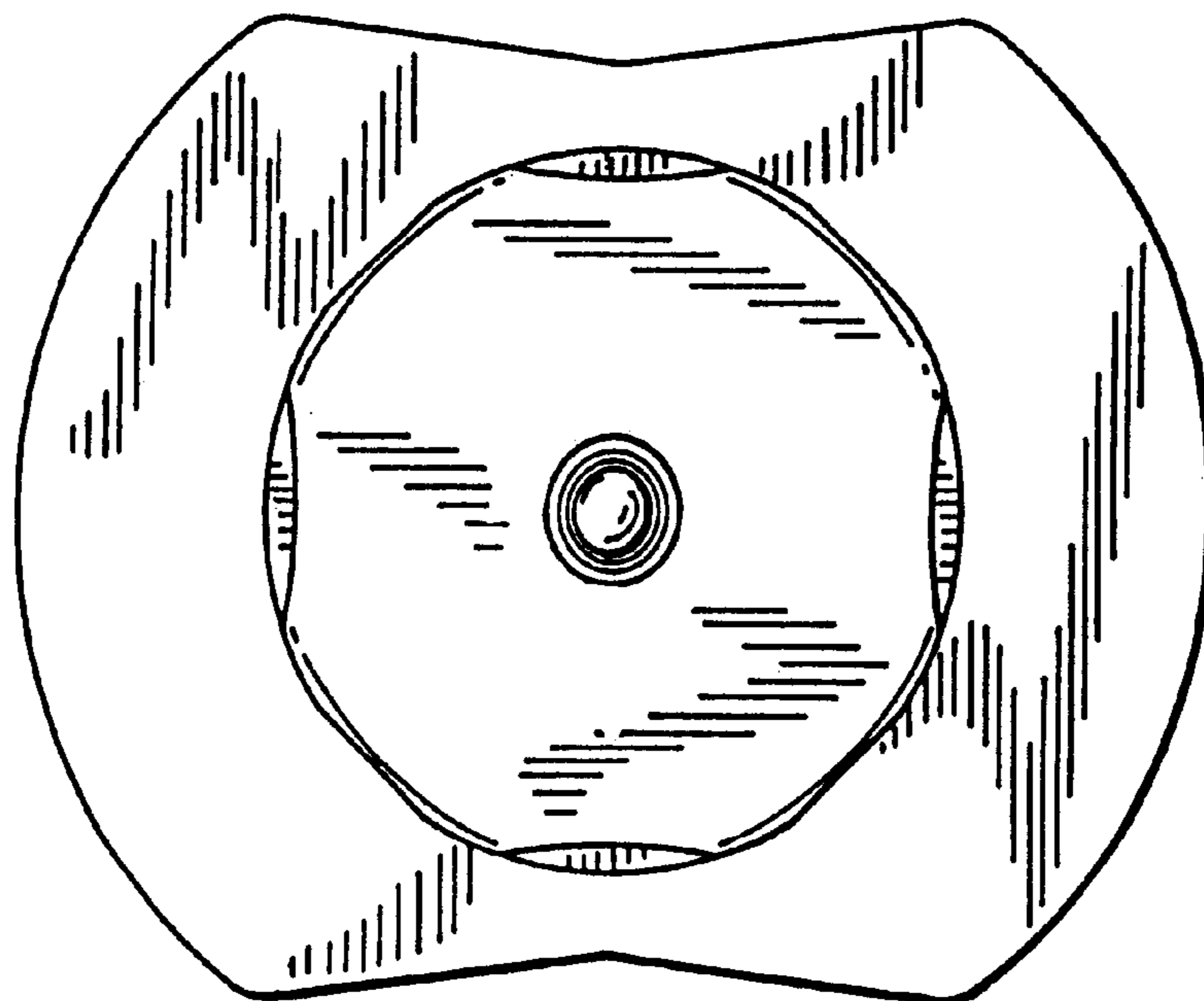


FIG.6



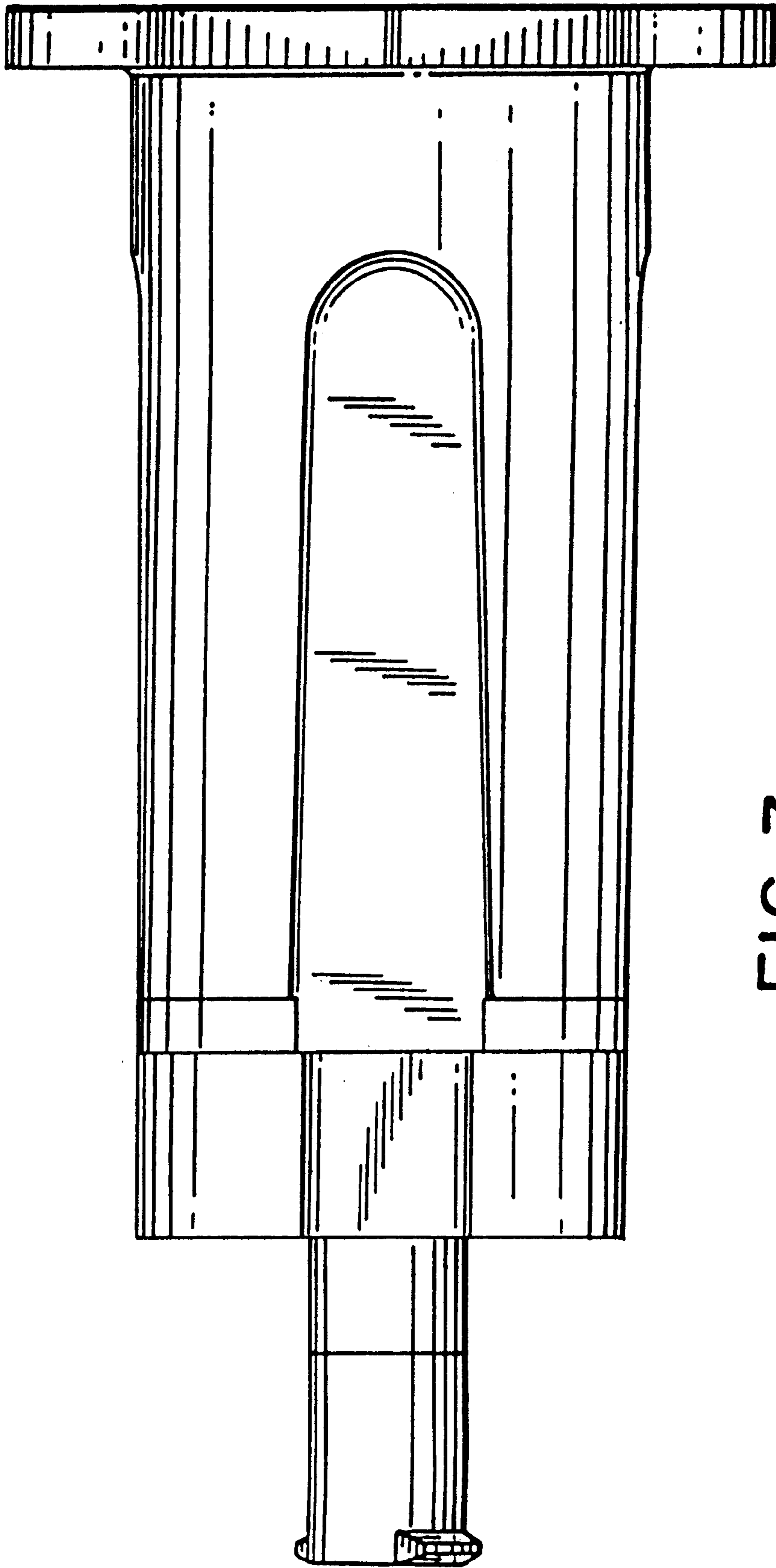


FIG. 7