



US00D465843S

(12) **United States Design Patent**
Guala

(10) **Patent No.:** **US D465,843 S**

(45) **Date of Patent:** **** Nov. 19, 2002**

(54) **CLAMP FOR FLEXIBLE MEDICAL LINES**

(75) Inventor: **Gianni Guala**, Turin (IT)

(73) Assignee: **Industrie Borla S.p.A.**, Turin (IT)

(**) Term: **14 Years**

(21) Appl. No.: **29/145,944**

(22) Filed: **Aug. 2, 2001**

(30) **Foreign Application Priority Data**

Feb. 2, 2001 (IT) TO0100026

(51) **LOC (7) Cl.** **24-02**

(52) **U.S. Cl.** **D24/129**

(58) **Field of Search** D24/129, 127,
D24/128; D8/394, 395, 396; 128/DIG. 26;
604/174; 24/16 R, 18, 270, 284, 285, 286,
129 R, 13 R, 115 A, 115; 251/10

(56) **References Cited**

U.S. PATENT DOCUMENTS

3,896,527	A *	7/1975	Miller et al.	24/499
4,596,571	A *	6/1986	Bellotti et al.	D24/129
4,643,389	A *	2/1987	Elson et al.	24/543
D427,307	S *	6/2000	Guala et al.	D24/129
D431,650	S *	10/2000	Guala et al.	D24/129
6,361,523	B1 *	3/2002	Bierman	604/174

* cited by examiner

Primary Examiner—Ian Simmons

(74) *Attorney, Agent, or Firm*—Sughrue Mion, PLLC

(57) **CLAIM**

The ornamental design for a clamp for flexible medical lines, as shown.

DESCRIPTION

FIG. 1 is a perspective view of the top, one side and one end of a clamp for flexible medical lines in the open condition showing my new design;

FIG. 2 is a perspective view of the bottom, said one side and said one end thereof;

FIG. 3 is a side elevational view of said one side thereof;

FIG. 4 is a side elevational view of said opposite side thereof;

FIG. 5 is an end elevational view of the opposite end thereof;

FIG. 6 is an end elevational view of said one end thereof;

FIG. 7 is a top plan view thereof;

FIG. 8 is a bottom plan view thereof;

FIG. 9 is a perspective view of the top, one side and one end of the clamp in the closed condition;

FIG. 10 is a perspective view of the bottom, the opposite side and said one end thereof;

FIG. 11 is a side elevational view of the opposite thereof;

FIG. 12 is a side elevational view of said one side thereof;

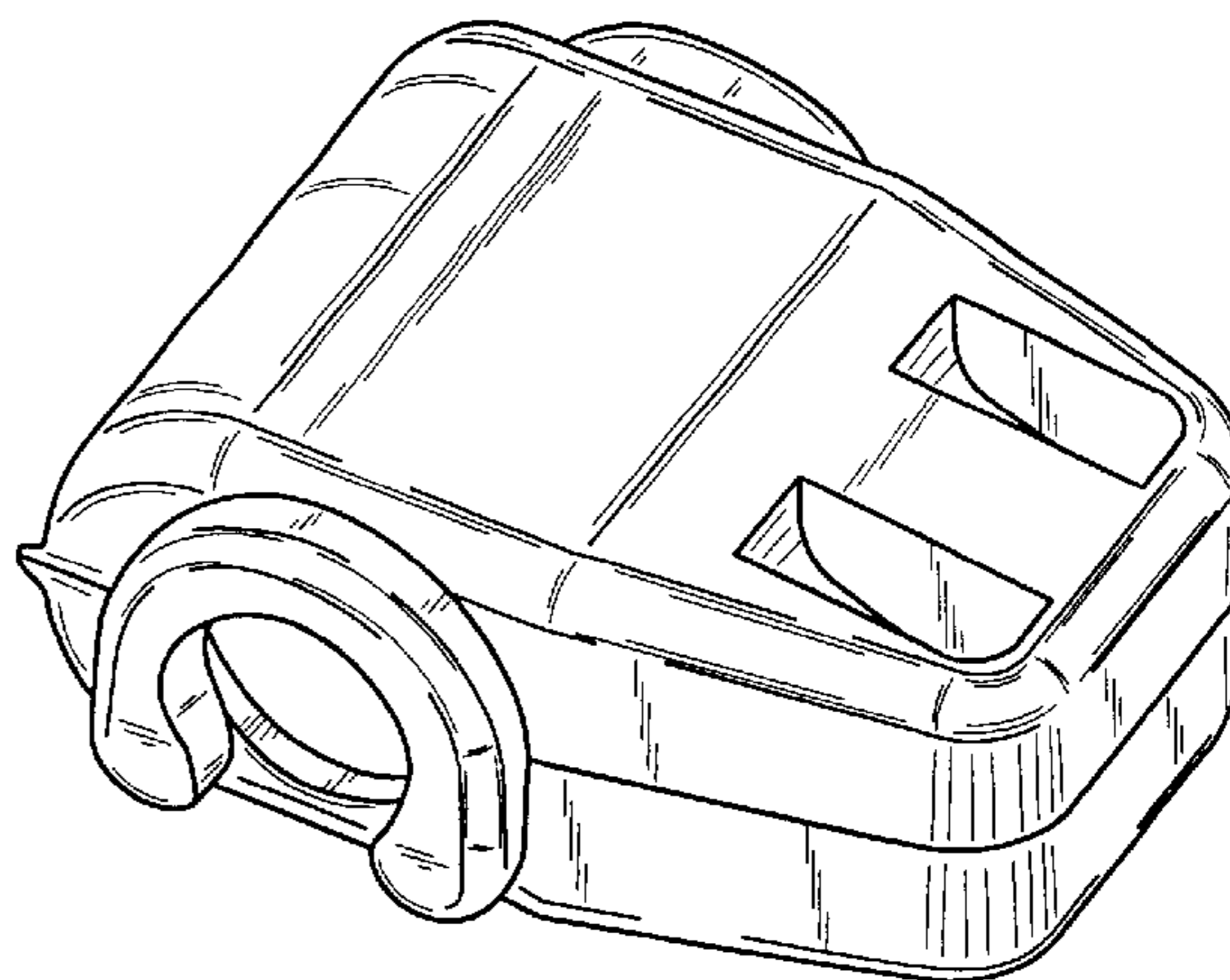
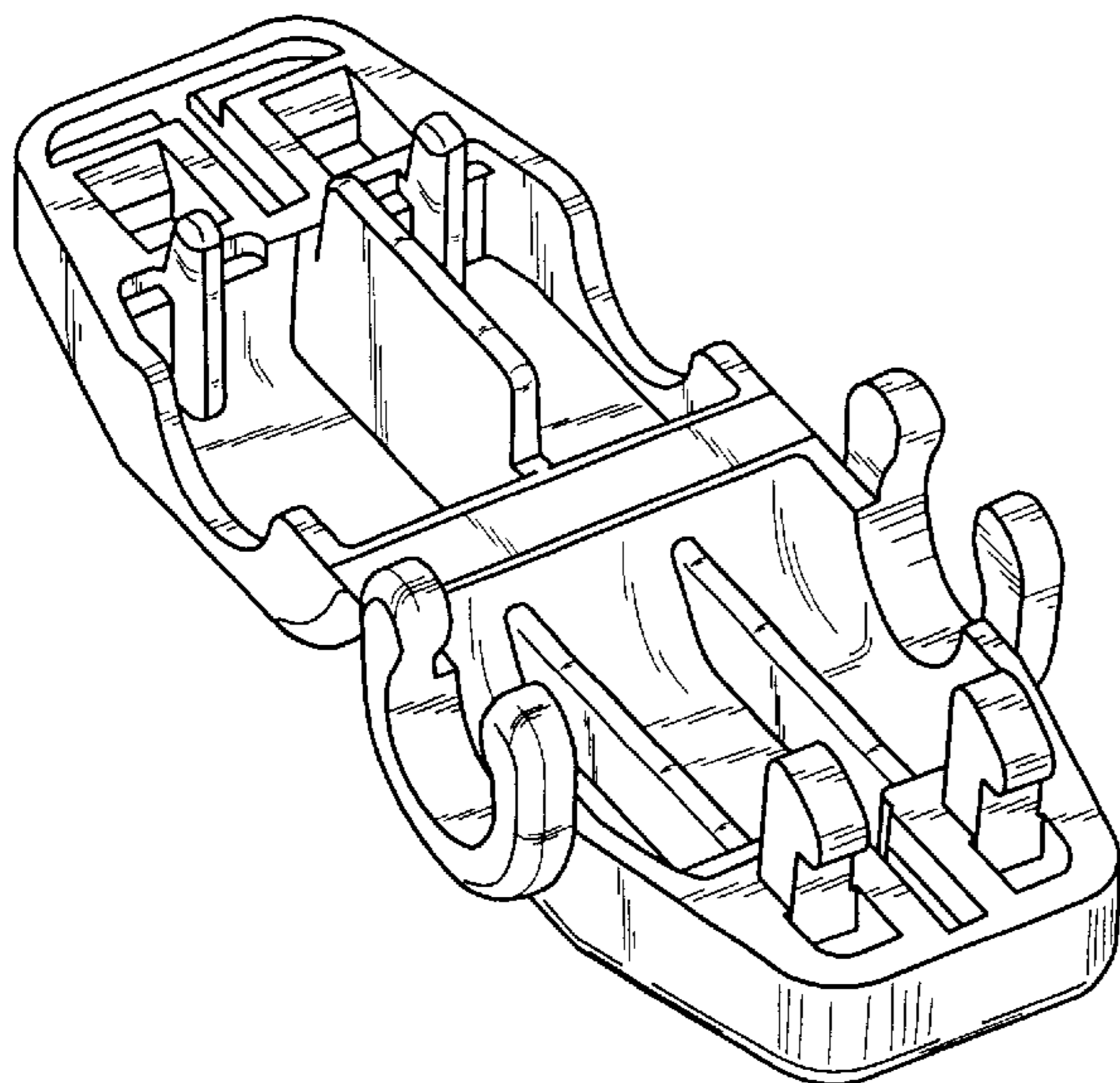
FIG. 13 is an end view of said one end thereof;

FIG. 14 is an end elevational view of the opposite end thereof;

FIG. 15 is a top plan view thereof; and,

FIG. 16 is a bottom plan view thereof.

1 Claim, 6 Drawing Sheets



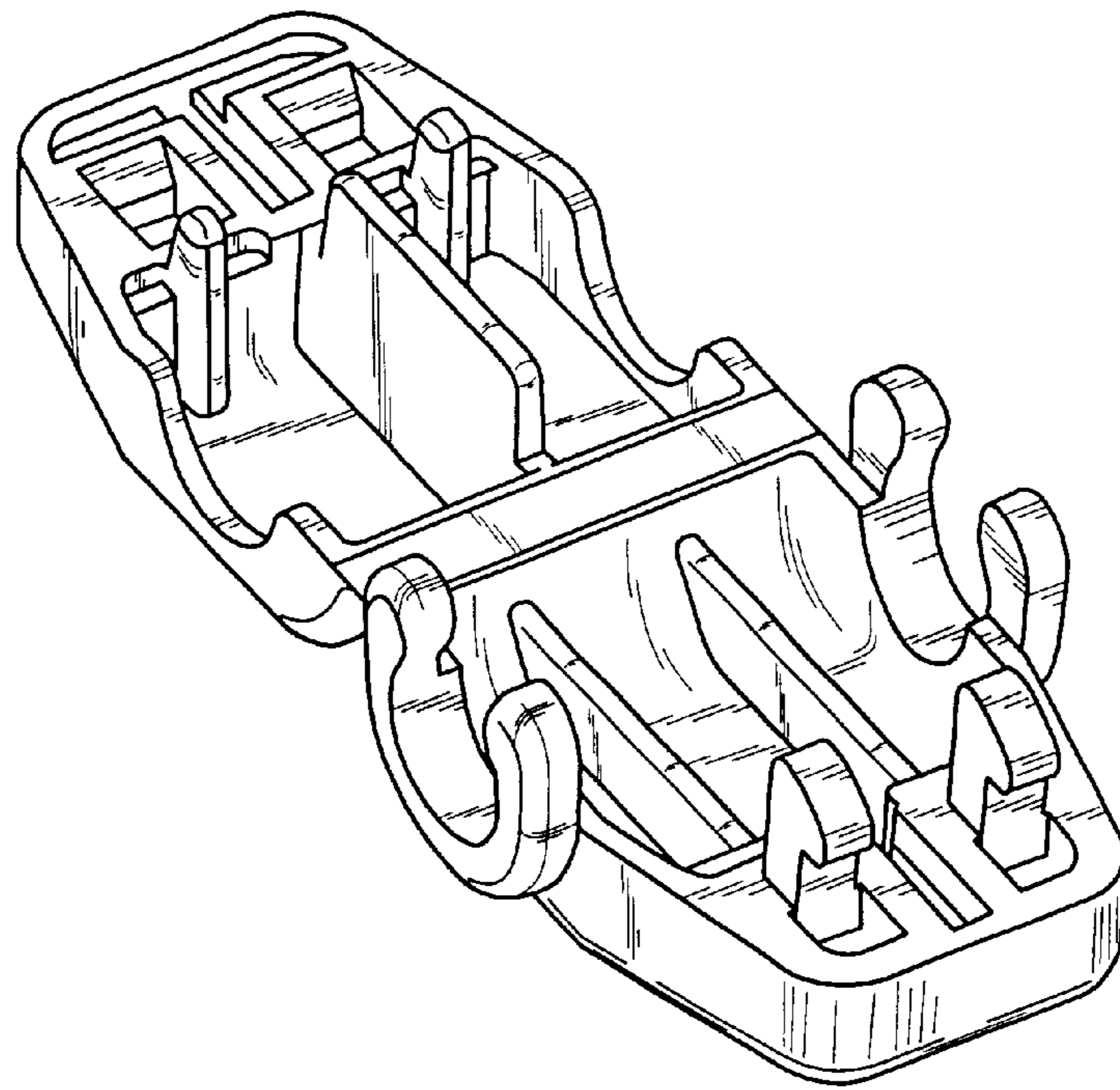


Fig. 1

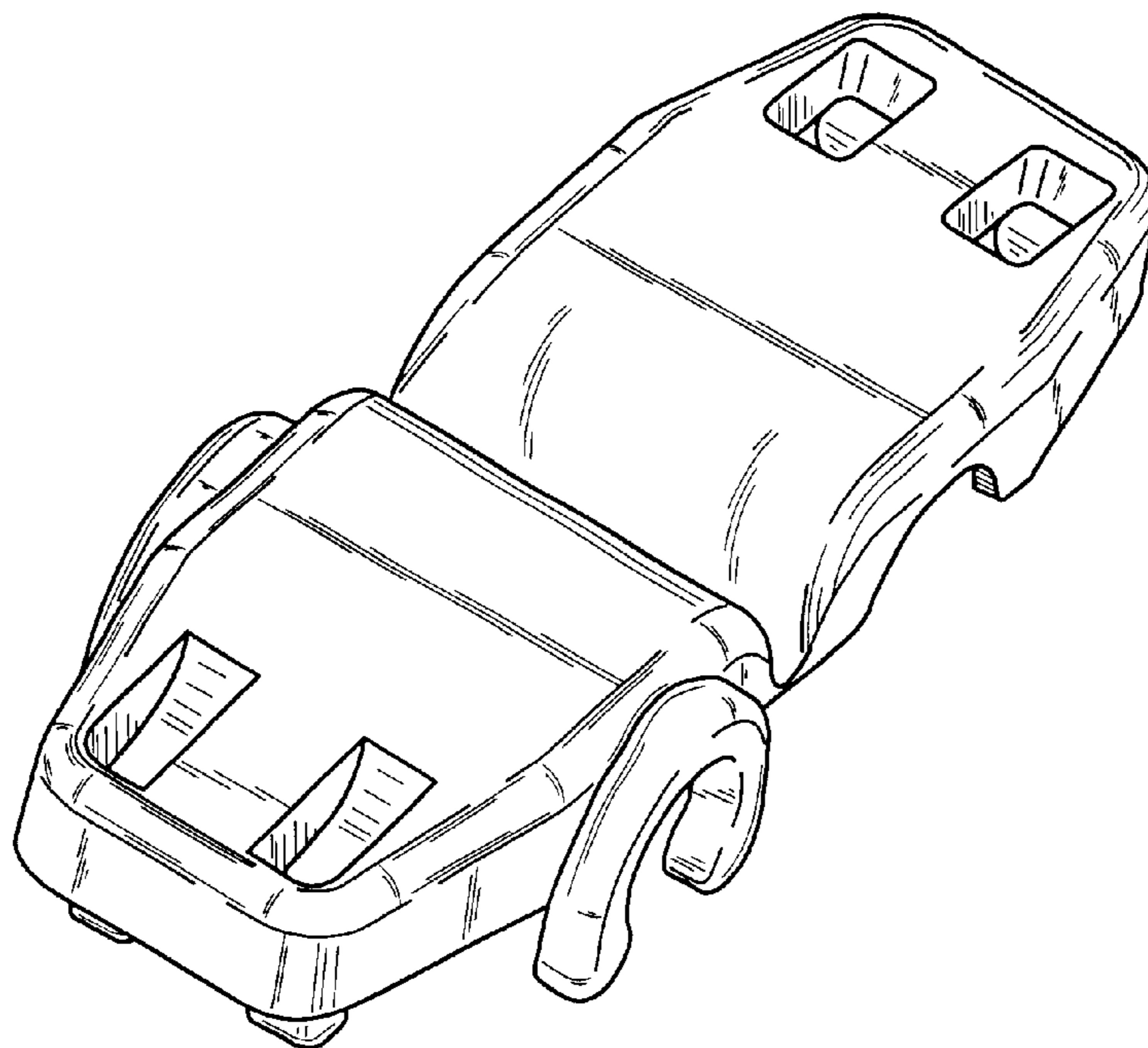


Fig. 2

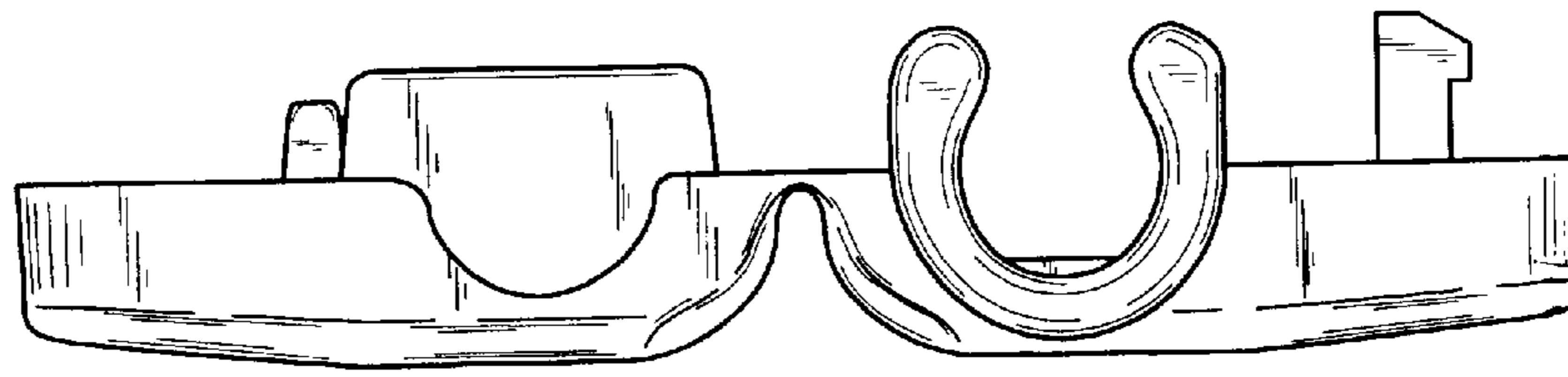


Fig. 3

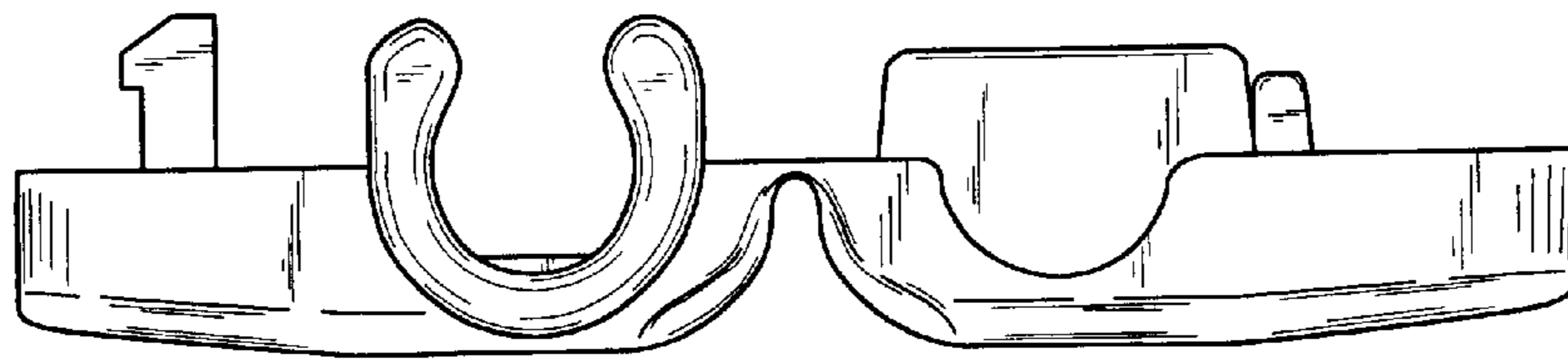


Fig. 4

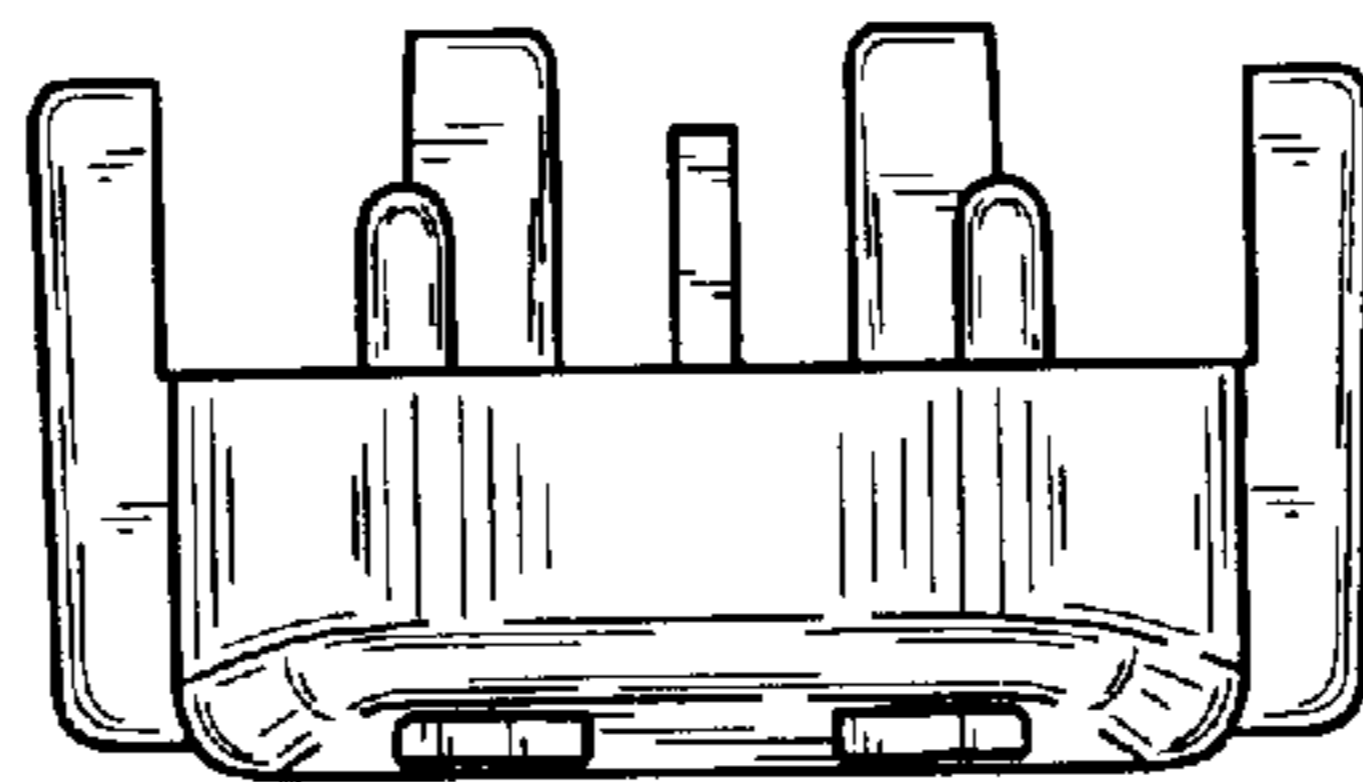


Fig. 5

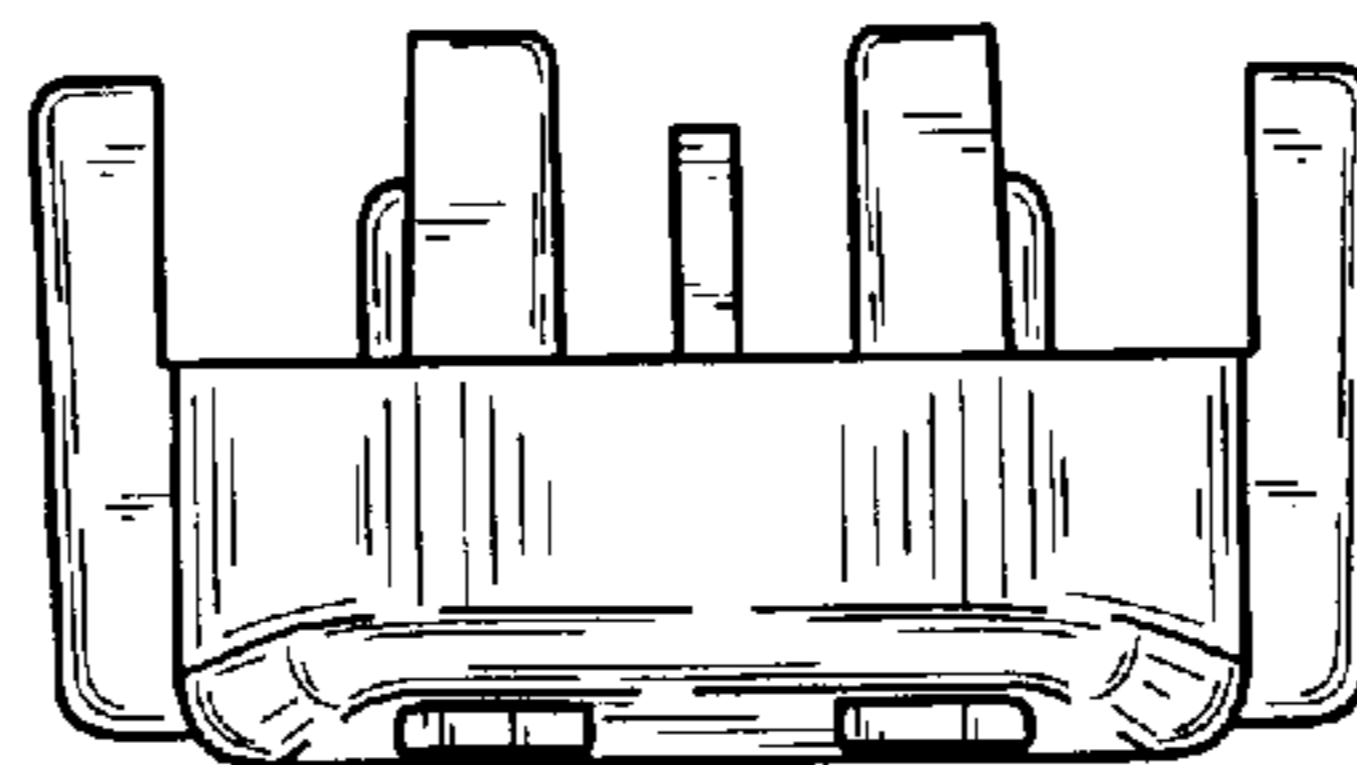


Fig. 6

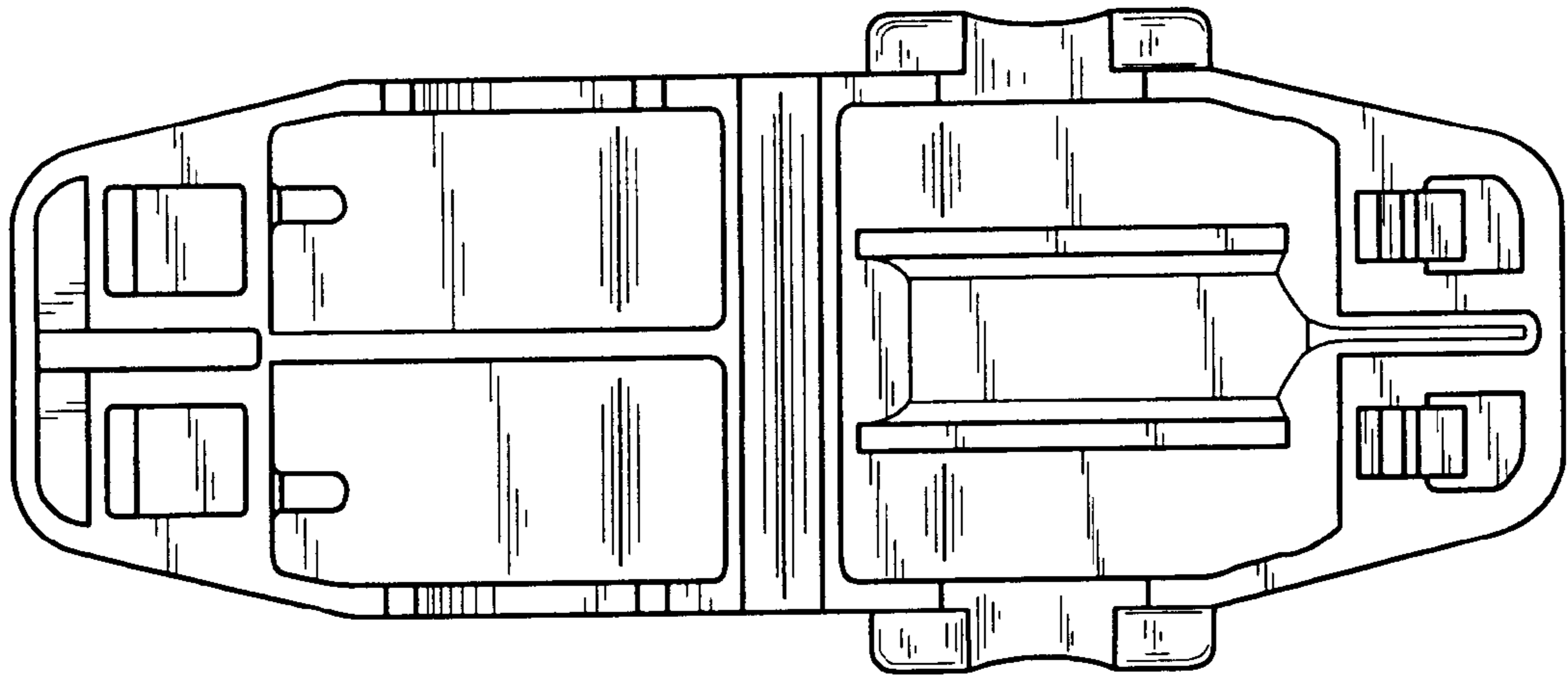


Fig. 7

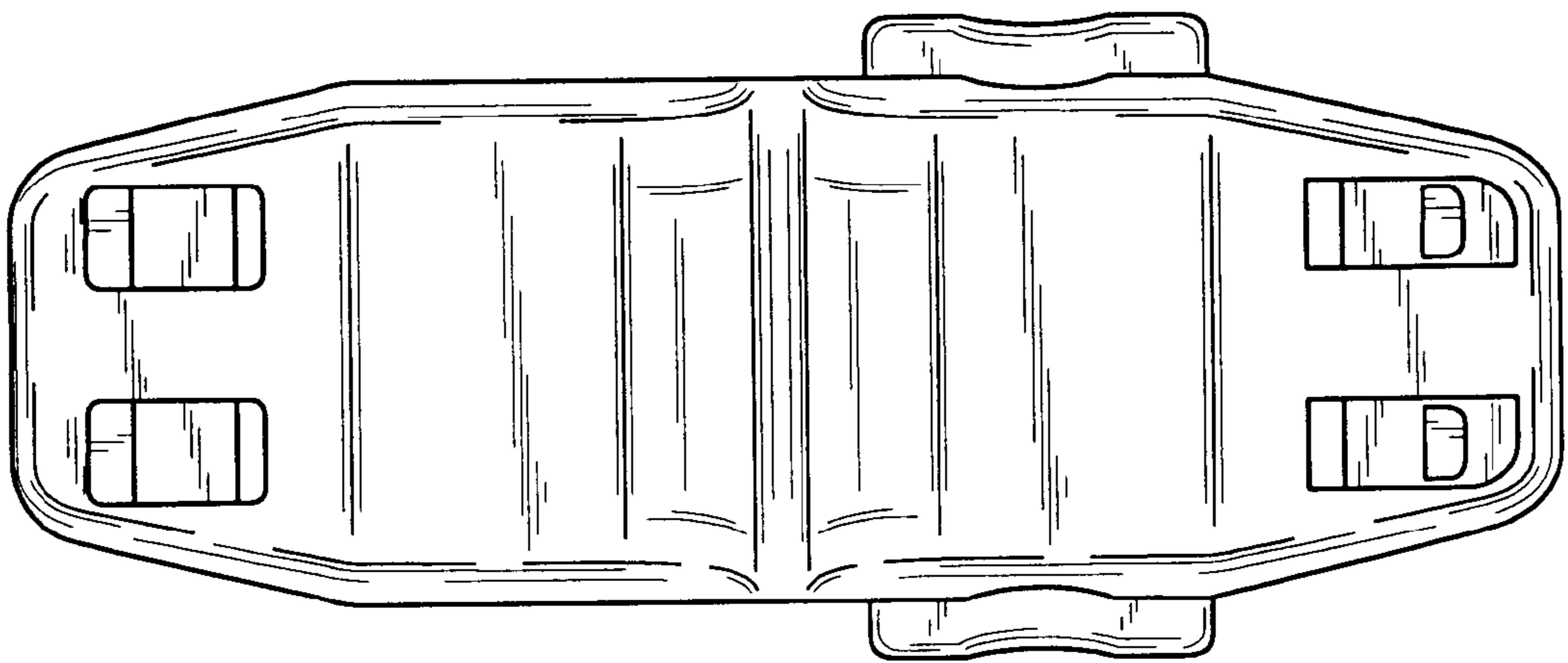


Fig. 8

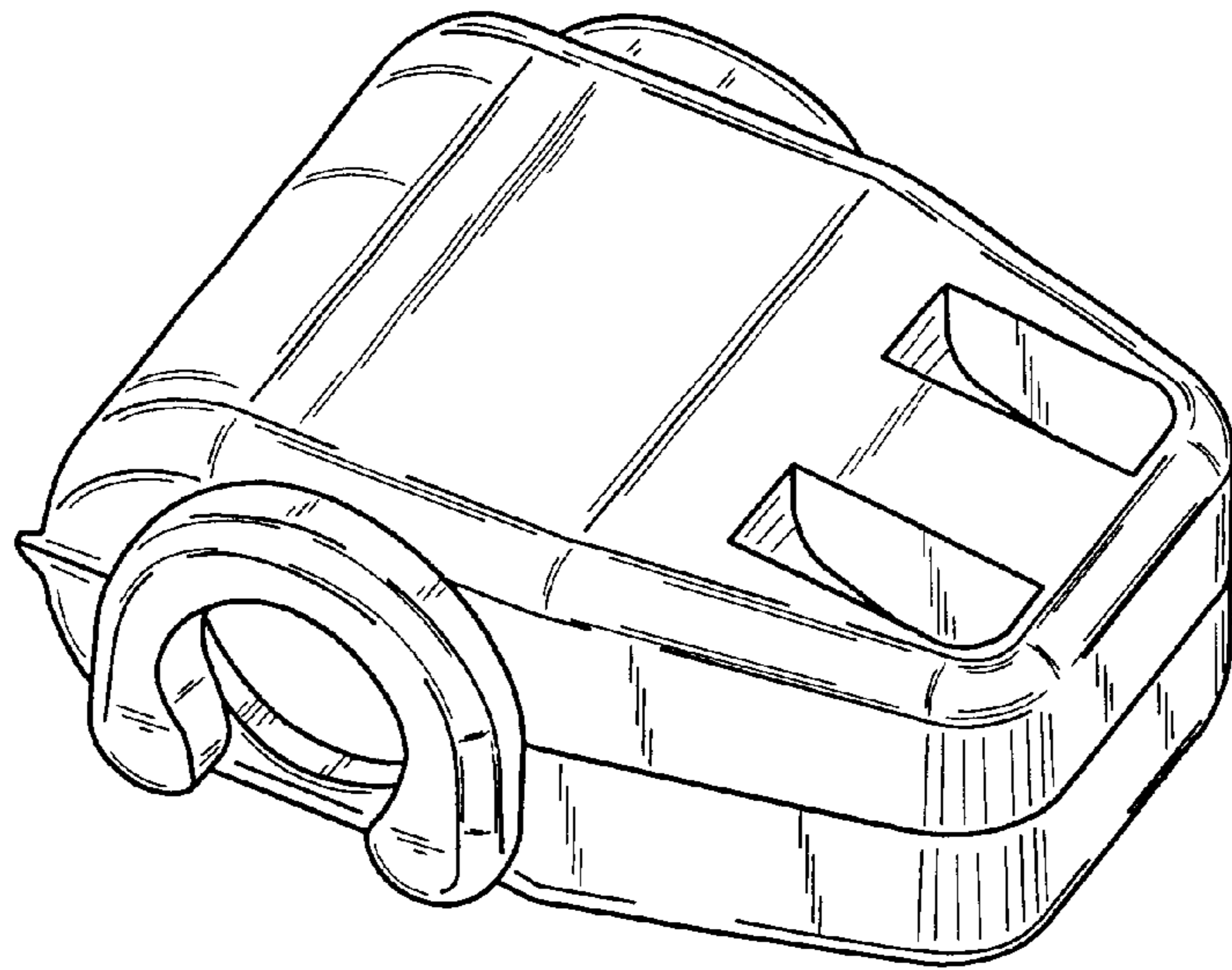


Fig. 9

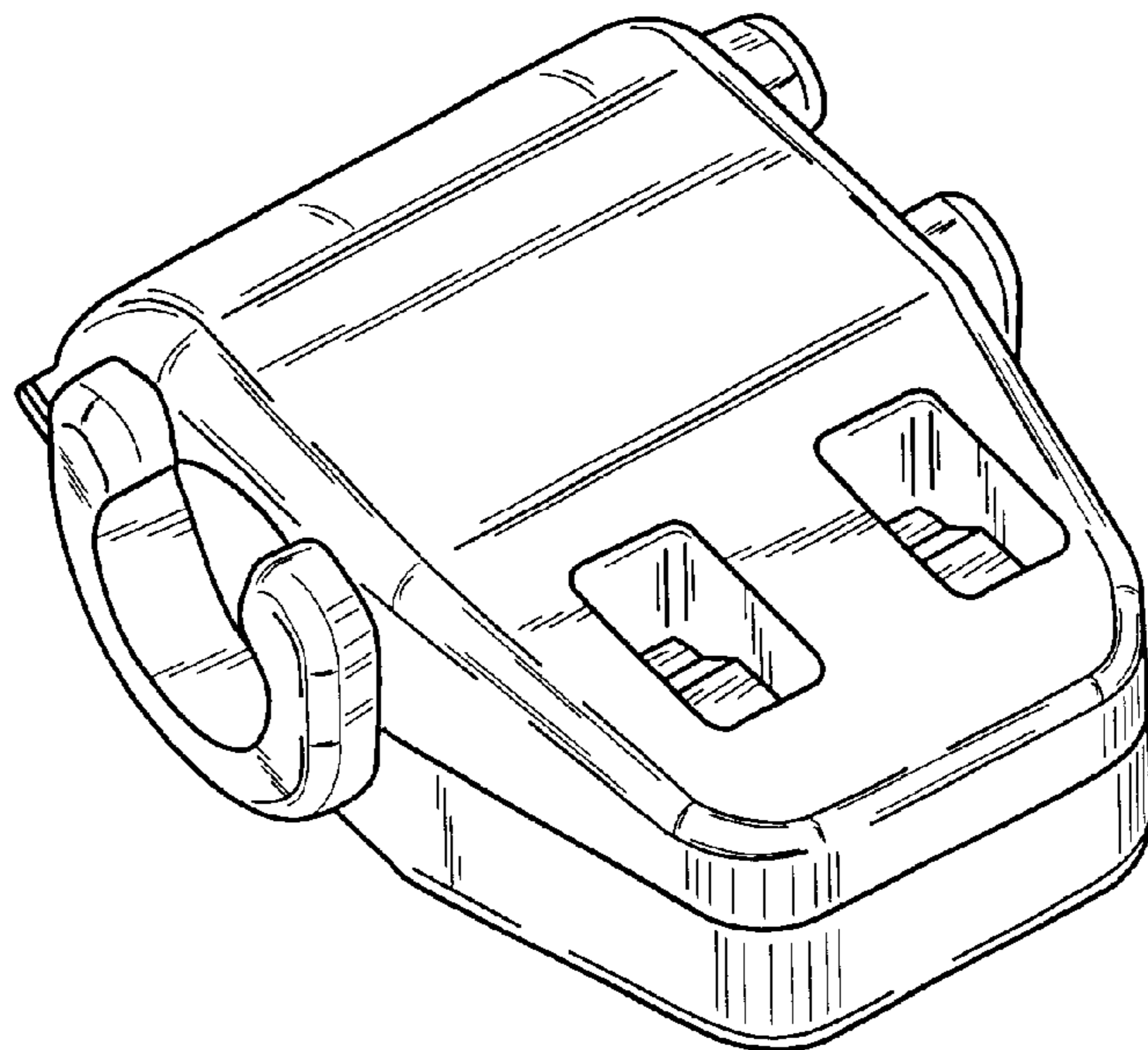


Fig. 10

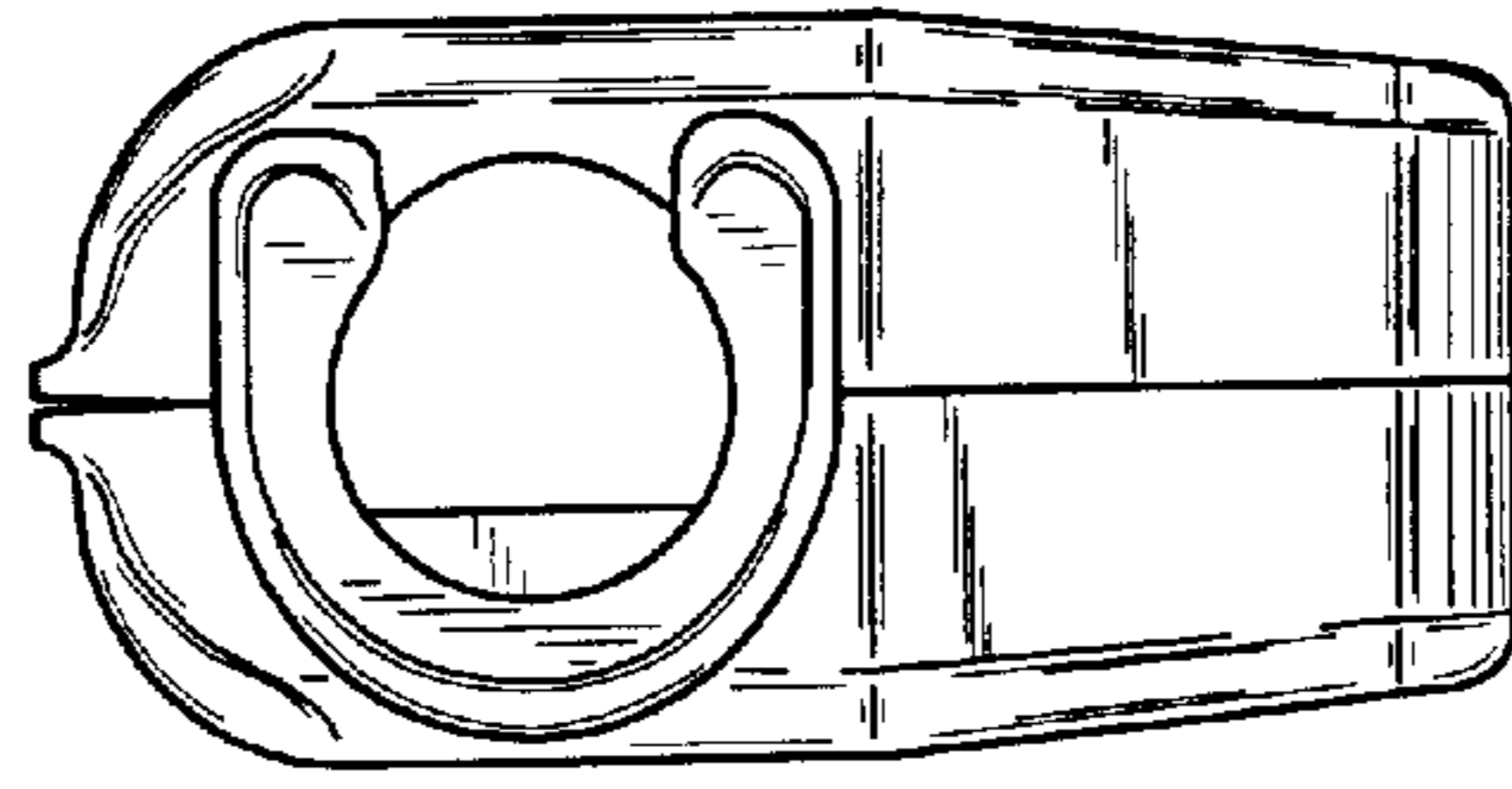


Fig. 11

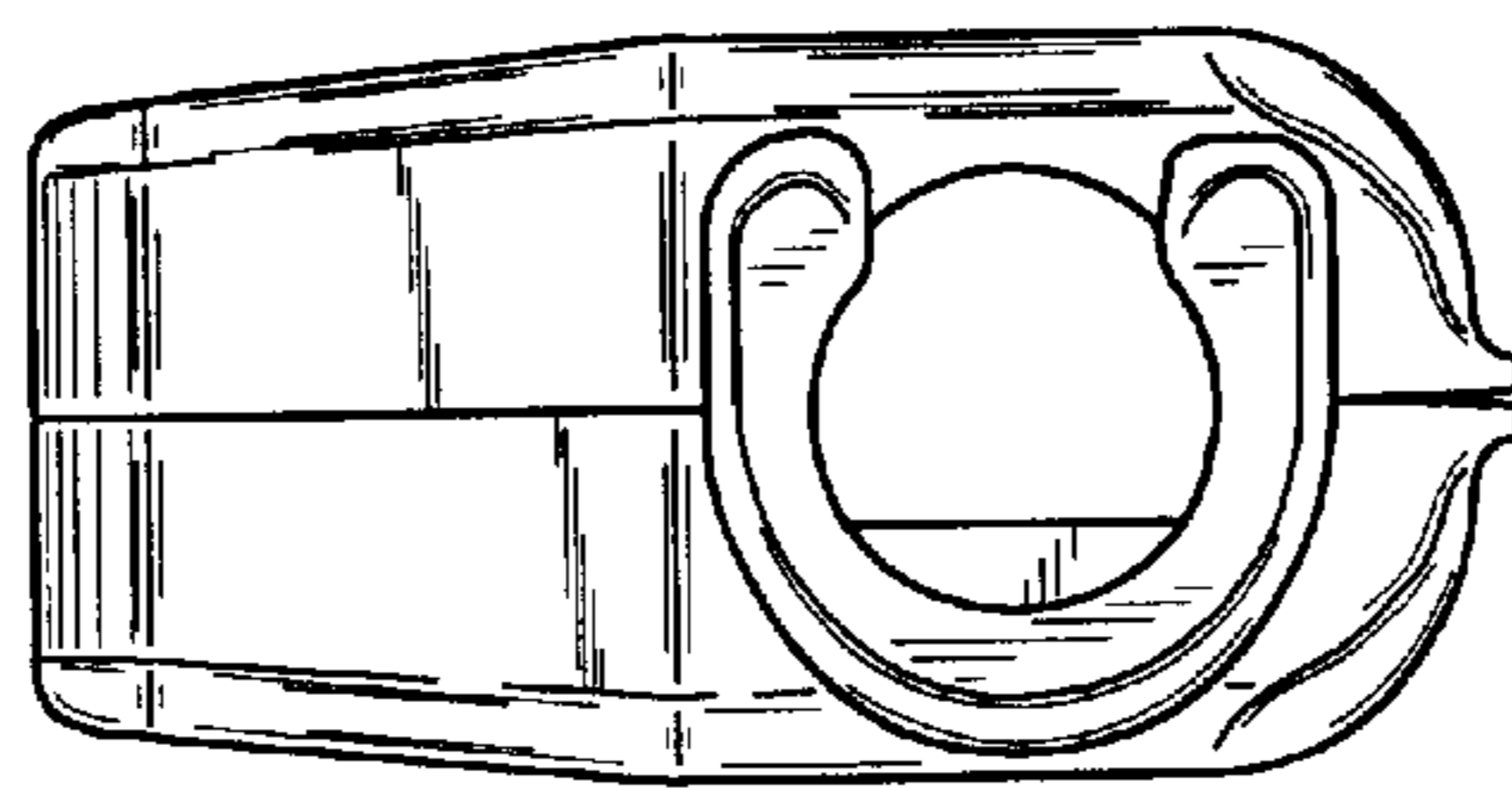


Fig. 12

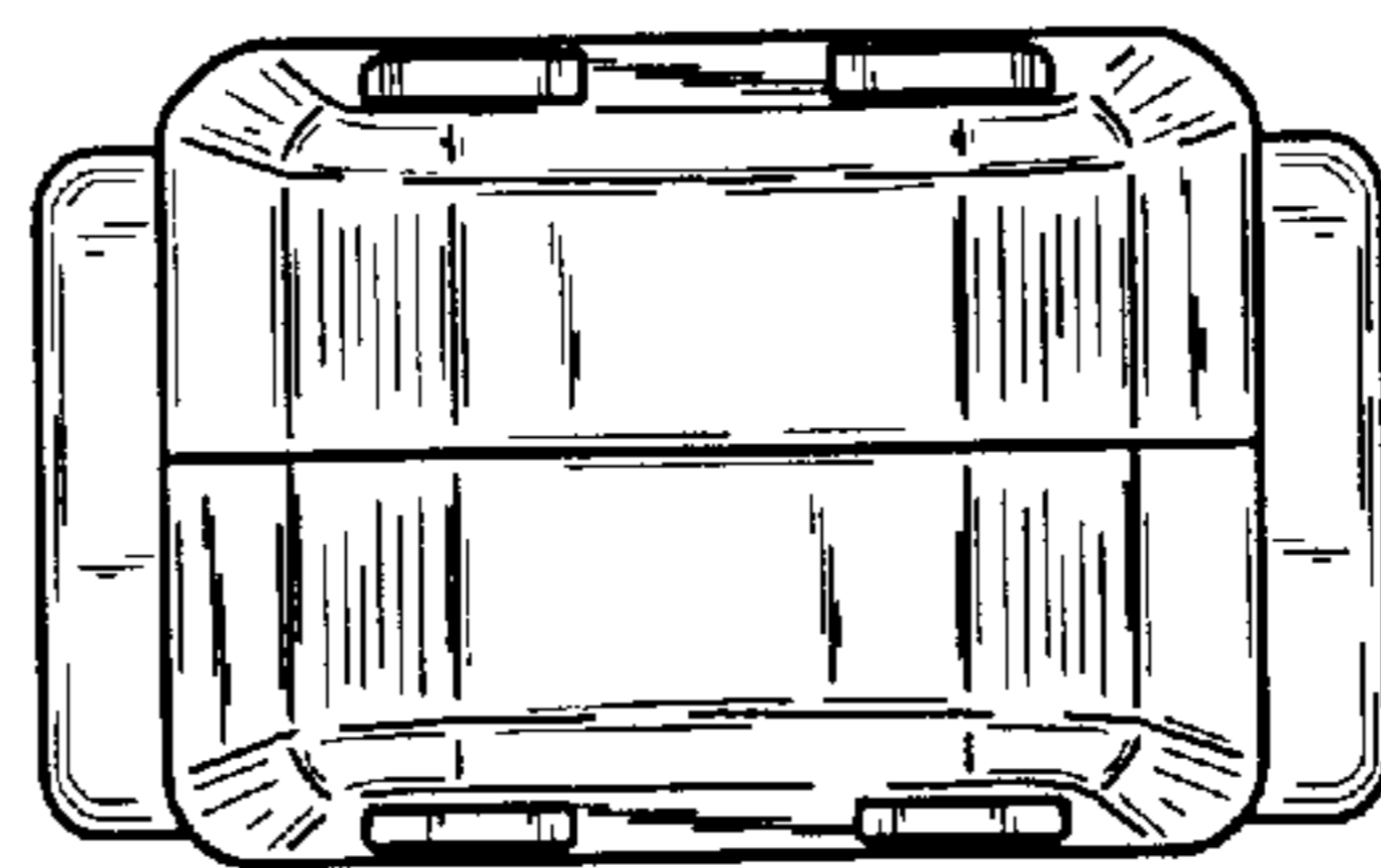


Fig. 13



Fig. 14

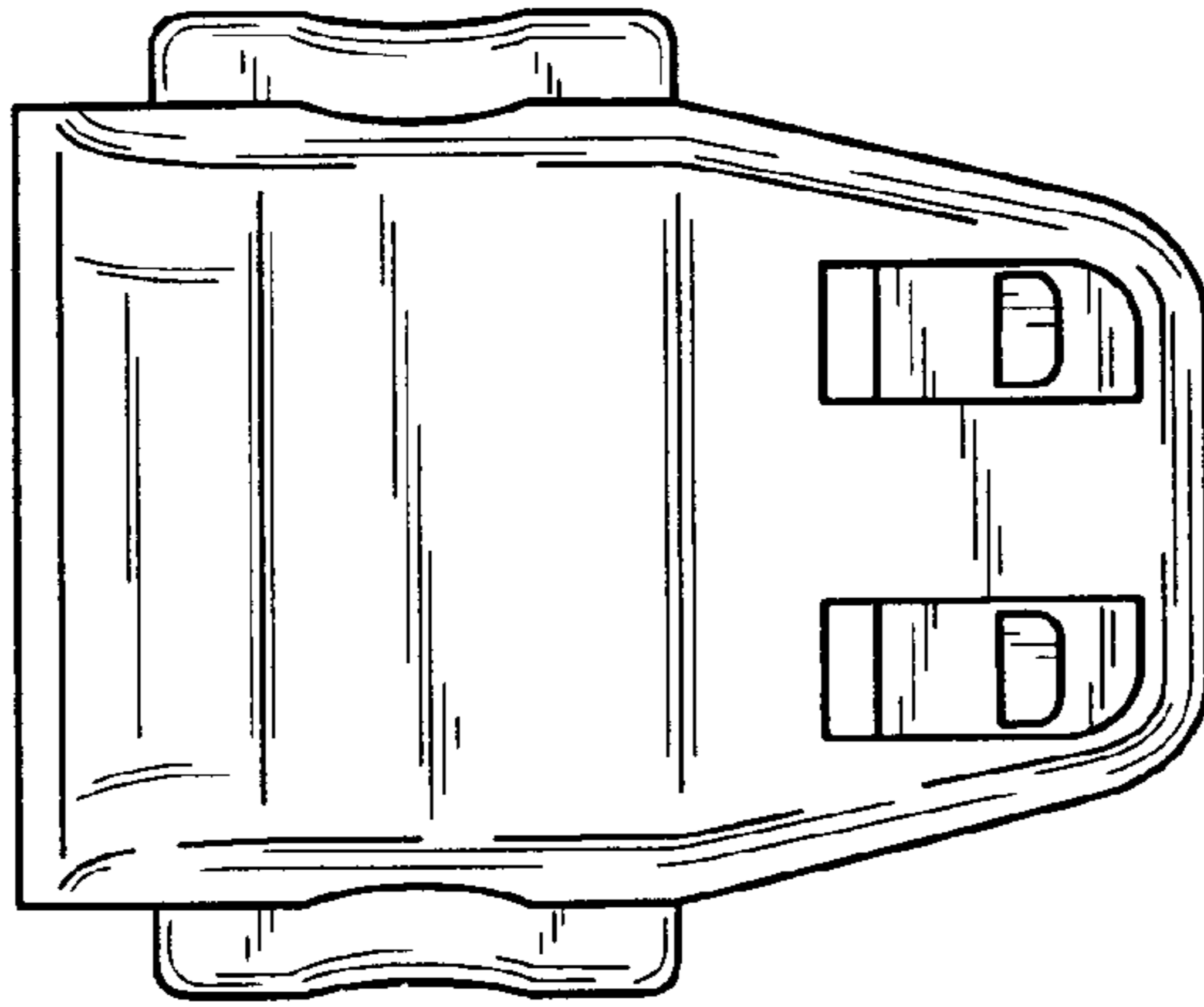


Fig. 15

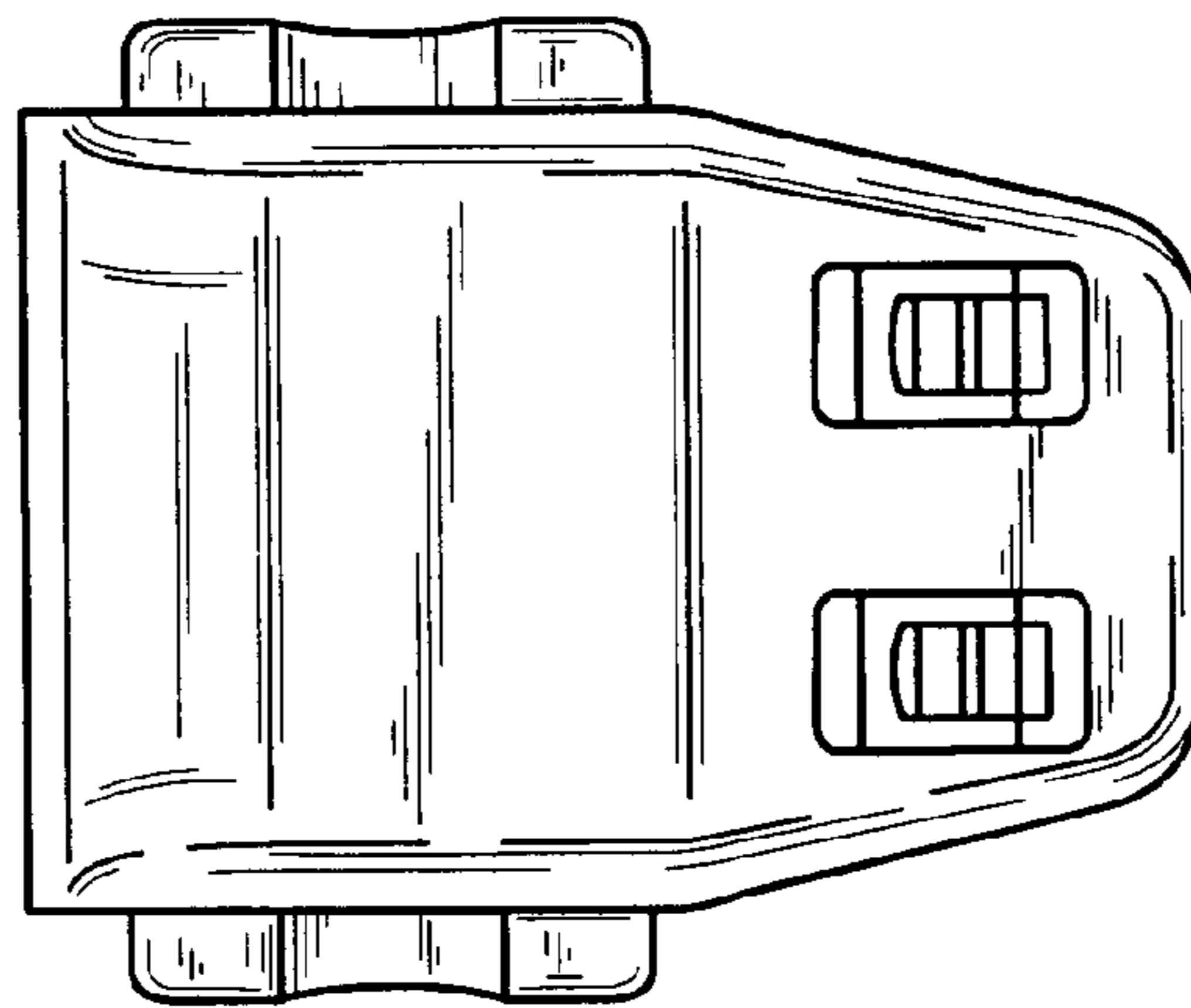


Fig. 16