



US00D465840S

(12) **United States Design Patent** (10) **Patent No.:** **US D465,840 S**  
**Marchiano et al.** (45) **Date of Patent:** **\*\* Nov. 19, 2002**

(54) **OSCILLATING FAN WITH DECORATIVE GRILL**

D436,161 S \* 1/2001 Leslie ..... D23/382

\* cited by examiner

(76) Inventors: **Robert Marchiano**, 308 Brookside Ter.,  
Tonawanda, NY (US) 14150; **Louis Calostipes**, P.O. Box 182, Kenmore,  
NY (US) 14217

*Primary Examiner*—Lisa Lichtenstein

(\*\*) Term: **14 Years**

(57) **CLAIM**

The ornamental design for a oscillating fan with decorative grill, as shown and described.

(21) Appl. No.: **29/157,617**

**DESCRIPTION**

(22) Filed: **Mar. 22, 2002**

FIG. 1 is a front elevational view of the oscillating fan with decorative grill of the present invention;

(51) **LOC (7) Cl.** ..... **23-04**

FIG. 2 is a rear elevational view of the oscillating fan with decorative grill of FIG. 1;

(52) **U.S. Cl.** ..... **D23/382**

FIG. 3 is a right side elevational view of the oscillating fan with decorative grill of FIG. 1;

(58) **Field of Search** ..... D23/381, 382,  
D23/328, 332; 416/246 R, 247

FIG. 4 is a left side elevational view of the oscillating fan with decorative grill of FIG. 1;

(56) **References Cited**

FIG. 5 is a top plan view of the oscillating fan with decorative grill of FIG. 1; and,

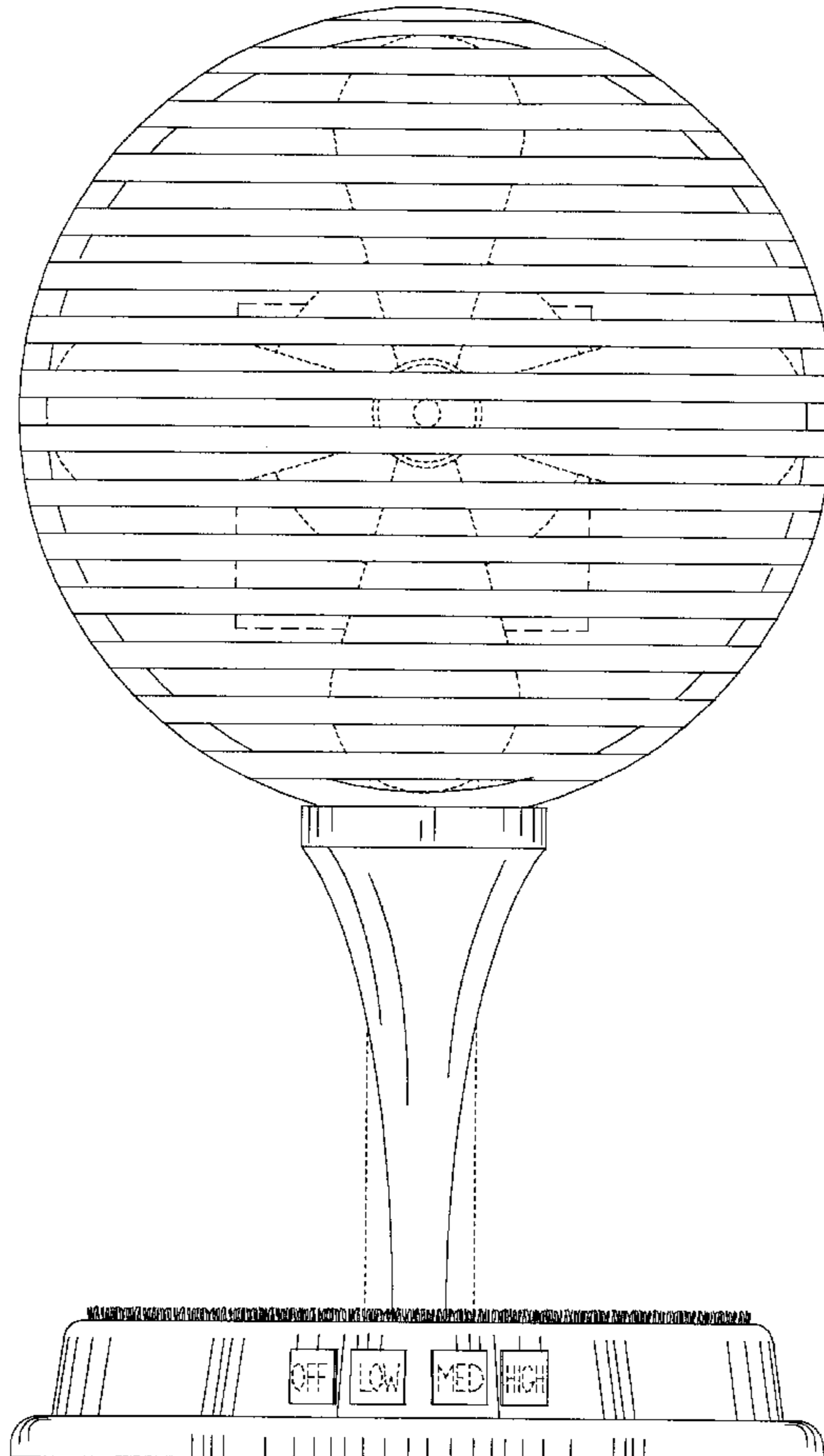
**U.S. PATENT DOCUMENTS**

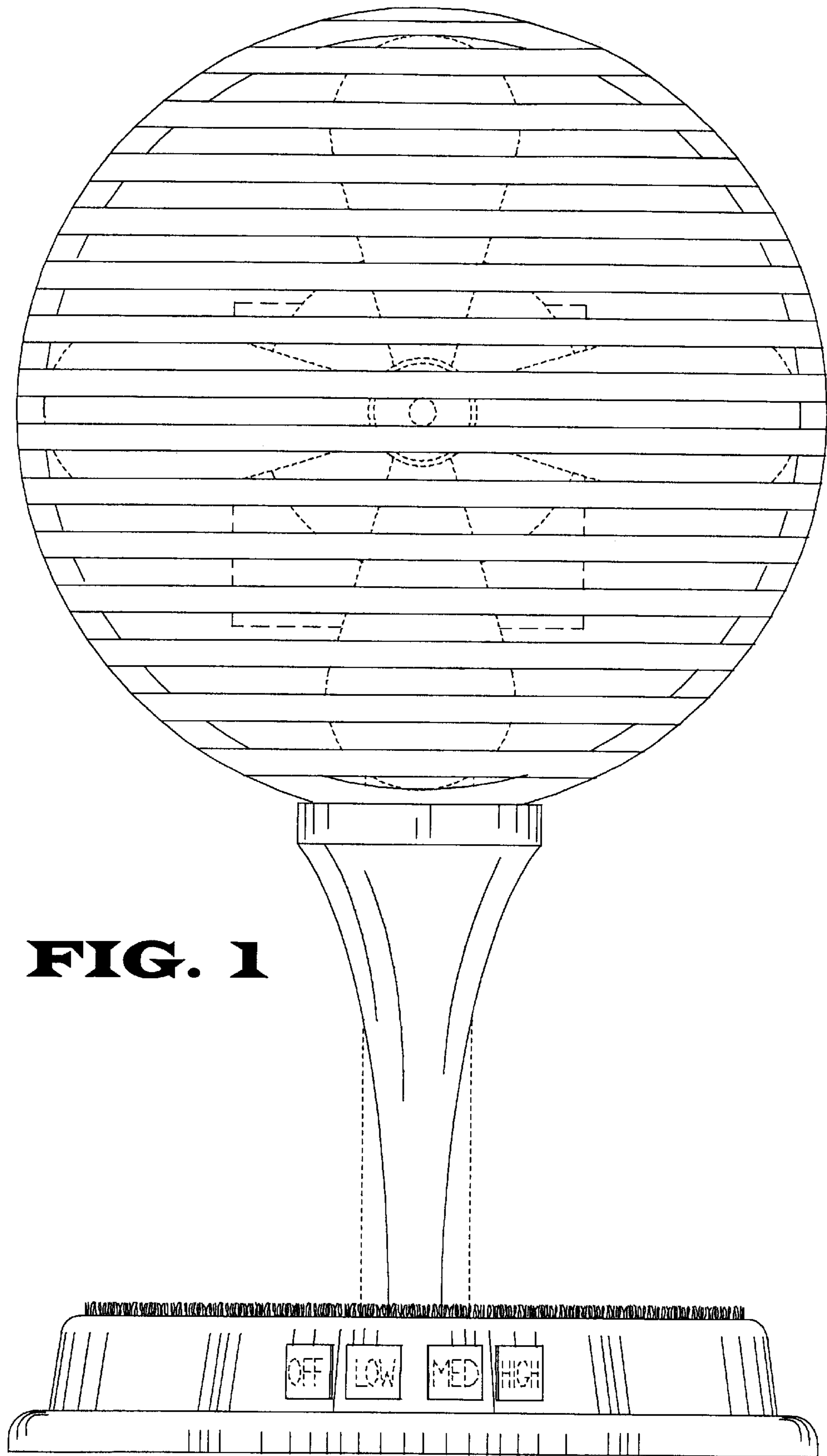
FIG. 6 is a bottom plan view of the oscillating fan with decorative grill of FIG. 1.

- D218,429 S \* 8/1970 Yotsukura ..... D23/382
- 3,787,142 A 1/1974 Dupke
- D298,648 S 11/1988 Gill
- D304,368 S 10/1989 Suzuki
- D306,203 S 2/1990 Wei
- D418,595 S \* 1/2000 Leslie ..... D23/381

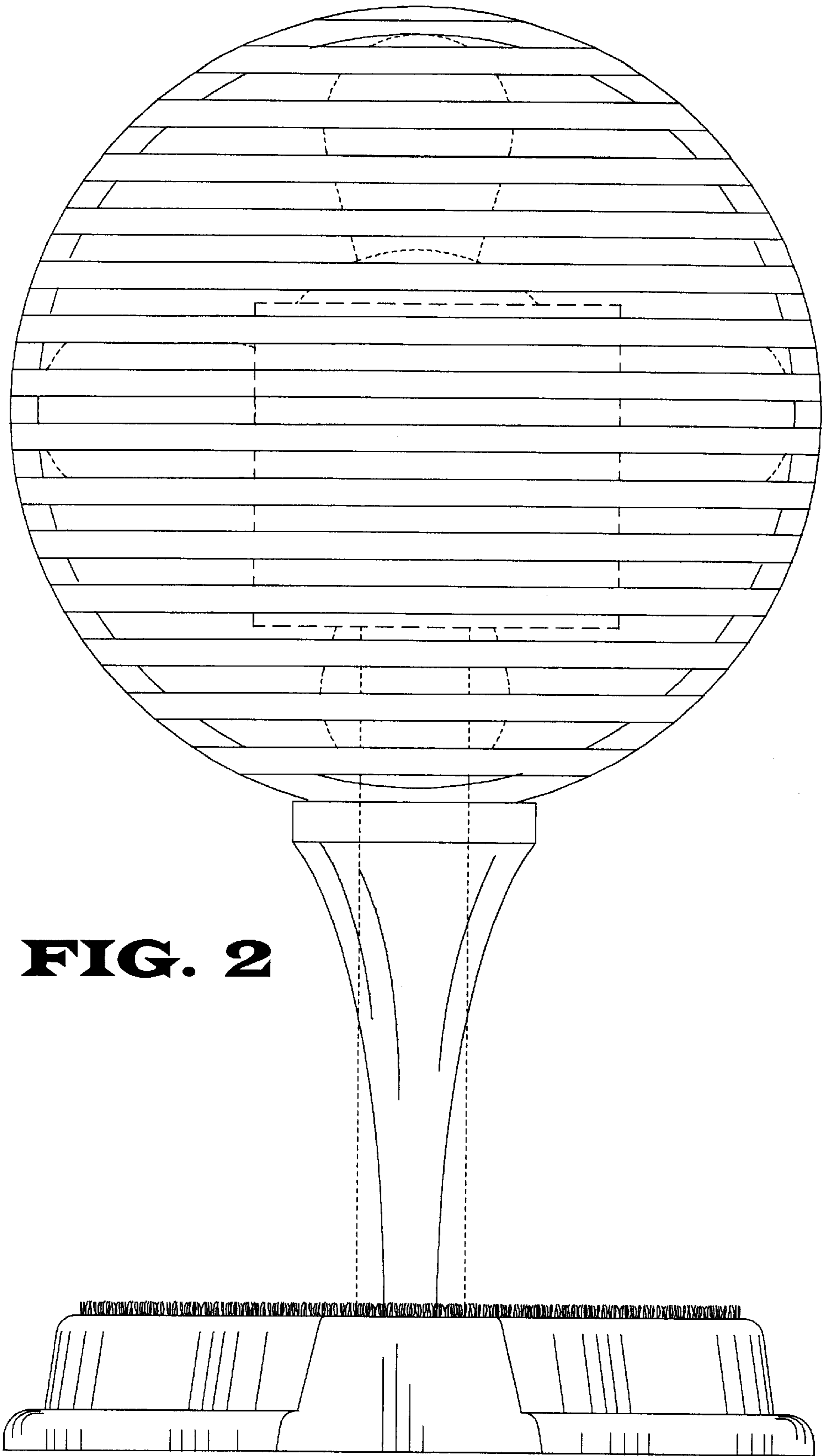
The broken line showing of environmental structure in FIGS. 1-4 is for illustrative purposes only and forms no part of the claimed design.

**1 Claim, 6 Drawing Sheets**

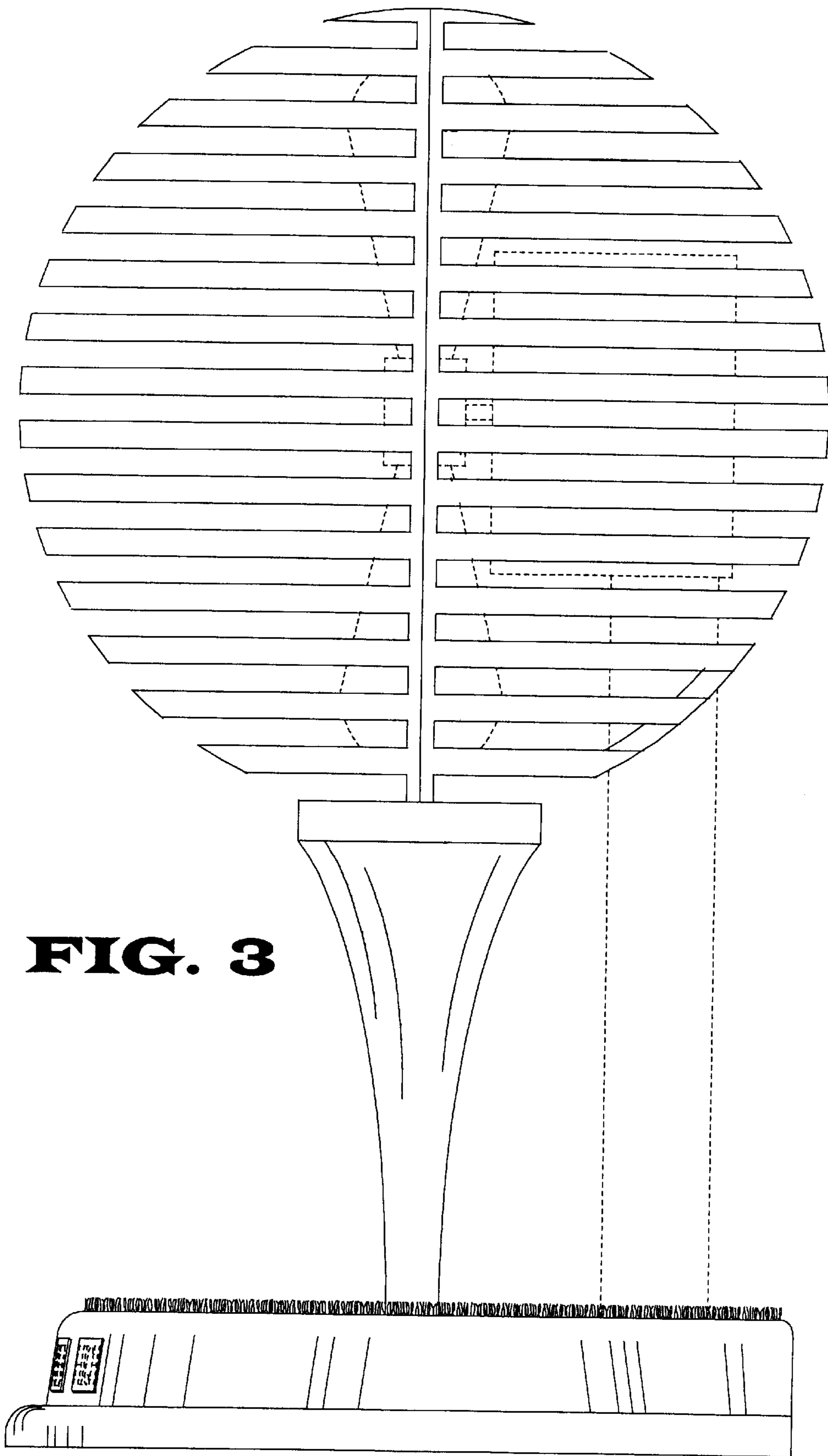




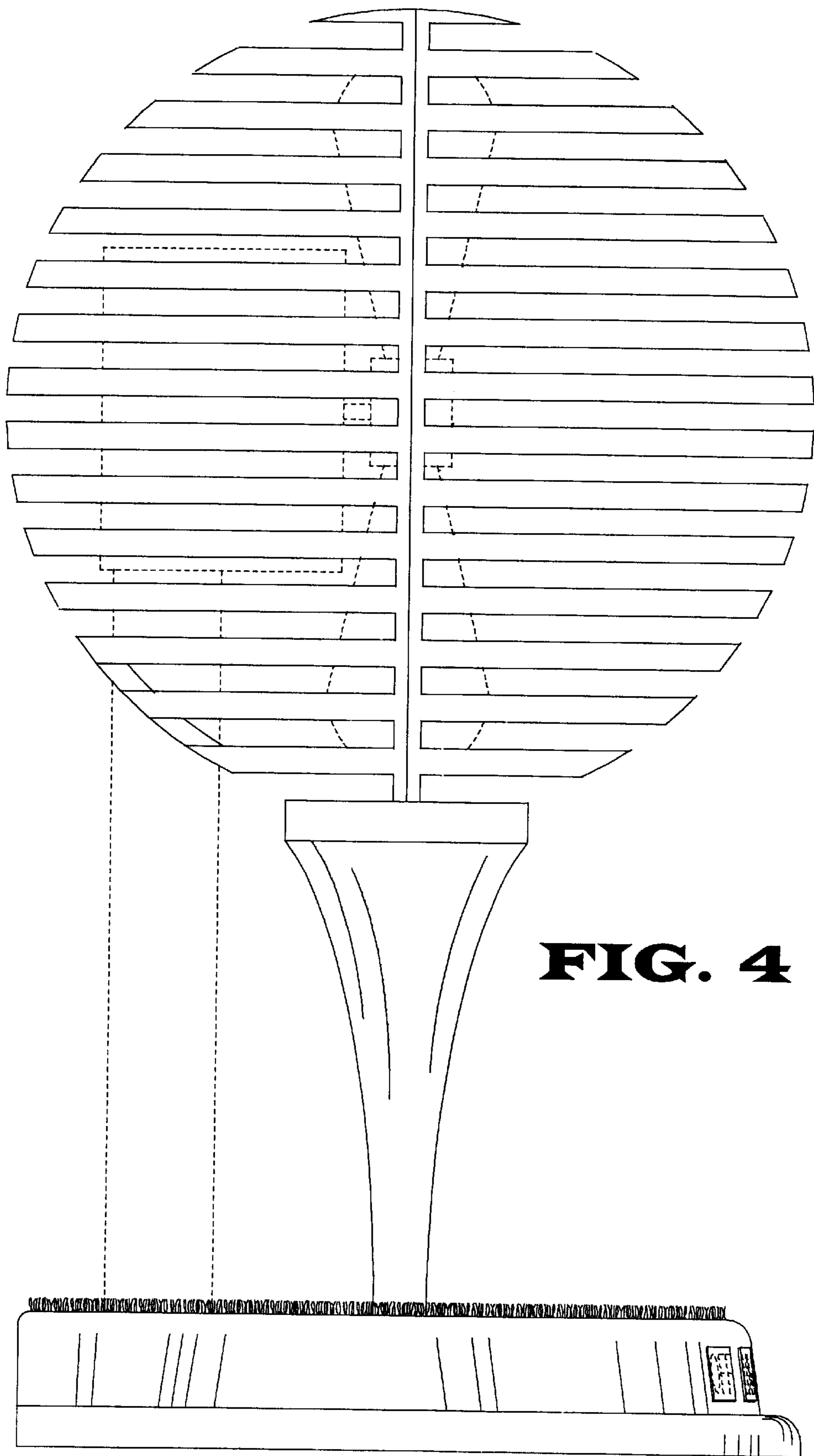
**FIG. 1**



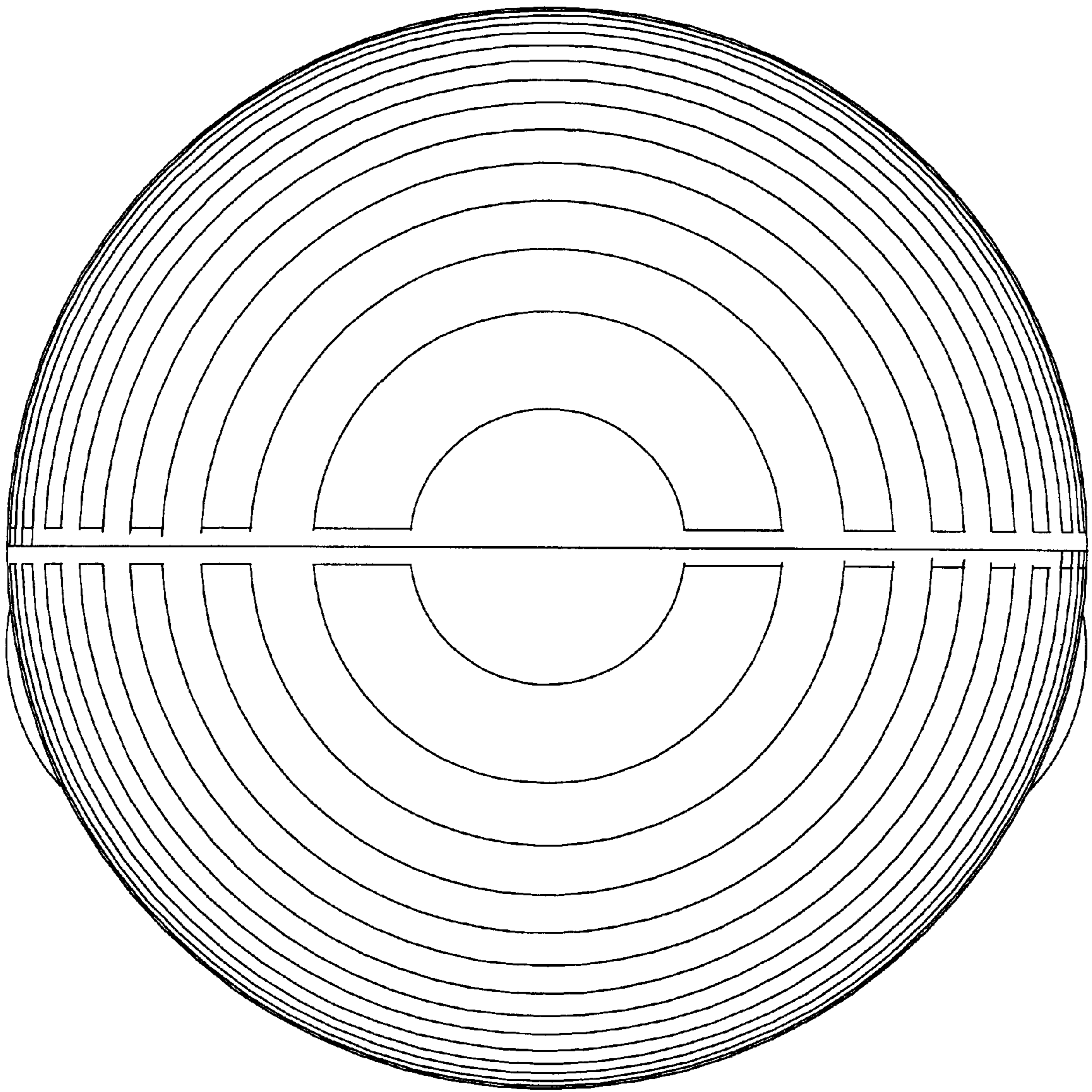
**FIG. 2**



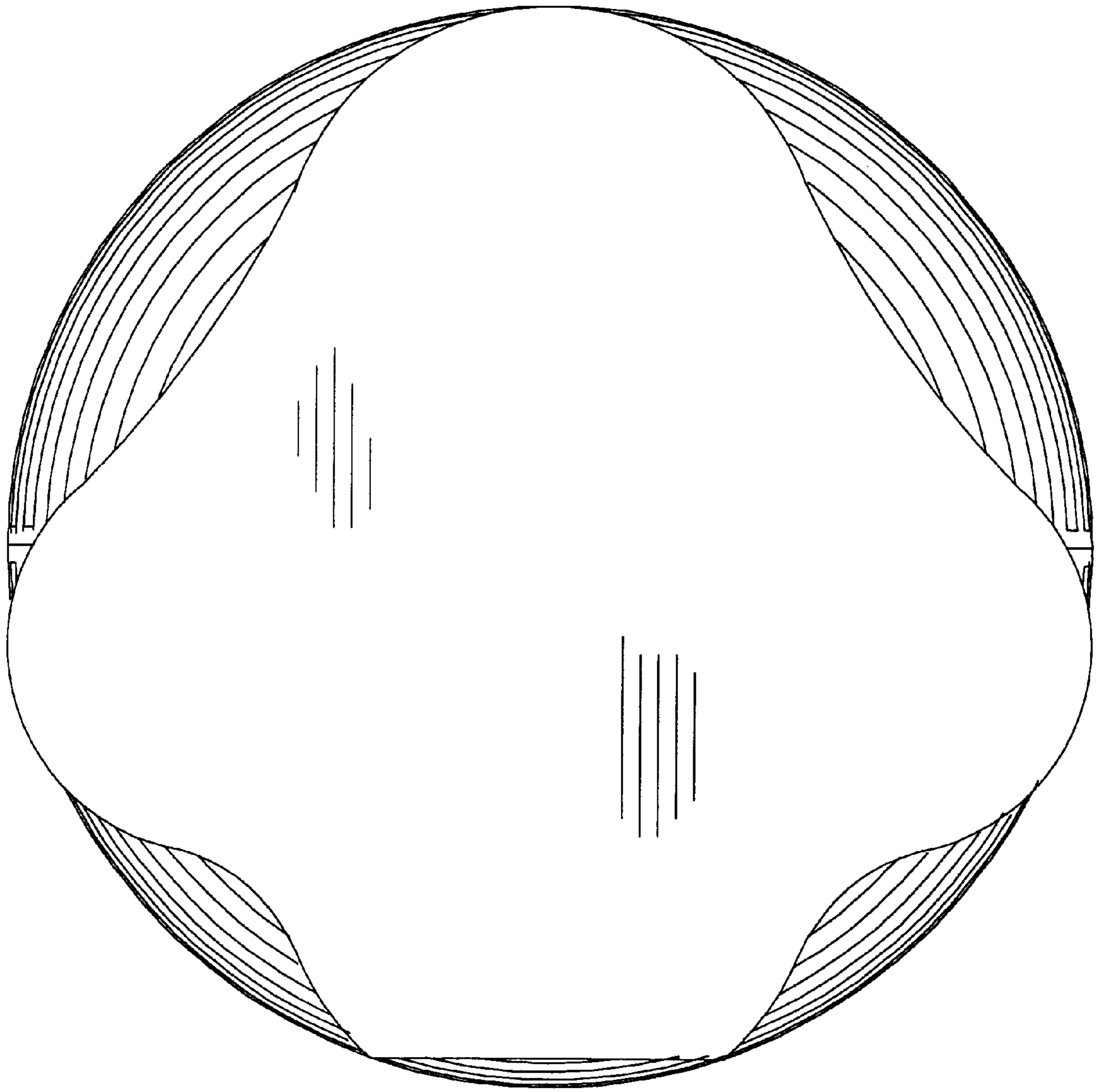
**FIG. 3**



**FIG. 4**



**FIG. 5**



**FIG. 6**