



US00D465837S

(12) **United States Design Patent**
Hatanaka et al.

(10) **Patent No.:** **US D465,837 S**

(45) **Date of Patent:** **** Nov. 19, 2002**

(54) **AIR CONDITIONER**

D448,073 S * 9/2001 Wakasa D23/351

(75) Inventors: **Takehiro Hatanaka**, Kawasaki (JP);
Kazuo Motonishi, Kawasaki (JP)

OTHER PUBLICATIONS

Japanese Design Journal issued on Nov. 6., 1998 (Reg. No. 1024891).

(73) Assignee: **Fujitsu General Limited**,
Kanagawa-Ken (JP)

* cited by examiner

(**) Term: **14 Years**

Primary Examiner—B. J. Bullock

(21) Appl. No.: **29/148,382**

(74) *Attorney, Agent, or Firm*—Sughrue Mion, PLLC

(22) Filed: **Sep. 20, 2001**

(57) **CLAIM**

(30) **Foreign Application Priority Data**

The ornamental design for an air conditioner, as shown and described.

Mar. 26, 2001 (JP) 2001-008583

DESCRIPTION

(51) **LOC (7) Cl.** **23-04**

FIG. 1 is a perspective view of the front, bottom and right side of an air conditioner showing our new design;

(52) **U.S. Cl.** **D23/351**

FIG. 2 is a top plan view thereof;

(58) **Field of Search** D23/351-354;
62/259.1, 259.4, 262, 263, 298; 312/236;
165/122; 454/201-204

FIG. 3 is a front elevational view thereof;

FIG. 4 is a right side elevational view thereof, the opposite side being a mirror image thereof;

(56) **References Cited**

FIG. 5 is a bottom plan view thereof;

U.S. PATENT DOCUMENTS

FIG. 6 is a rear elevational view thereof; and,

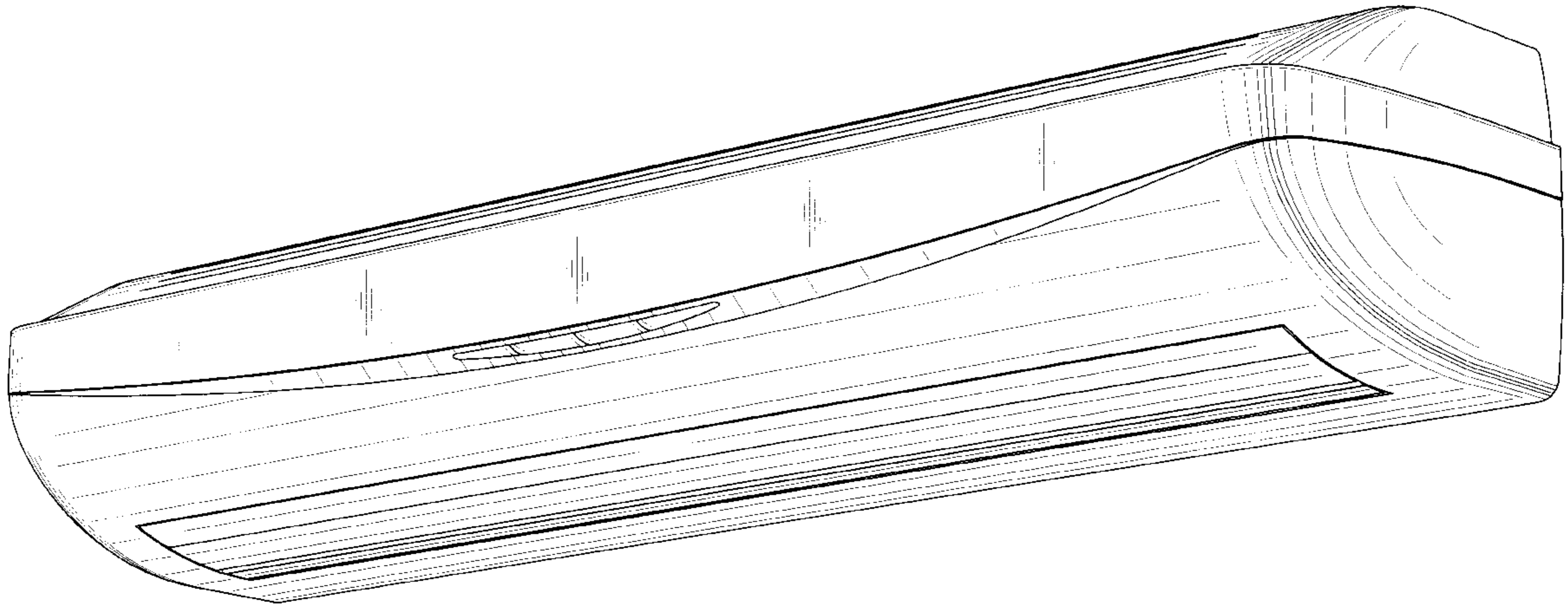
5,600,963 A * 2/1997 Koo et al. 62/262

FIG. 7 is a perspective view similar to FIG. 1 with the ventilation slats in the open position.

D384,735 S * 10/1997 Saccone D23/351

D447,226 S * 8/2001 Hatanaka et al. D23/351

1 Claim, 5 Drawing Sheets



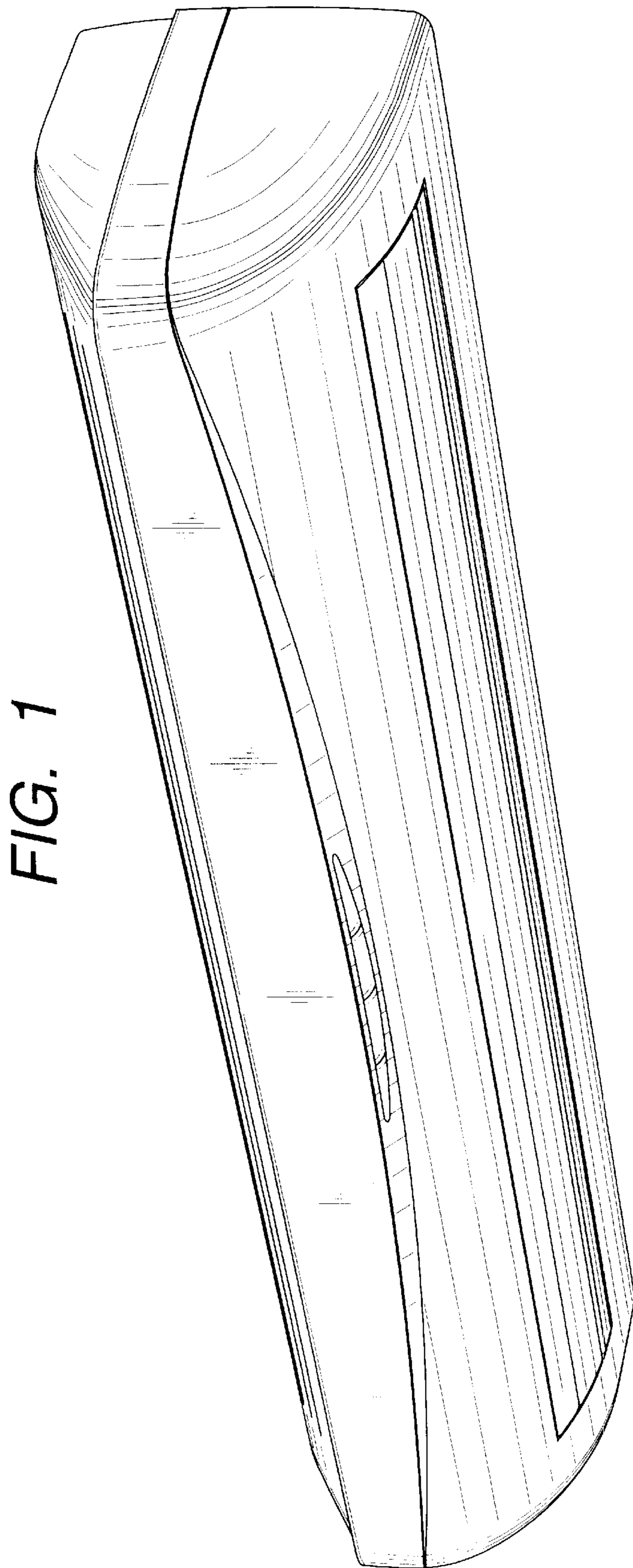


FIG. 1

FIG. 2

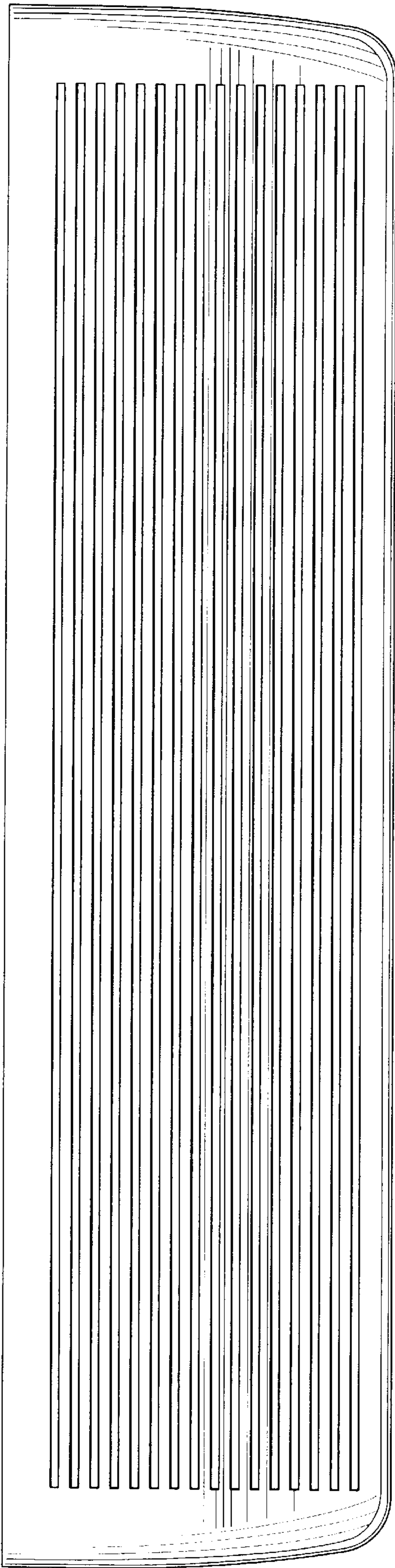
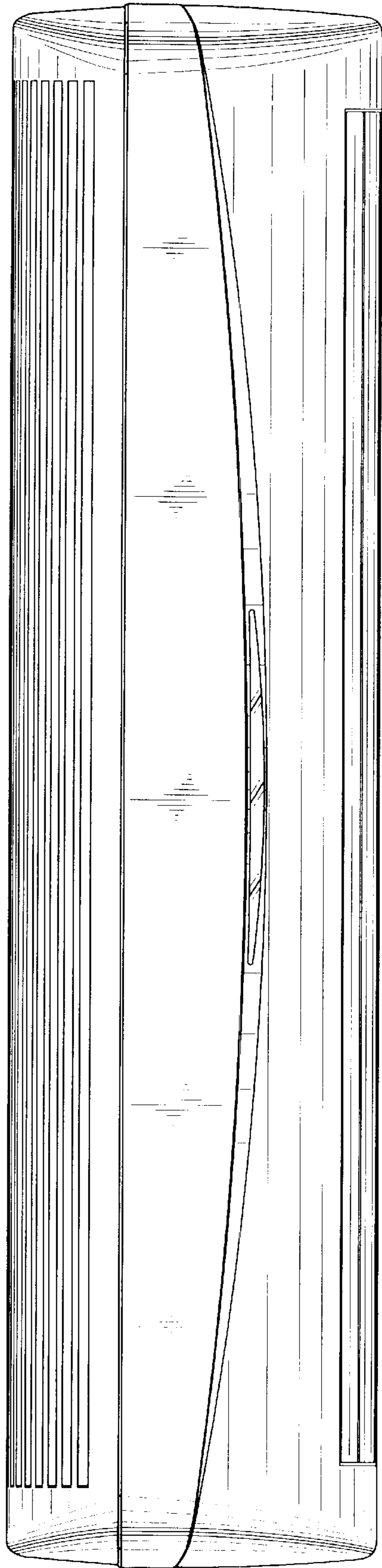


FIG. 3



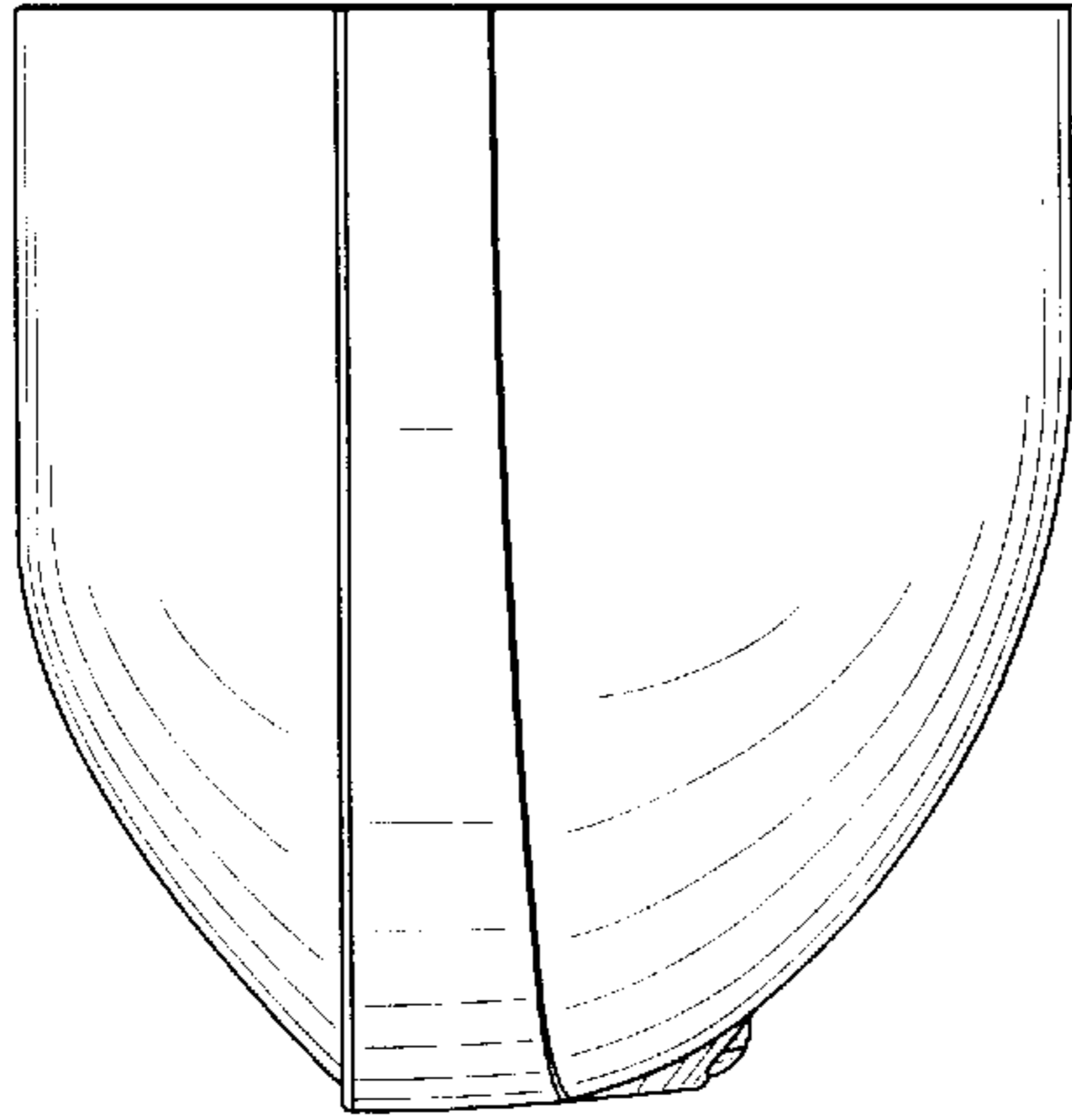


FIG. 4

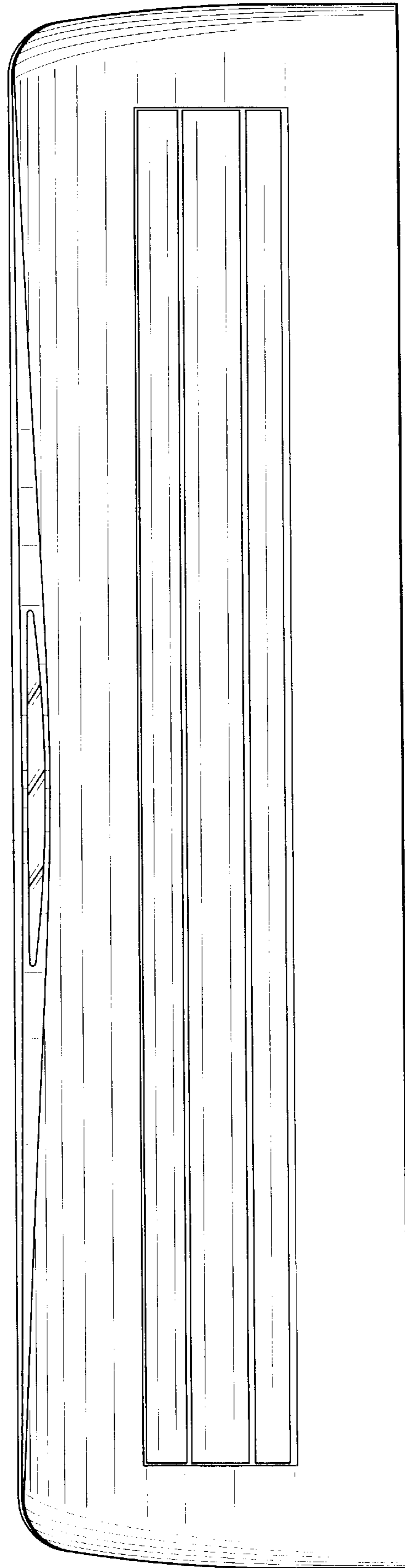


FIG. 5

FIG. 6

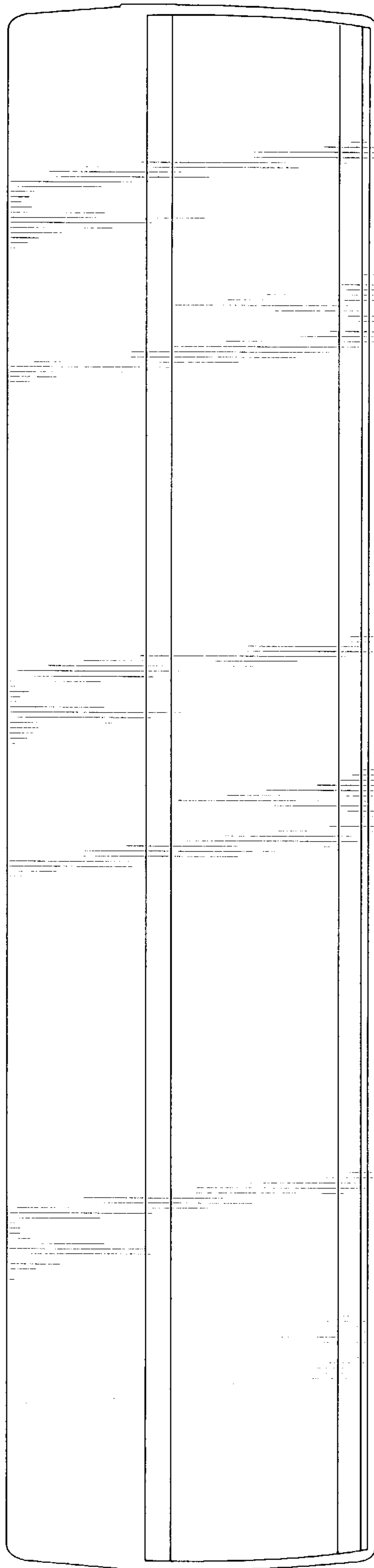


FIG. 7

