



US00D465836S

(12) **United States Design Patent**  
**Smith et al.**

(10) **Patent No.:** **US D465,836 S**

(45) **Date of Patent:** **\*\* Nov. 19, 2002**

(54) **OUTDOOR HEATER WITH OFFSET ARM**

D450,816 S \* 11/2001 Bilotti ..... D23/328

(75) Inventors: **Richard R. Smith**, Broken Arrow, OK (US); **Wei Dong Jin**, Shenzhen (CN)

**OTHER PUBLICATIONS**

Web page from Artic Products web site for Arctic® Heater (printed Jan. 14, 2002).

(73) Assignee: **Arctic Products, L.L.C.**, Broken Arrow, OK (US)

\* cited by examiner

(\*\*) Term: **14 Years**

*Primary Examiner*—B. J. Bullock

(74) *Attorney, Agent, or Firm*—Banner & Witcoff, Ltd.

(21) Appl. No.: **29/146,482**

(22) Filed: **Aug. 10, 2001**

(57) **CLAIM**

The ornamental design for an outdoor heater with offset arm, as shown.

(51) **LOC (7) Cl.** ..... **23-03**

(52) **U.S. Cl.** ..... **D23/342**

(58) **Field of Search** ..... D23/332, 342;  
126/25 R, 67, 92 A, 92 B

**DESCRIPTION**

FIG. 1 is a front elevational view of an outdoor heater with offset arm showing our new design;  
FIG. 2 is a left-side-elevational view thereof;  
FIG. 3 is a rear elevational view thereof;  
FIG. 4 is a top plan view thereof; and,  
FIG. 5 is a bottom plan view thereof.

(56) **References Cited**

**U.S. PATENT DOCUMENTS**

D325,963 S	*	5/1992	Anderson	.....	D23/342
D429,324 S	*	8/2000	Olson et al.	.....	D23/342
6,164,273 A	*	12/2000	Waters	.....	126/92 B
D446,290 S	*	8/2001	Jeng	.....	D23/328

**1 Claim, 4 Drawing Sheets**

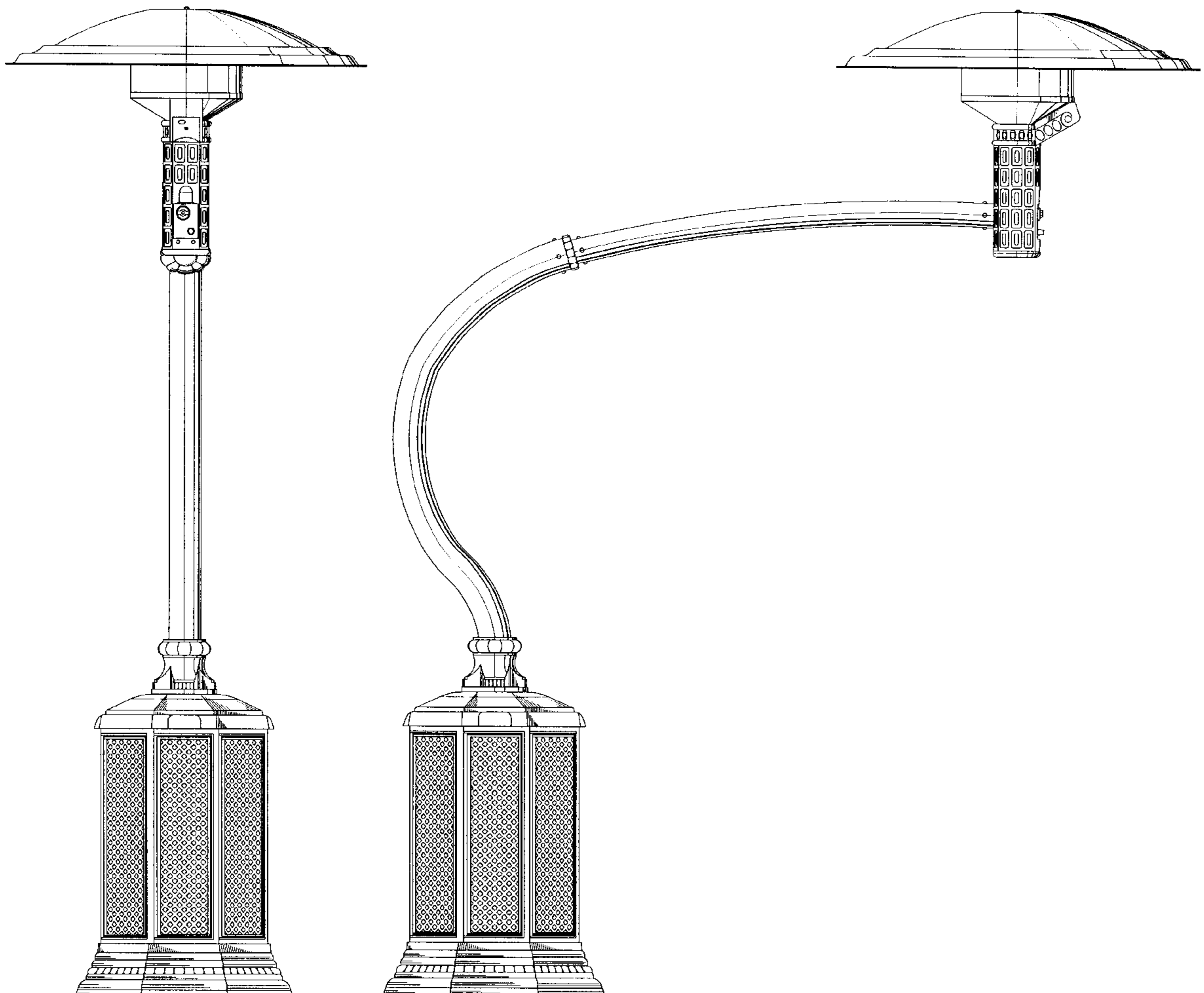


Fig. 1

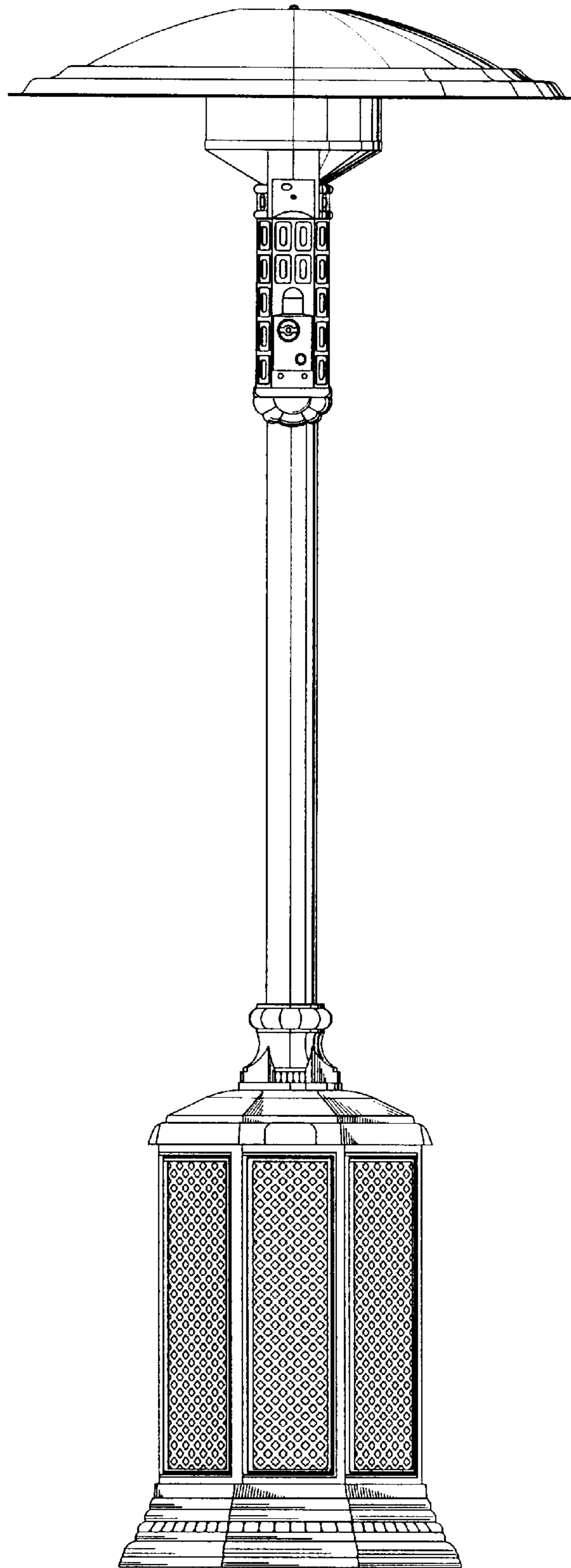


Fig. 2

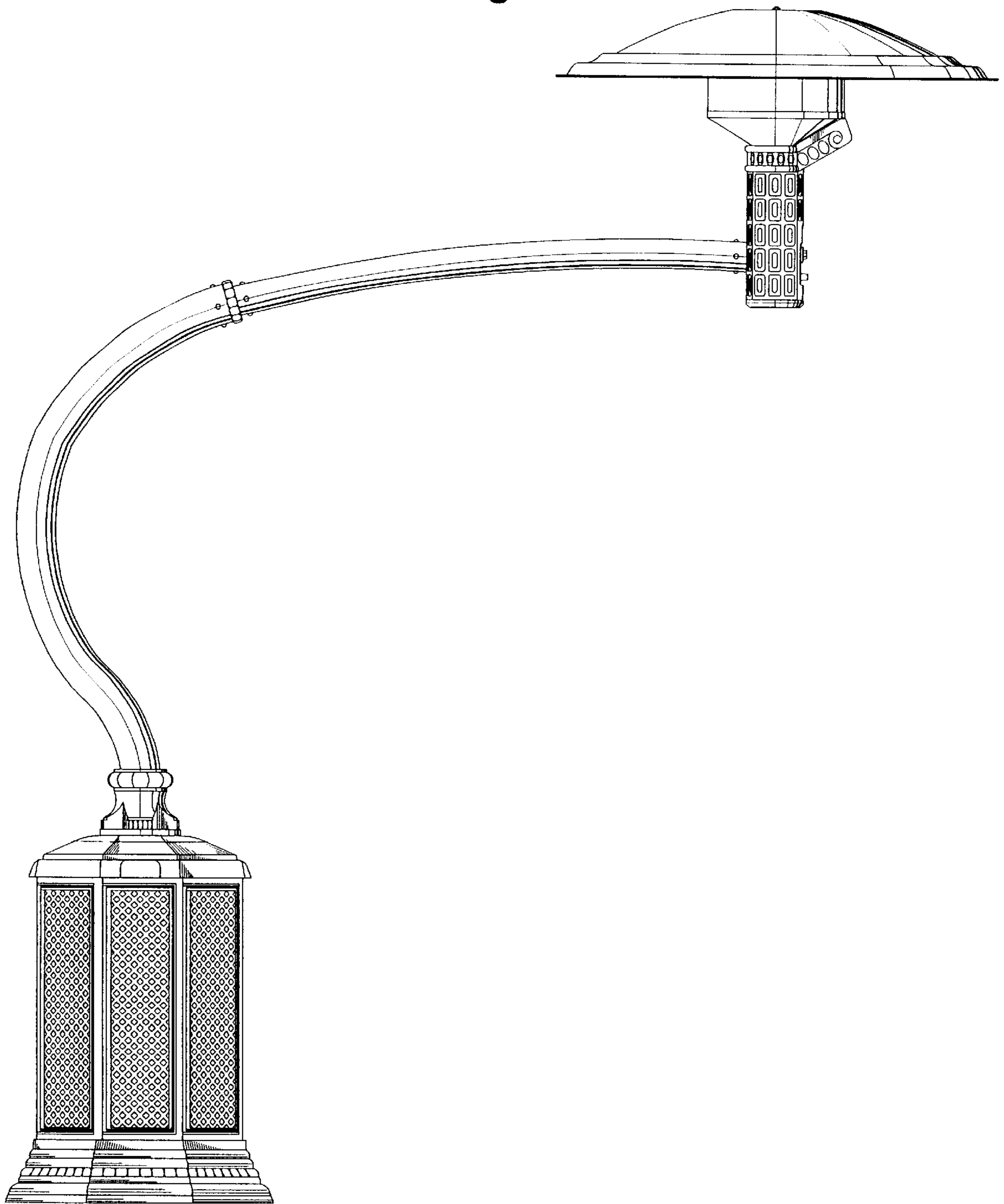


Fig. 3

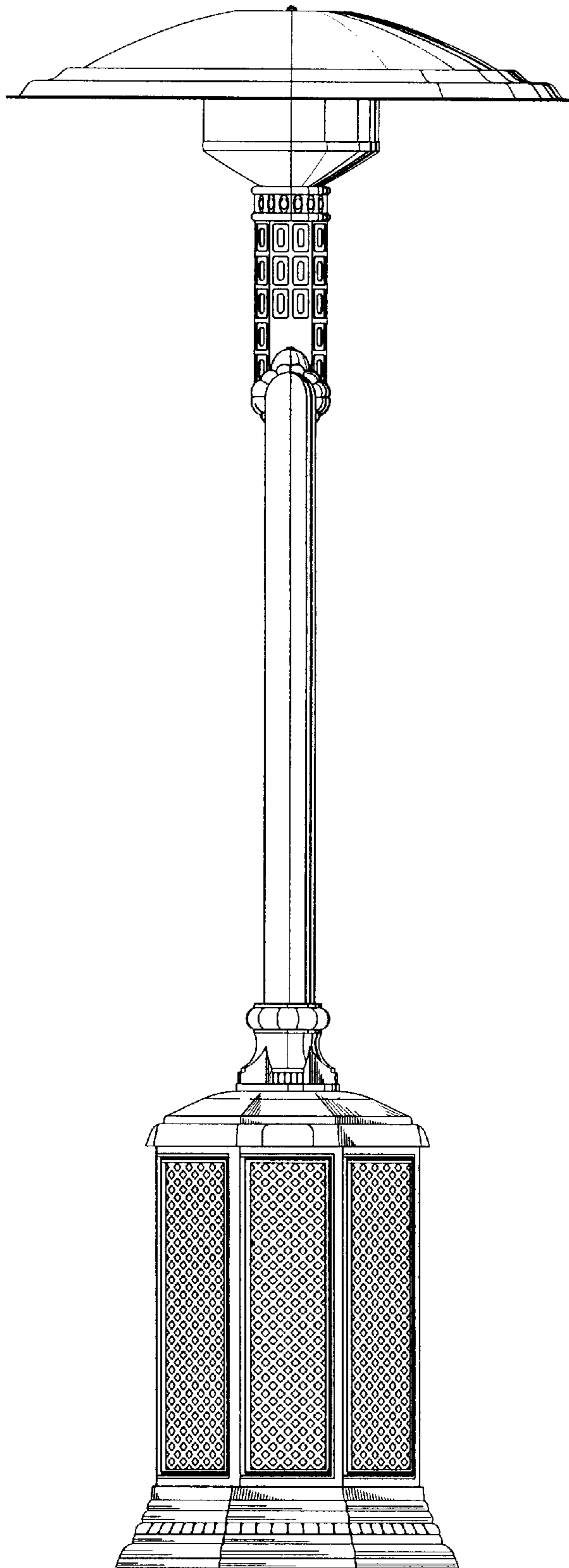


Fig. 4

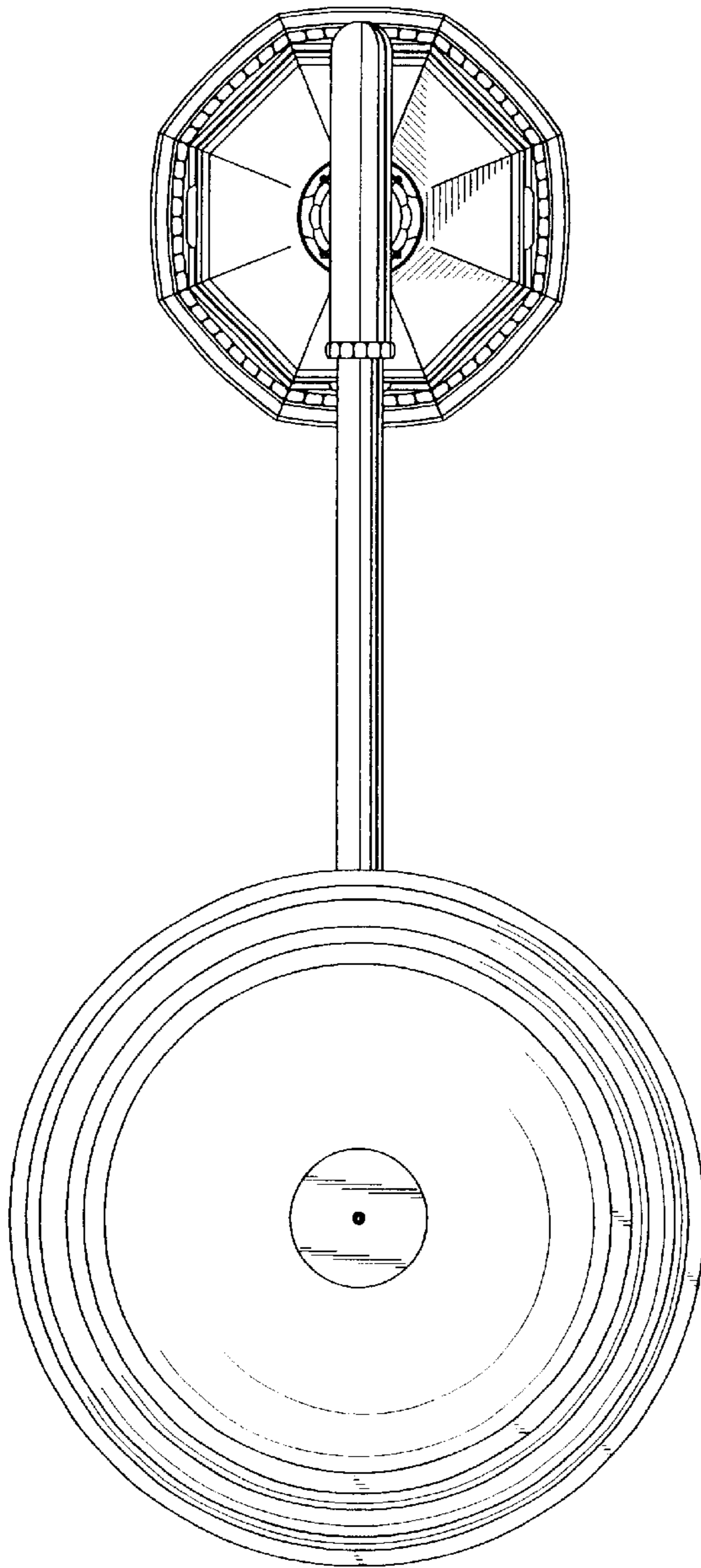


Fig. 5

