



US00D465834S

(12) **United States Design Patent**
Singtoroj

(10) **Patent No.:** **US D465,834 S**

(45) **Date of Patent:** **** Nov. 19, 2002**

(54) **SPOUT**
(75) **Inventor:** **Yos Singtoroj, Anaheim, CA (US)**
(73) **Assignee:** **Emhart LLC, Newark, DE (US)**
(**) **Term:** **14 Years**

D377,516 S 1/1997 Doughty et al.
D387,130 S 12/1997 Warshawsky
D408,897 S 4/1999 Warshawsky
D409,726 S 5/1999 Formgren
D414,546 S 9/1999 Cosolito et al.
D415,259 S 10/1999 Slothower
D417,490 S 12/1999 Formgren

(21) **Appl. No.:** **29/153,039**
(22) **Filed:** **Dec. 20, 2001**
(51) **LOC (7) Cl. 23-01**
(52) **U.S. Cl. D23/255; D23/238**
(58) **Field of Search D23/238-243,**
D23/250-257; 4/675-678; 137/807

* cited by examiner

Primary Examiner—Louis S. Zarfes
Assistant Examiner—Gregory Andoll
(74) *Attorney, Agent, or Firm*—Richard J. Veltman; John D. Del Ponti

(56) **References Cited**

U.S. PATENT DOCUMENTS

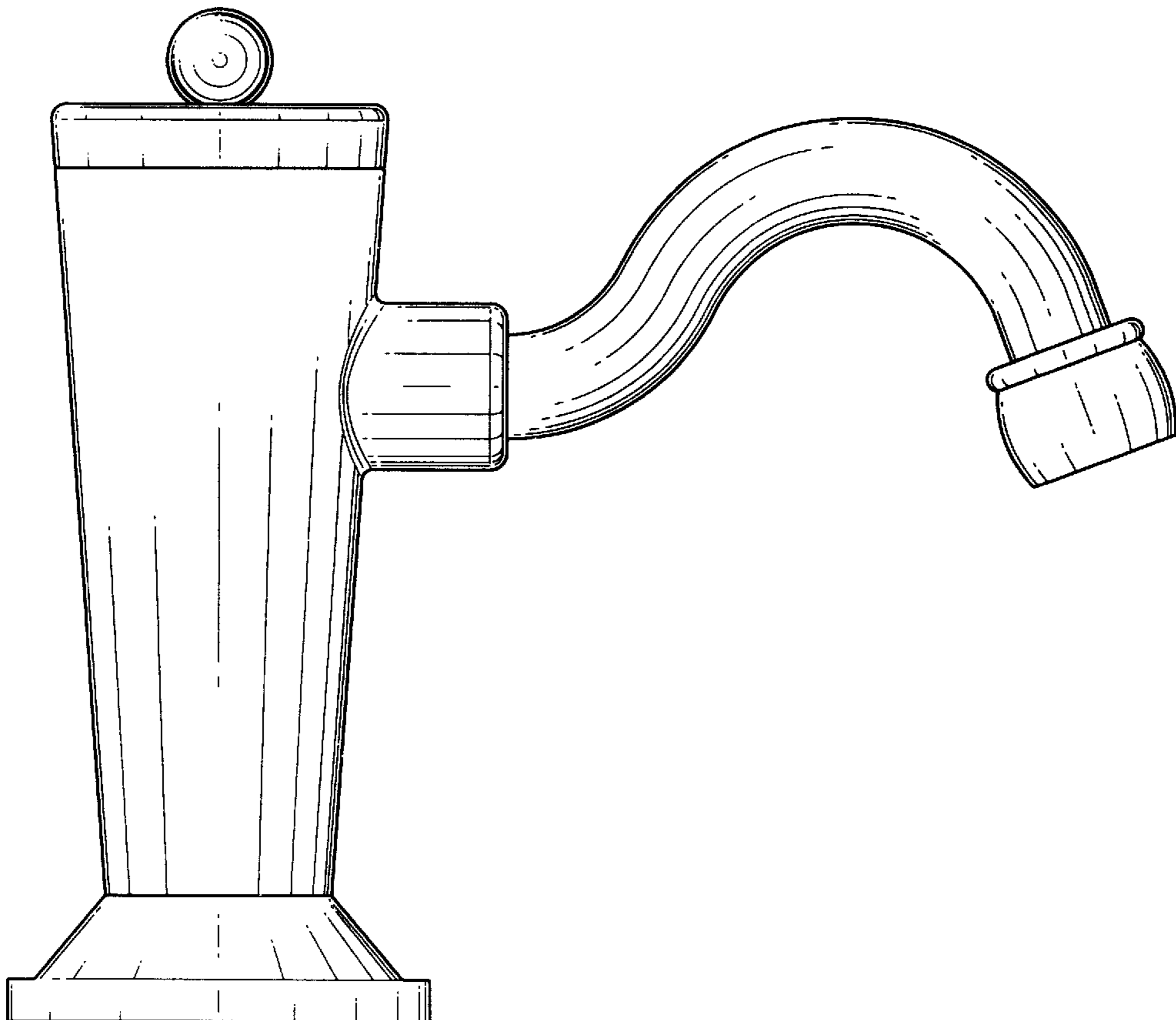
D217,670 S 5/1970 Rowlands
D235,099 S 5/1975 Doman
D263,991 S 4/1982 Fleischmann et al.
D277,537 S * 2/1985 Merl et al. D23/255
D287,395 S 12/1986 Piesco
D318,099 S 7/1991 Reid et al.
D335,917 S 5/1993 Chretien
D340,968 S 11/1993 McKeone et al.
D349,326 S 8/1994 Bollenbacher
D350,183 S 8/1994 Joerger

(57) **CLAIM**
The ornamental design for a spout, as shown and described.

DESCRIPTION

FIG. 1 is a left elevational view of the new design for a spout, the right elevational view being a mirror image;
FIG. 2 is a front elevational view of the new design for a spout;
FIG. 3 is a rear elevational view of the new design for a spout;
FIG. 4 is a top plan view of the new design for a spout; and,
FIG. 5 is a bottom plan view of the new design for a spout.

1 Claim, 5 Drawing Sheets



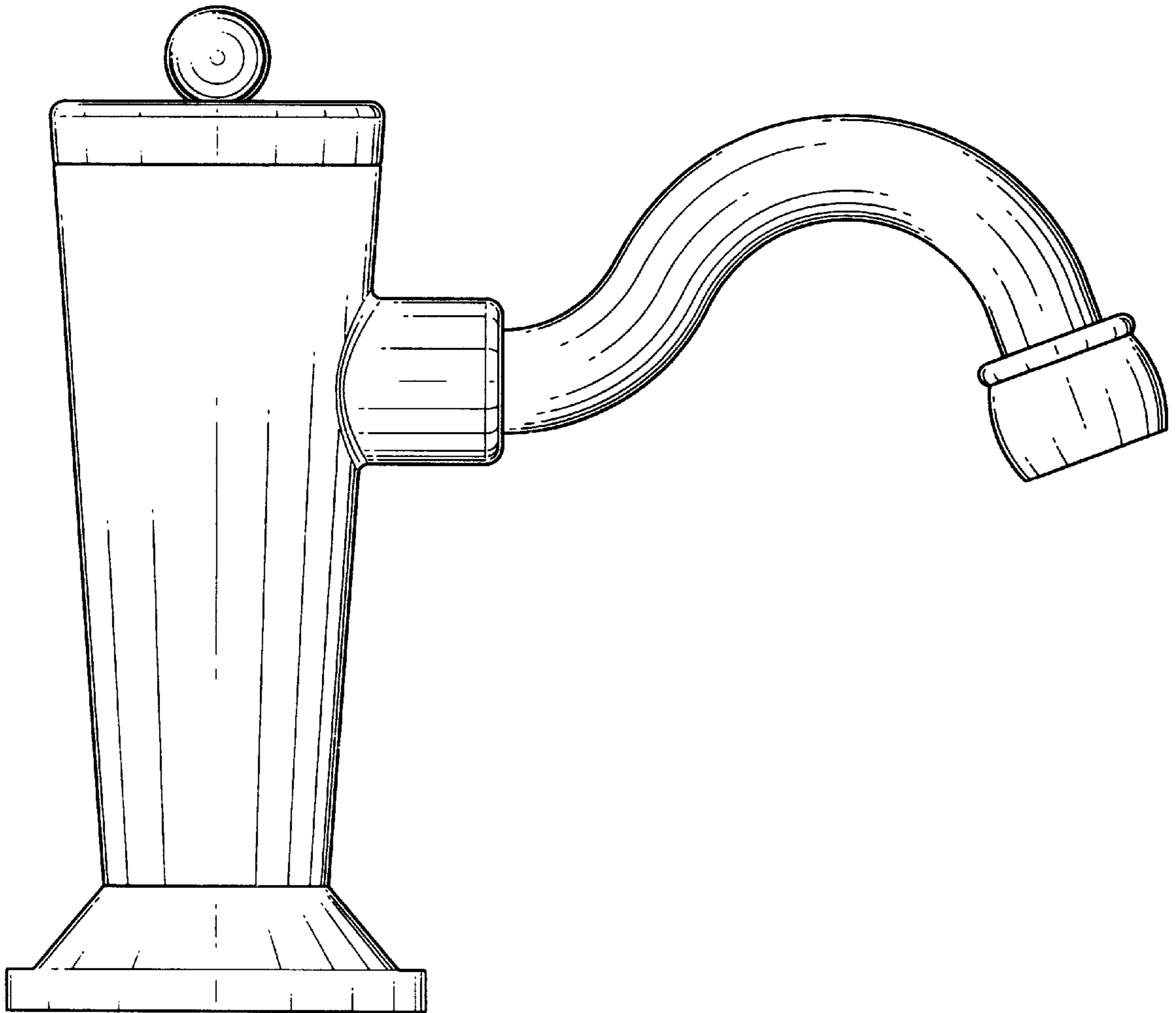


FIG. 1

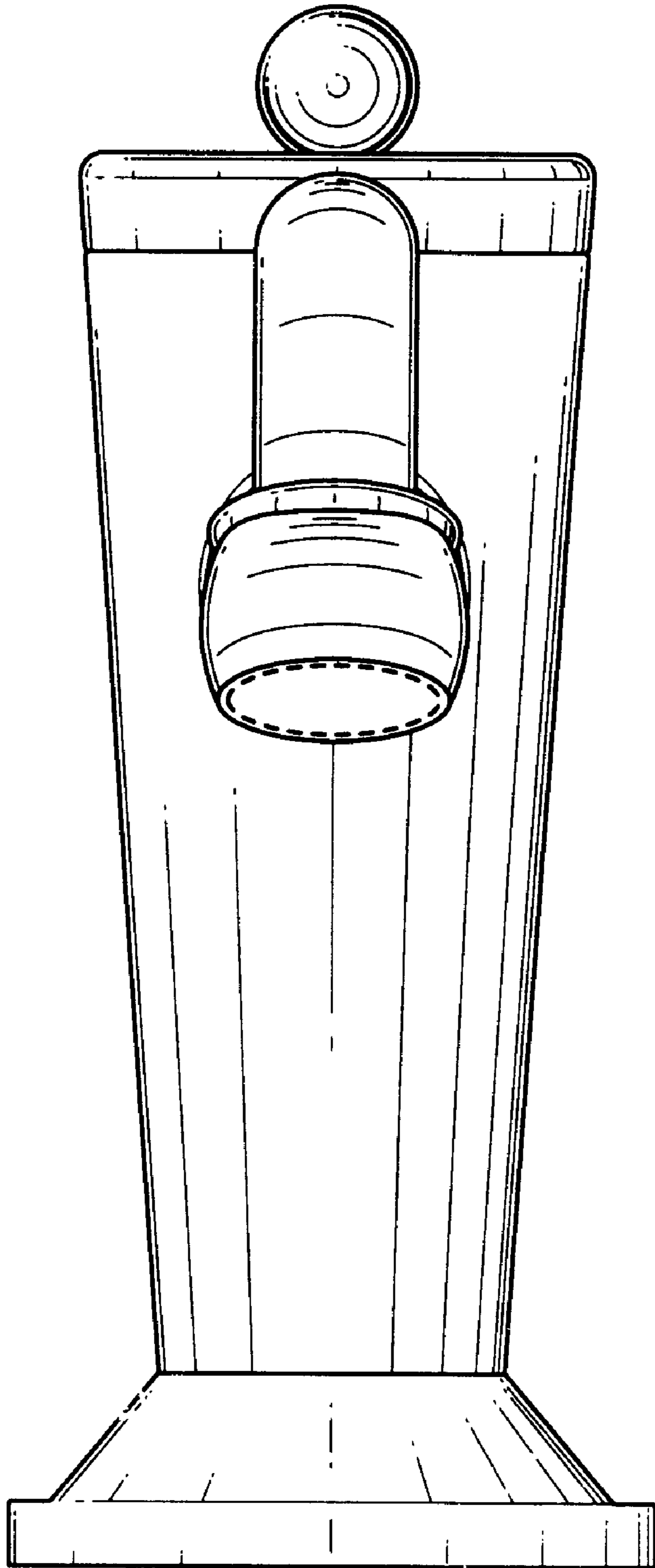


FIG. 2

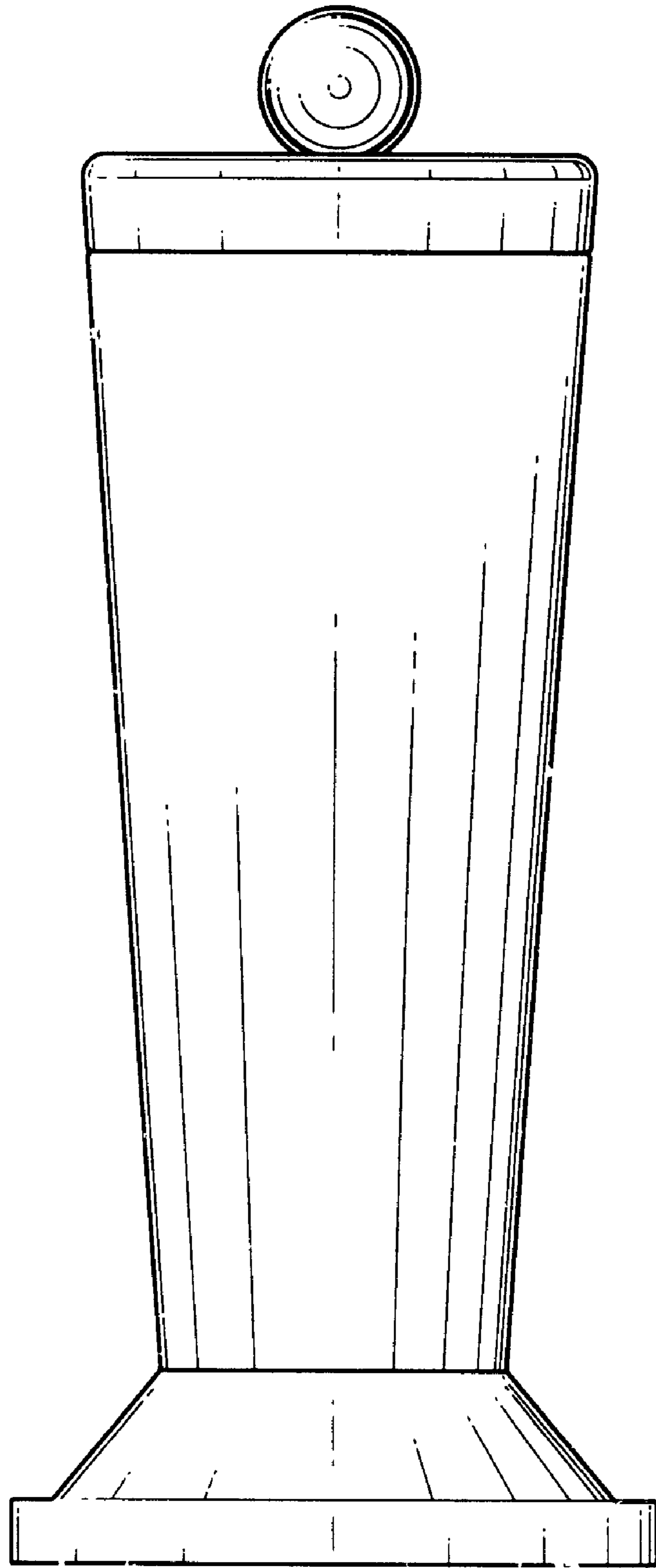


FIG. 3

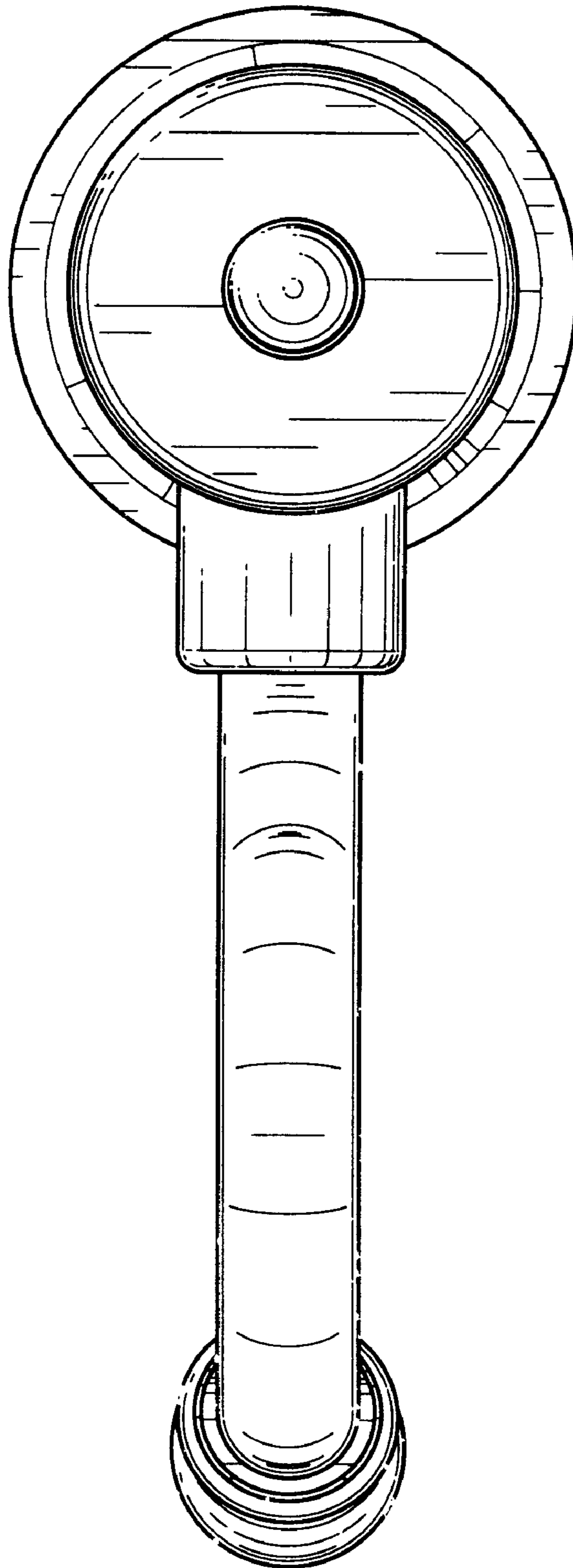


FIG. 4

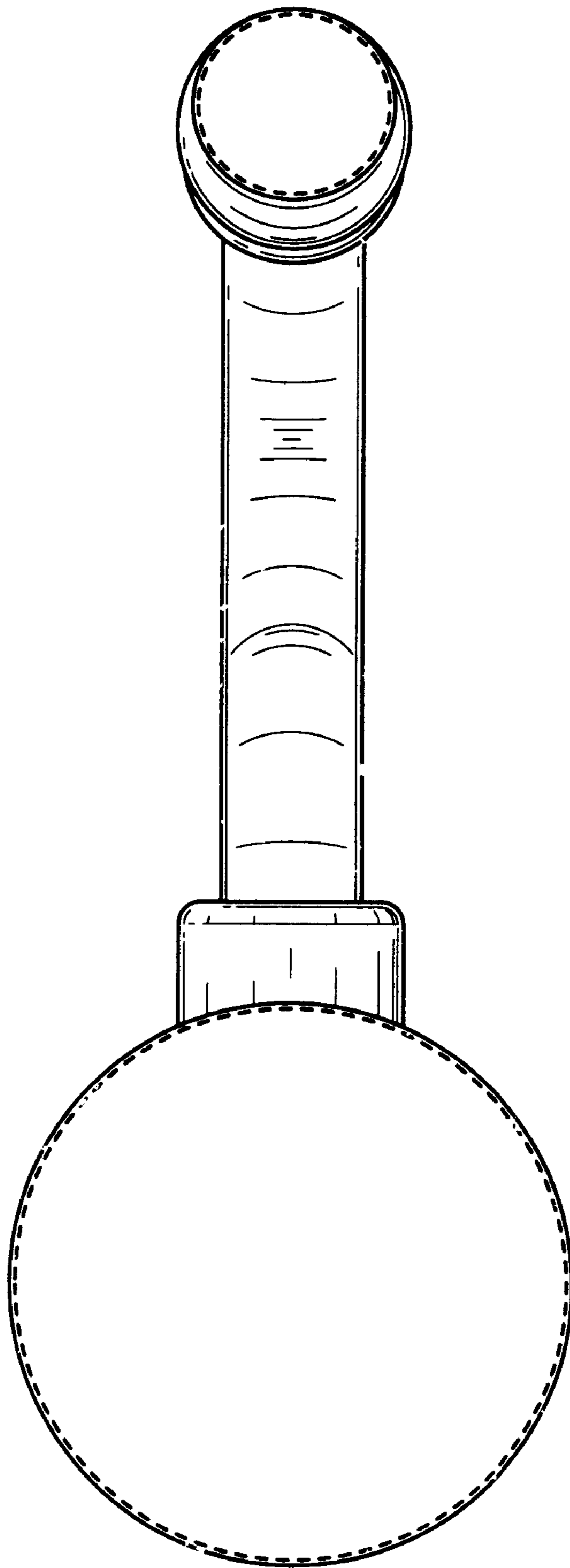


FIG. 5