

US00D465833S

(12) **United States Design Patent**  
**Singtoroj**

(10) **Patent No.:** **US D465,833 S**

(45) **Date of Patent:** **\*\* Nov. 19, 2002**

(54) **FAUCET HANDLE**

(75) **Inventor:** **Yos Singtoroj**, Anaheim, CA (US)

(73) **Assignee:** **Emhart LLC**, Newark, DE (US)

(\*\*) **Term:** **14 Years**

(21) **Appl. No.:** **29/153,040**

(22) **Filed:** **Dec. 20, 2001**

(51) **LOC (7) Cl.** ..... **23-01**

(52) **U.S. Cl.** ..... **D23/252**

(58) **Field of Search** ..... D23/238-243,  
D23/250-257; D8/300-308; 16/110 R,  
118, 121, 125; 4/675-378; 137/801

(56) **References Cited**

**U.S. PATENT DOCUMENTS**

D82,968 S	1/1931	Bales	
D159,415 S	7/1950	Hitchcock	
D185,912 S	8/1959	Hvale	
D249,155 S	8/1978	Doman	
D266,348 S	9/1982	Piesco	..... D23/252
D271,514 S	11/1983	Paul	
D290,496 S	6/1987	Ryan	
D290,870 S	7/1987	Paul	
D299,854 S	2/1989	Paul	
D311,321 S	10/1990	Jans	
D311,438 S	10/1990	Strignano	
D311,855 S	11/1990	Jans	
D328,335 S	7/1992	Yost	

D333,697 S	3/1993	Thomas	
D334,230 S	3/1993	Bonnell	
D357,730 S	4/1995	Saperstein	
5,465,749 A	11/1995	Sauter et al.	
D382,045 S	8/1997	Hundley et al.	..... D23/252
D429,798 S	8/2000	Milrud et al.	
D434,471 S	11/2000	Jorger	
D441,845 S	5/2001	Fleischmann	
D447,542 S	9/2001	Dretzka	

*Primary Examiner*—Louis S. Zarfaz

*Assistant Examiner*—Gregory Andoll

(74) *Attorney, Agent, or Firm*—Richard J. Veltman; John D. Del Ponti

(57) **CLAIM**

The ornamental design for a faucet handle, as shown and described.

**DESCRIPTION**

FIG. 1 is a left elevational view of the new design for a faucet handle, the right elevational view being a mirror image;

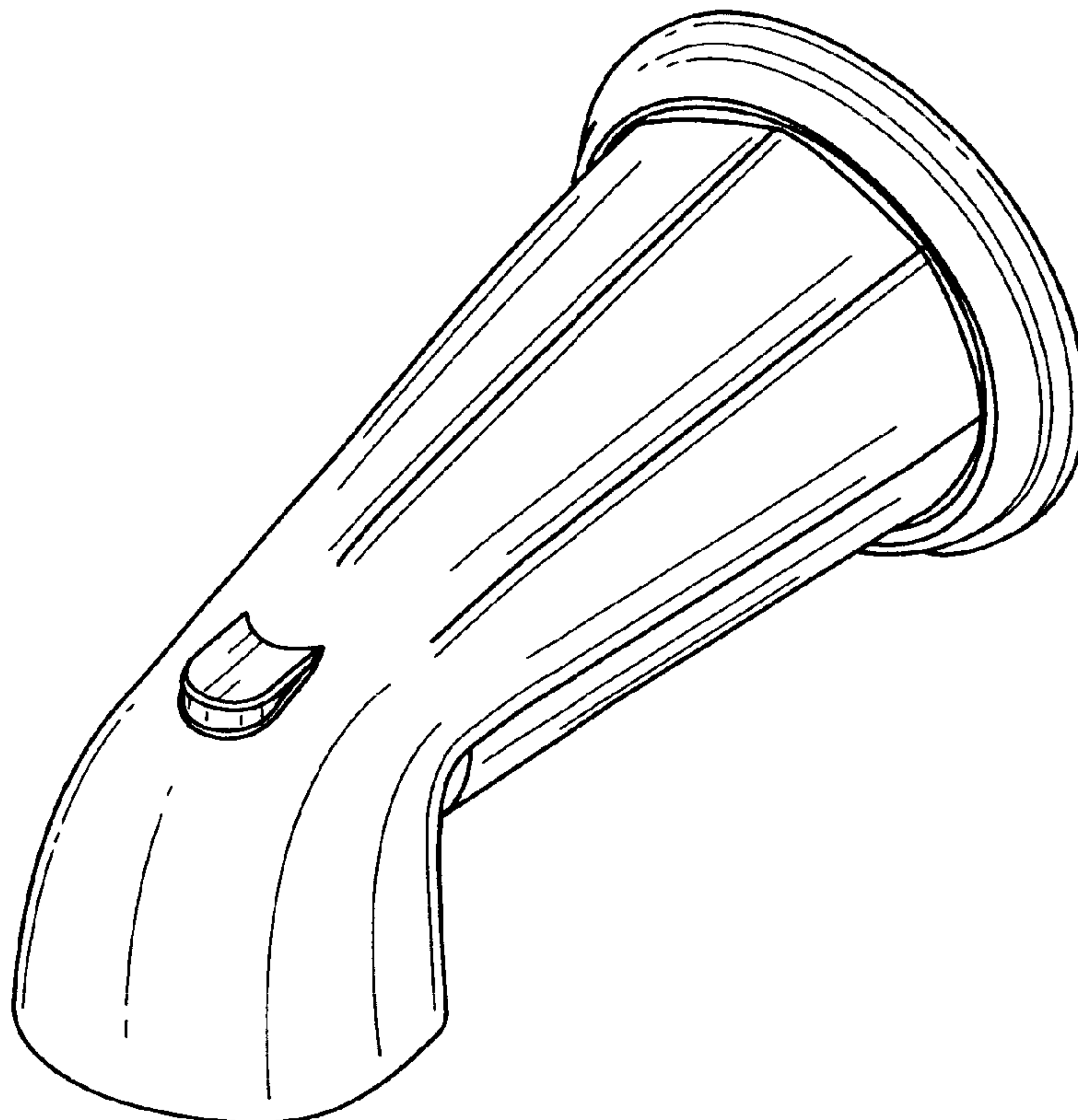
FIG. 2 is a front elevational view of the new design for a faucet handle;

FIG. 3 is a rear elevational view of the new design for a faucet handle;

FIG. 4 is a top plan view of the new design for a faucet handle; and,

FIG. 5 is a bottom plan view of the new design for a faucet handle.

**1 Claim, 5 Drawing Sheets**



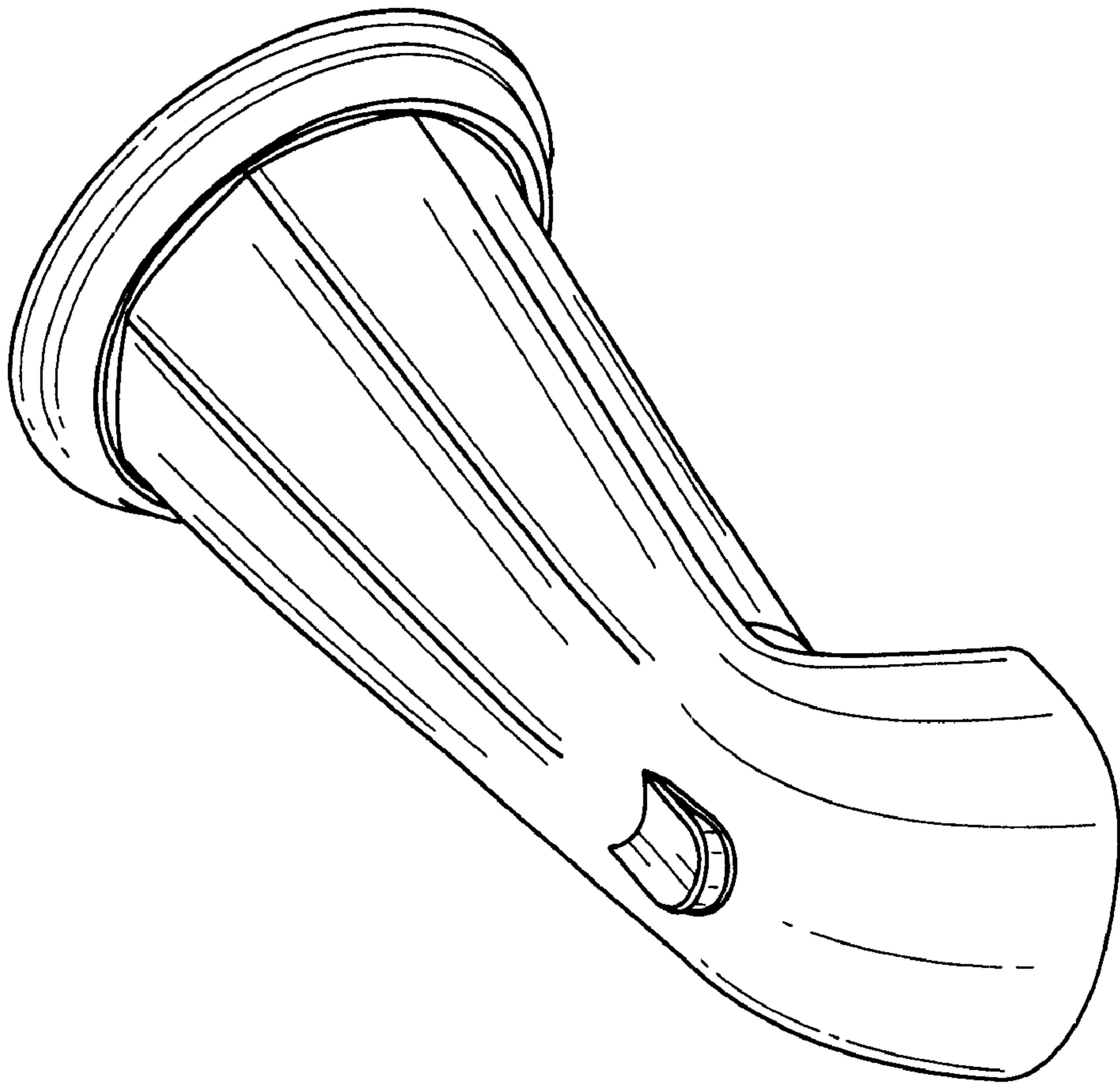


FIG. 1

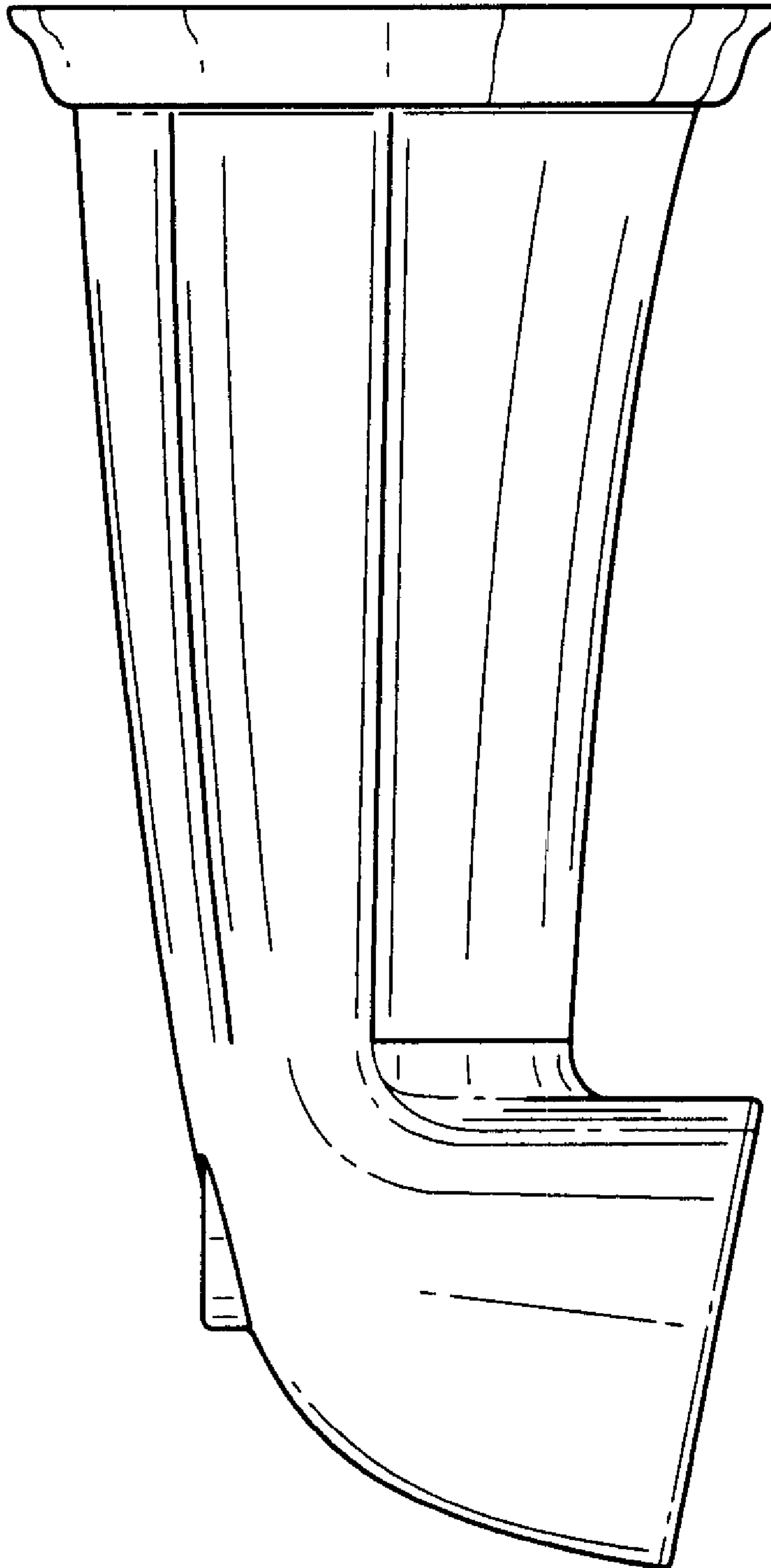


FIG. 2

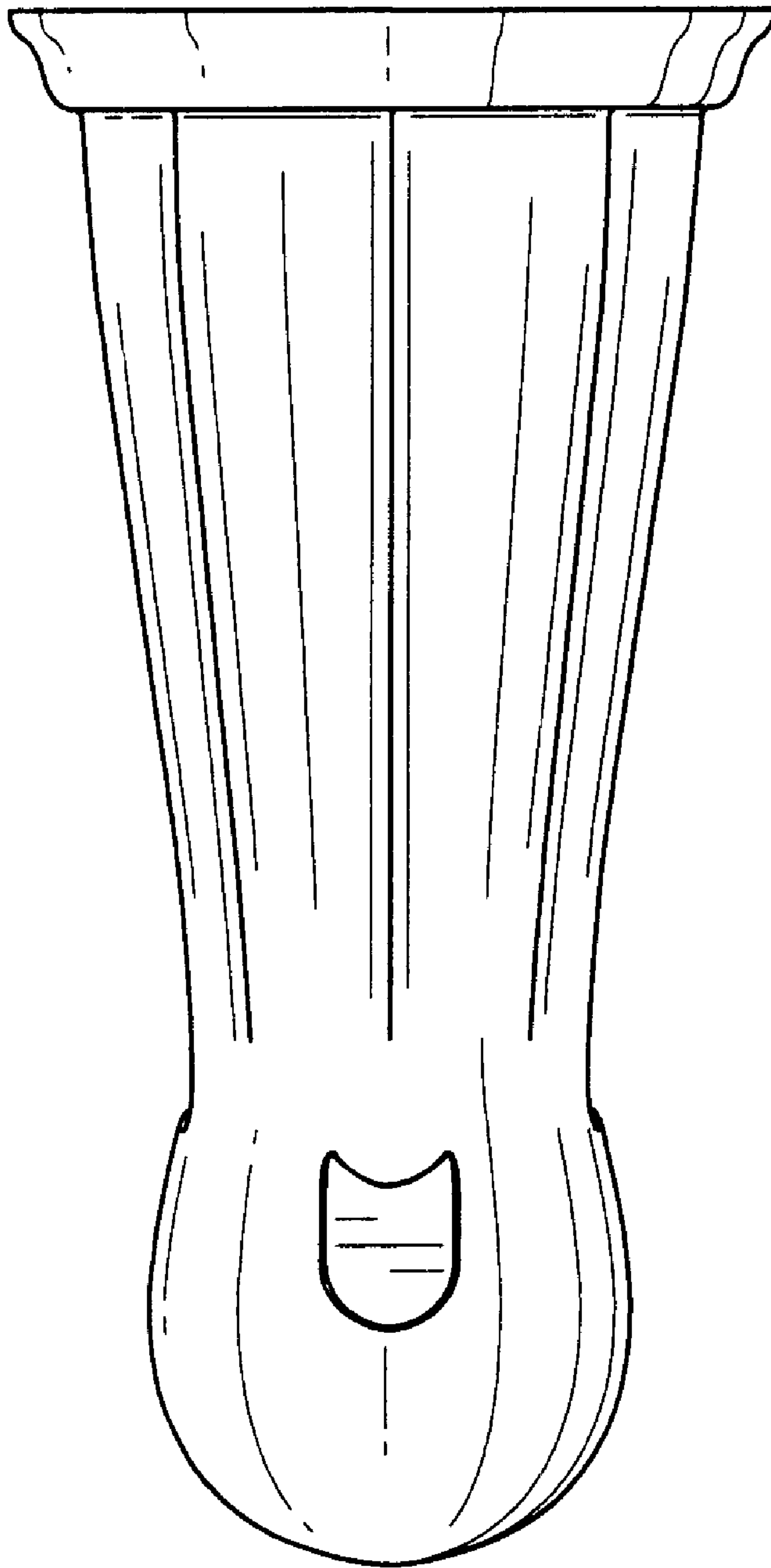


FIG. 3

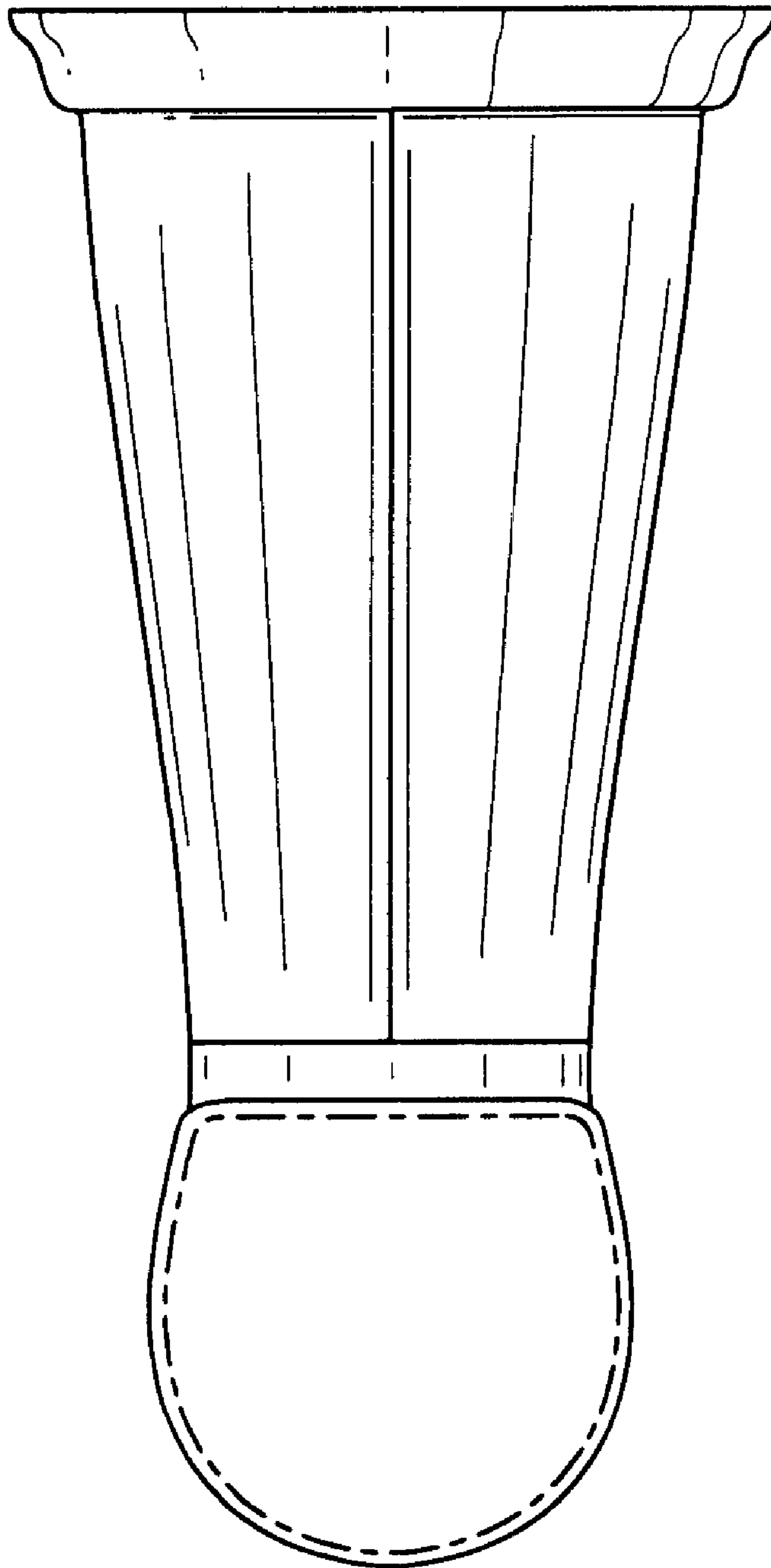


FIG. 4

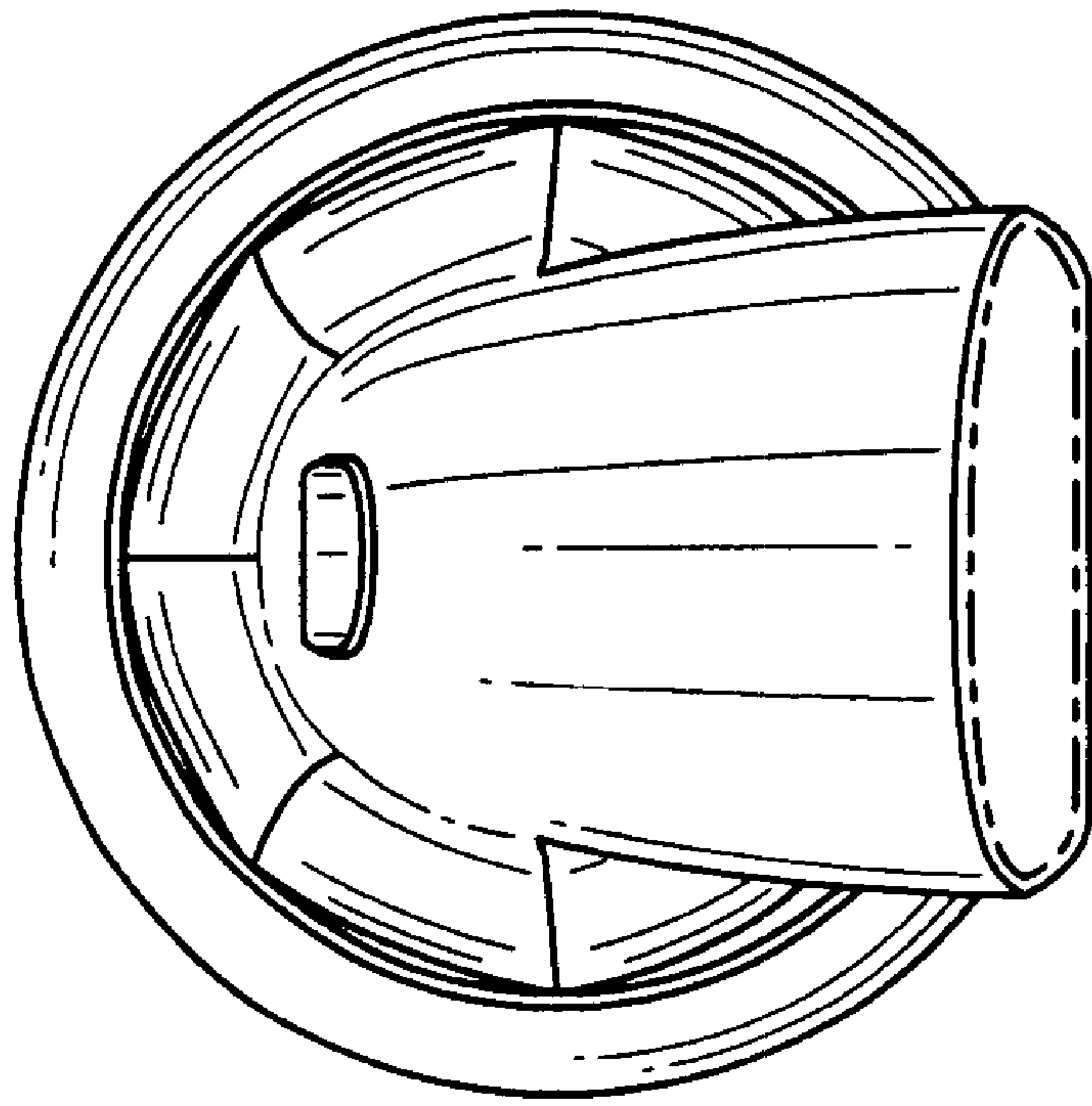


FIG. 5