



US00D465831S

(12) **United States Design Patent**
Otero et al.

(10) **Patent No.: US D465,831 S**

(45) **Date of Patent: ** *Nov. 19, 2002**

(54) **FAUCET CENTER SET**

D439,953 S * 4/2001 Lord D23/241
D448,453 S * 9/2001 Lord D23/241

(75) Inventors: **Federico G. Otero**, Carmel, IN (US);
Anthony G. Spangler, Greensburg, IN (US)

* cited by examiner

(73) Assignee: **Masco Corporation of Indiana**,
Indianapolis, IN (US)

Primary Examiner—Louis S. Zarfes

Assistant Examiner—Gregory Andoll

(*) Notice: This patent is subject to a terminal disclaimer.

(74) *Attorney, Agent, or Firm*—Myron B. Kapustij; Lloyd D. Doigan

(**) Term: **14 Years**

(57) **CLAIM**

The ornamental design for a faucet center set, as shown and described.

(21) Appl. No.: **29/152,005**

DESCRIPTION

(22) Filed: **Dec. 12, 2001**

FIG. 1 is a front perspective view of the faucet center set showing our new design;

(51) **LOC (7) Cl.** **23-01**

FIG. 2 is a rear perspective view thereof;

(52) **U.S. Cl.** **D23/242; D23/241; D23/238**

FIG. 3 is a right side elevational view thereof;

(58) **Field of Search** **D23/238-257;**

FIG. 4 is a front elevational view thereof;

4/675-678; 137/801

FIG. 5 is a top plan view thereof;

FIG. 6 is a rear elevational view thereof;

FIG. 7 is a left side elevational view thereof; and,

FIG. 8 is a bottom plan view thereof.

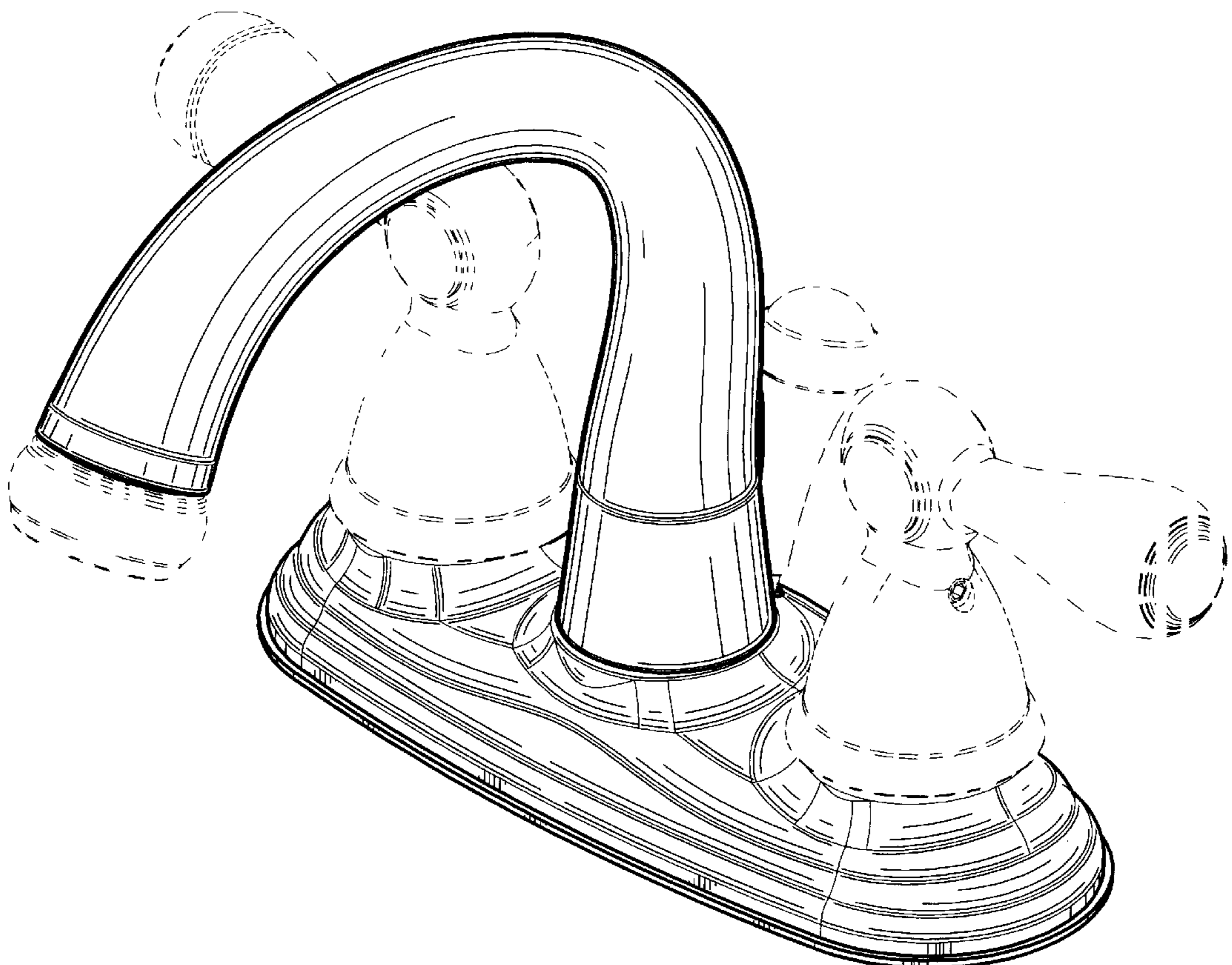
(56) **References Cited**

U.S. PATENT DOCUMENTS

- D267,110 S * 11/1982 Arnolds D23/242
- D300,653 S * 4/1989 Paul D23/255
- D356,631 S * 3/1995 Kolada D23/255
- D416,982 S * 11/1999 Warshawsky et al. D23/241

The broken line showing of the handles, lift rod and spout tip in FIG. 1 are for illustration only and form no part of the claimed design.

1 Claim, 8 Drawing Sheets



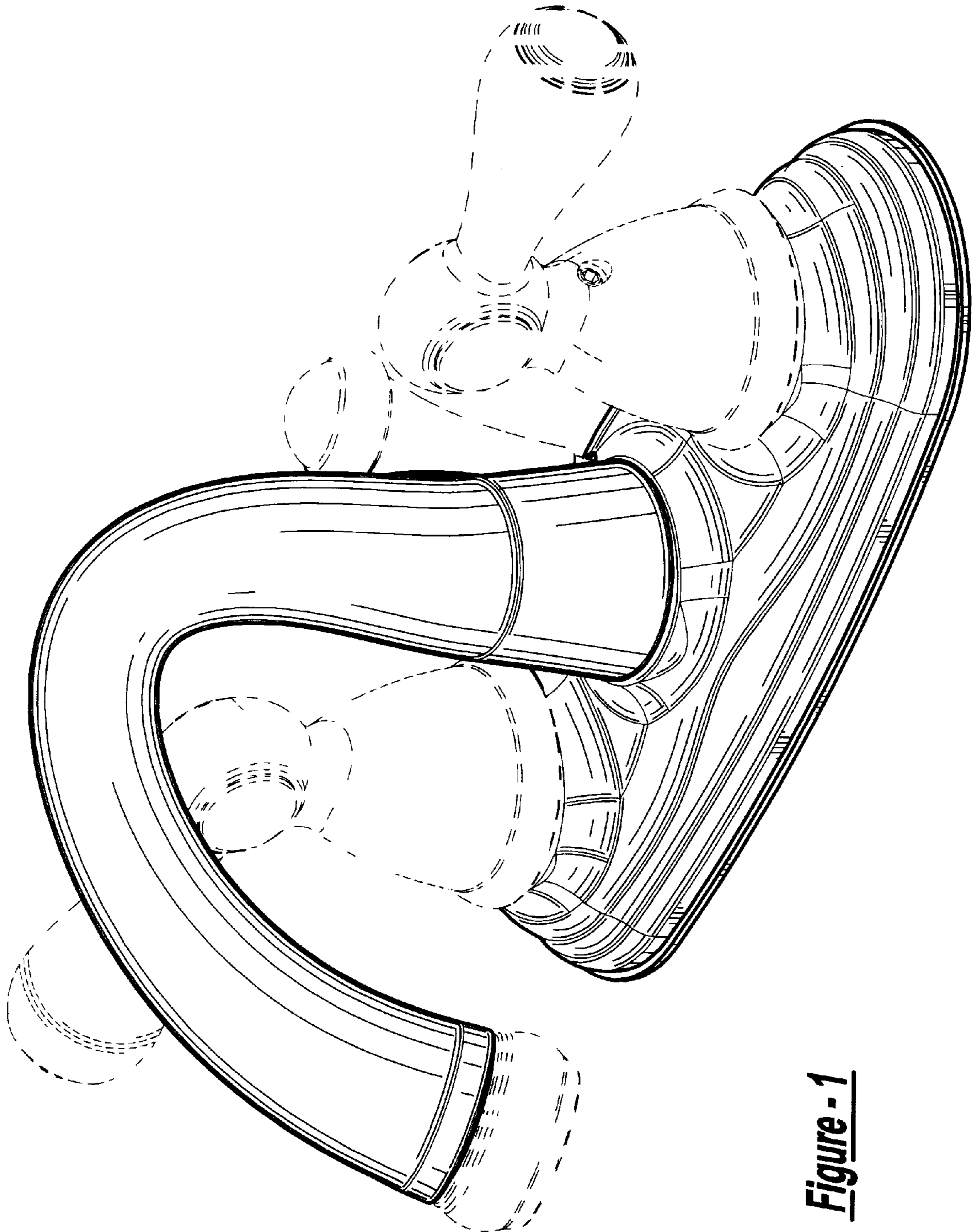
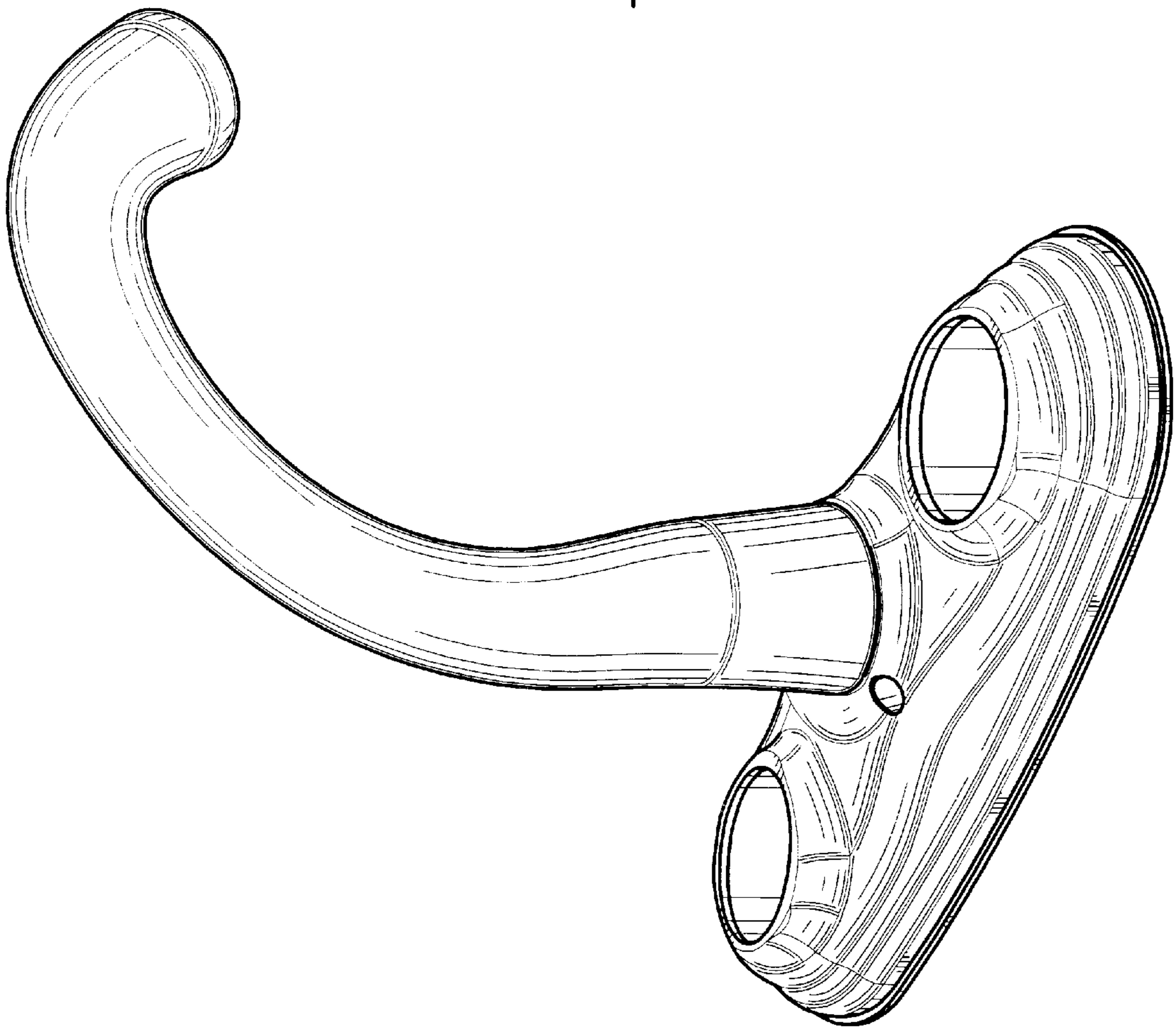


Figure - 1

Figure - 2



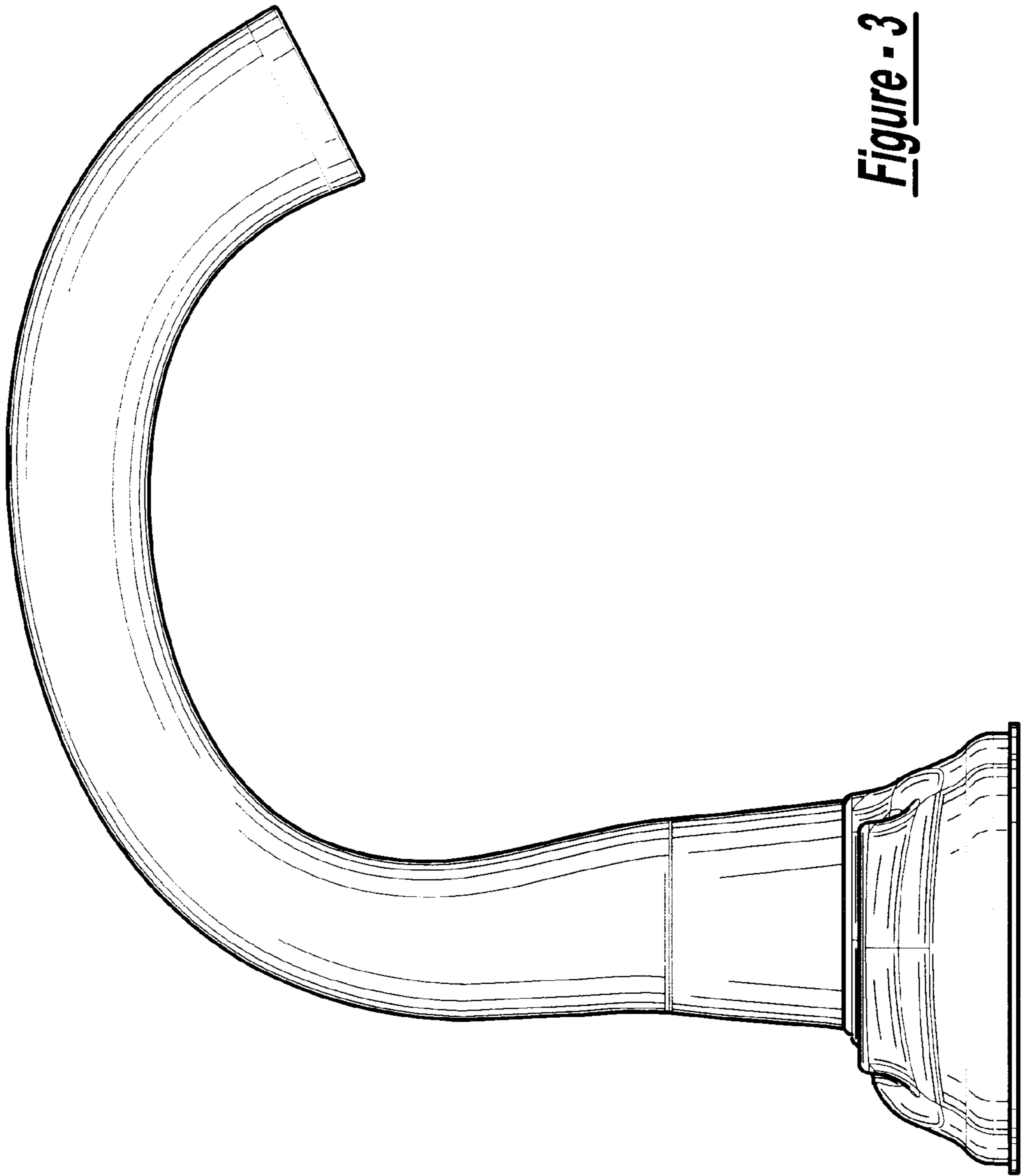
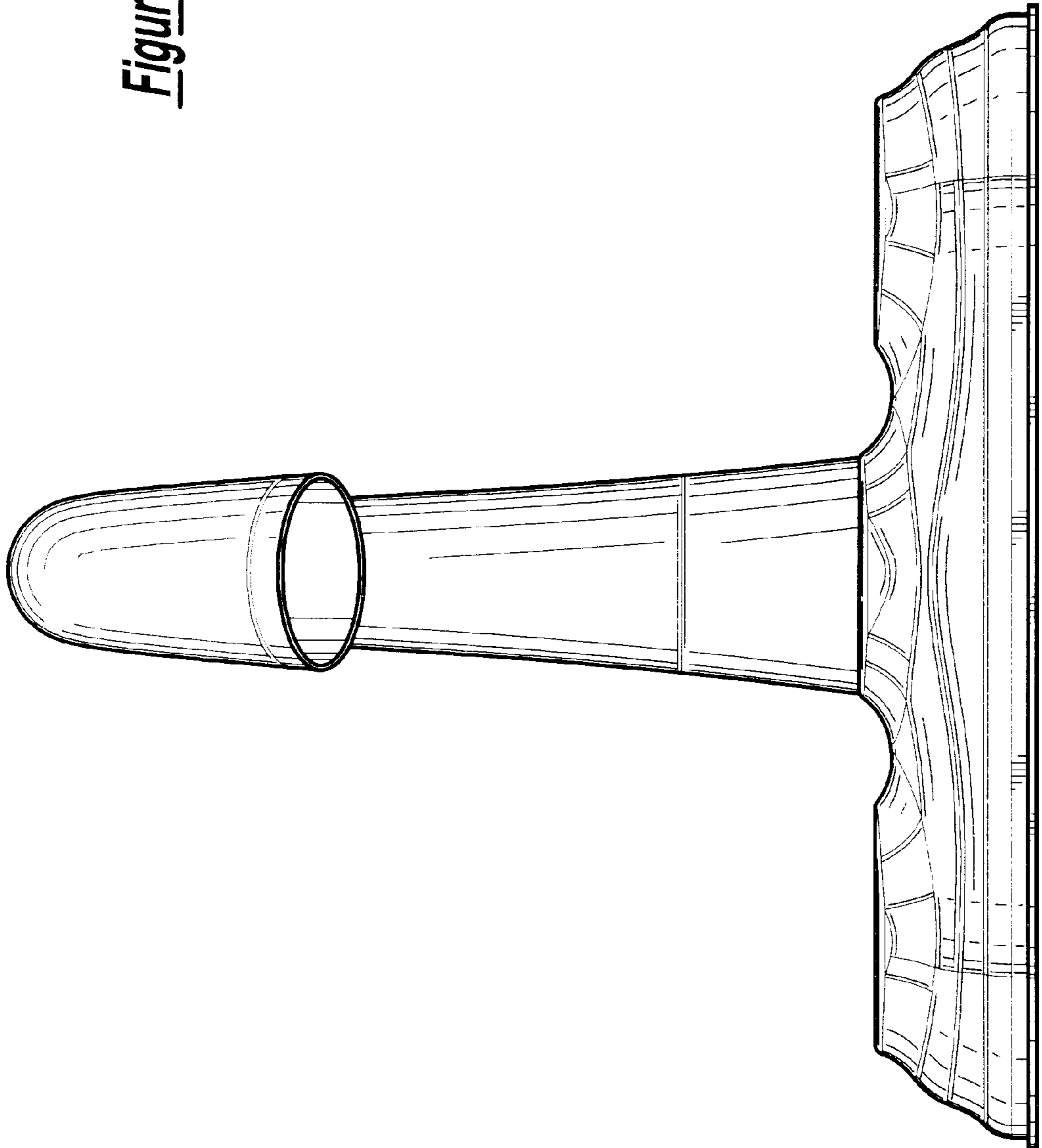


Figure - 3

Figure - 4



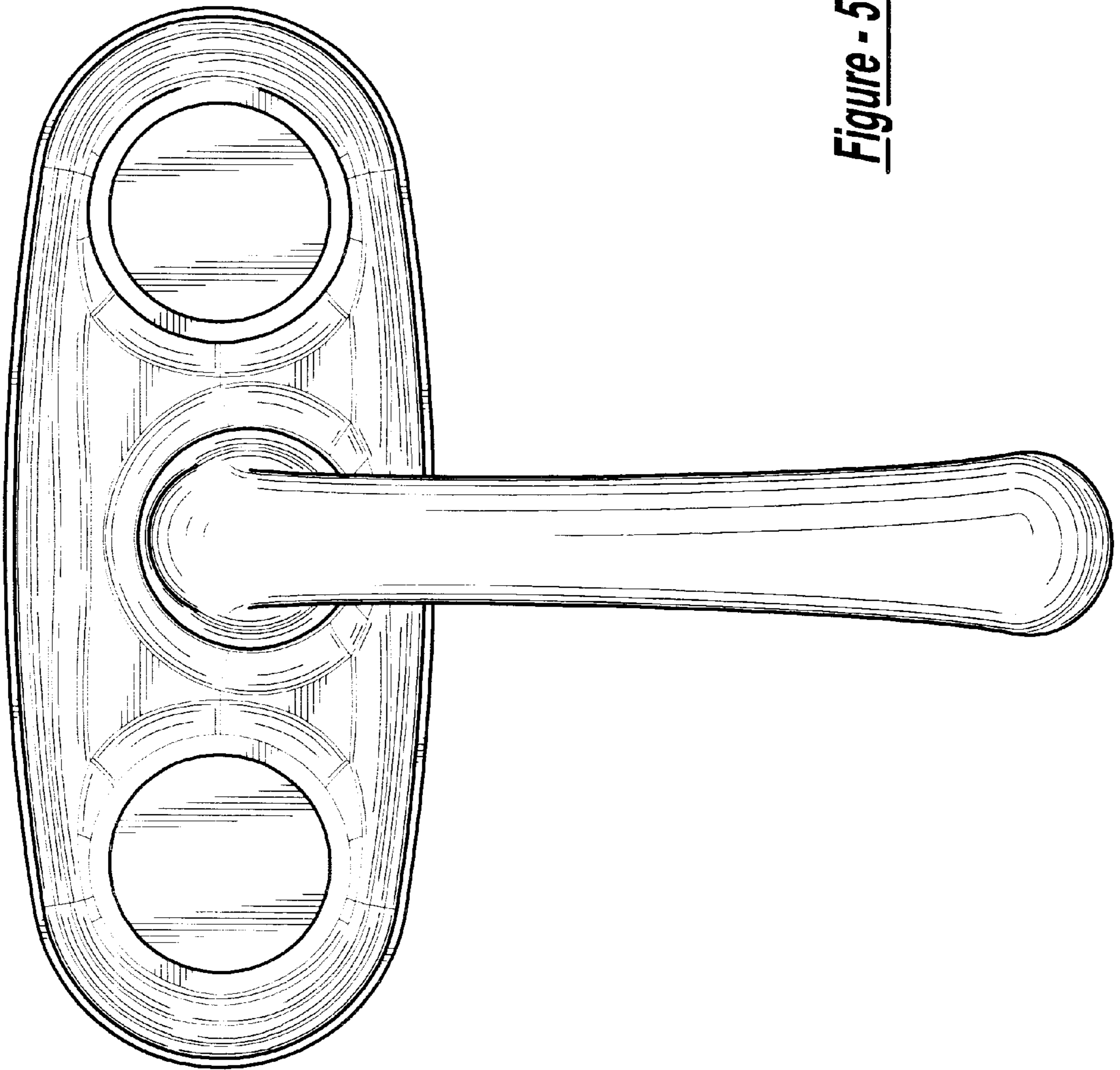


Figure - 5

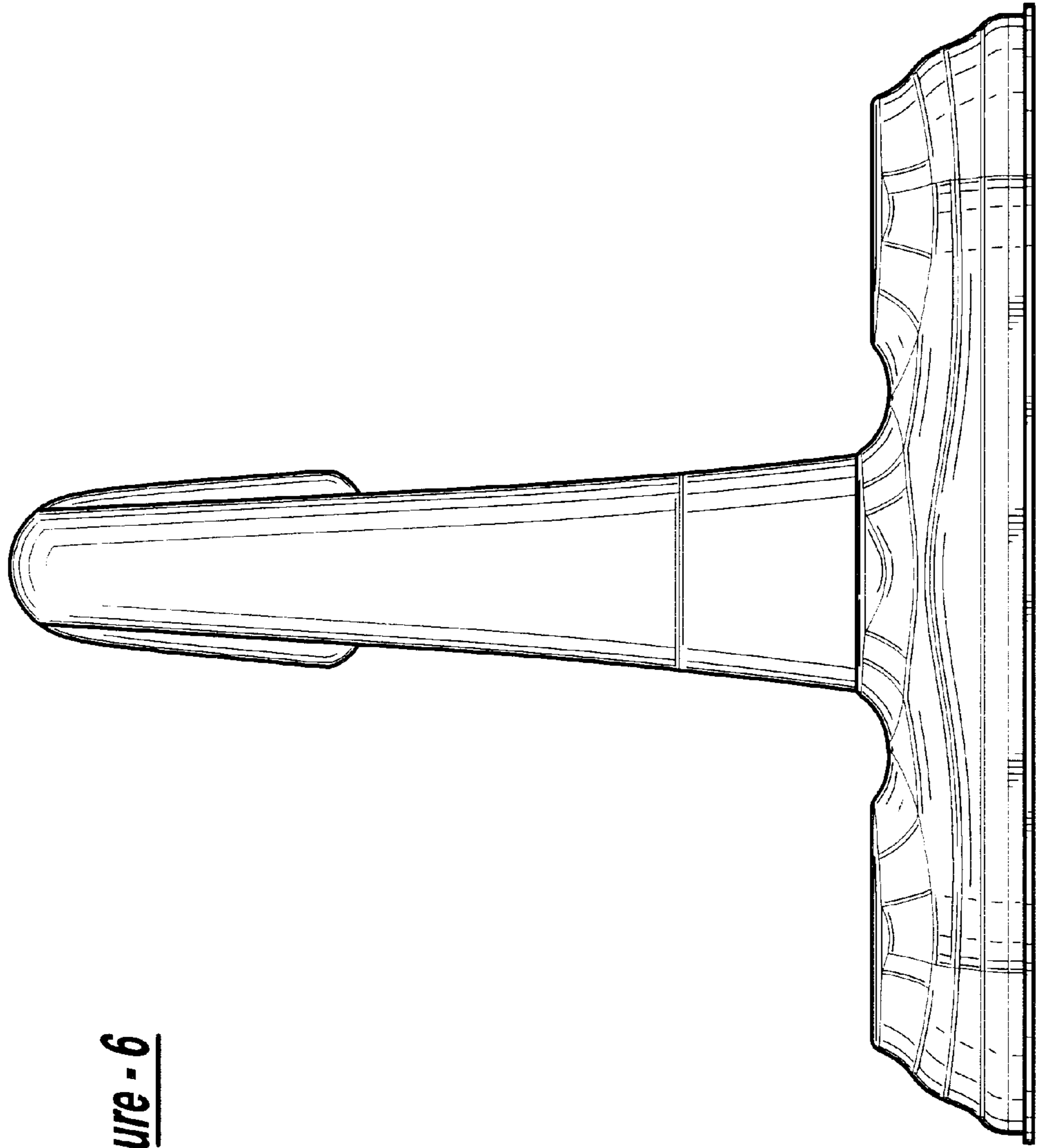


Figure - 6

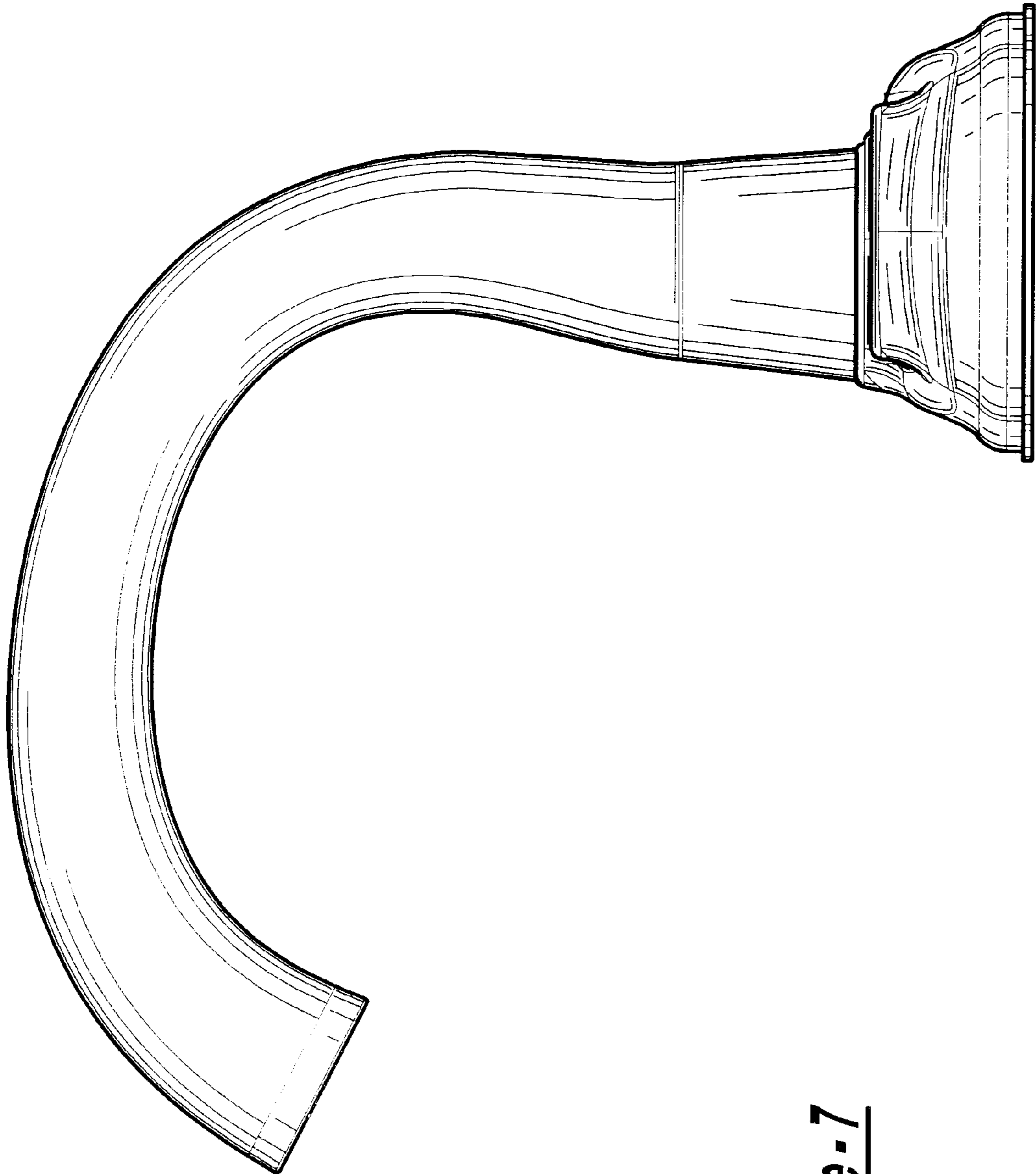


Figure - 7

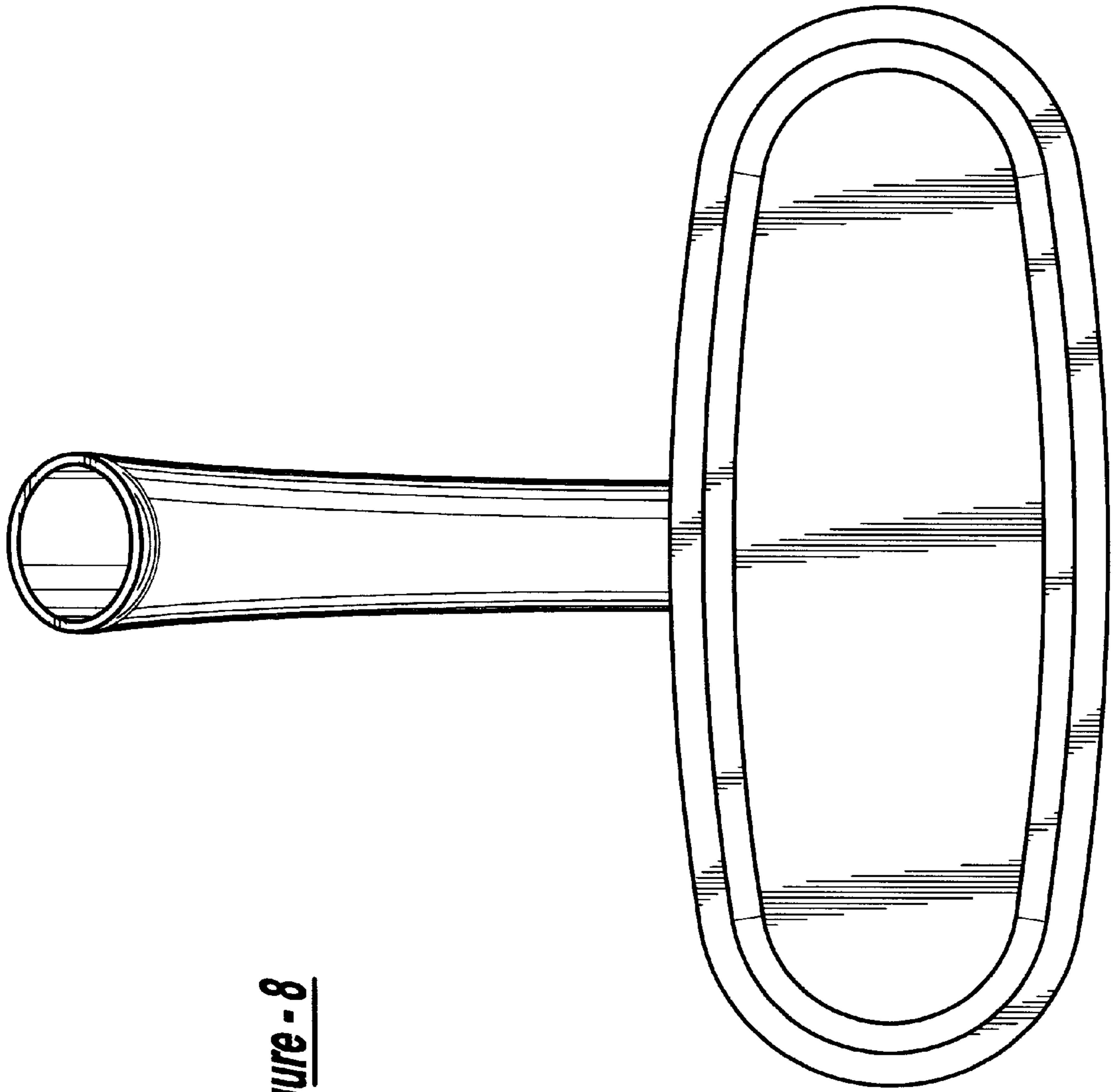


Figure - 8