



US00D465828S

(12) **United States Design Patent**
Yegyayan

(10) **Patent No.:** **US D465,828 S**

(45) **Date of Patent:** **** Nov. 19, 2002**

(54) **FAUCET**

(75) **Inventor:** **Kenar Yegyayan**, Rancho Santa Margarita, CA (US)

(73) **Assignee:** **Emhart LLC**, Newark, DE (US)

(**) **Term:** **14 Years**

(21) **Appl. No.:** **29/145,722**

(22) **Filed:** **Jul. 27, 2001**

(51) **LOC (7) Cl.** **23-01**

(52) **U.S. Cl.** **D23/238**

(58) **Field of Search** D23/238-257;
4/675-678; 137/801

(56) **References Cited**

U.S. PATENT DOCUMENTS

D300,653 S	*	4/1989	Paul	D23/255
D365,143 S		12/1995	Fabian		
D378,123 S		2/1997	Warshawsky		
D393,692 S		4/1998	Ko		
D406,880 S		3/1999	Doughty et al.		
D426,873 S	*	6/2000	Milrud et al.	D23/255
D430,648 S		9/2000	Lord		
D430,920 S		9/2000	Lord		

D431,283 S		9/2000	Chuanbao		
D434,472 S		11/2000	Lord		
D439,953 S		4/2001	Lord		
D440,282 S	*	4/2001	Lord	D23/241

* cited by examiner

Primary Examiner—Louis S. Zarfes

Assistant Examiner—Gregory Andoll

(74) *Attorney, Agent, or Firm*—Richard J. Veltman; John D. Del Ponti

(57) **CLAIM**

The ornamental design for a faucet, as shown and described.

DESCRIPTION

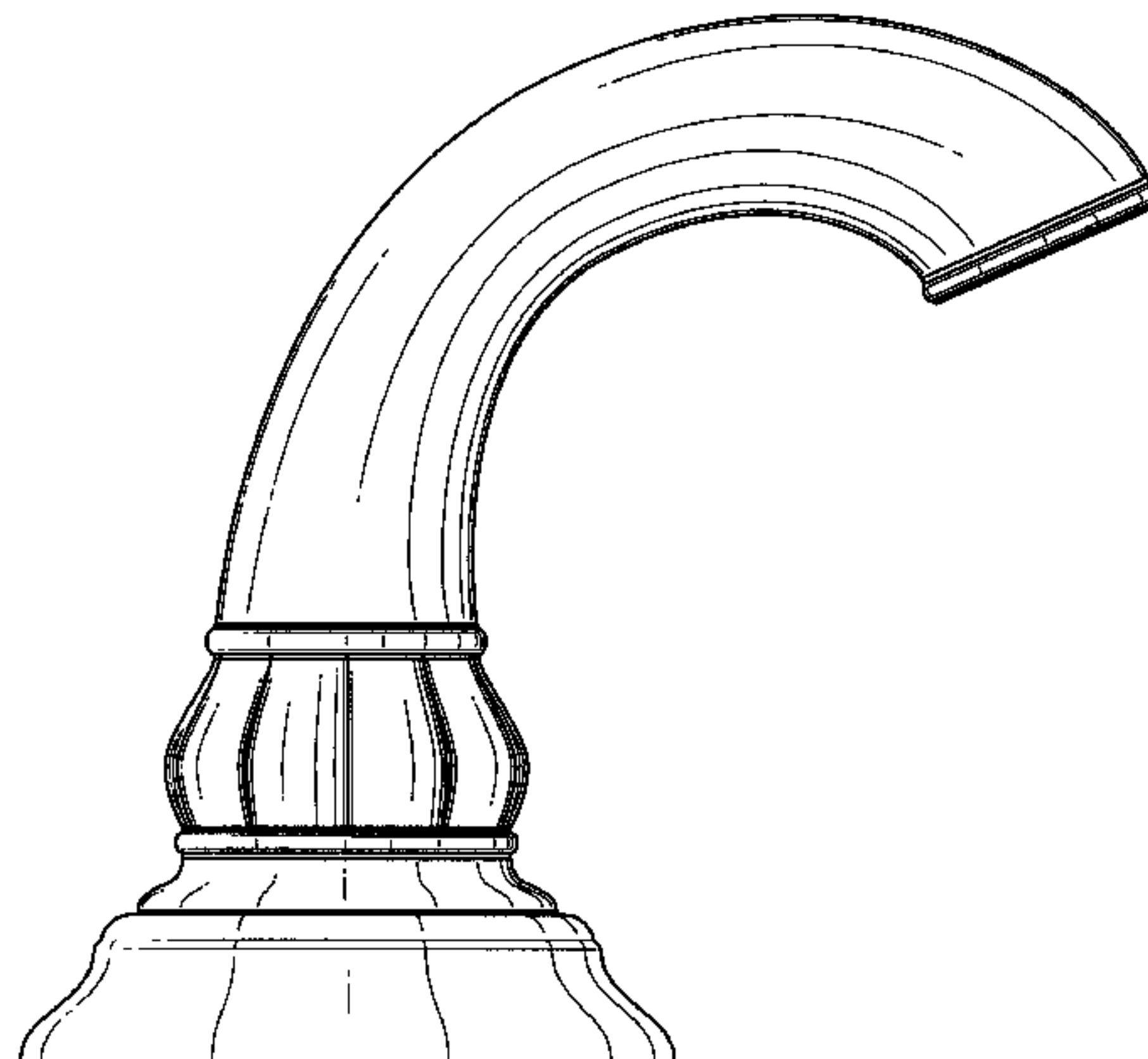
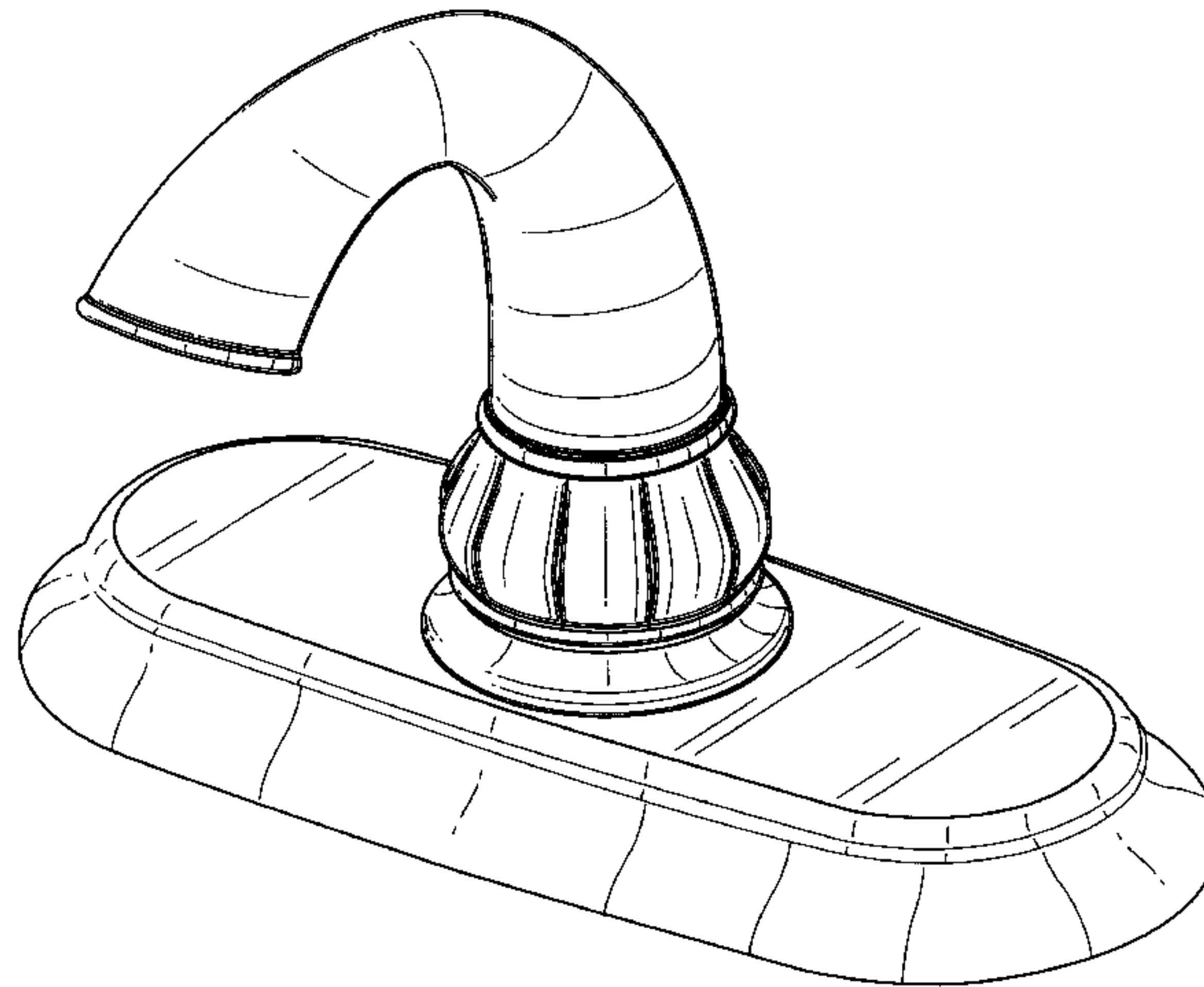
FIG. 1 is a perspective view of the new design for a faucet; FIG. 2 is a front elevational view of the new design for a faucet;

FIG. 3 is a rear elevational view of the new design for a faucet;

FIG. 4 is a right side elevational view of the new design for a faucet, the left side elevational view being a mirror image;

FIG. 5 is a top plan view of the new design for a faucet; and, FIG. 6 is a bottom plan view of the new design for a faucet.

1 Claim, 6 Drawing Sheets



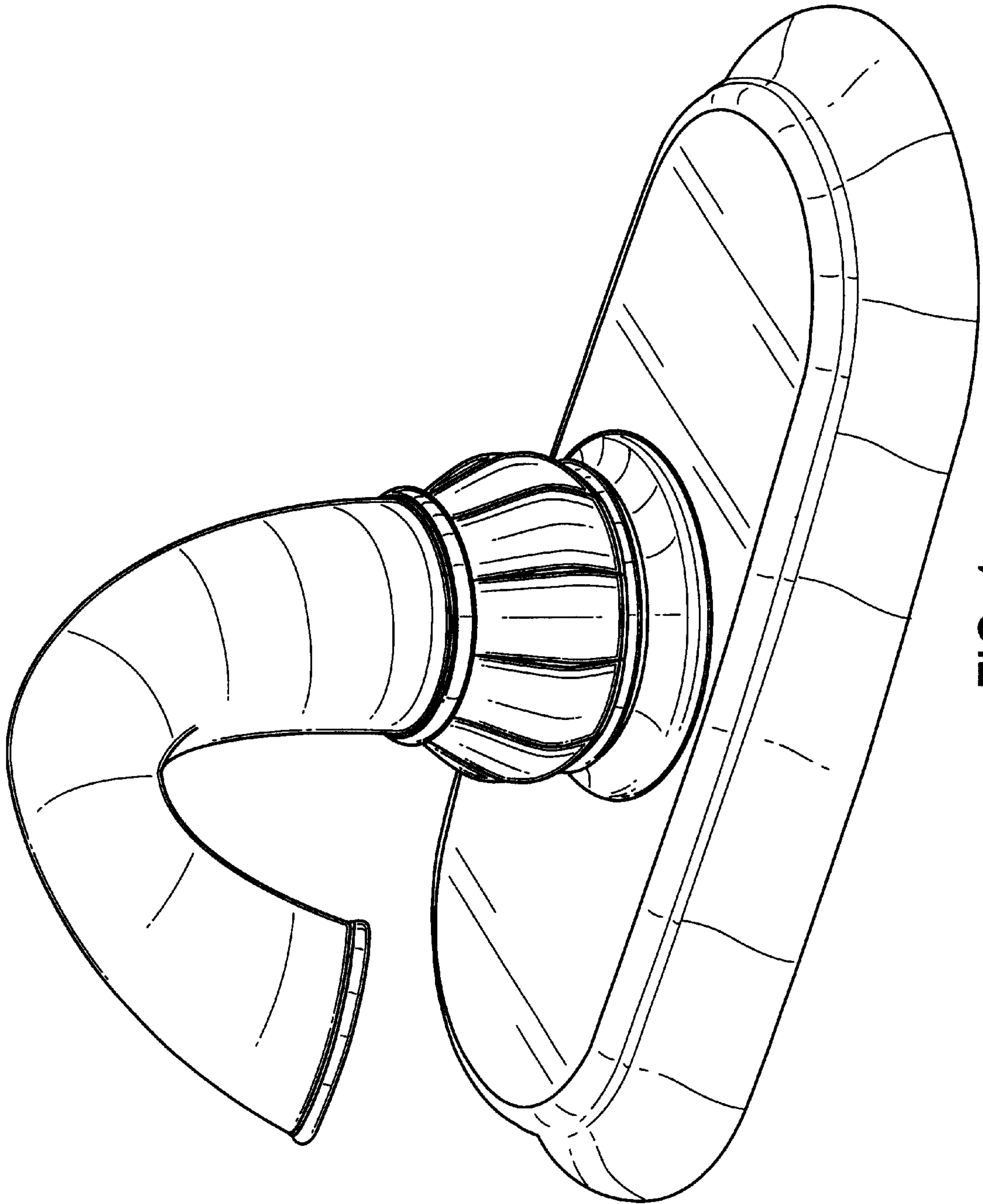


FIG. 1

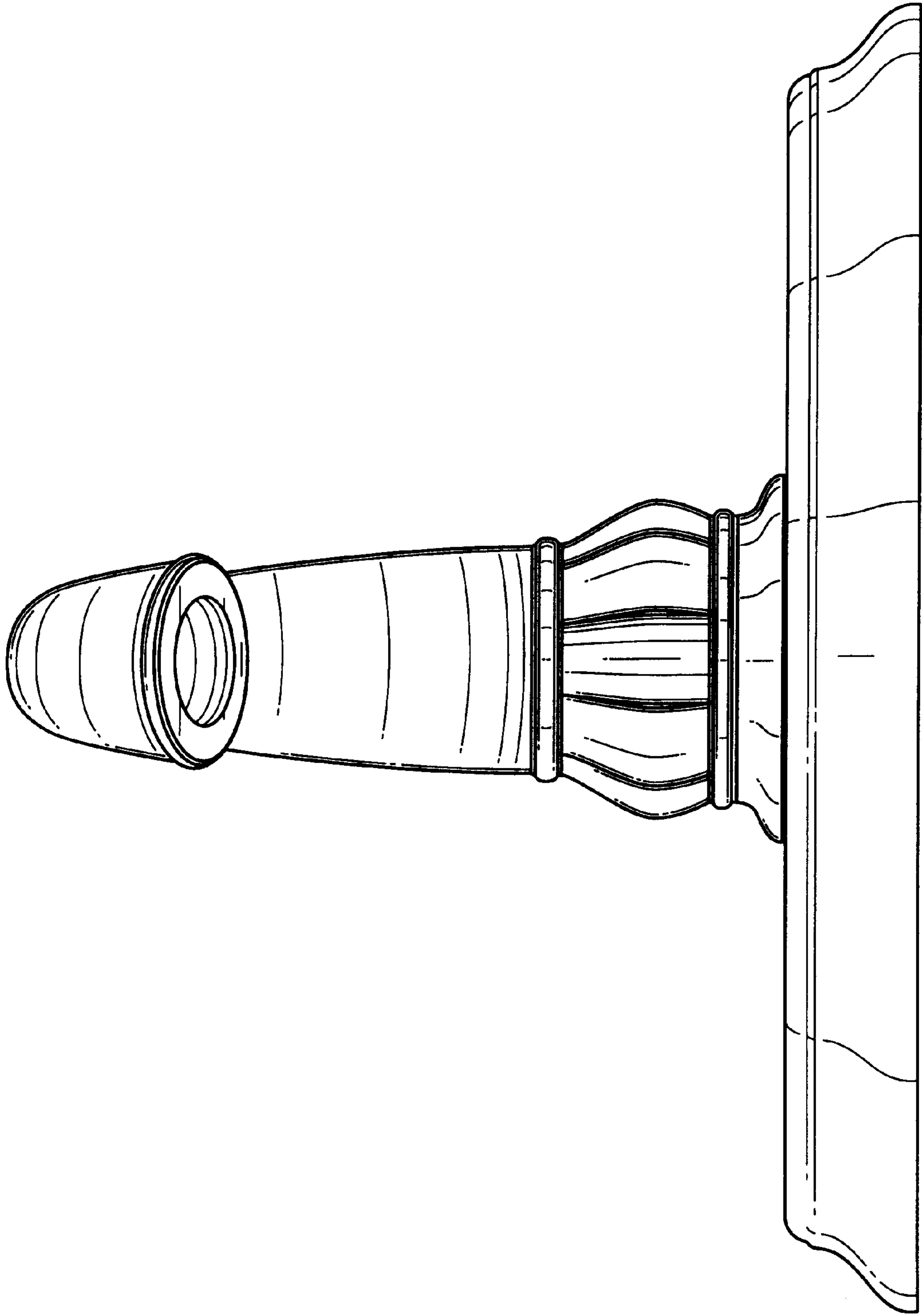


FIG. 2

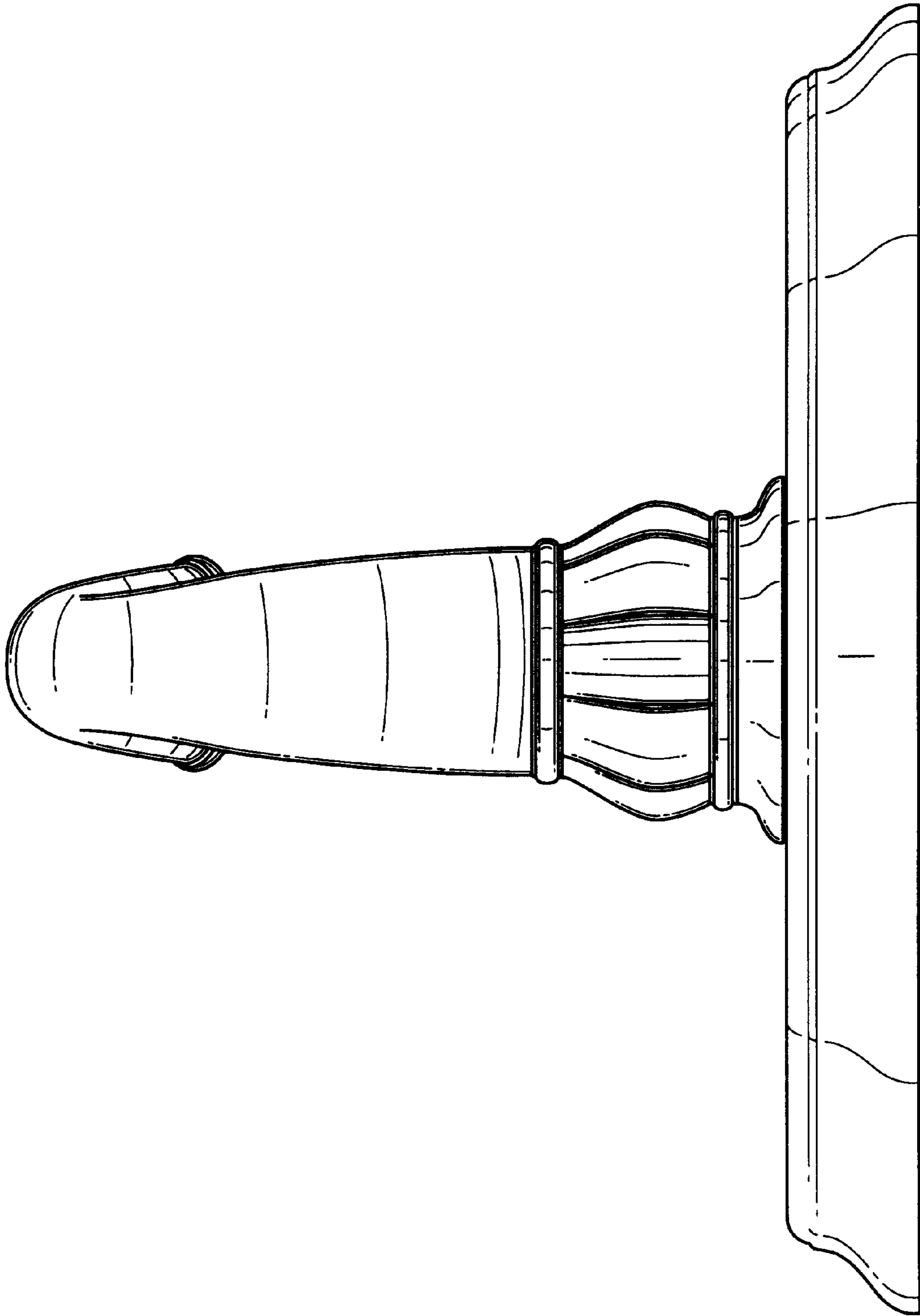


FIG. 3

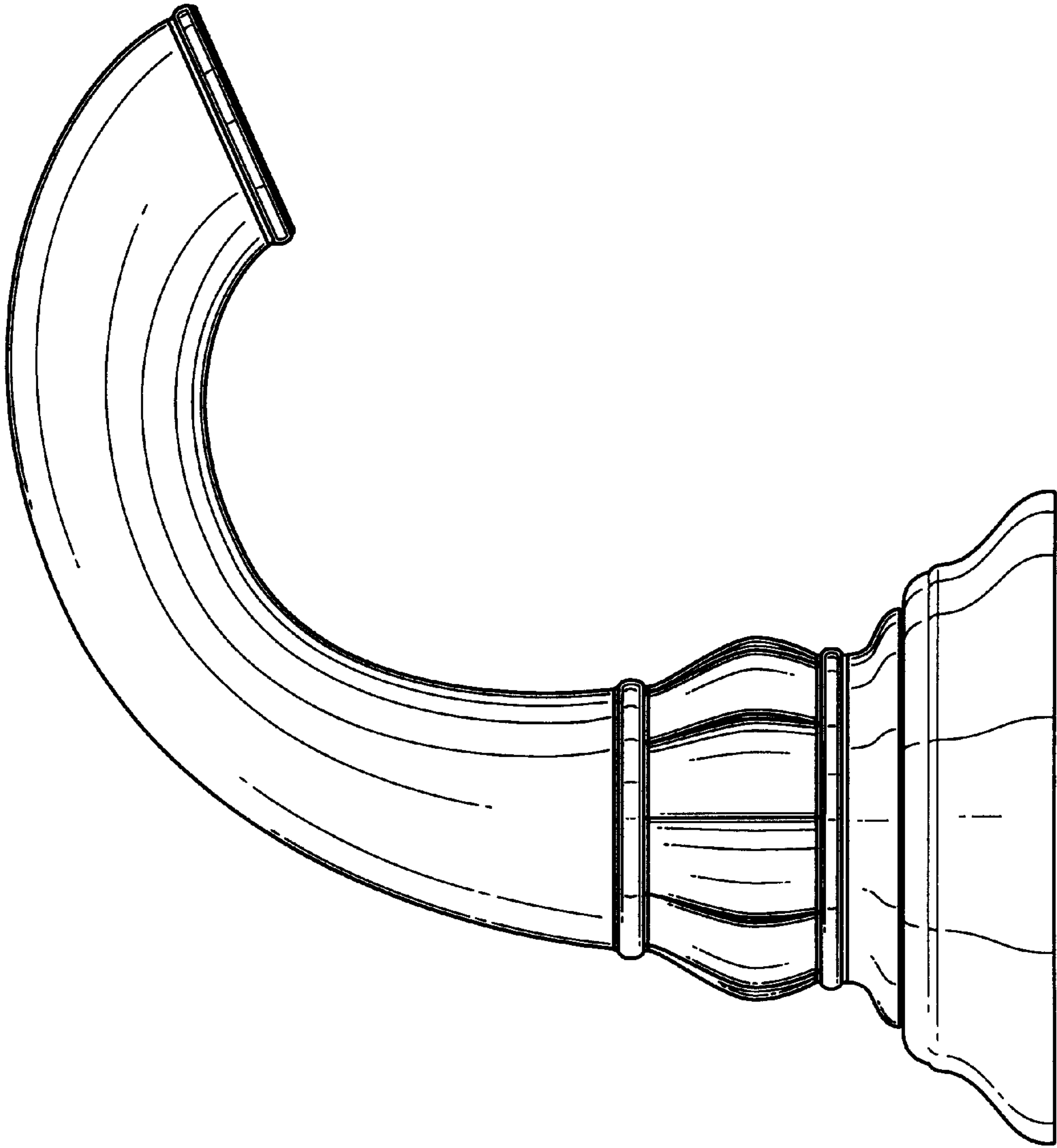


FIG. 4

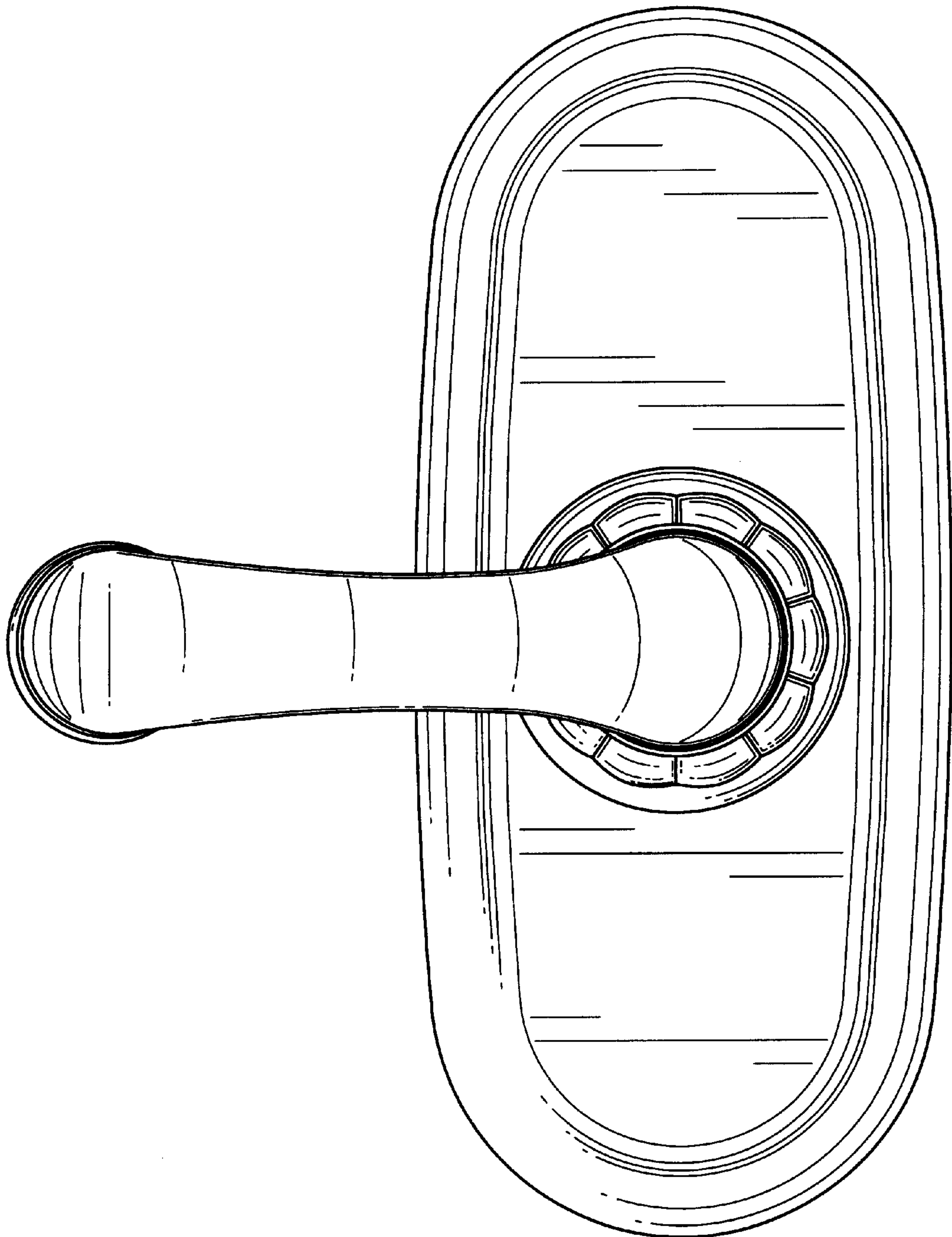


FIG. 5

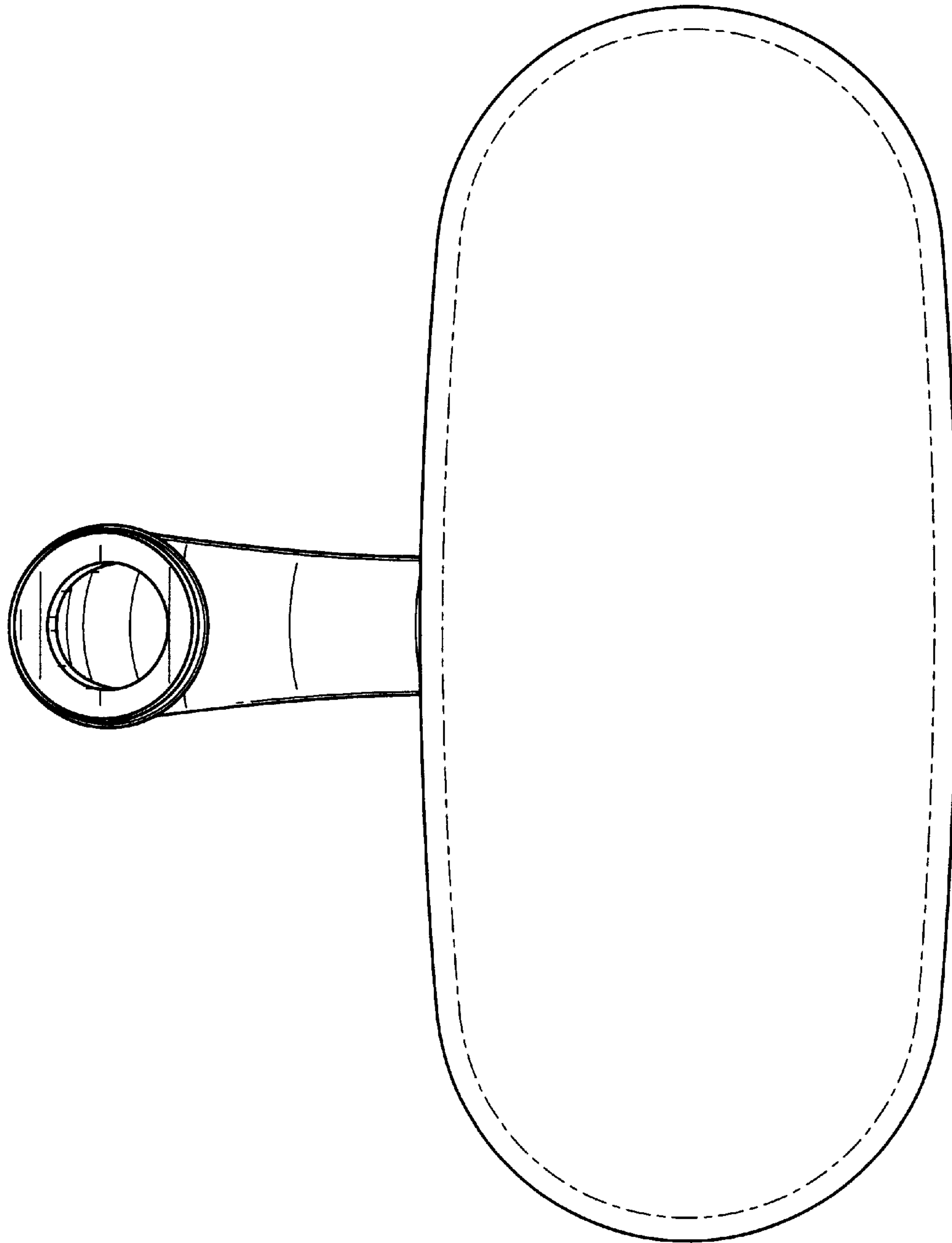


FIG. 6