



US00D465826S

(12) **United States Design Patent**
Alkalay et al.

(10) **Patent No.:** **US D465,826 S**

(45) **Date of Patent:** **** Nov. 19, 2002**

(54) **OSCILLATING IRRIGATOR**

(74) *Attorney, Agent, or Firm*—Baker Botts L.L.P.

(75) Inventors: **Uri Alkalay**, Even Yehuda (IL);
Constantin Presman, Raanana (IL)

(57) **CLAIM**

The ornamental design for an oscillating irrigator, as shown and described.

(73) Assignee: **Lego Irrigation Ltd.**, Natanya (IL)

(**) Term: **14 Years**

DESCRIPTION

(21) Appl. No.: **29/148,077**

FIG. 1 is a front perspective view of the present design of an oscillating irrigator;

(22) Filed: **Sep. 14, 2001**

FIG. 2 is a rear perspective view of the present design of an oscillating irrigator;

(30) **Foreign Application Priority Data**

Mar. 15, 2001 (IL) 34859

FIG. 3 is a top view of the present design of an oscillating irrigator;

(51) **LOC (7) Cl.** **23-01**

(52) **U.S. Cl.** **D23/216**

(58) **Field of Search** D23/213, 214–215;
239/240–242

FIG. 4 is a bottom view of the present design of an oscillating irrigator;

(56) **References Cited**

U.S. PATENT DOCUMENTS

D205,581 S	*	8/1966	Rinkewich	D23/216
5,350,115 A	*	9/1994	Burnworth	239/242
D351,214 S	*	10/1994	Clivio	D23/216
D403,744 S	*	1/1999	Hsueh	D23/216
D418,576 S	*	1/2000	Heren et al.	D23/216

FIG. 5 is a left side elevation view of the present design of an oscillating irrigator;

FIG. 6 is a right side elevation view of the present design of an oscillating irrigator;

FIG. 7 is a front elevation plan view of the present design of an oscillating irrigator; and,

OTHER PUBLICATIONS

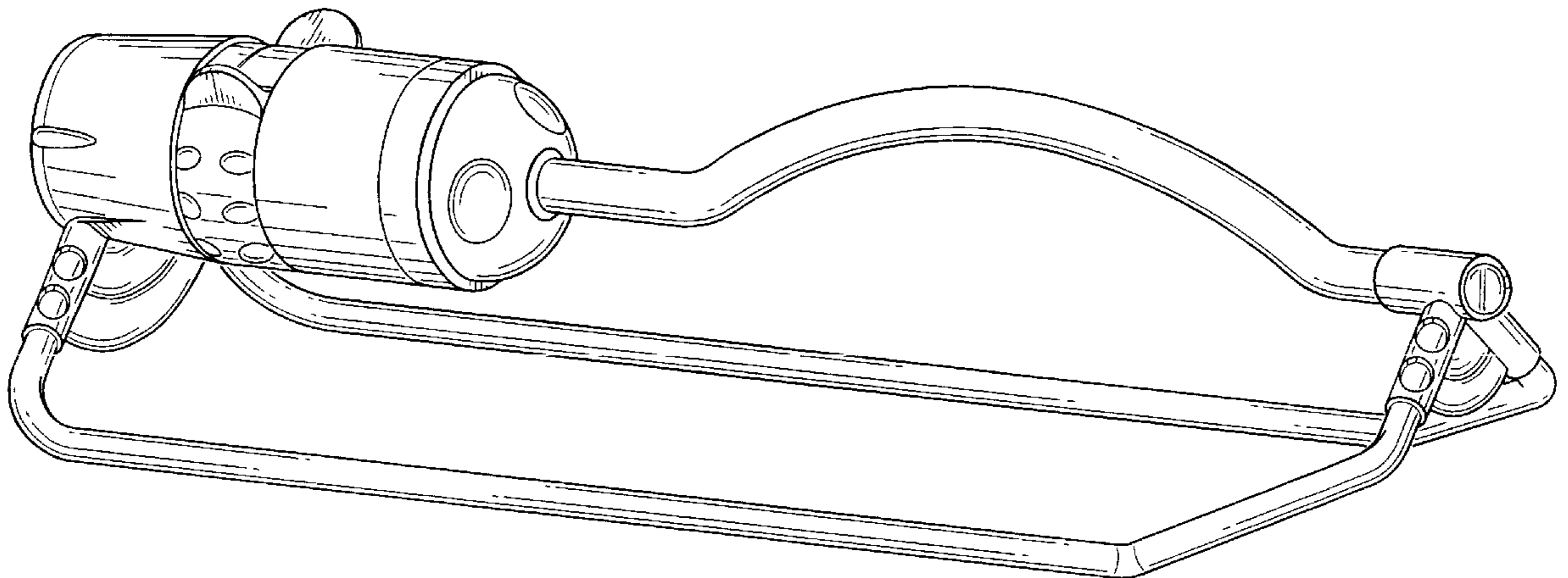
Nelson catalog 1995; NO55A sprinkler p. 15.*

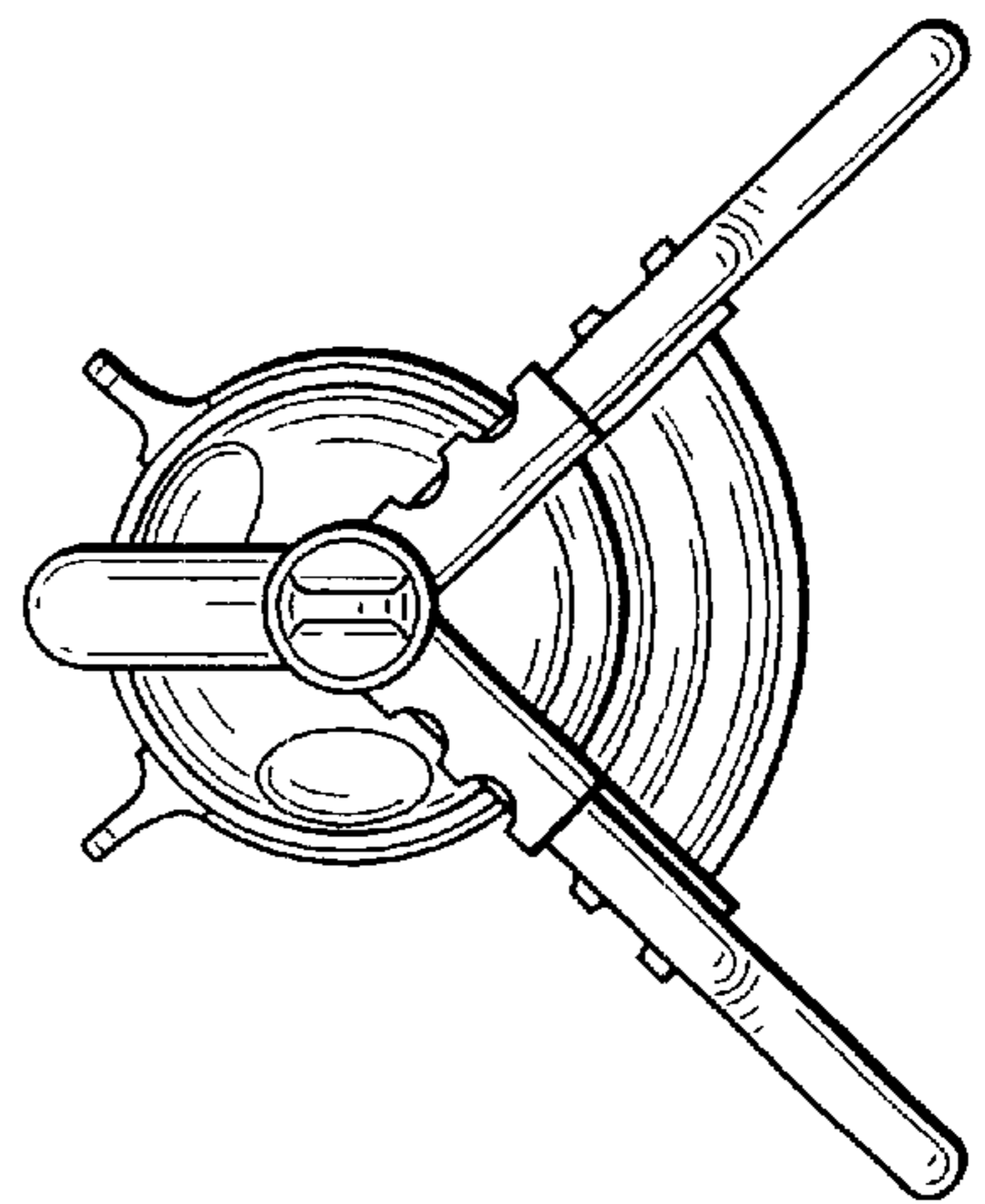
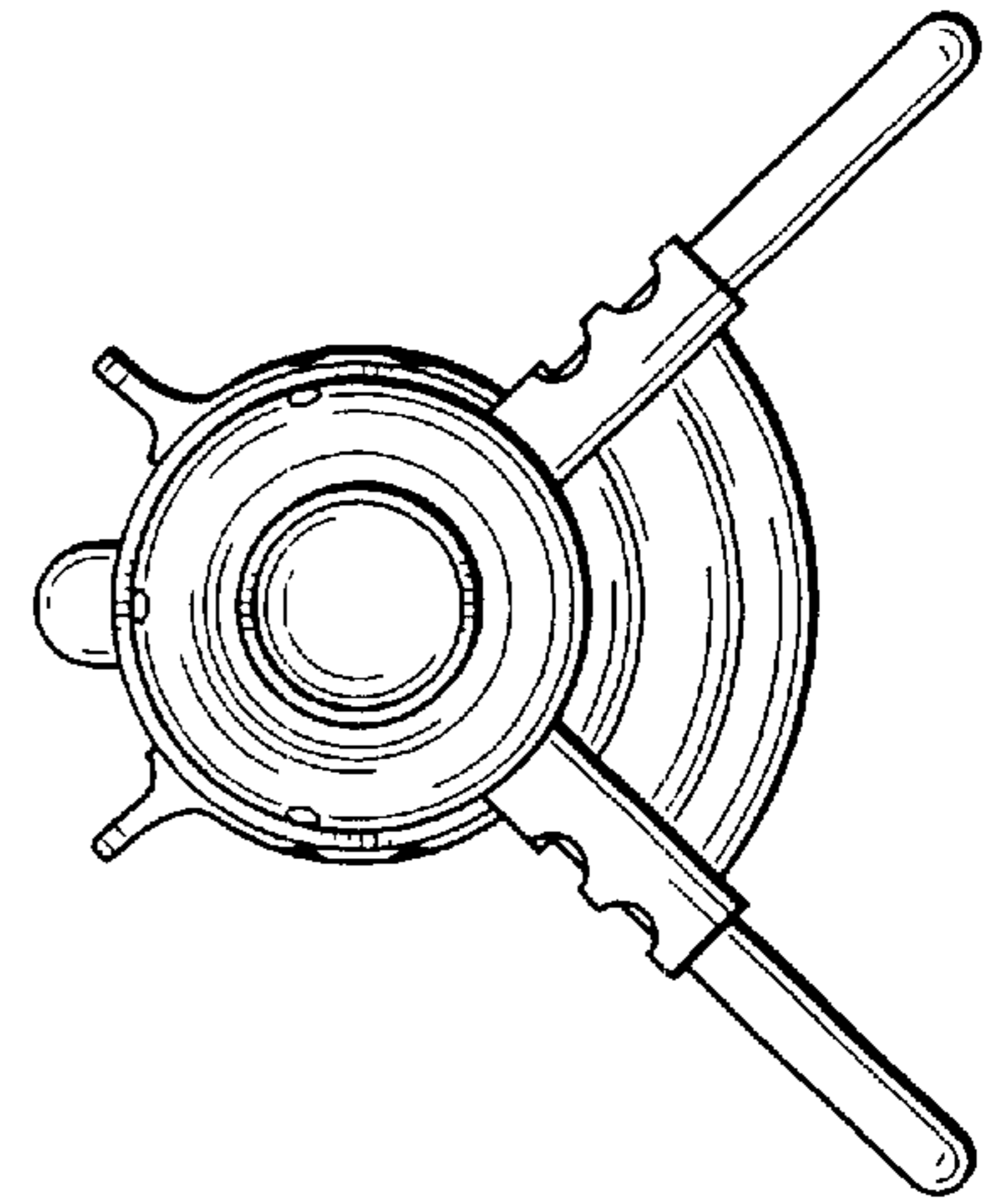
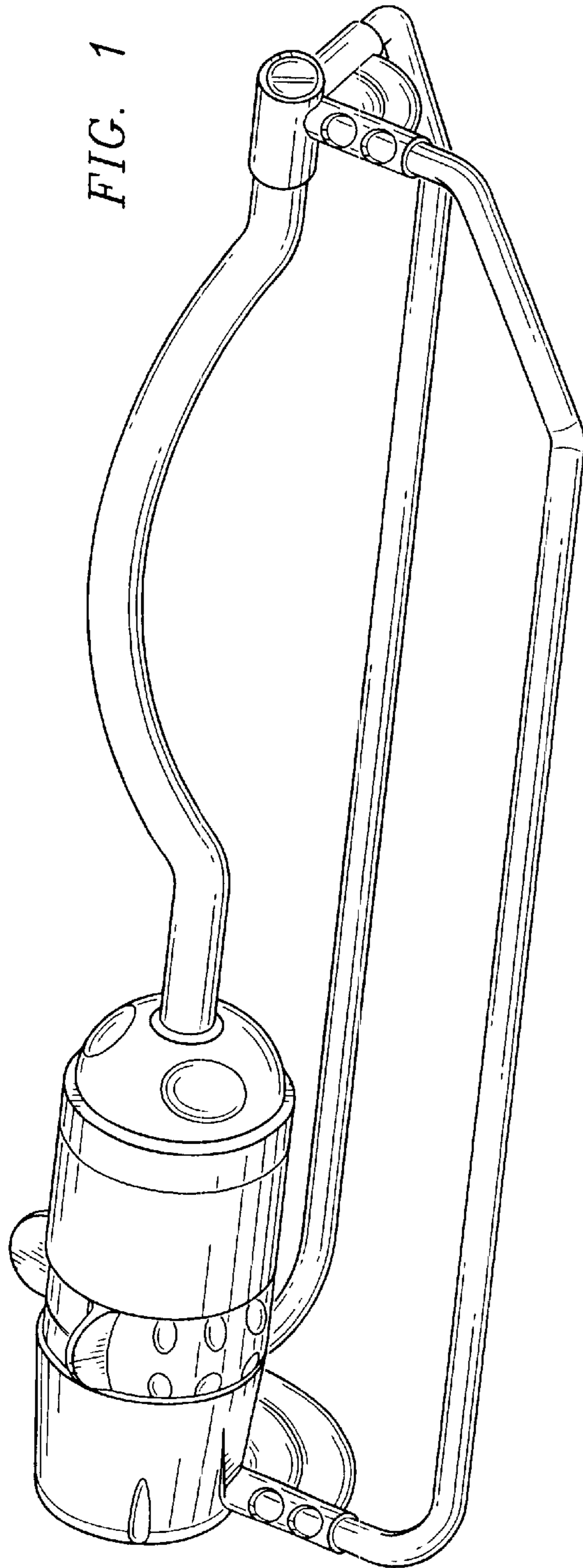
FIG. 8 is a rear elevation plan view of the present design of an oscillating irrigator.

* cited by examiner

Primary Examiner—Robin V. Taylor

1 Claim, 4 Drawing Sheets





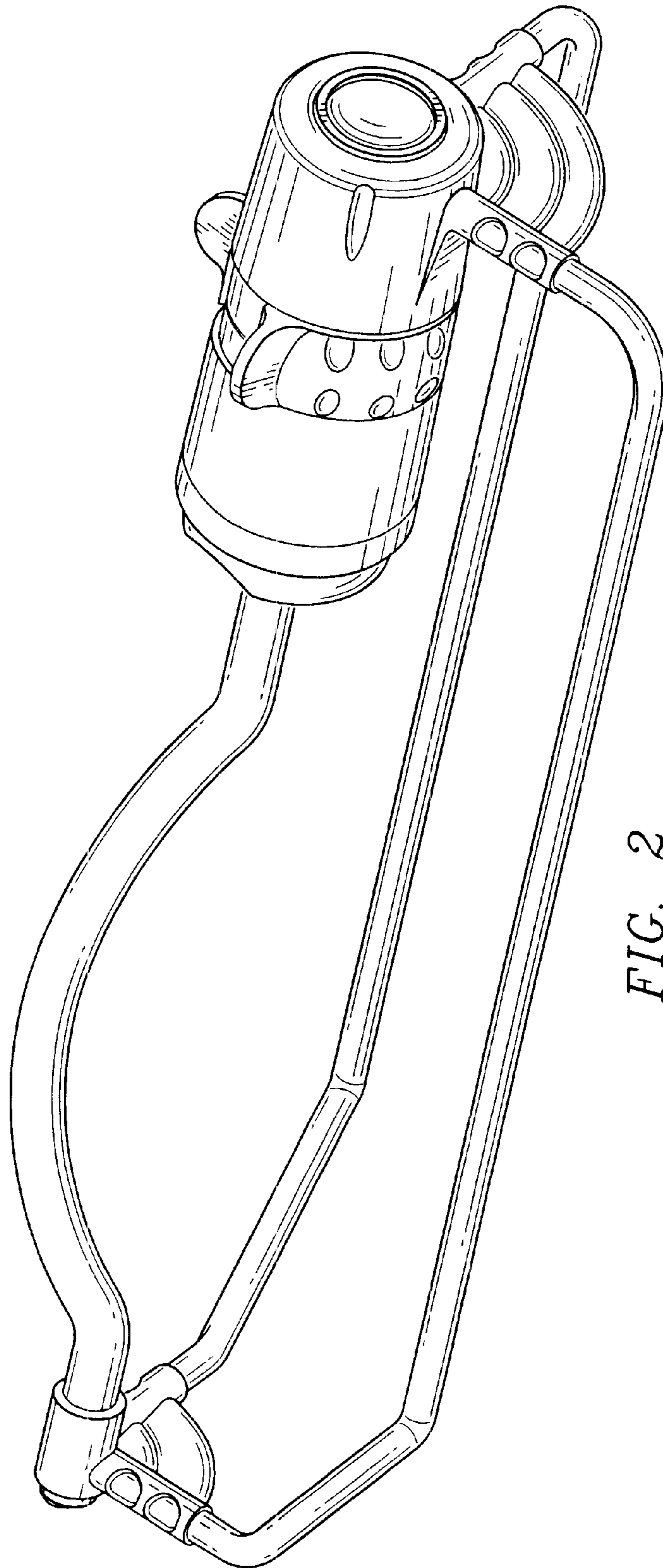


FIG. 2

FIG. 3

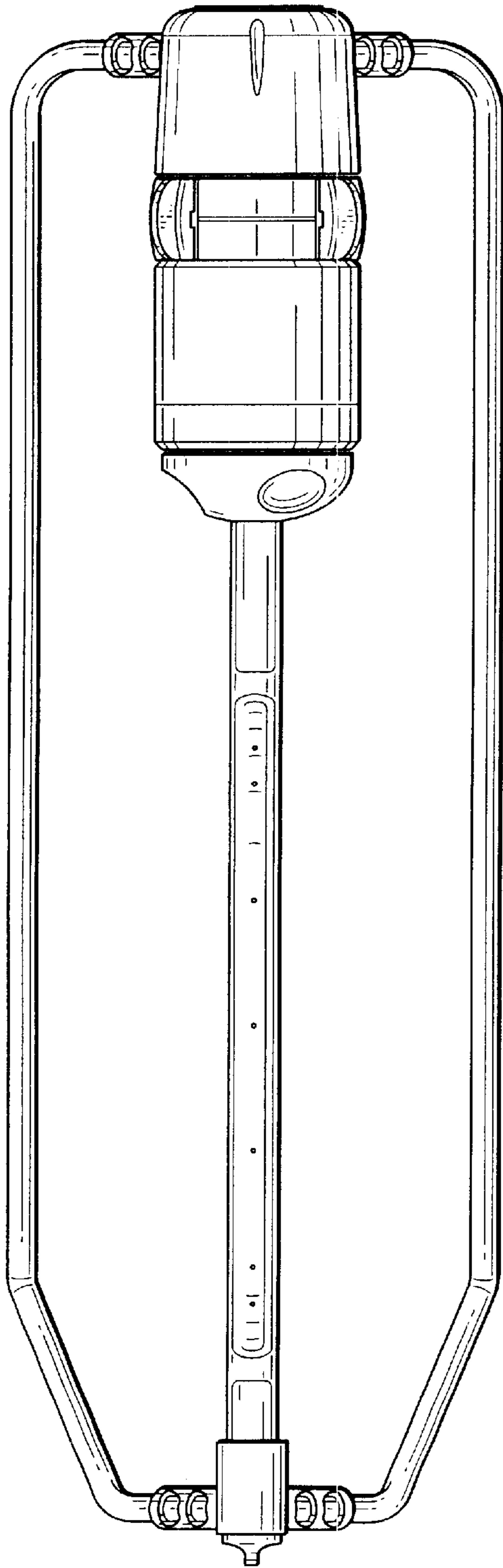
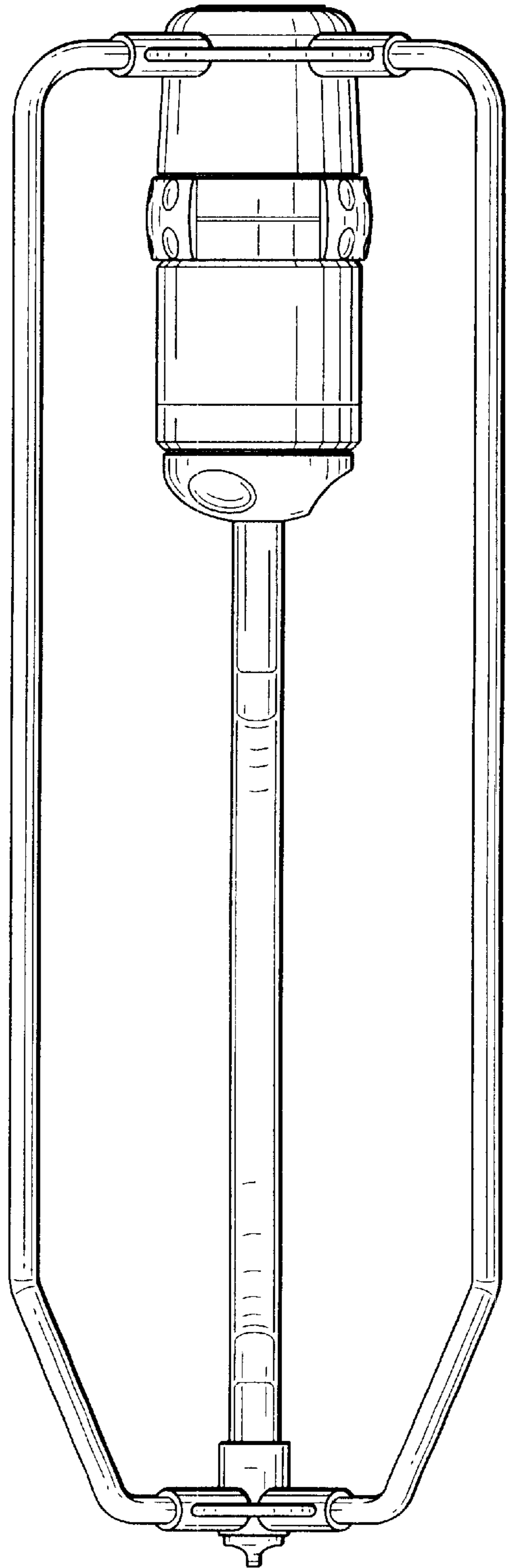


FIG. 4



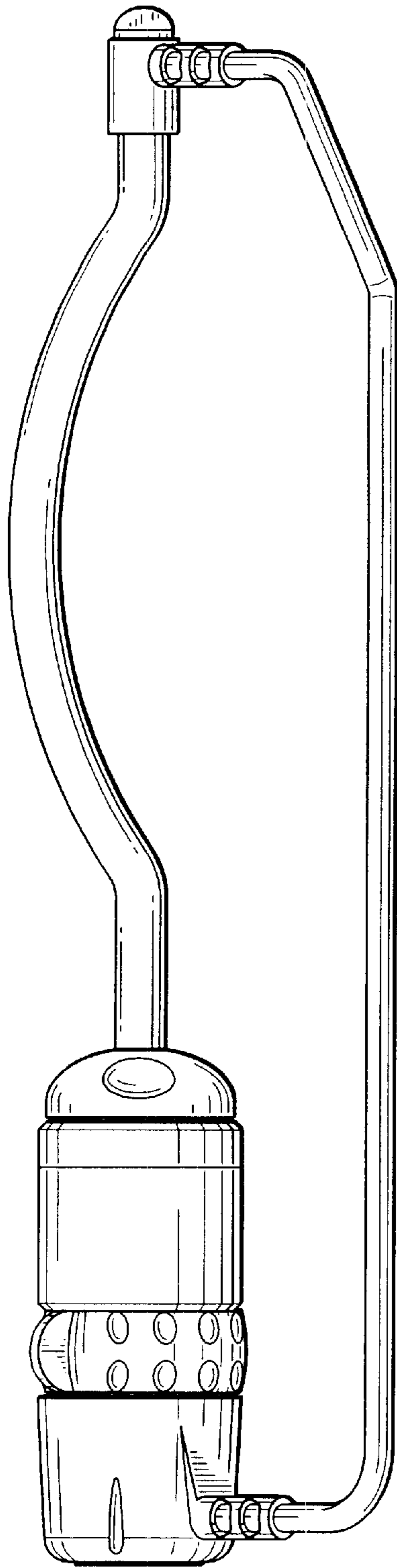


FIG. 5

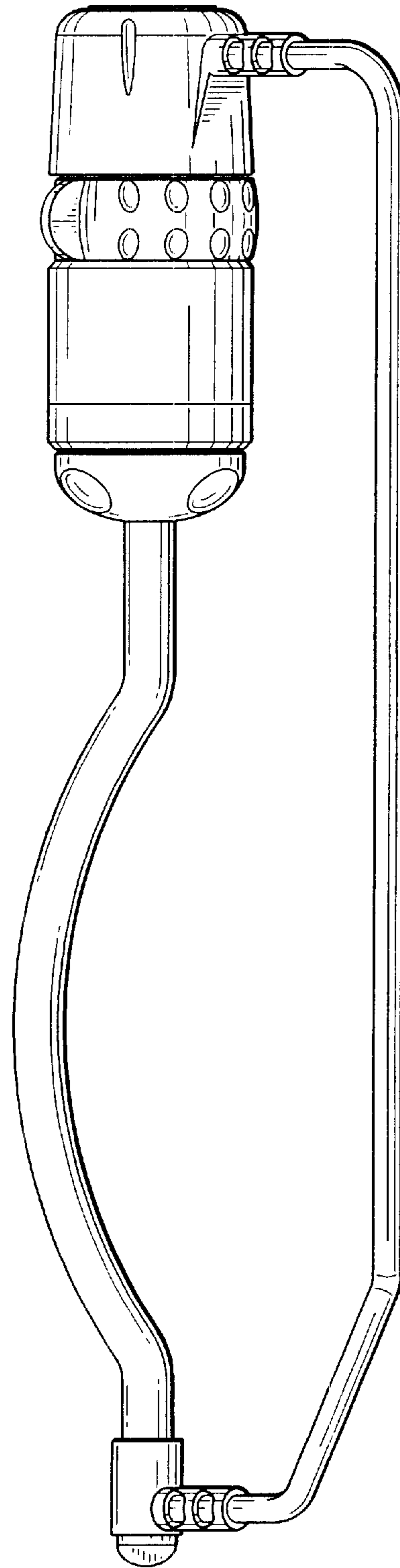


FIG. 6