



US00D465825S

(12) **United States Design Patent**  
**Petrovic et al.**

(10) **Patent No.:** **US D465,825 S**

(45) **Date of Patent:** **\*\* Nov. 19, 2002**

(54) **MULTI-HEAD BODY SPRAY SHOWER SYSTEM**

(75) Inventors: **John Edward Petrovic**, Hillsdale, MI (US); **Paul Jeffrey Tauzer**, Petoskey, MI (US); **Todd Alex Talbot**, Jackson, MI (US)

(73) Assignee: **Alsons Corporation**, Hillsdale, MI (US)

(\*\*) Term: **14 Years**

(21) Appl. No.: **29/151,107**

(22) Filed: **Nov. 2, 2001**

(51) **LOC (7) Cl.** ..... **23-01**

(52) **U.S. Cl.** ..... **D23/213; D23/228; D23/304**

(58) **Field of Search** ..... **D23/213, 229, D23/230, 228, 304; 4/601, 612, 615**

(56) **References Cited**

**U.S. PATENT DOCUMENTS**

5,339,469 A \* 8/1994 Gilles ..... 4/601  
D391,341 S \* 2/1998 Sutherland ..... D23/228

D405,877 S \* 2/1999 Larsson ..... D23/304  
6,038,715 A \* 3/2000 Flieger et al. .... 4/601  
D429,322 S \* 8/2000 Haug et al. .... D23/301  
D435,086 S \* 12/2000 Loper ..... D23/228  
6,256,808 B1 \* 7/2001 Graham et al. .... 4/615

\* cited by examiner

*Primary Examiner*—Robin V. Taylor

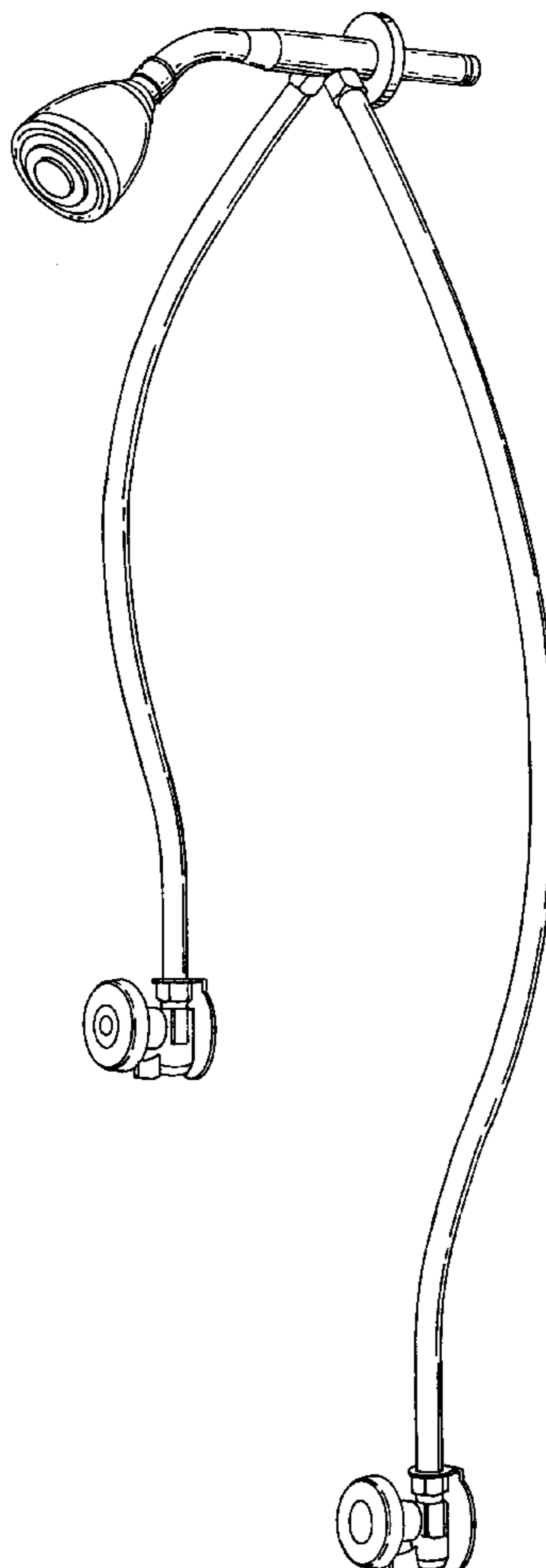
(57) **CLAIM**

The ornamental design for the multi-head body spray shower system, as shown and described.

**DESCRIPTION**

FIG. 1 is a perspective view of the unique multi-head body spray shower system in accordance with the invention; FIG. 2 is a front plan view of the system of FIG. 1; FIG. 3 is a left side plan view of the system of FIGS. 1 and 2; and FIG. 4 is a rear plan view of the system of FIGS. 1 and 2; FIG. 5 is a top plan view of the system of FIGS. 1 and 2; and, FIG. 6 is a bottom plan view of the system of FIGS. 1 and 2.

**1 Claim, 3 Drawing Sheets**



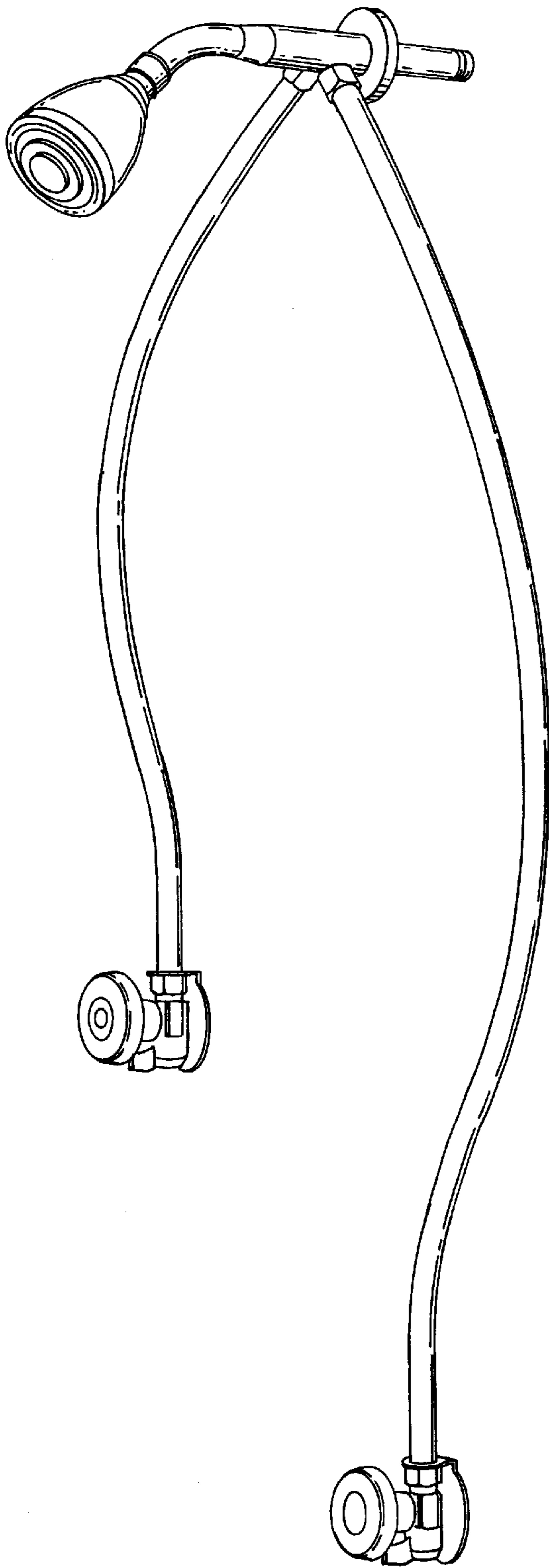


FIG. 1

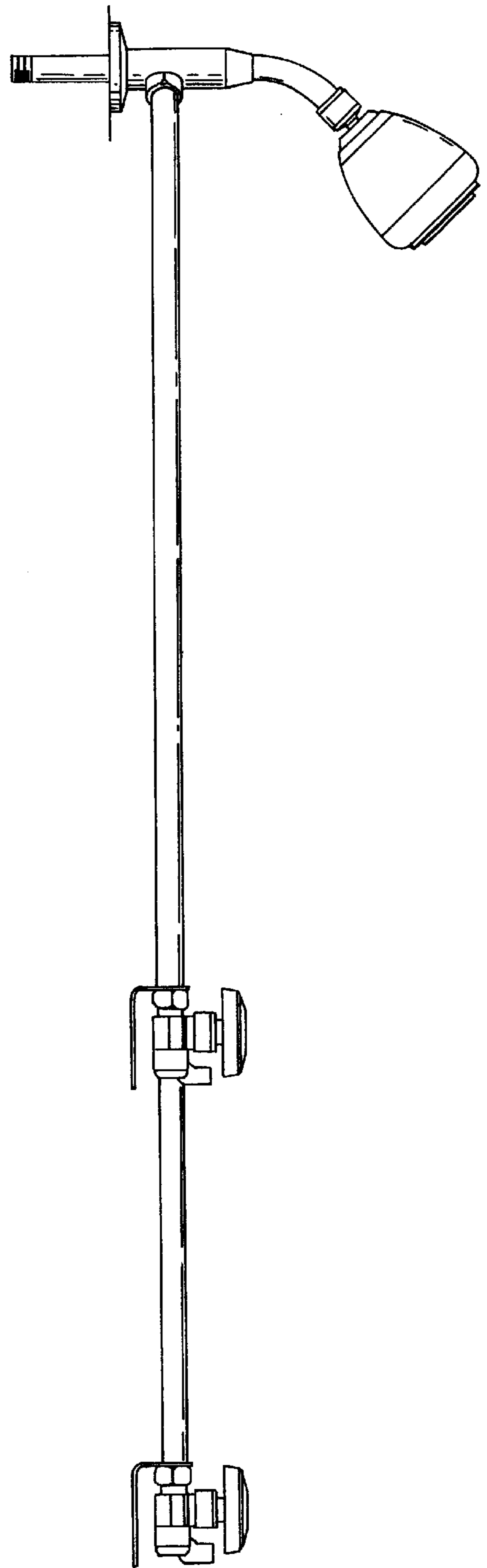


FIG. 2

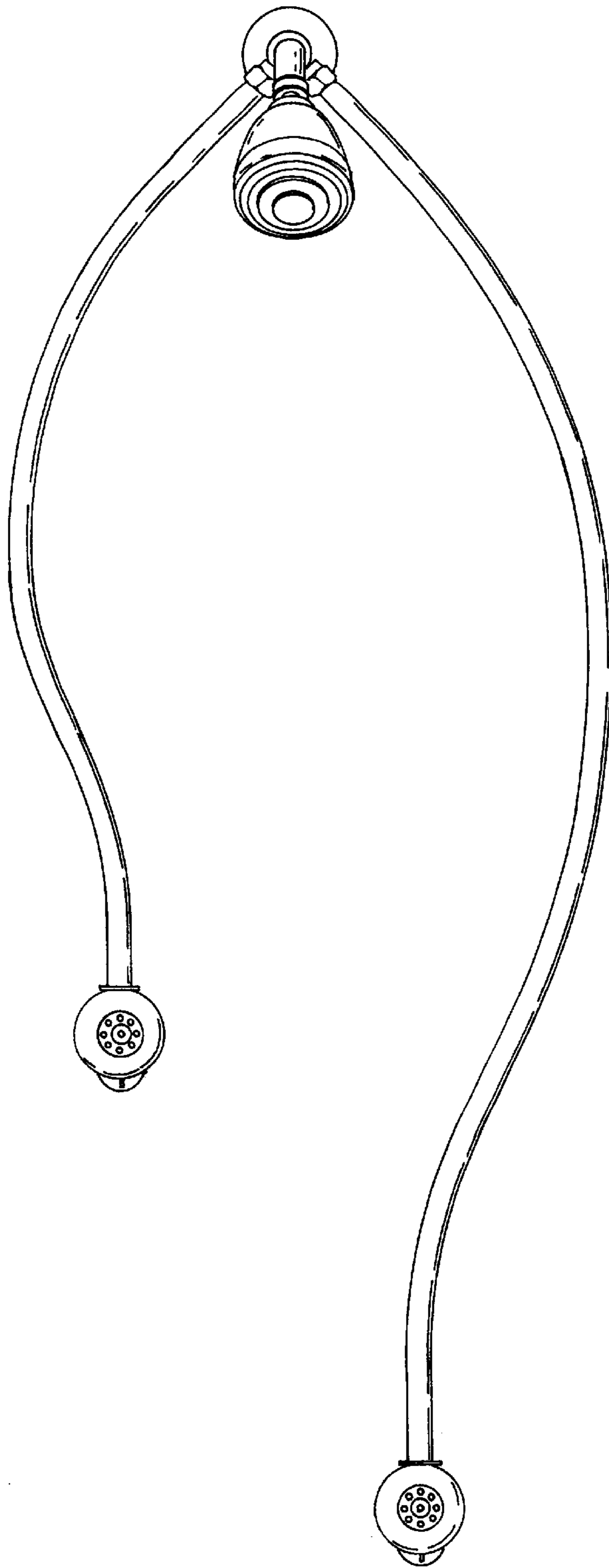


FIG. 3

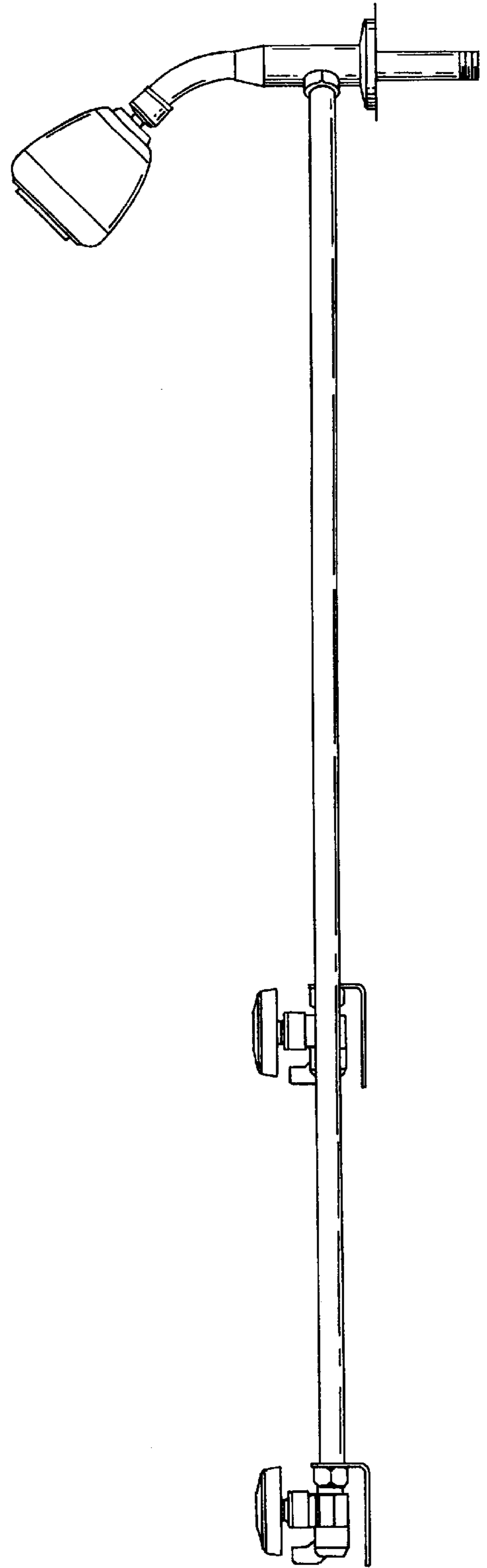


FIG. 4

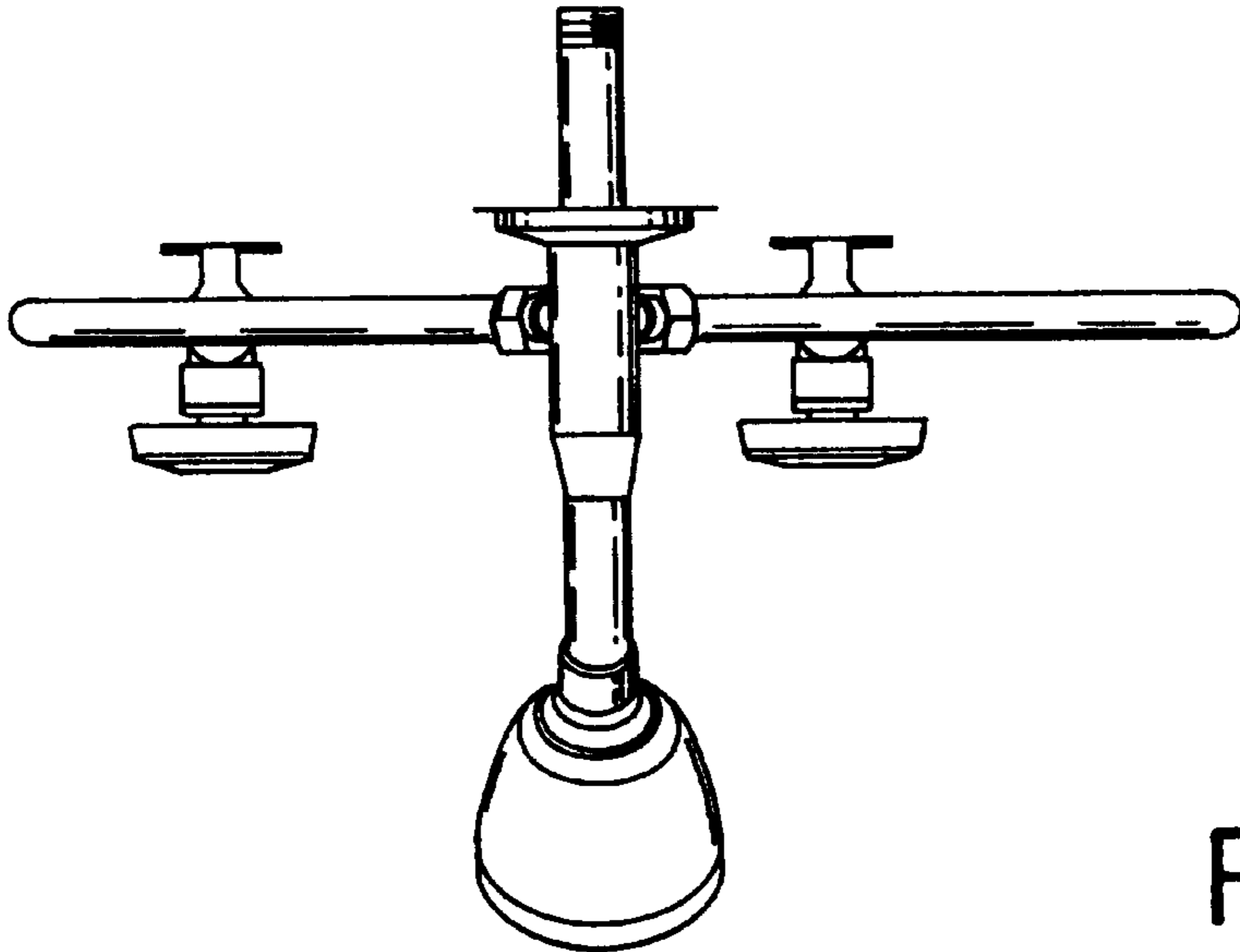


FIG. 5

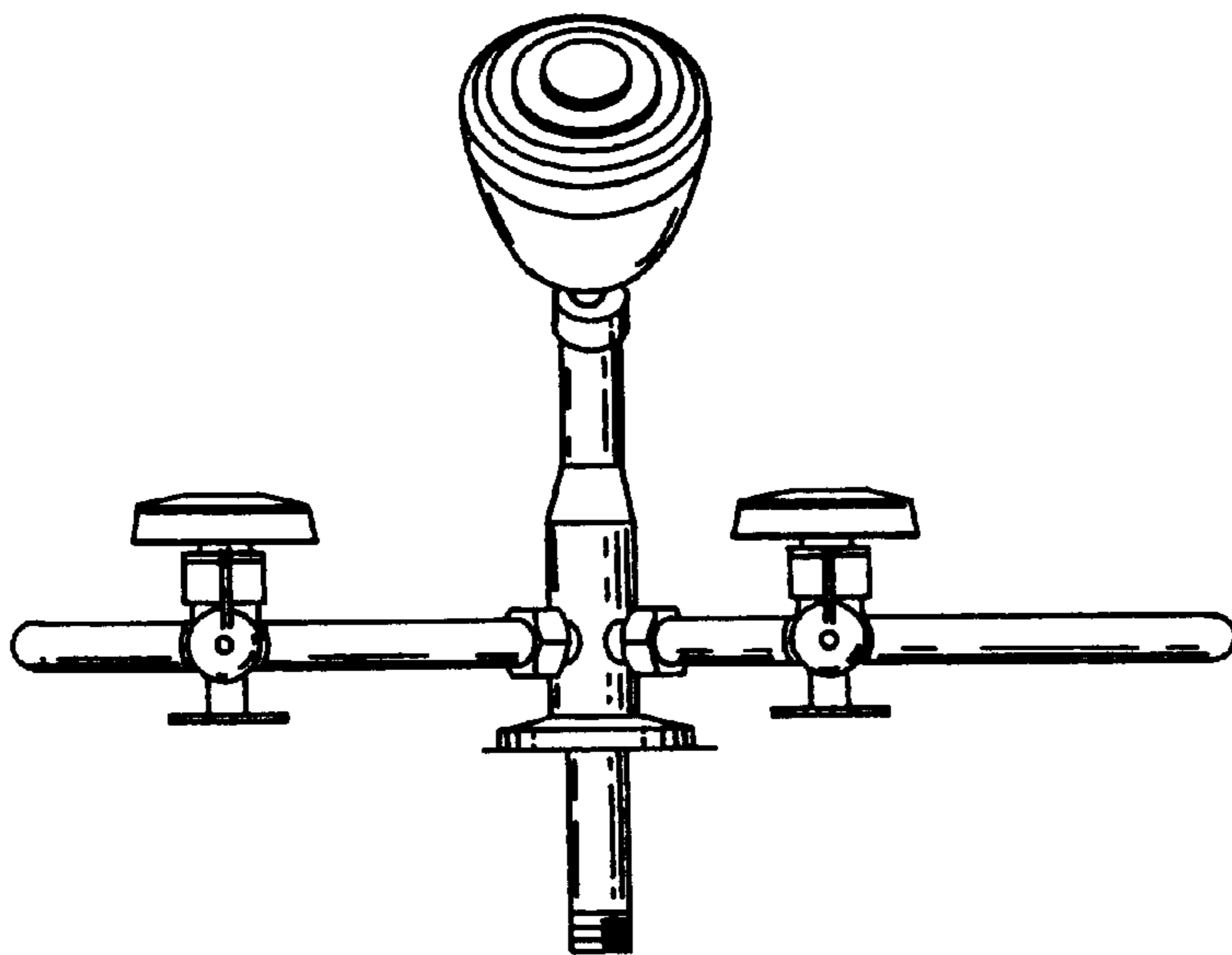


FIG. 6