



US00D465824S

(12) **United States Design Patent**
Barry

(10) **Patent No.:** **US D465,824 S**

(45) **Date of Patent:** **** Nov. 19, 2002**

(54) **FLOW DISTRIBUTOR**

(75) Inventor: **Barbara Barry**, Los Angeles, CA (US)

(73) Assignee: **Kallista, Inc.**, Kohler, WI (US)

(**) Term: **14 Years**

(21) Appl. No.: **29/140,933**

(22) Filed: **Apr. 26, 2001**

(51) **LOC (7) Cl.** **23-01**

(52) **U.S. Cl.** **D23/213**

(58) **Field of Search** D23/213, 229,
D23/228; 137/597; 239/548, 536

(56) **References Cited**

U.S. PATENT DOCUMENTS

D338,057 S	*	8/1993	Robbins	D23/213
D453,369 S	*	2/2001	Lobermeier	D23/213
6,202,687 B1	*	3/2001	Park	137/597
D452,897 S	*	1/2002	Gillette et al.	D23/223

OTHER PUBLICATIONS

2000 Kohler catalog ad, p. 2.41, showing a "Memoirs" shower control escutcheon.

Undated Kohler catalog ad, p. 26, showing a "Neuville" shower control escutcheon.

1991 Kallista catalog ad showing an octagonal magnum "Raindome" showerhead.

Undated Kallista catalog ad showing a "Spraydome" showerhead.

1991 Kallista catalog ad showing a "Spraybar" showerhead.

1991 Kallista catalog ad showing a semi-magnum octagonal "Raindome" showerhead.

* cited by examiner

Primary Examiner—Robin V. Taylor

(74) *Attorney, Agent, or Firm*—Quarles & Brady LLP

(57) **CLAIM**

The ornamental design for a flow distributor, as shown and described.

DESCRIPTION

In a preferred embodiment, the nature of this product is as a shower head primarily useful for enabling a water spray from a plumbing fitting.

FIG. 1 is a left, lower, front perspective view of a flow distributor embodying my new design;

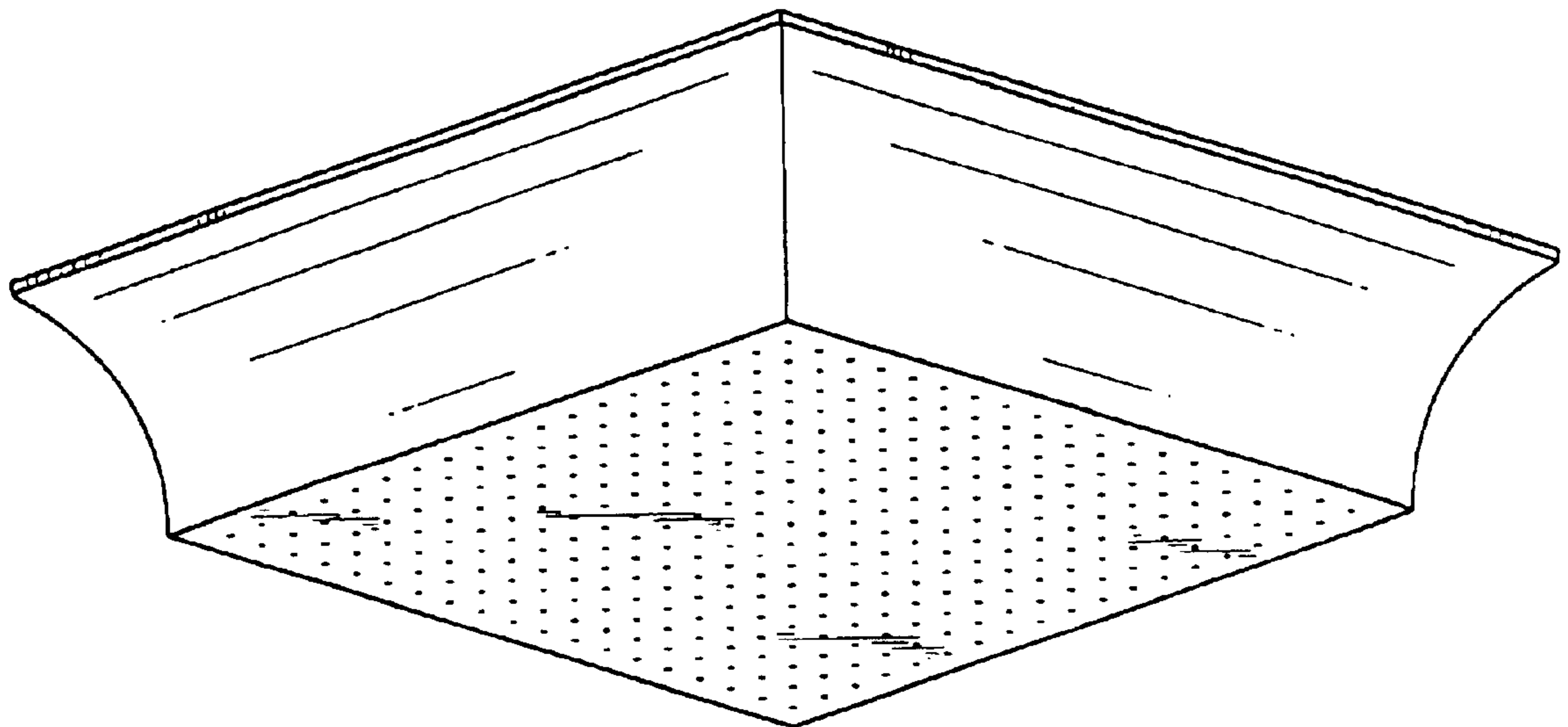
FIG. 2 is a bottom plan view thereof;

FIG. 3 is a front elevational view thereof, the rear elevational view, the left side elevational view, and the right side elevational view being identical to the front elevational view shown; and,

FIG. 4 is a top plan view thereof.

The broken line representations of walls and mounting structure in FIG. 4 are for the purpose of illustration only, and form no part of the claimed design.

1 Claim, 2 Drawing Sheets



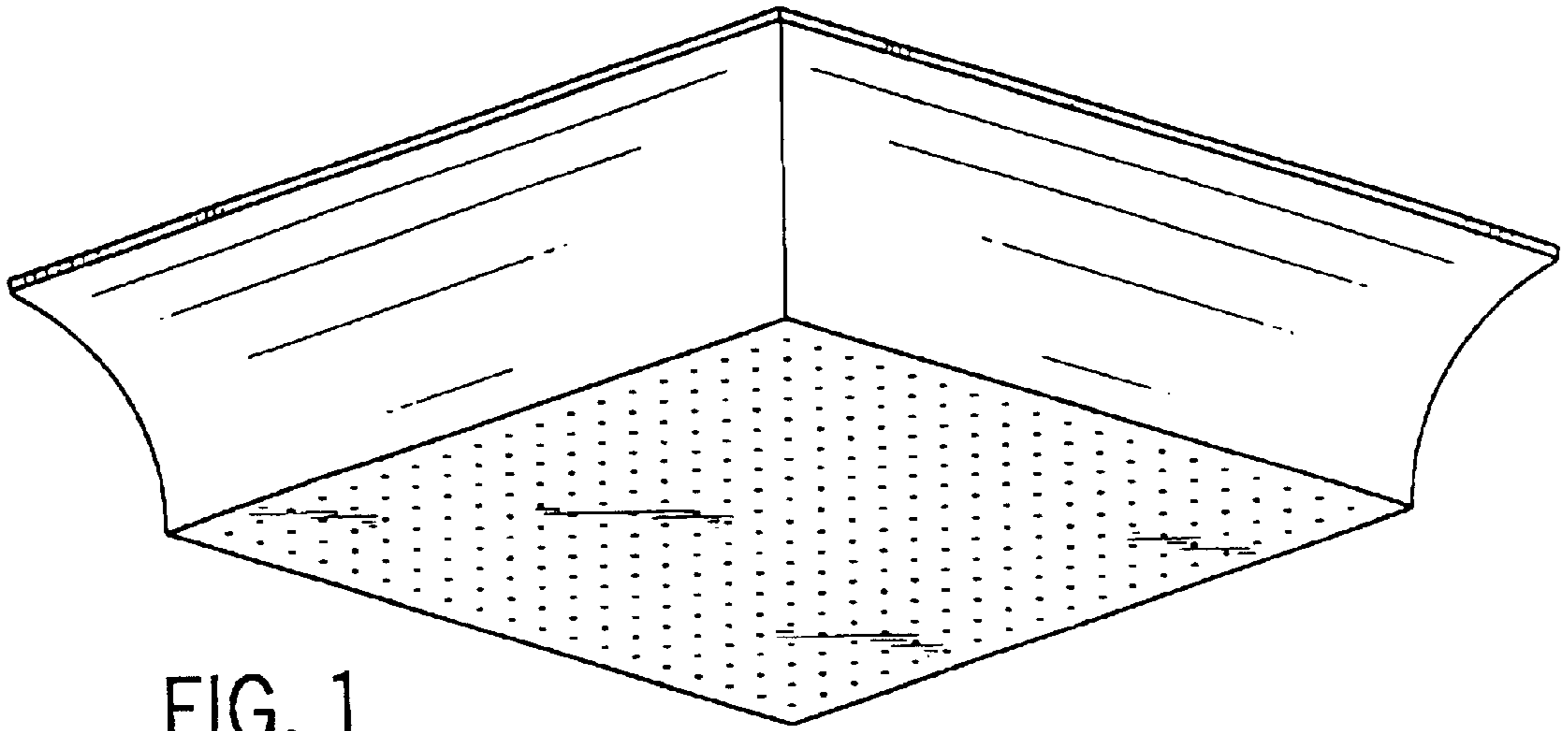


FIG. 1

FIG. 2

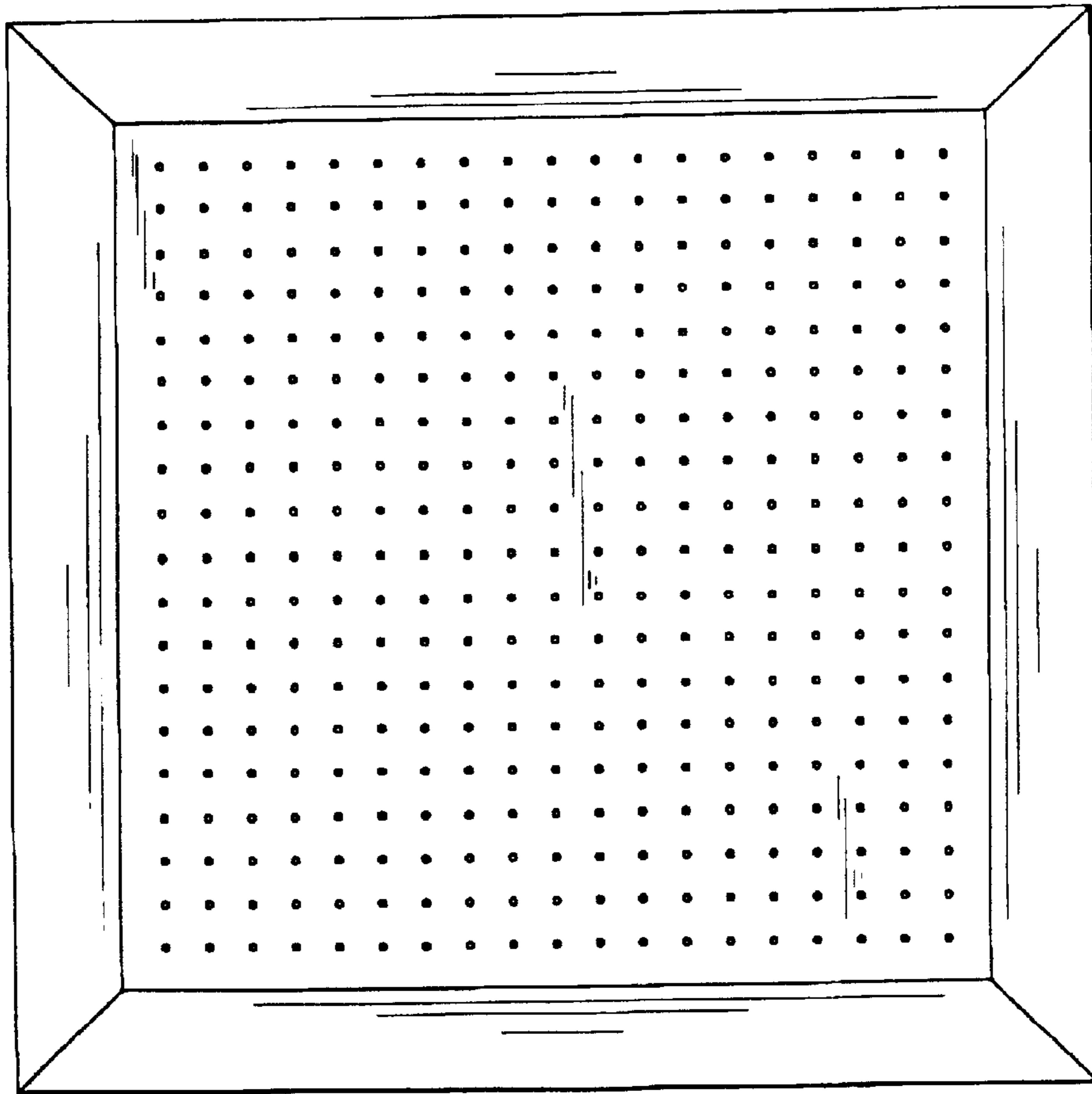


FIG. 3

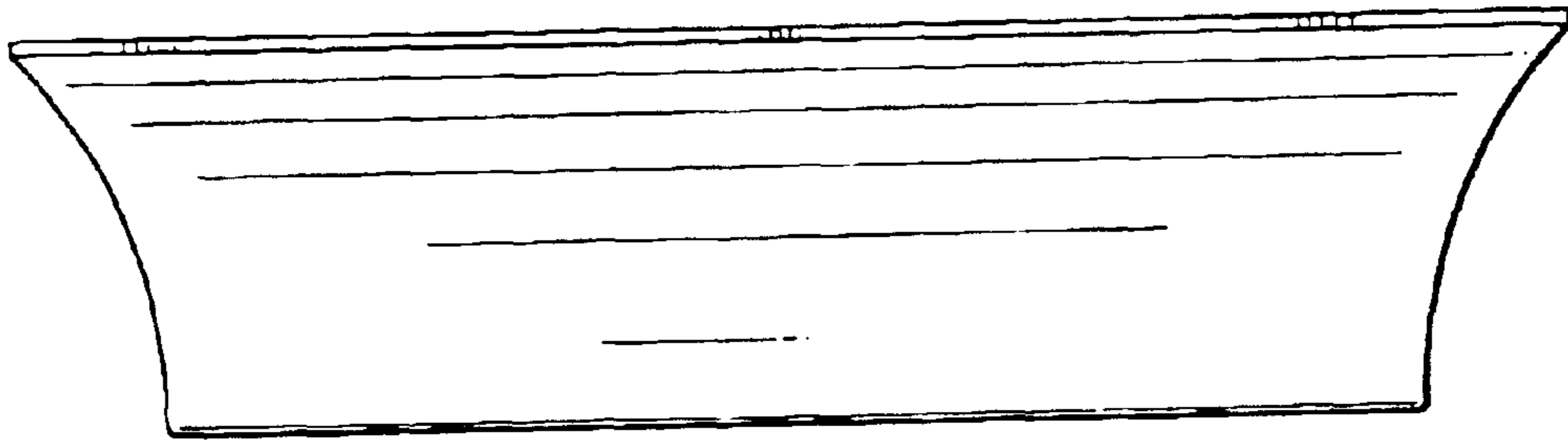


FIG. 4

