



US00D465823S

(12) **United States Design Patent**
Lundberg

(10) **Patent No.:** **US D465,823 S**

(45) **Date of Patent:** **** Nov. 19, 2002**

(54) **FLOTATION CHAIR**

(76) **Inventor:** **Lennart Lundberg**, Tranbärsstigen 3,
S-374 40, Karlshamn (SE)

(**) **Term:** **14 Years**

(21) **Appl. No.:** **29/119,546**

(22) **Filed:** **Mar. 3, 2000**

(30) **Foreign Application Priority Data**

Sep. 3, 1999 (SE) 99-1586

(51) **LOC (7) Cl.** **21-06**

(52) **U.S. Cl.** **D21/803**

(58) **Field of Search** D21/801, 803,
D21/809; 441/35, 39, 40, 43, 45, 129, 130,
132; 114/61, 354

(56) **References Cited**

U.S. PATENT DOCUMENTS

5,171,178 A * 12/1992 Creek et al. 441/132

5,688,153 A * 11/1997 Yeung 441/132

D406,299 S * 3/1999 Huston D21/803

6,168,489 B1 * 1/2001 Huston 441/130

* cited by examiner

Primary Examiner—Kay H. Chin

(74) *Attorney, Agent, or Firm*—Dykema Gossett PLLC

(57) **CLAIM**

The ornamental design for a flotation chair, as shown and described.

DESCRIPTION

FIG. 1 is a perspective view of a flotation chair in accordance with my new and ornamental design, including a seat and connected pontoon,

FIG. 2 is a side view thereof,

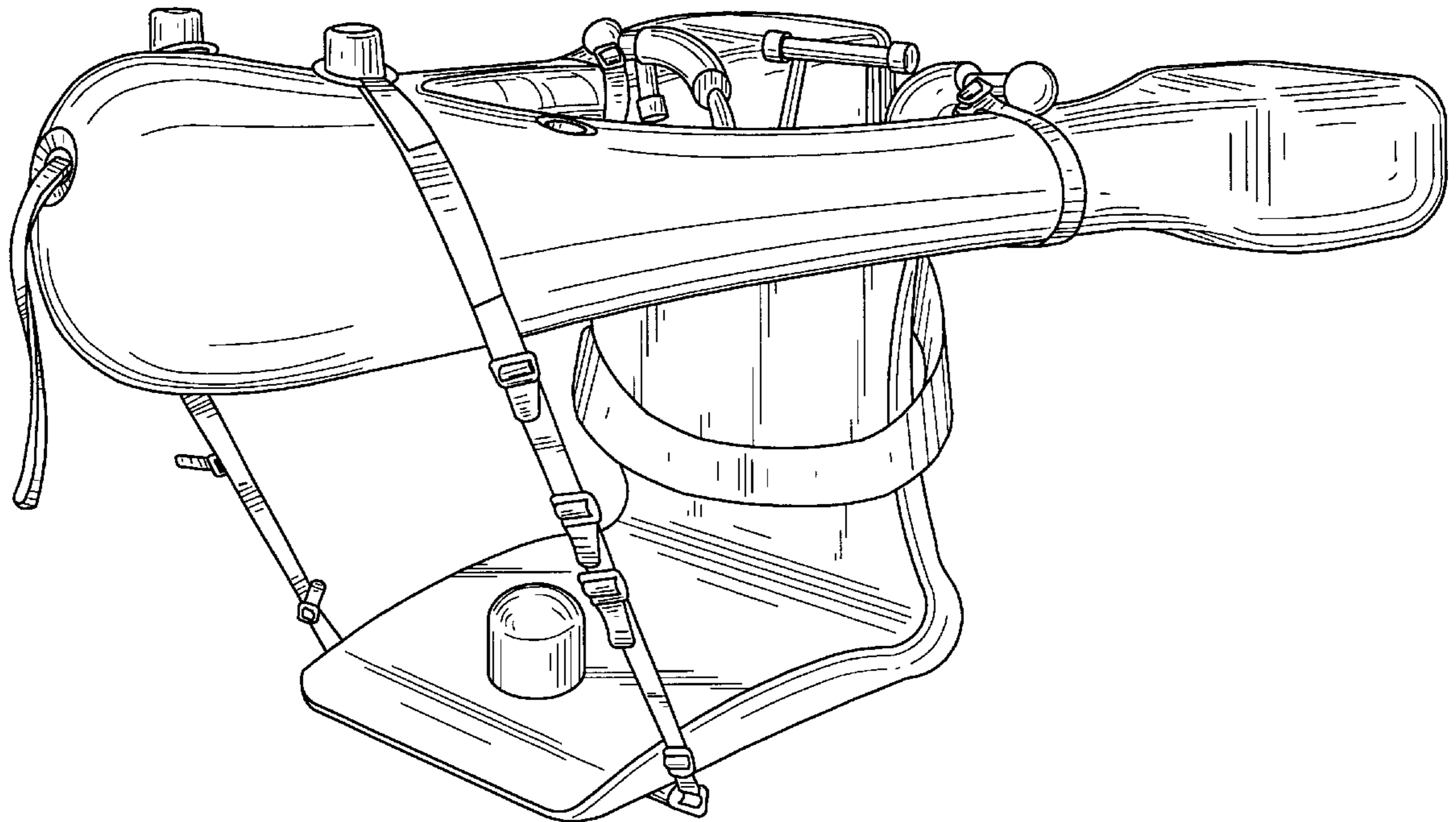
FIG. 3 is a front view thereof,

FIG. 4 is a rear view thereof,

FIG. 5 is a top view thereof; and,

FIG. 6 is a bottom view thereof.

1 Claim, 6 Drawing Sheets



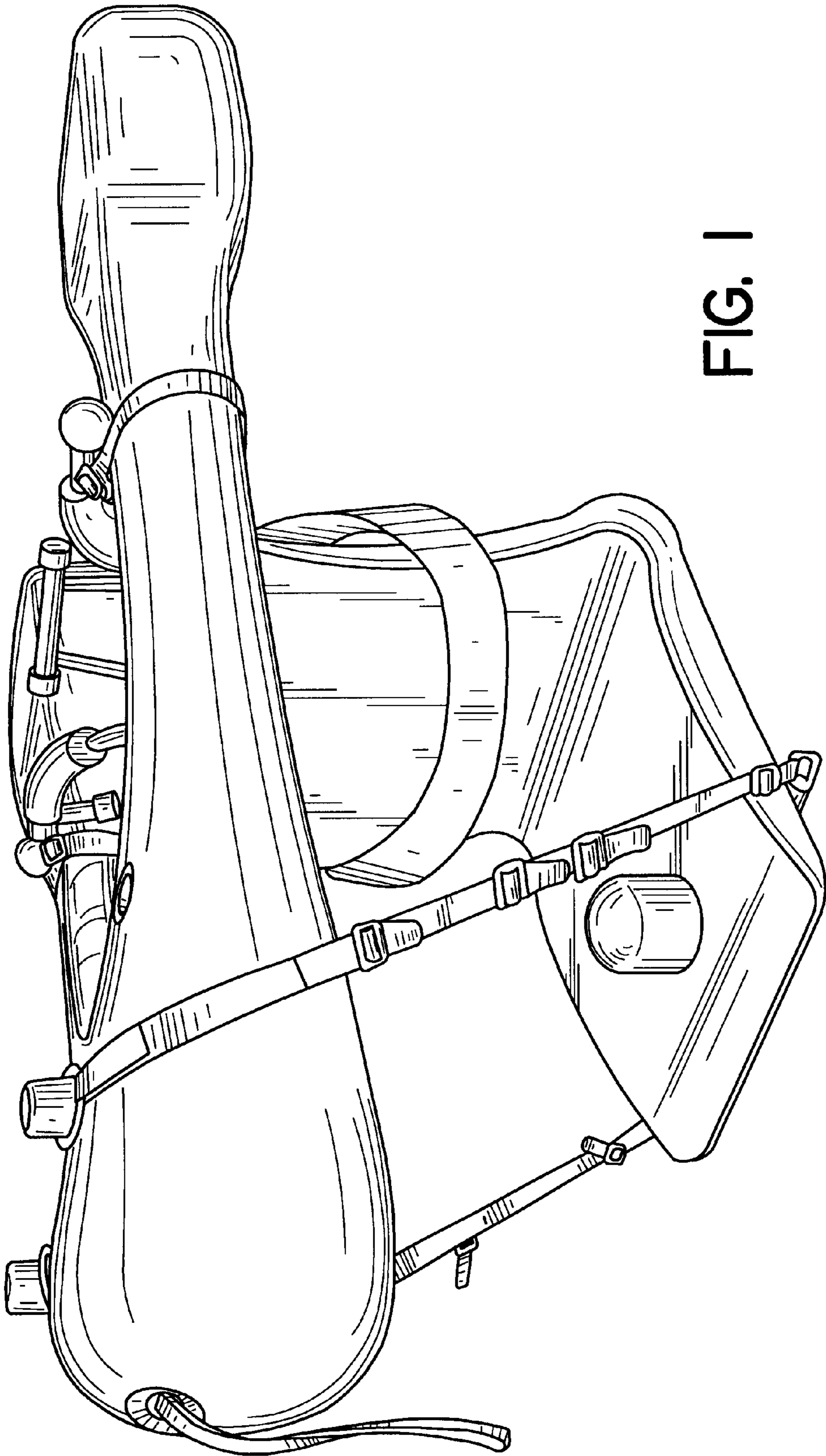


FIG. 1

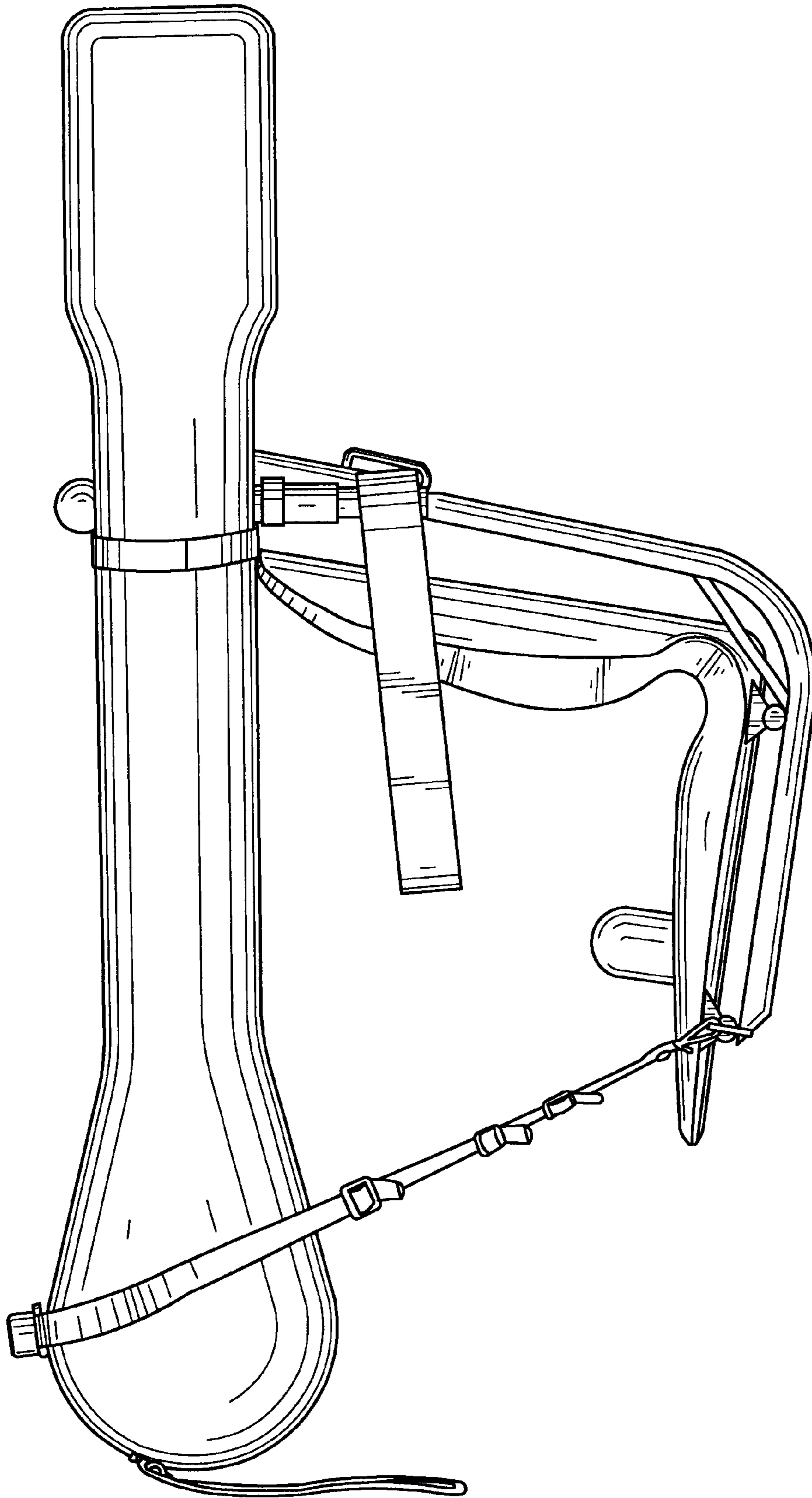


FIG. 2

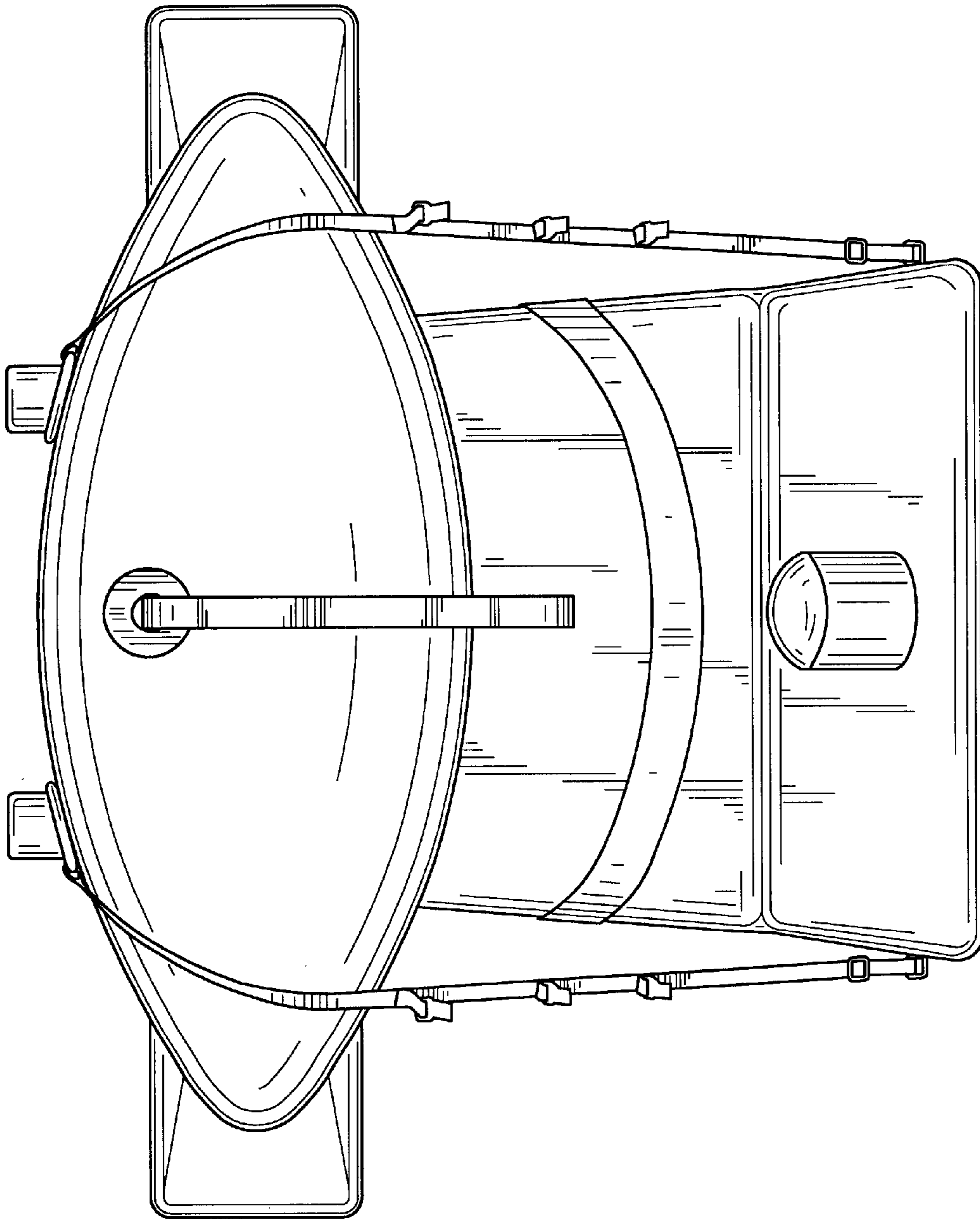


FIG. 3

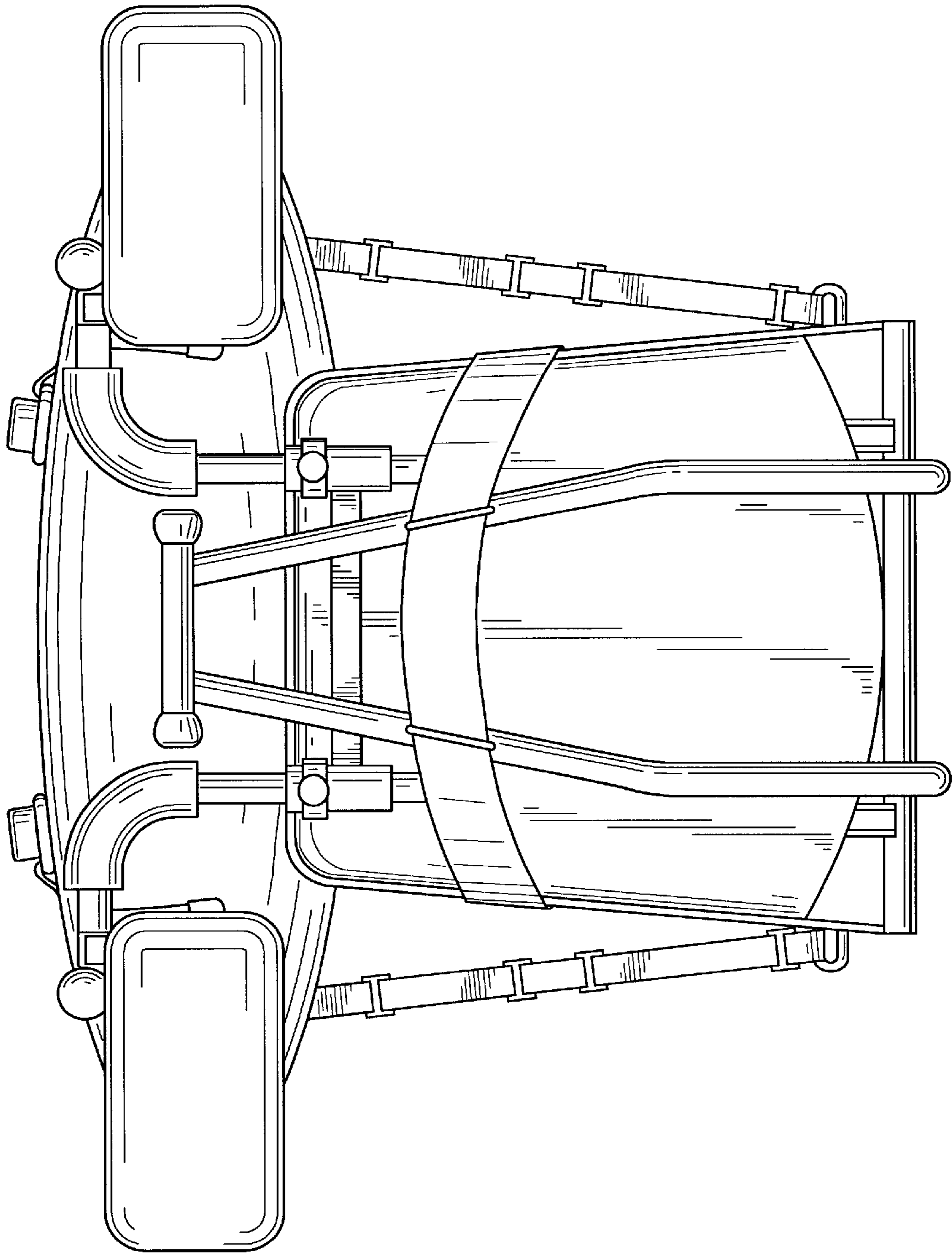


FIG. 4

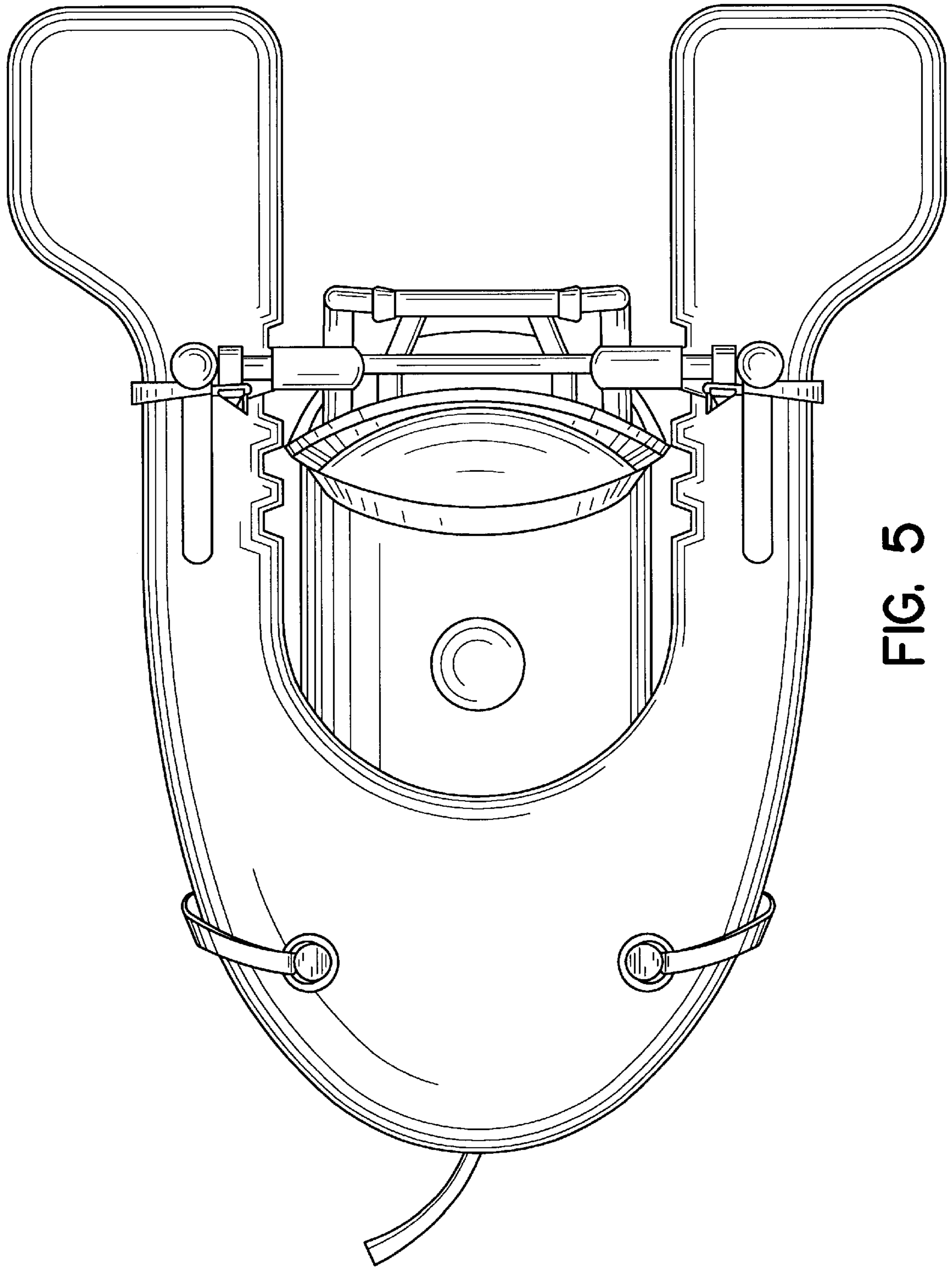


FIG. 5

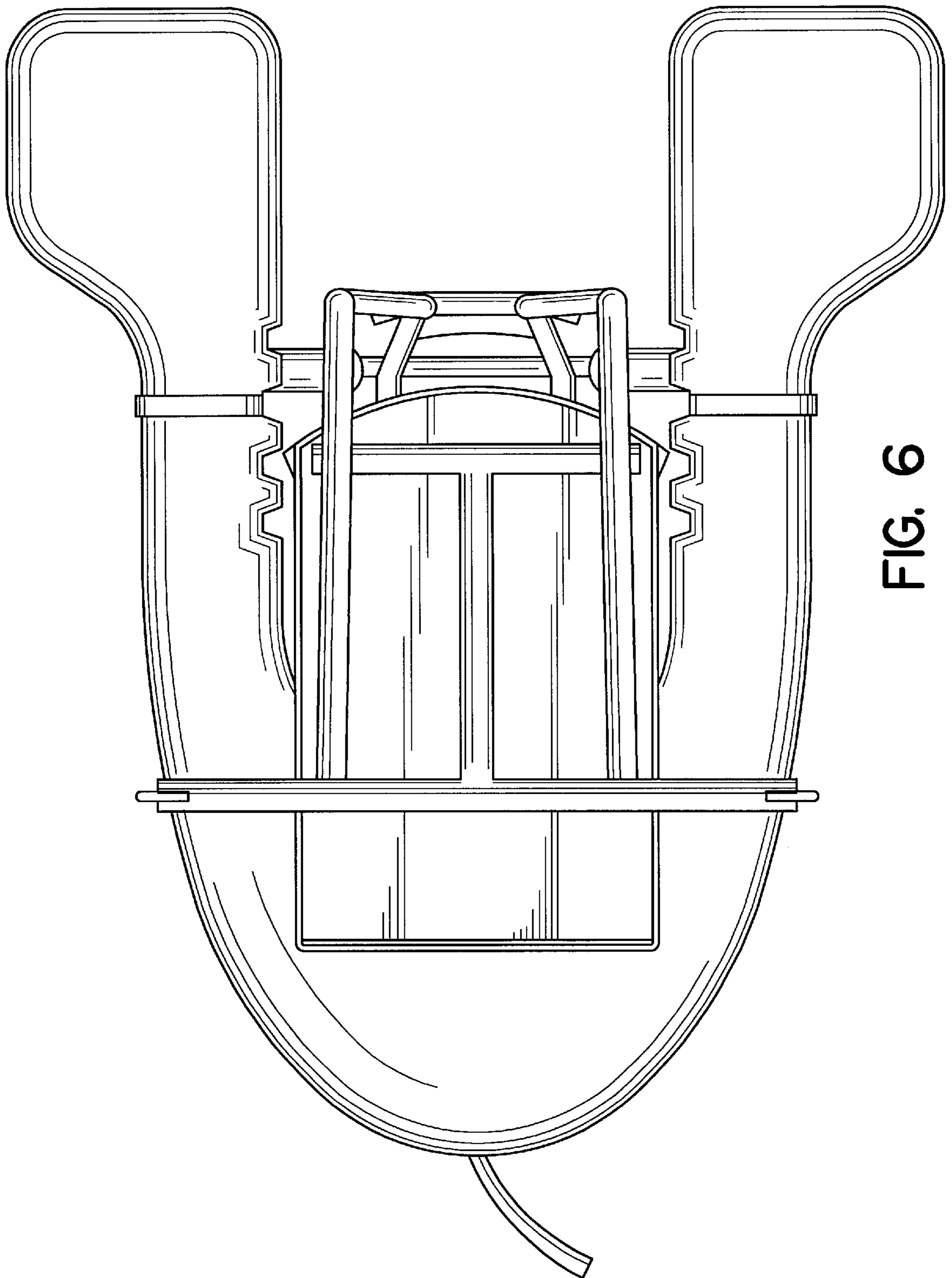


FIG. 6