



US00D465820S

(12) **United States Design Patent**
Lizenbery

(10) **Patent No.:** **US D465,820 S**

(45) **Date of Patent:** **** Nov. 19, 2002**

(54) **GOLF PUTTER**

D444,194 S * 6/2001 Calabro D21/738

(76) Inventor: **Mark Lizenbery**, 760 Reed St., Santa Clara, CA (US) 95050

* cited by examiner

(**) Term: **14 Years**

Primary Examiner—Mitchell Siegel

(74) *Attorney, Agent, or Firm*—Carol D. Titus; James J. Leary

(21) Appl. No.: **29/150,603**

(57) **CLAIM**

(22) Filed: **Nov. 14, 2001**

The ornamental design for a golf putter, as shown.

(51) **LOC (7) Cl.** **21-02**

DESCRIPTION

(52) **U.S. Cl.** **D21/738**

FIG. 1 is a perspective view of the golf putter;

(58) **Field of Search** D21/736-746;

FIG. 2 is a front view of the thereof;

473/324, 340, 341, 251-256

FIG. 3 is a rear view thereof;

FIG. 4 is a top view thereof;

(56) **References Cited**

FIG. 5 is a bottom view thereof;

U.S. PATENT DOCUMENTS

FIG. 6 is a left side view thereof; and,

FIG. 7 is a right side view thereof.

D277,692 S * 2/1985 MacDougall D21/745

D377,067 S * 12/1996 Wiens et al. D21/745

1 Claim, 5 Drawing Sheets



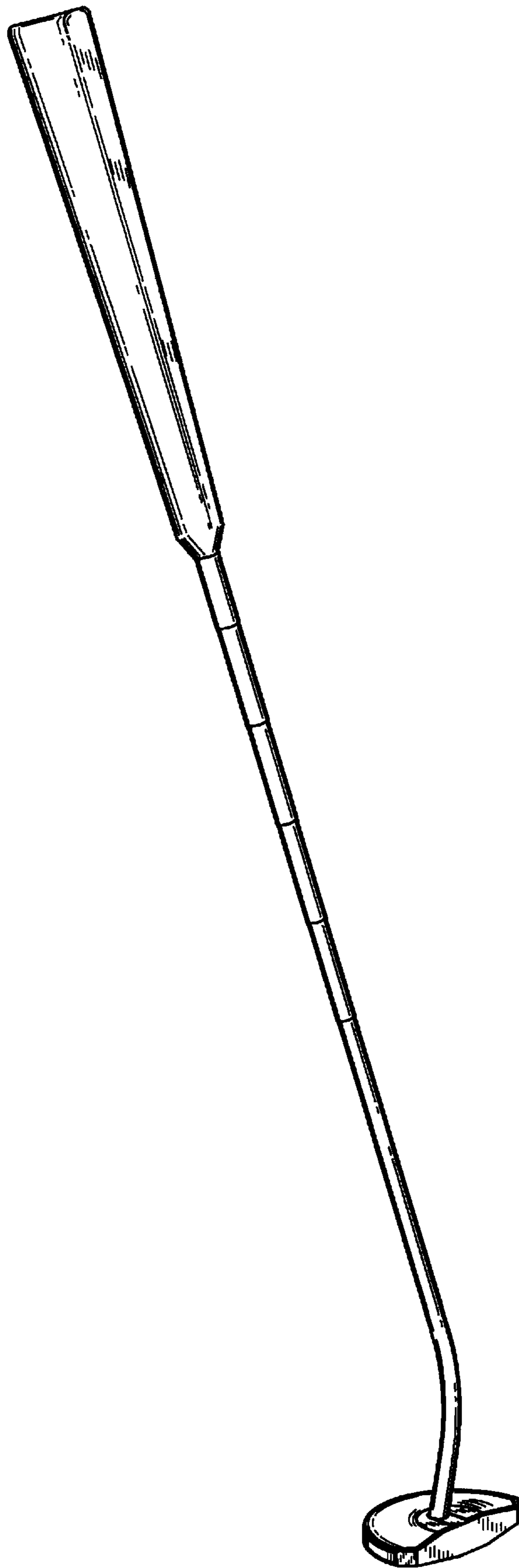
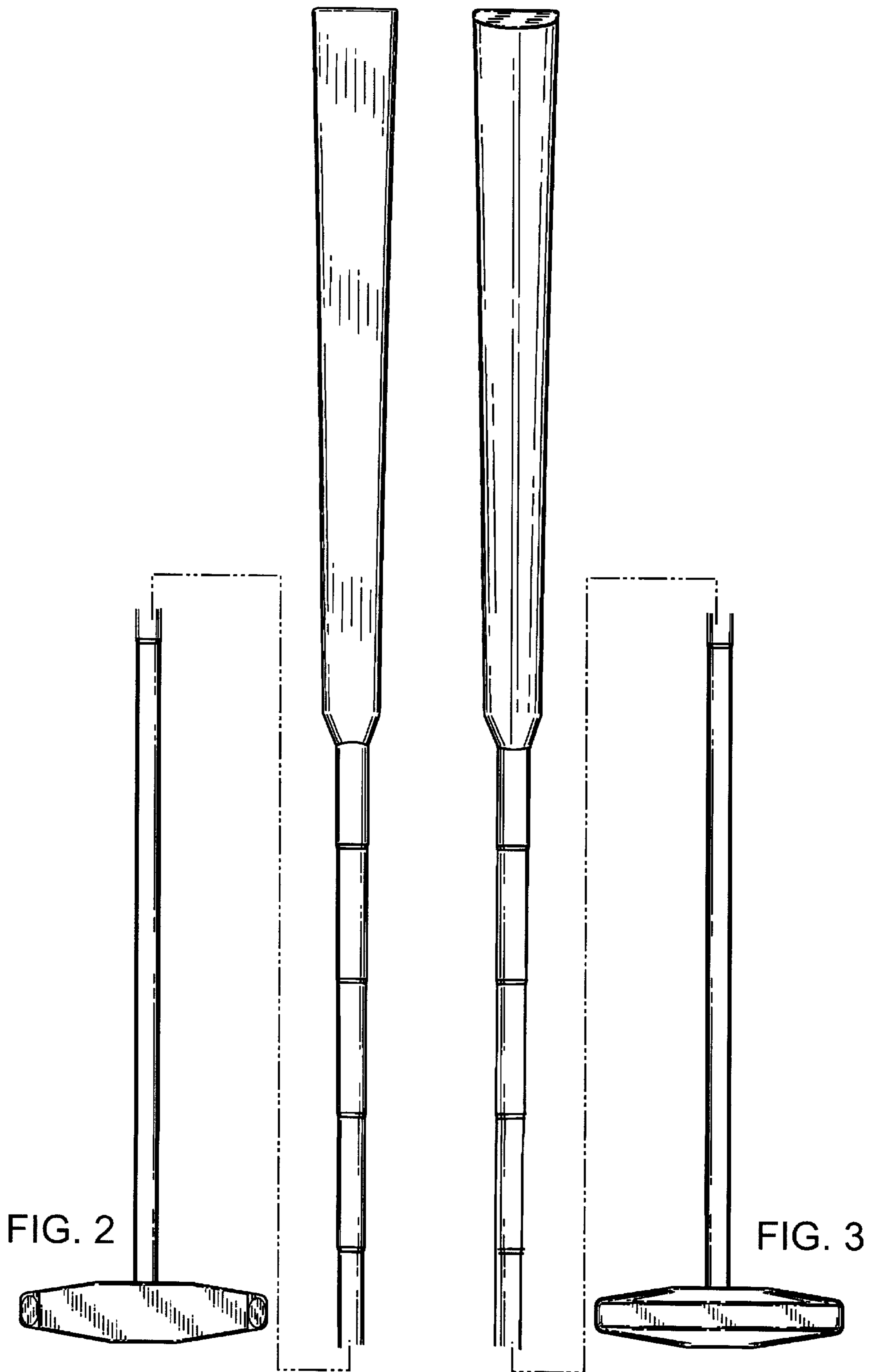


FIG. 1



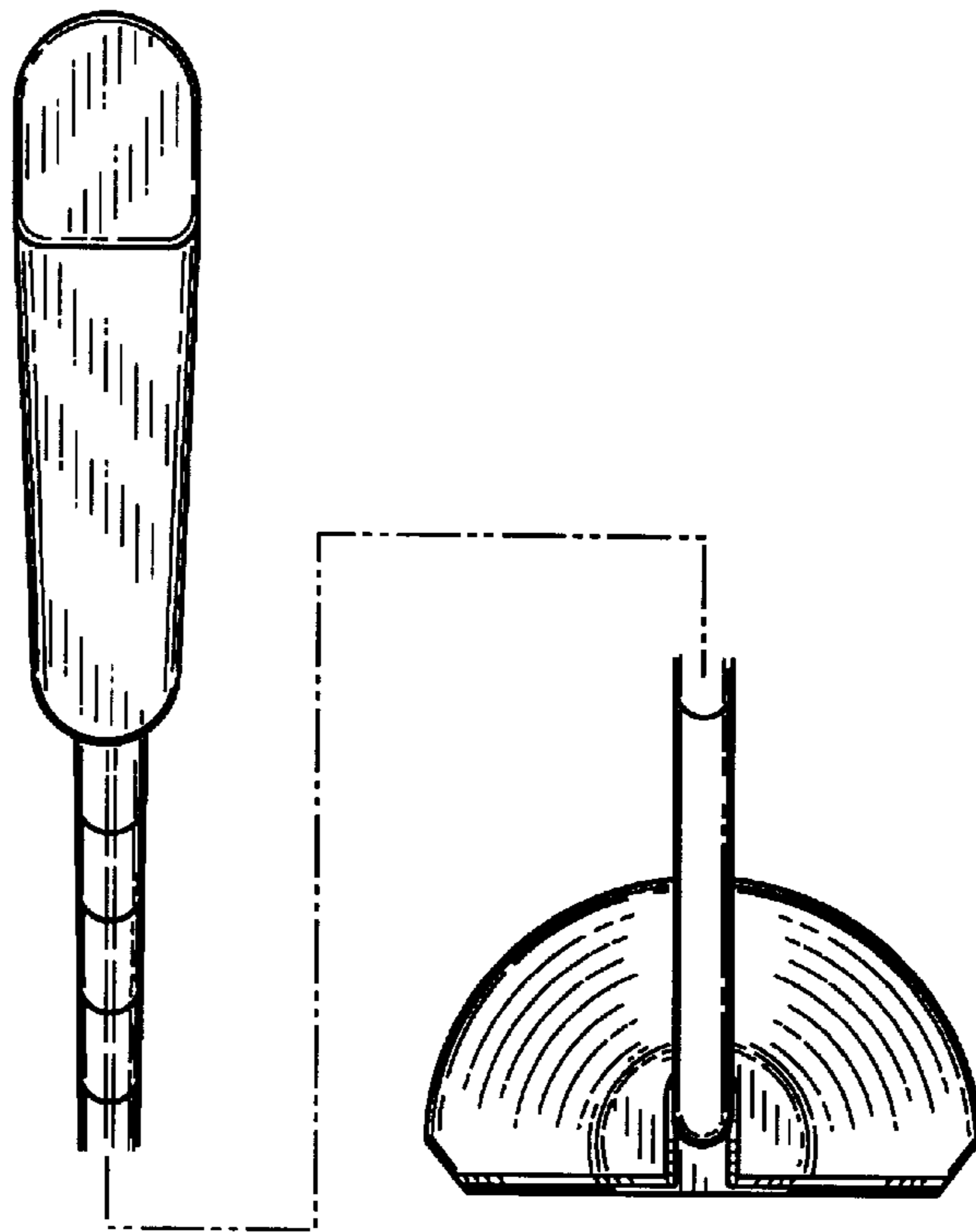


FIG. 4

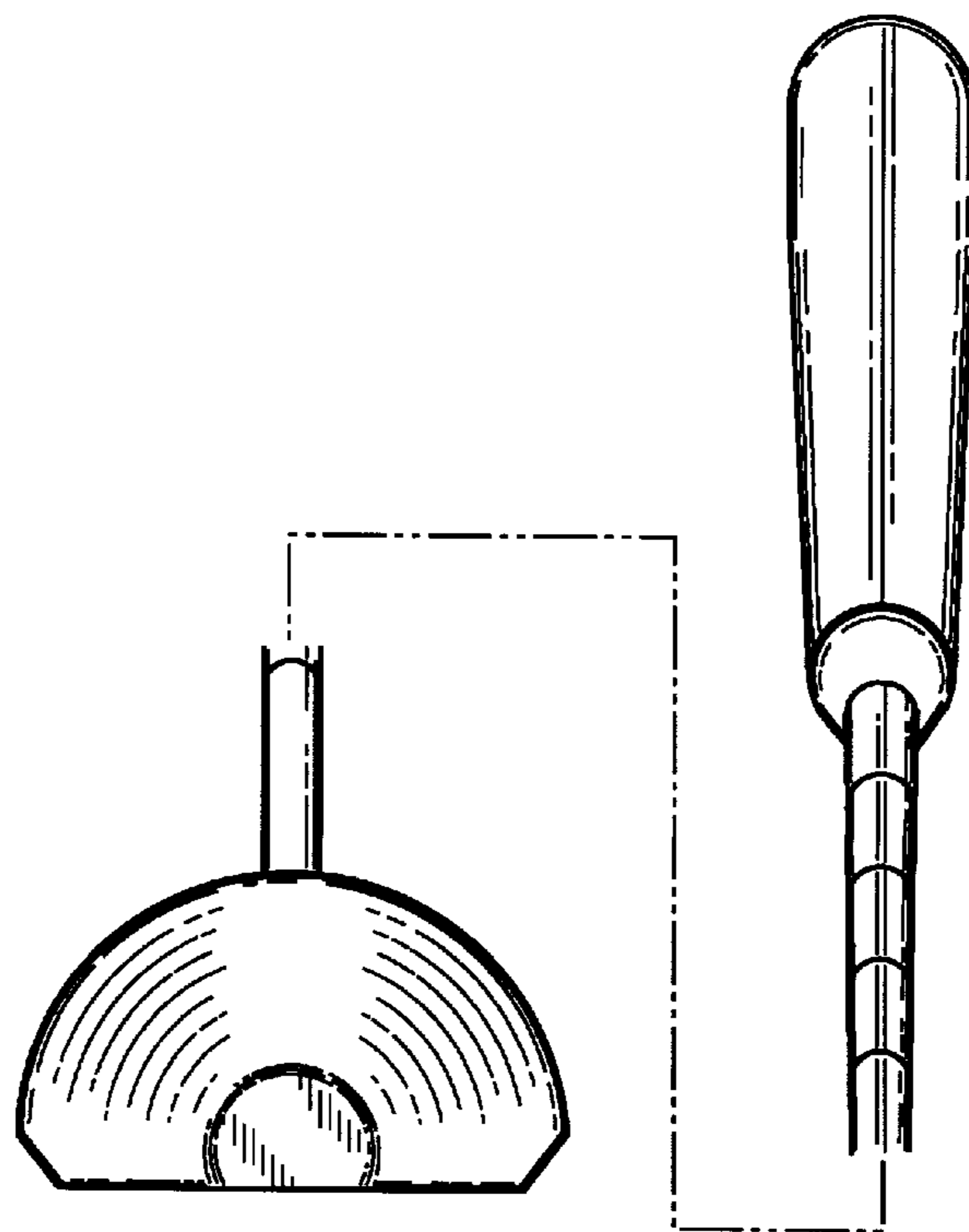


FIG. 5

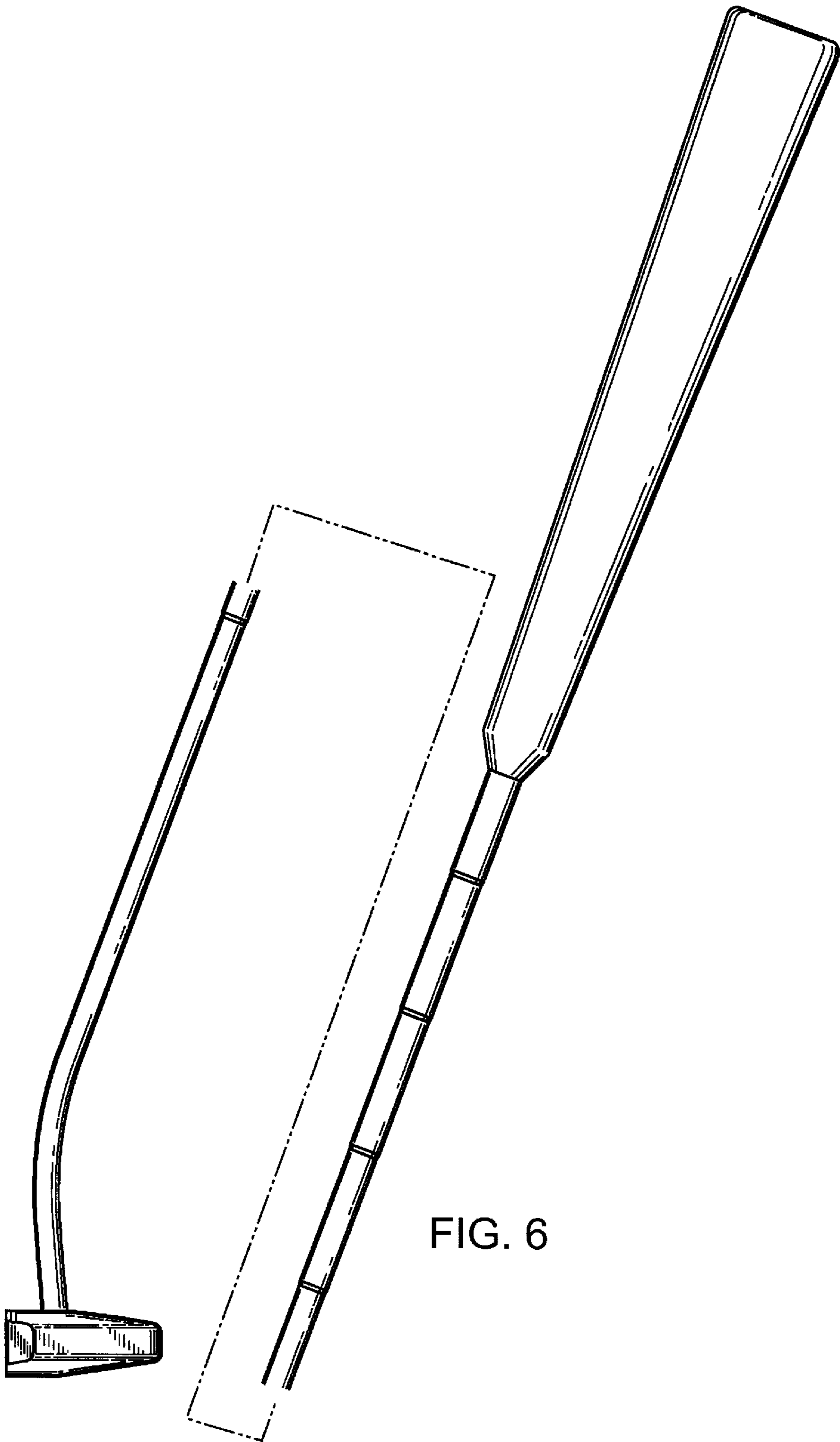


FIG. 6

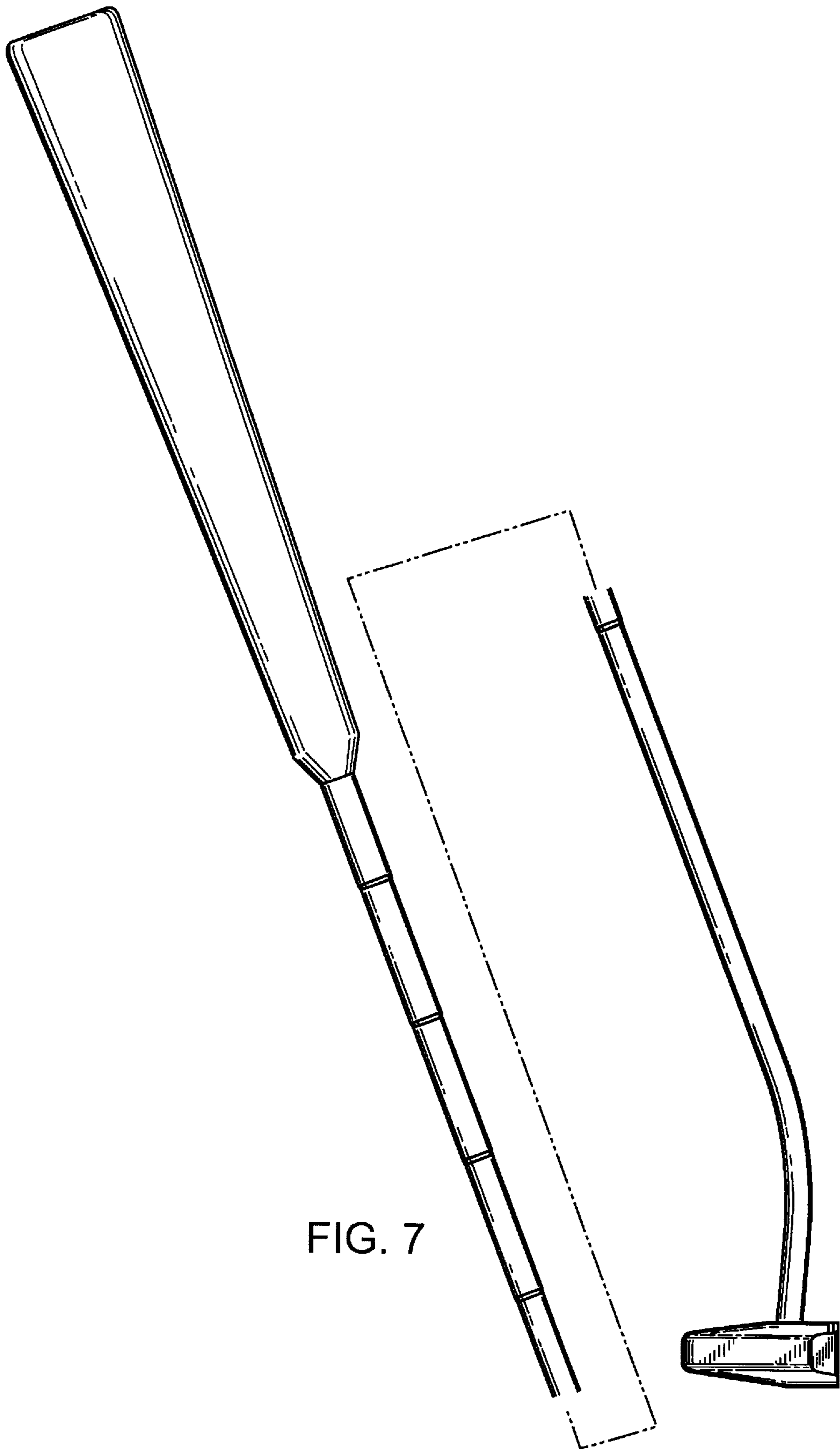


FIG. 7