



US00D465819S

(12) **United States Design Patent**
Bussiere

(10) **Patent No.:** **US D465,819 S**

(45) **Date of Patent:** **** Nov. 19, 2002**

(54) **GOLF PUTTER**

(76) Inventor: **Ray Bussiere**, 426 Candle Place SW,
Calgary, Alberta (CA), T2W 3B3

(**) Term: **14 Years**

(21) Appl. No.: **29/149,499**

(22) Filed: **Oct. 12, 2001**

(30) **Foreign Application Priority Data**

Apr. 27, 2001 (CA) 2001-1106

(51) **LOC (7) Cl.** **21-02**

(52) **U.S. Cl.** **D21/736**

(58) **Field of Search** D21/736-746;
473/251-256, 324, 327, 328, 340, 341

(56) **References Cited**

U.S. PATENT DOCUMENTS

D269,537 S	6/1983	Tucker	
4,895,371 A	1/1990	Bushner	
D315,386 S	* 3/1991	Alonso D21/741
D323,688 S	2/1992	Whitney	
D324,250 S	2/1992	Magness	
D354,535 S	* 1/1995	Queen D21/743
D357,292 S	* 4/1995	Smith D21/741
D410,055 S	5/1999	Loop	
D422,328 S	* 4/2000	Lannoch D21/743
6,056,647 A	5/2000	Tingelstad	

OTHER PUBLICATIONS

*“Finalizer Side Saddle Putters,”*The Golf Warehouse,
Wichita, Kansas, [http://www.tgw.com/customer/category/
product.html](http://www.tgw.com/customer/category/product.html), pp. 1-3, Feb. 20, 2001.
Pro Putter™, “Perfect Allignment,” “Pefect Stroke” and
“Perfect Roll,” <http://www.dv8golf.com/?Blank>, Feb. 20,
2001.

“Introducing The Way Putters: The Way to Better Putting”
and “Details and Features of ‘The Way,’” The Way Putters,
Bemidji, Minnesota, <http://www.thewayputters.com>, Feb.
20, 2001.

* cited by examiner

Primary Examiner—Mitchell Siegel

(74) *Attorney, Agent, or Firm*—Burns, Doane, Swecker &
Mathis, L.L.P.

(57) **CLAIM**

The ornamental design for a golf putter, as shown and
described.

DESCRIPTION

FIG. 1 is a front, top perspective view of a golf putter
showing a first embodiment of my new design;

FIG. 2 is a top plan view of the head of the golf putter shown
in FIG. 1;

FIG. 3 is a bottom plan view thereof;

FIG. 4 is a left side elevational view thereof, the right side
being a mirror image thereof;

FIG. 5 is a front elevational view thereof;

FIG. 6 is a front, top perspective view of a second embodi-
ment thereof;

FIG. 7 is a top plan view of the head of the golf putter shown
in FIG. 6;

FIG. 8 is a bottom plan view thereof;

FIG. 9 is a left side elevational view thereof, the right side
being a mirror image thereof; and,

FIG. 10 is a front elevational view thereof.

The broken line showing of a golf club or portions thereof
in FIGS. 1-10 is for illustrative purposes only and forms no
part of the claimed design.

1 Claim, 4 Drawing Sheets

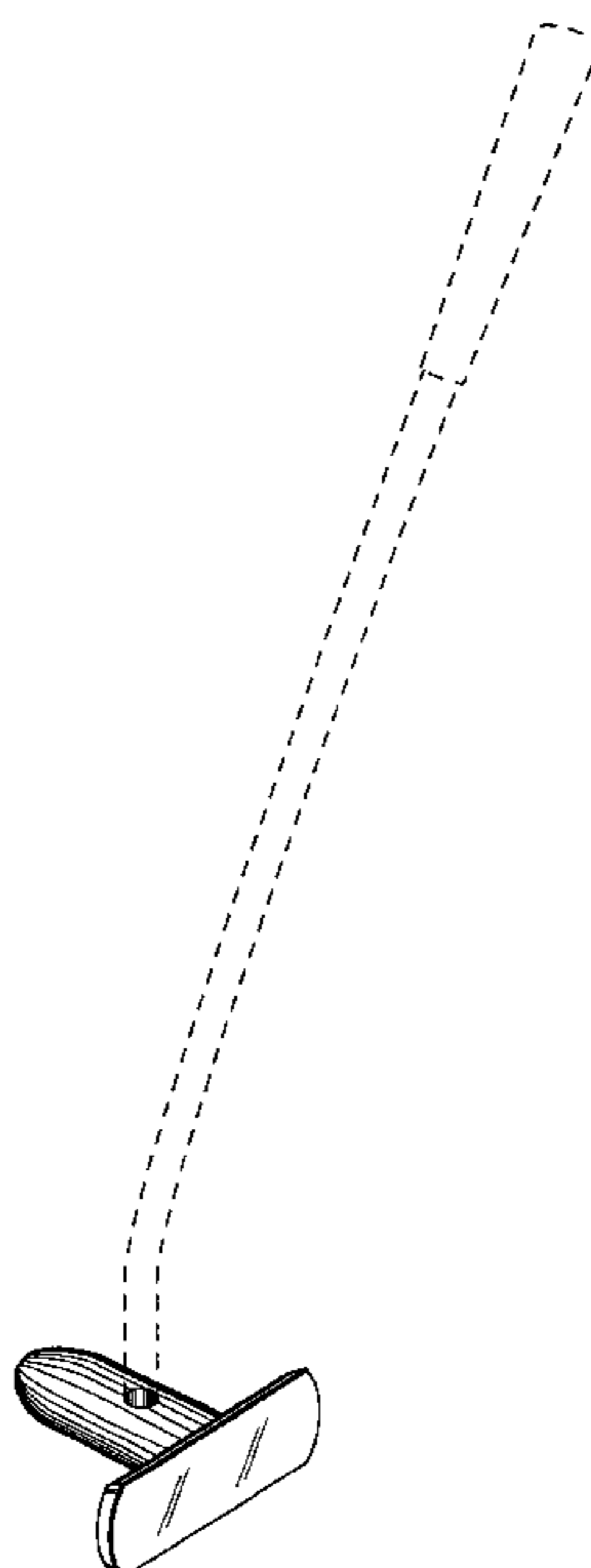
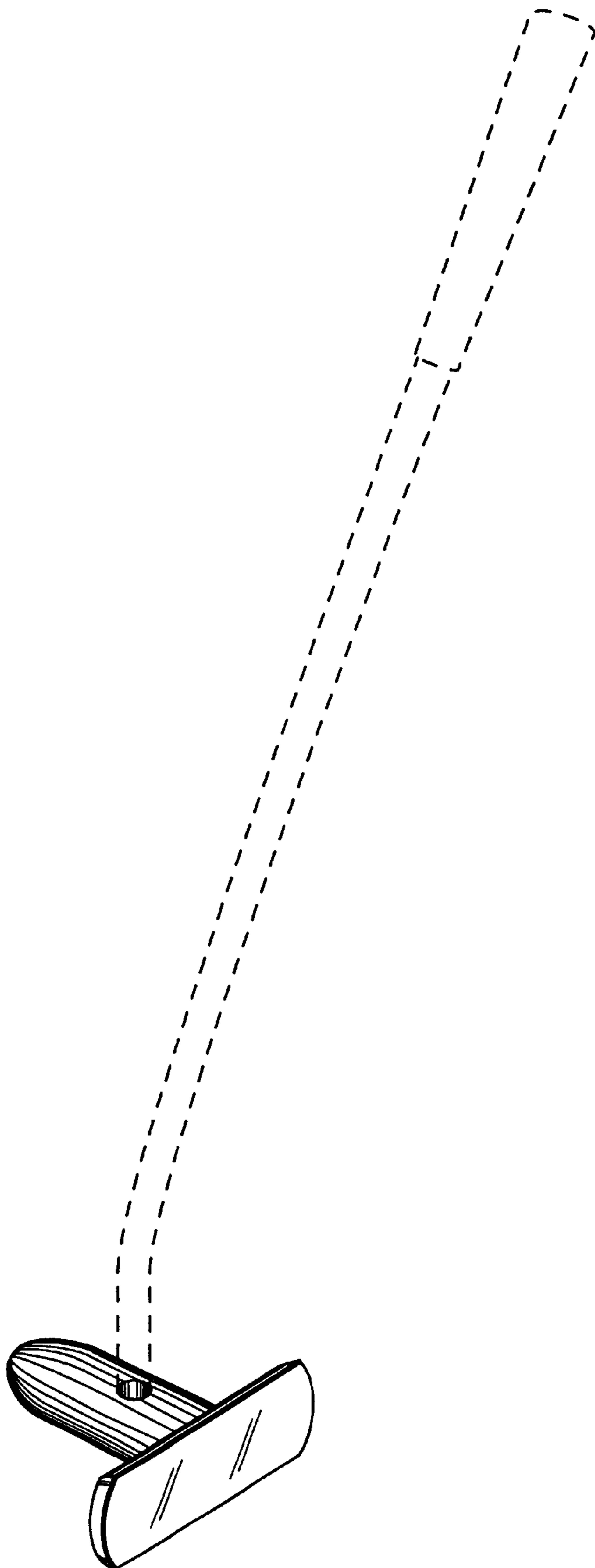


FIG. 1



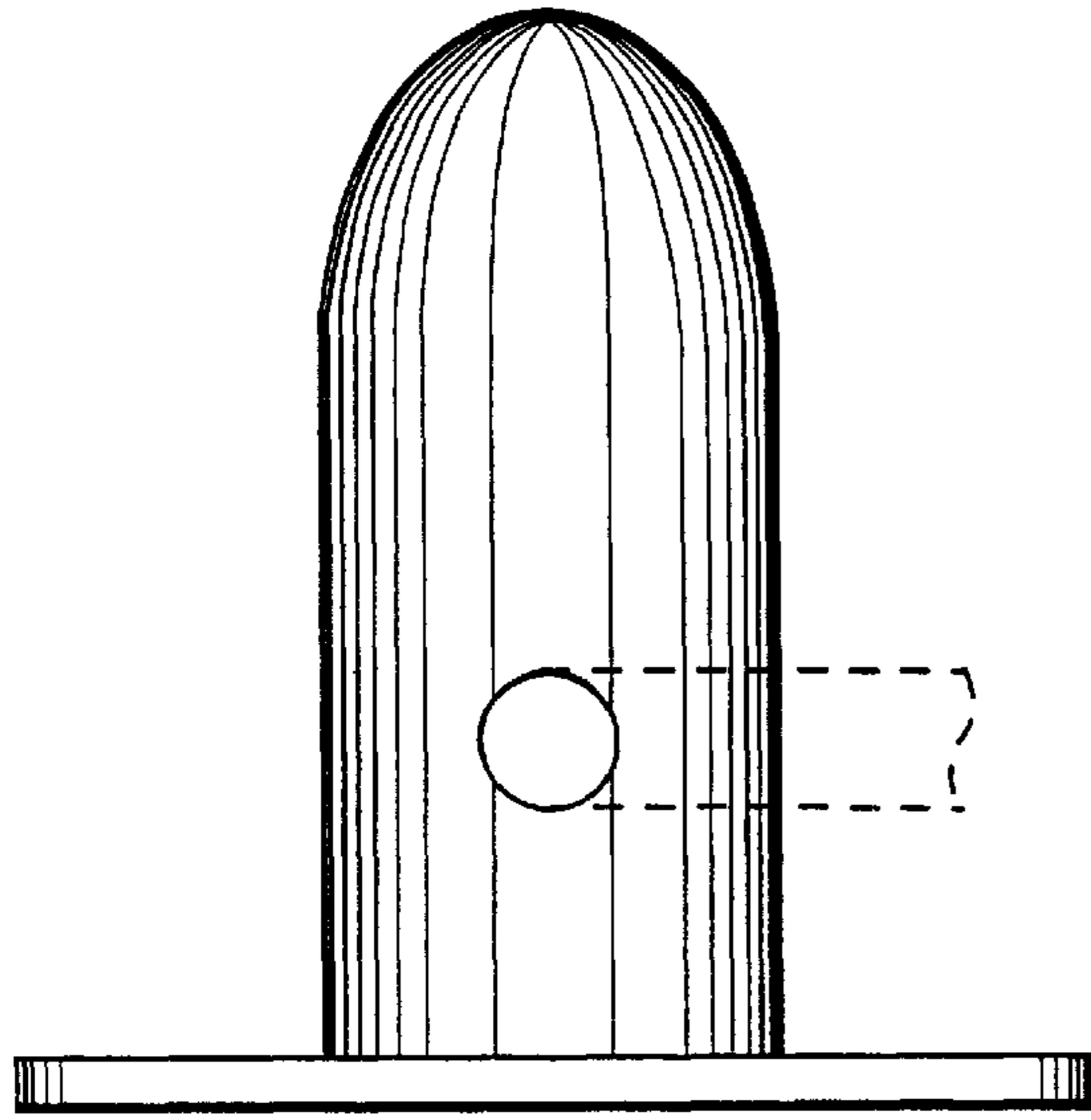


FIG. 2

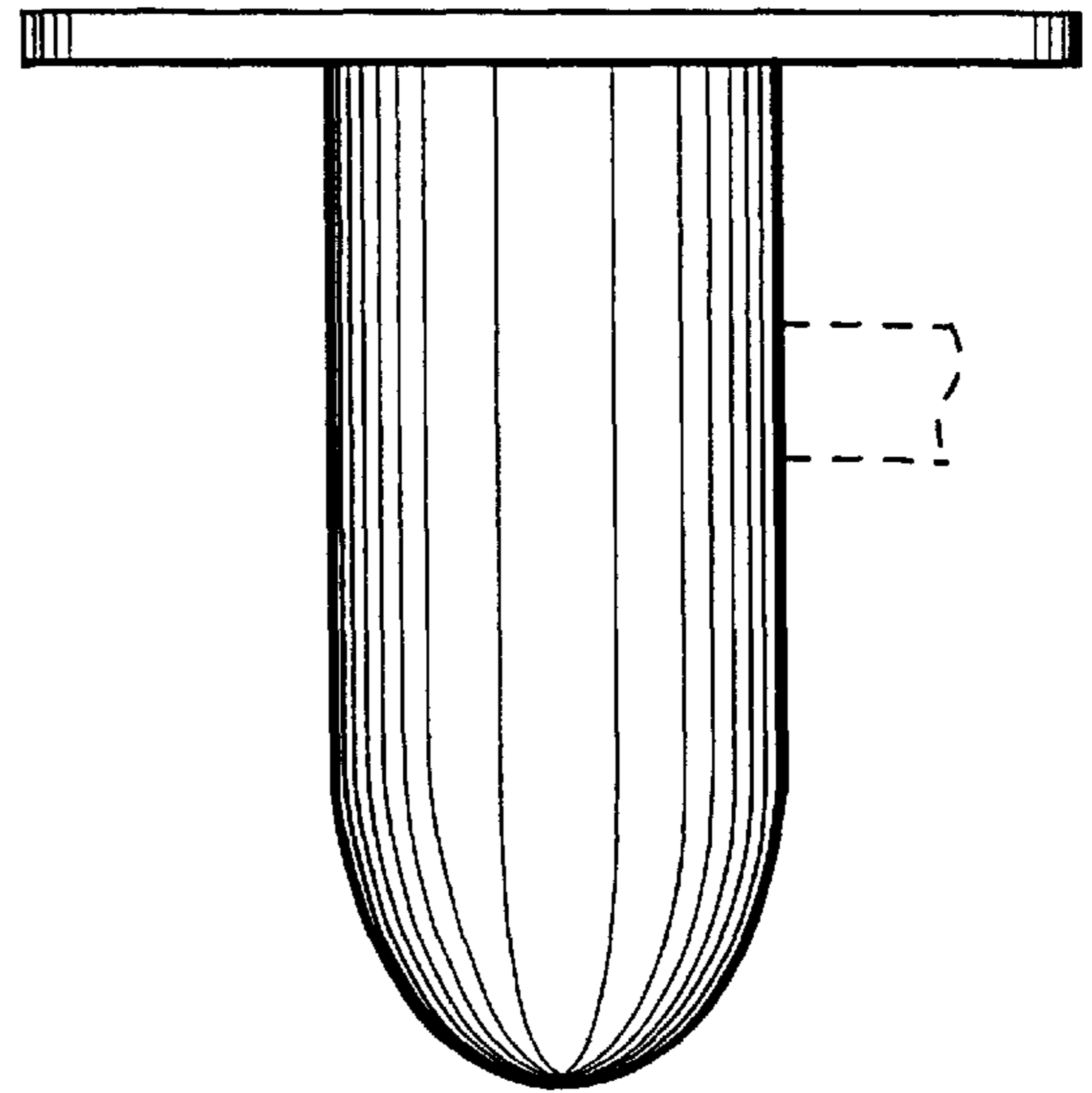


FIG. 3

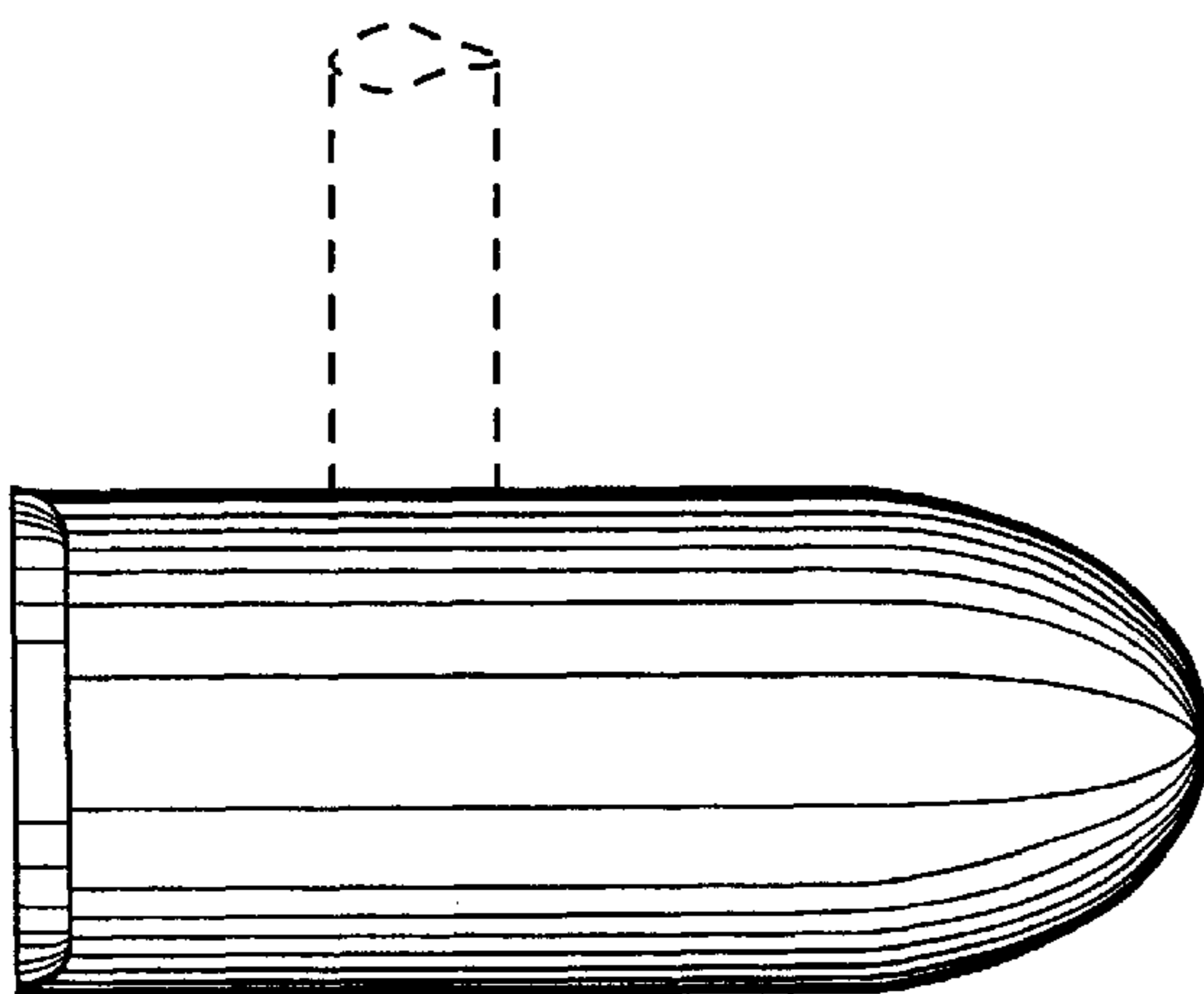


FIG. 4

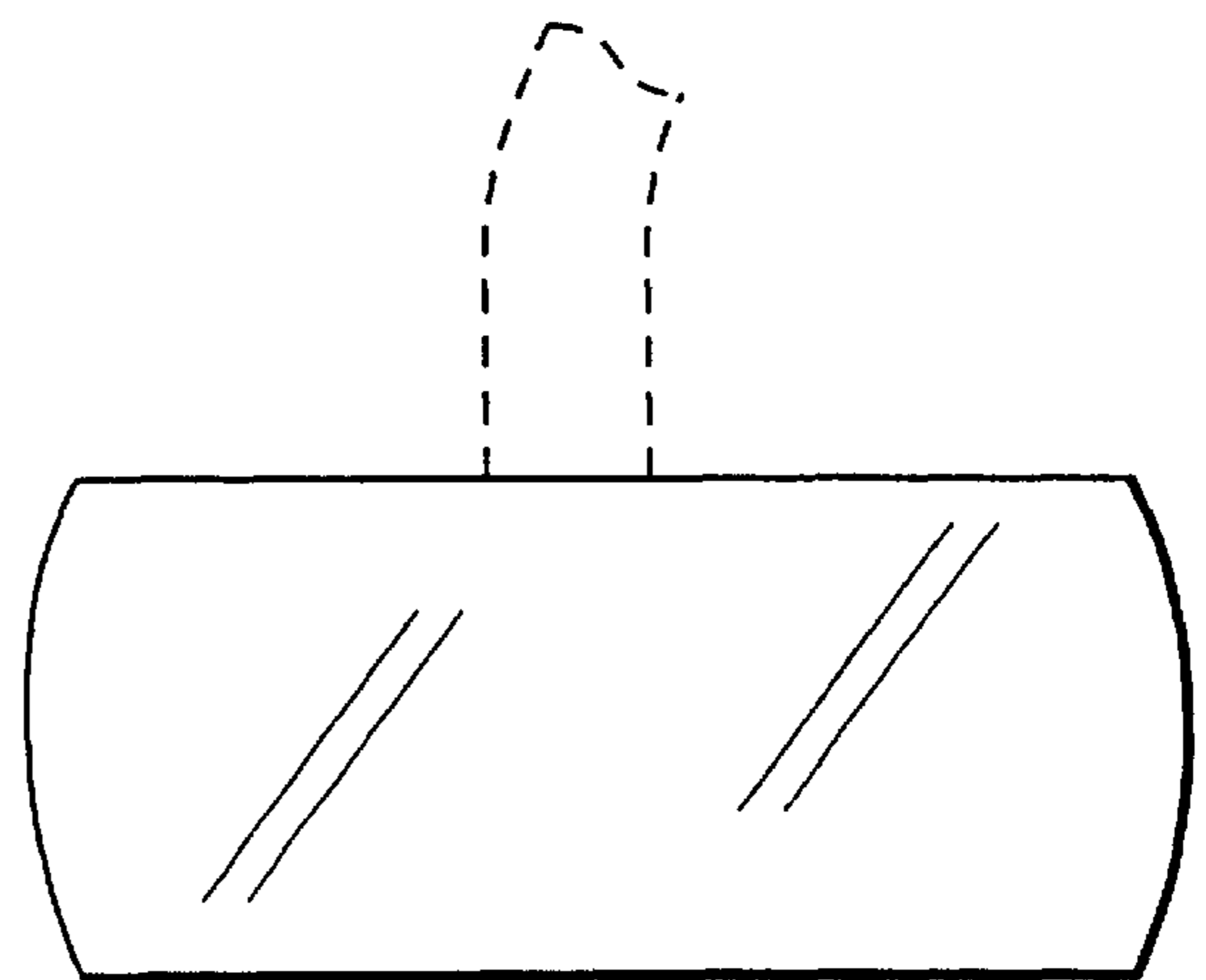
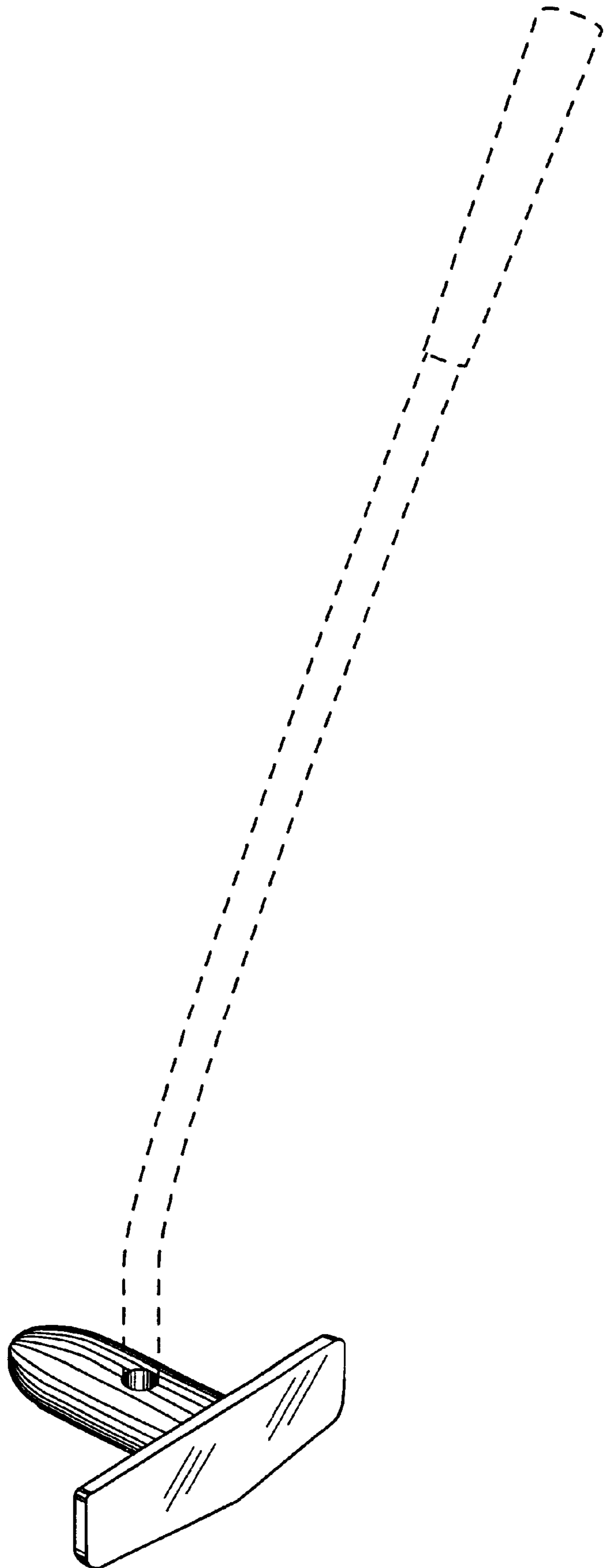


FIG. 5

FIG. 6



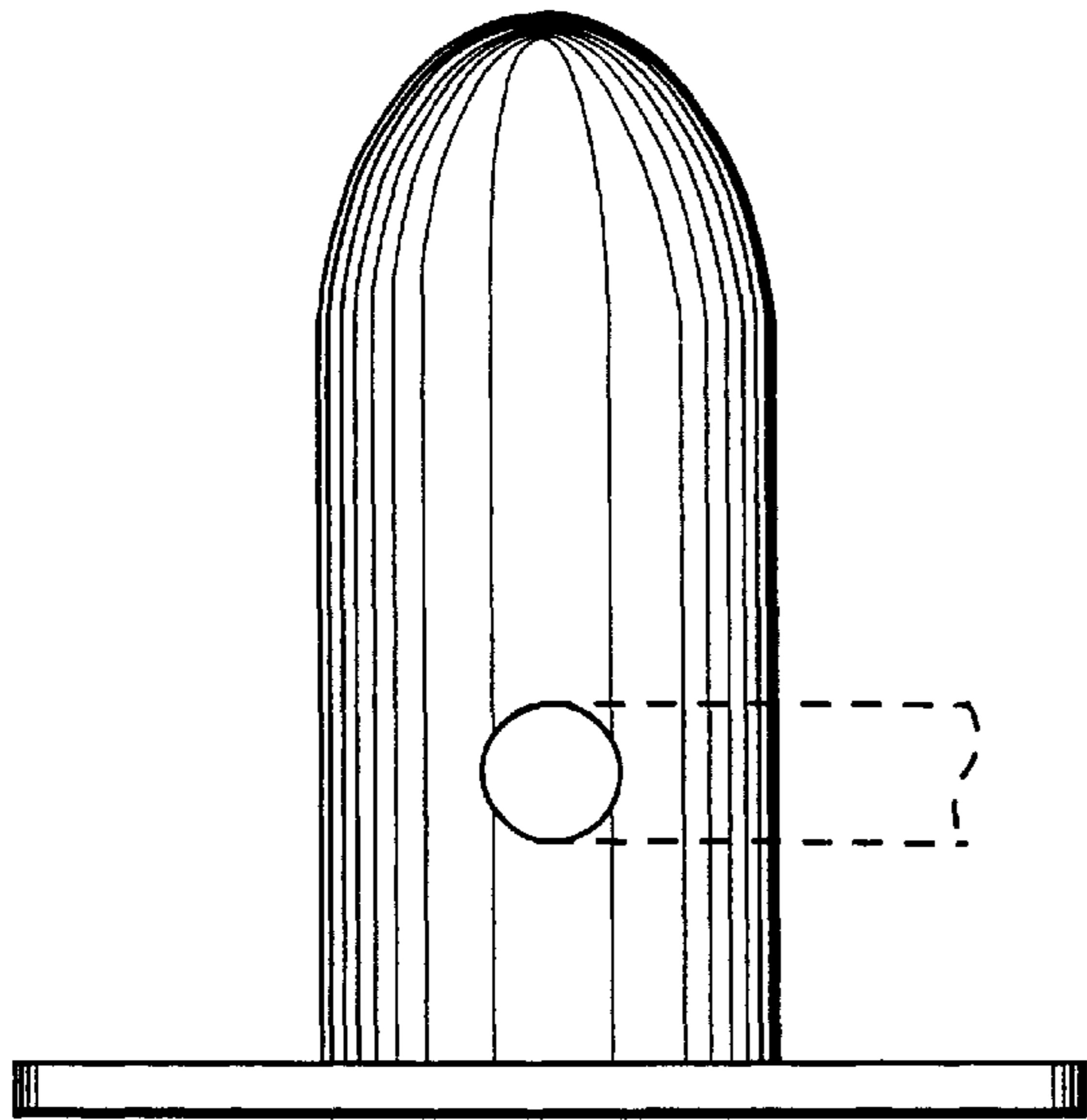


FIG. 7

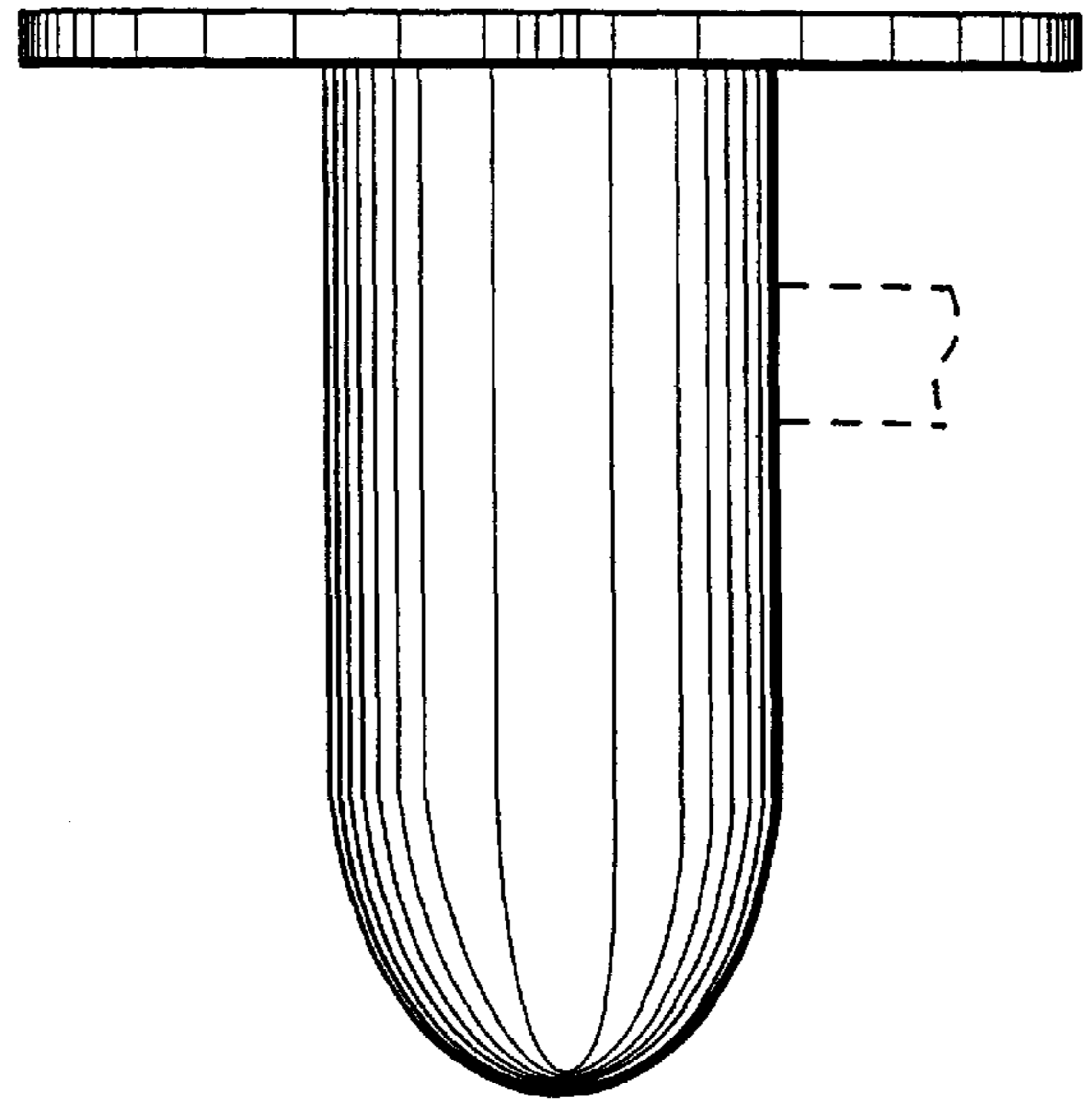


FIG. 8

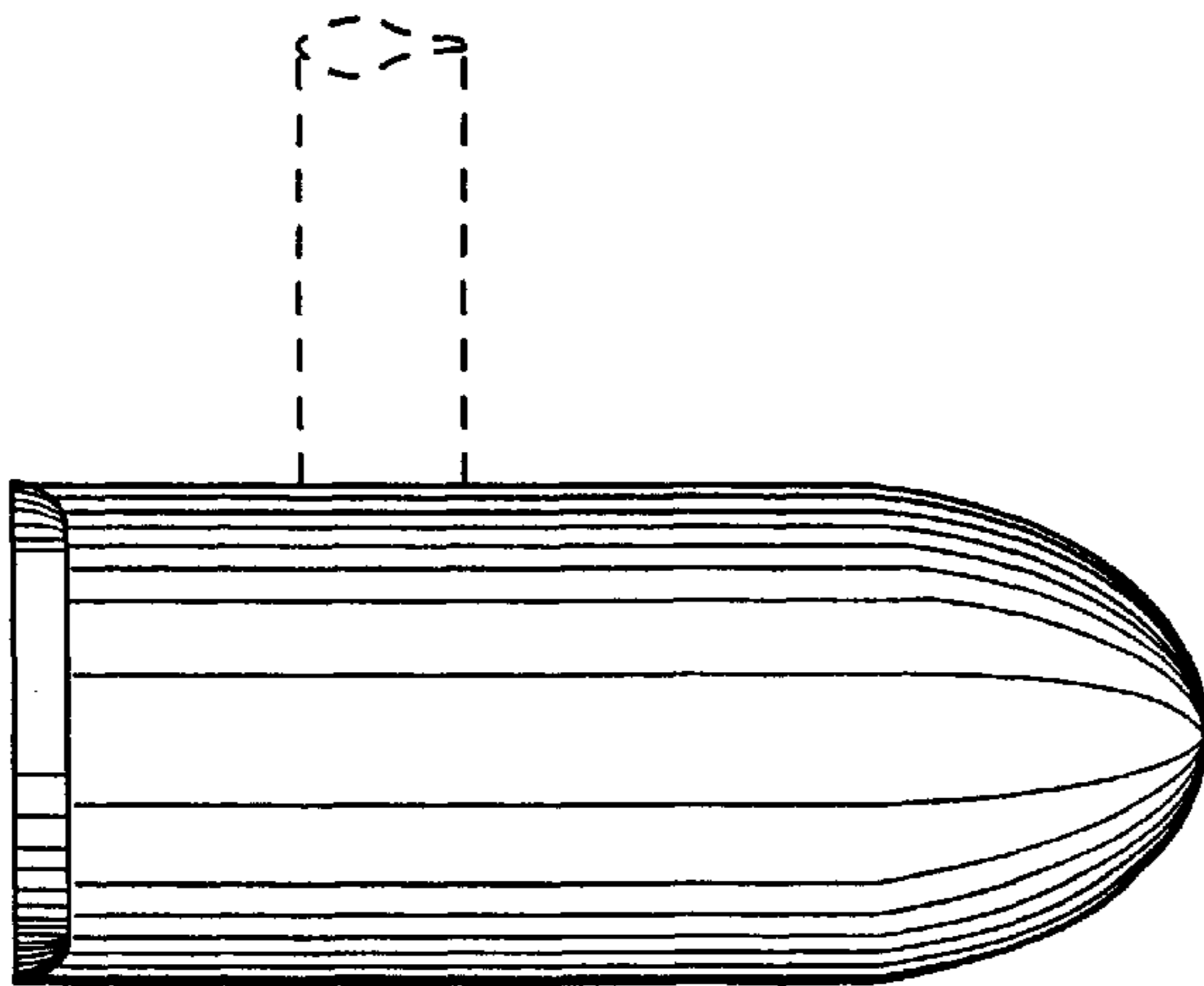


FIG. 9

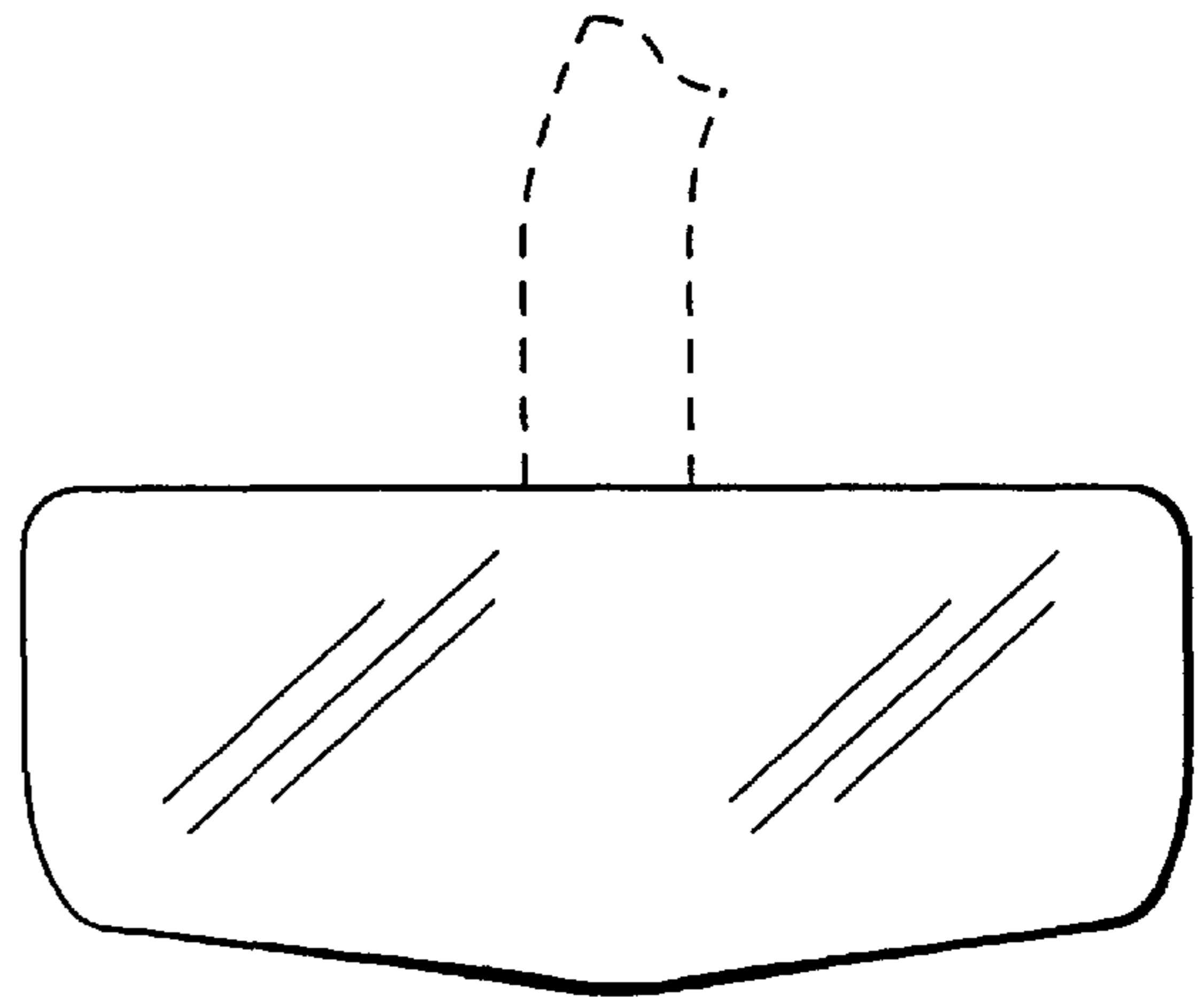


FIG. 10