



US00D465818S

(12) **United States Design Patent**
Goldberg

(10) **Patent No.:** **US D465,818 S**

(45) **Date of Patent:** **** Nov. 19, 2002**

(54) **STATIONARY EXERCISE BICYCLE HAVING
A RIGID FRAME**

(75) **Inventor:** **Johnny Goldberg**, Los Angeles, CA
(US)

(73) **Assignee:** **Mad Dogg Athletics, Inc.**, Venice, CA
(US)

(**) **Term:** **14 Years**

(21) **Appl. No.:** **29/143,916**

(22) **Filed:** **Jun. 20, 2001**

Related U.S. Application Data

(63) Continuation of application No. 09/672,197, filed on Sep. 28, 2000, which is a continuation of application No. 09/019,352, filed on Feb. 2, 1998, now Pat. No. 6,155,958, which is a continuation of application No. 08/736,976, filed on Oct. 19, 1996, now Pat. No. 5,722,916, which is a continuation of application No. 08/391,438, filed on Feb. 21, 1995, now abandoned, which is a continuation of application No. 07/969,765, filed on Oct. 30, 1992, now Pat. No. 5,423,728.

(51) **LOC (7) Cl.** **21-02**

(52) **U.S. Cl.** **D21/697; D21/694**

(58) **Field of Search** D21/662, 663,
D21/664, 665, 668, 694, 697; 482/51, 57,
58

(56) **References Cited**

U.S. PATENT DOCUMENTS

562,198 A	6/1896	Robinson	482/57
588,166 A	8/1897	McCoy	74/551.1
633,534 A	9/1899	Read	280/261
635,082 A	10/1899	Stiles	280/261
671,795 A	4/1901	Young et al.	482/57
1,336,774 A	4/1920	Cooper	482/57
1,507,554 A	9/1924	Cooper	482/57
1,636,327 A	7/1927	Roe	424/144
3,062,204 A	11/1962	Stefano	128/25
3,511,097 A	5/1970	Corwin	73/379.07
D251,747 S	* 5/1979	Valentine et al.	D21/697
4,188,030 A	2/1980	Hooper	482/59
D280,117 S	* 8/1985	Collins	D21/697

D280,118 S	* 8/1985	Collins	D21/697
4,577,860 A	3/1986	Matias	482/57
D284,596 S	* 7/1986	McNeil	D21/697
4,632,386 A	12/1986	Beech	482/57
D289,782 S	* 5/1987	Szymski et al.	D21/697
D291,462 S	8/1987	Aalto	D21/194
D292,304 S	* 10/1987	Ostrom	D21/697
4,768,777 A	9/1988	Yang	482/57
4,772,069 A	9/1988	Szymski	297/195

(List continued on next page.)

Primary Examiner—Philip S. Hyder

(74) *Attorney, Agent, or Firm*—Lyon & Lyon LLP

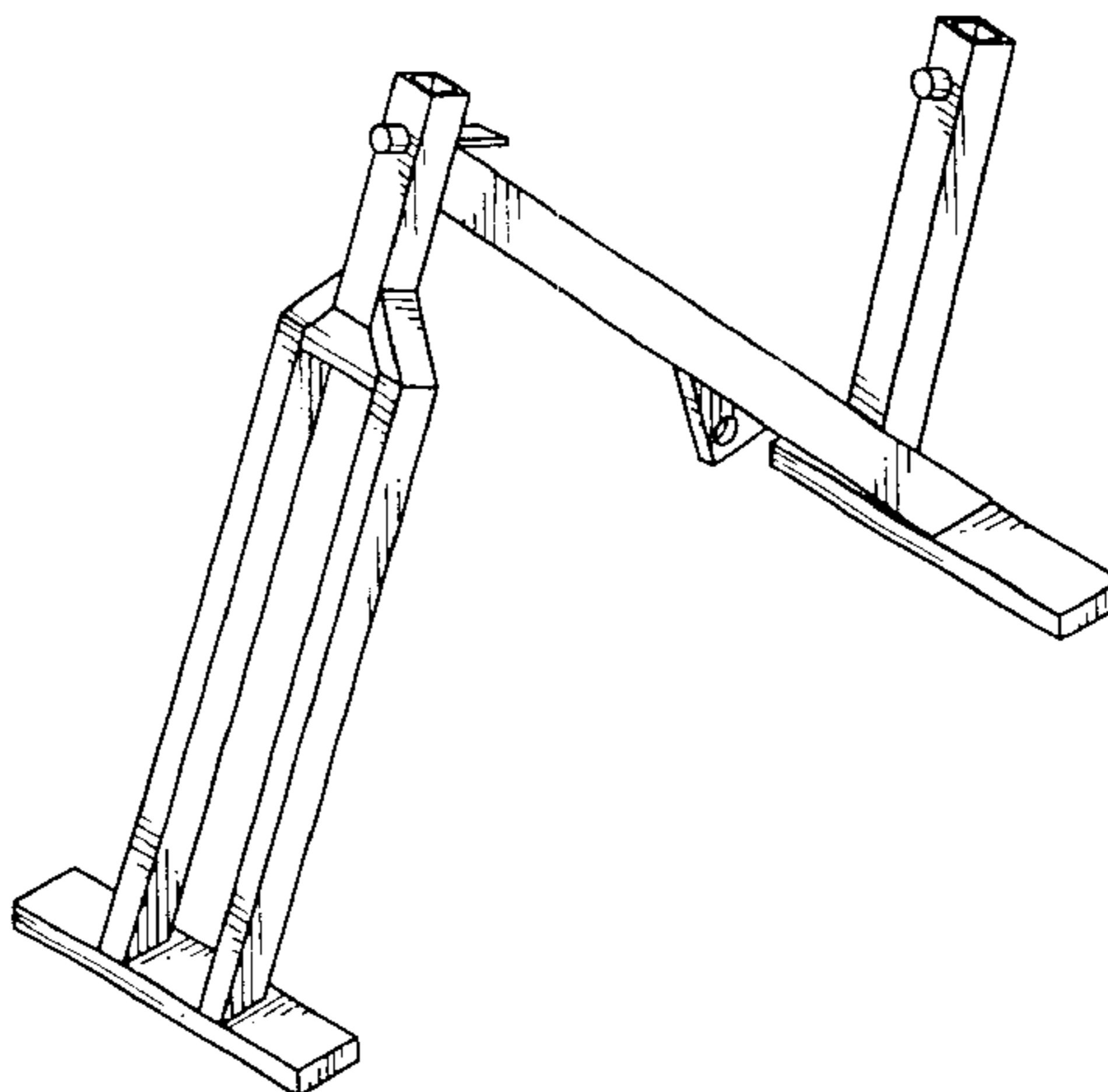
(57) **CLAIM**

The ornamental design for a stationary exercise bicycle having a rigid frame, as shown and described.

DESCRIPTION

FIG. 1 is a perspective view of a stationary exercise bicycle having a rigid frame showing my new design;
 FIG. 2 is a right side view of FIG. 1, the left side view being a mirror image thereof;
 FIG. 3 is a top view of FIG. 1;
 FIG. 4 is a front view of FIG. 1;
 FIG. 5 is a rear view of FIG. 1;
 FIG. 6 is a perspective view of an alternative embodiment of a stationary exercise bicycle having a rigid frame showing my new design;
 FIG. 7 is a right side view of FIG. 6, the left side view being a mirror image thereof;
 FIG. 8 is a top view of FIG. 6;
 FIG. 9 is a front view of FIG. 6;
 FIG. 10 is a rear view of FIG. 6;
 FIG. 11 is a perspective view of an alternative embodiment of a stationary exercise bicycle having a rigid frame showing my new design;
 FIG. 12 is a right side view of FIG. 11, the left side view being a mirror image thereof;
 FIG. 13 is a top view of FIG. 11;
 FIG. 14 is a front view of FIG. 11; and,
 FIG. 15 is a rear view of FIG. 11.

1 Claim, 3 Drawing Sheets



US D465,818 S

Page 2

U.S. PATENT DOCUMENTS

4,824,102 A	4/1989	Lo	482/57	5,145,477 A	9/1992	Han	482/57
4,880,225 A	11/1989	Lucas et al.	482/57	5,232,422 A	8/1993	Bishop, Jr.	482/57
4,902,001 A	2/1990	Balbo	482/62	5,336,147 A	8/1994	Sweeney, III	482/57
4,915,374 A	4/1990	Watkins	482/57	5,423,728 A	6/1995	Goldberg	482/57
4,936,570 A	6/1990	Szymiski et al.	482/57	5,716,304 A *	2/1998	Wang et al.	D21/697
5,000,469 A	3/1991	Smith	280/261	D407,767 S *	4/1999	Chang	D21/697

* cited by examiner

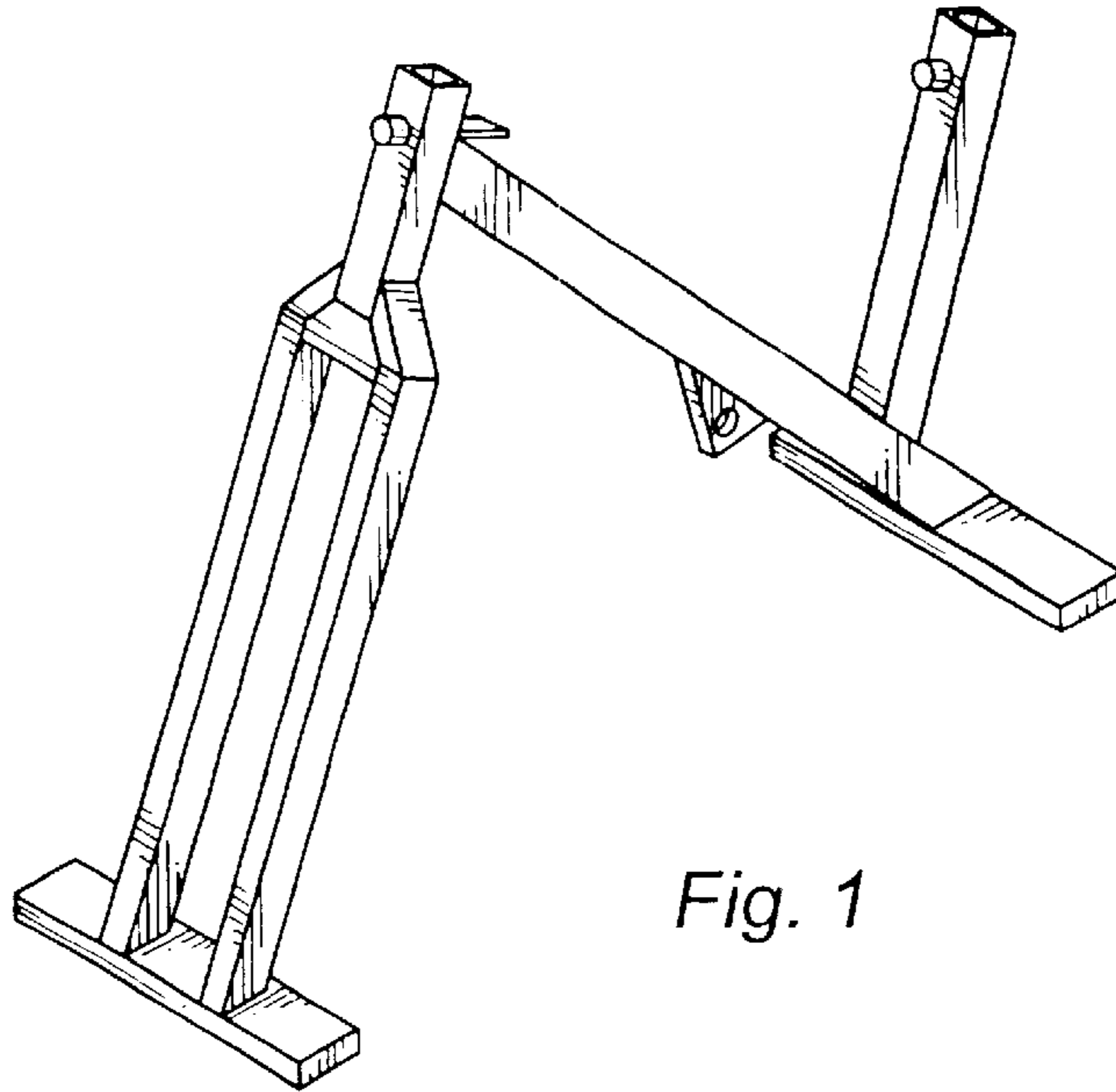


Fig. 1

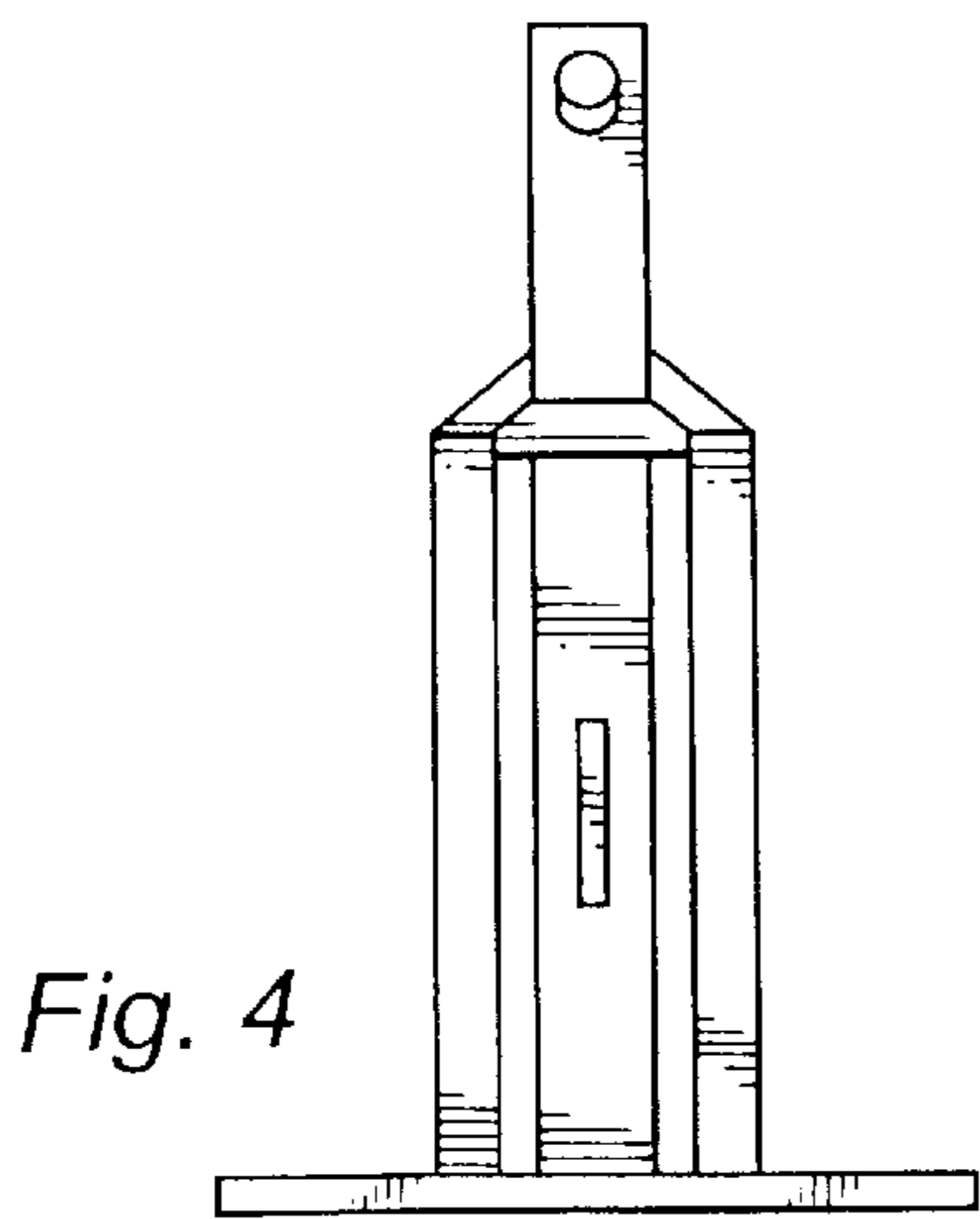


Fig. 4

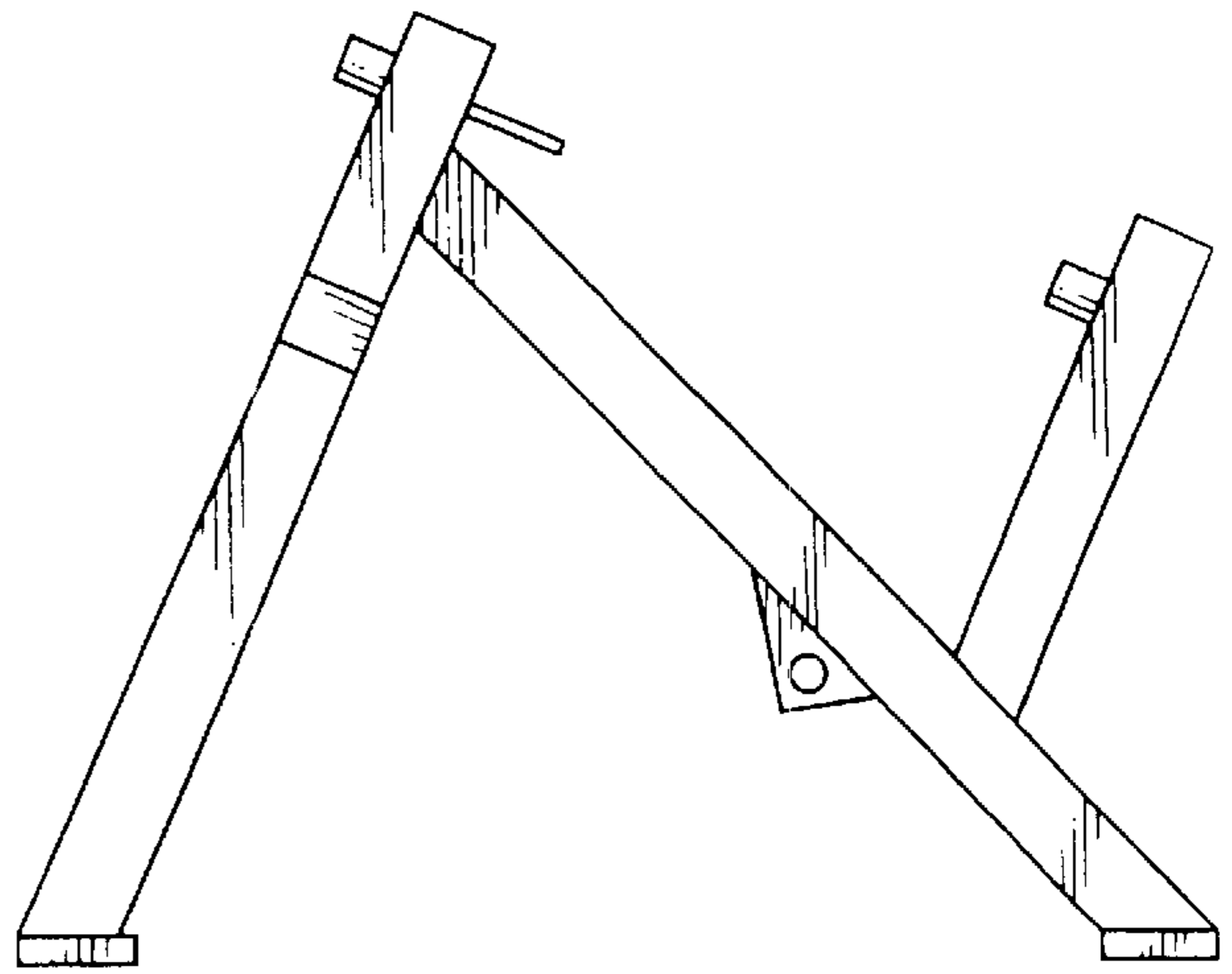


Fig. 2

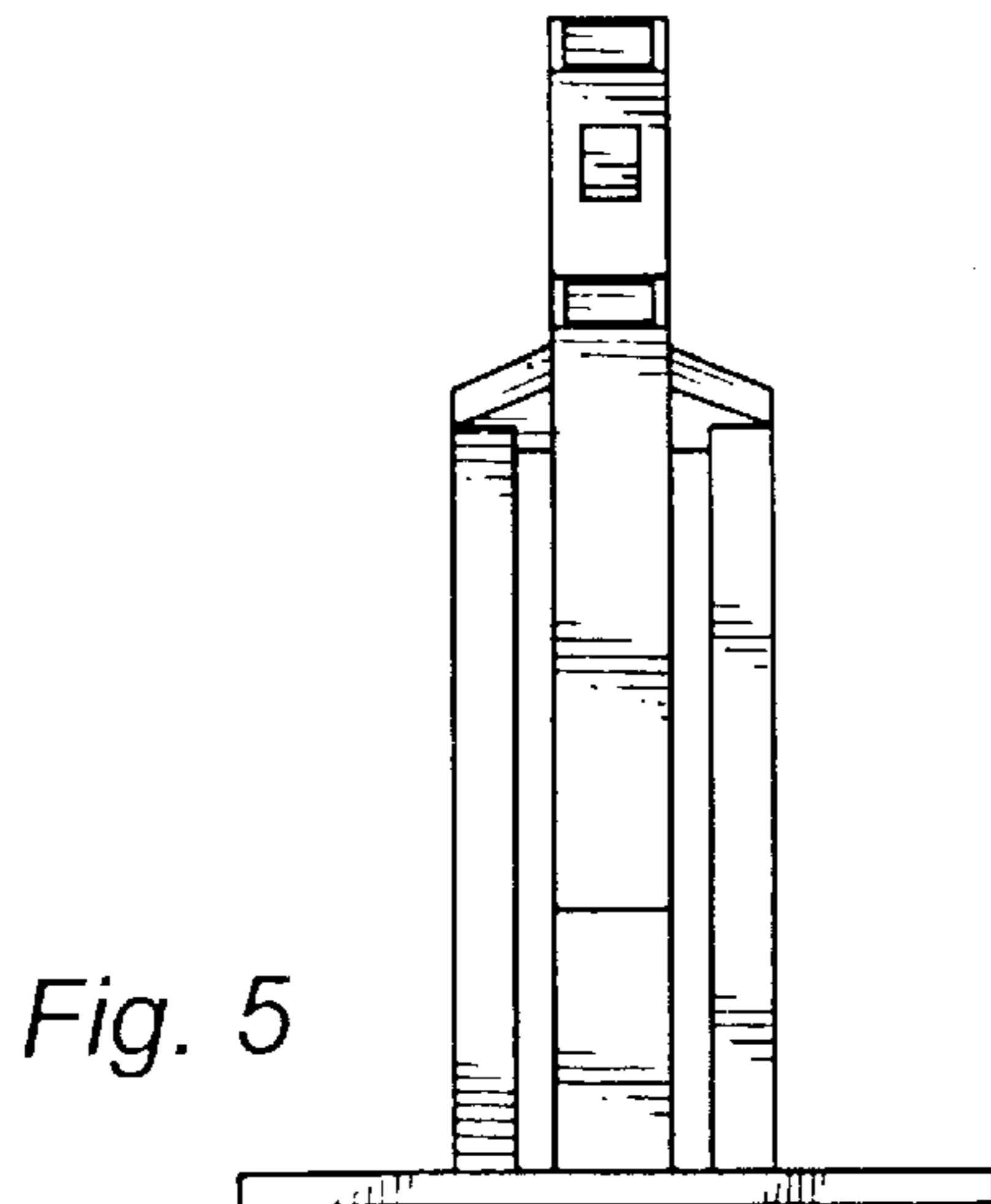


Fig. 5

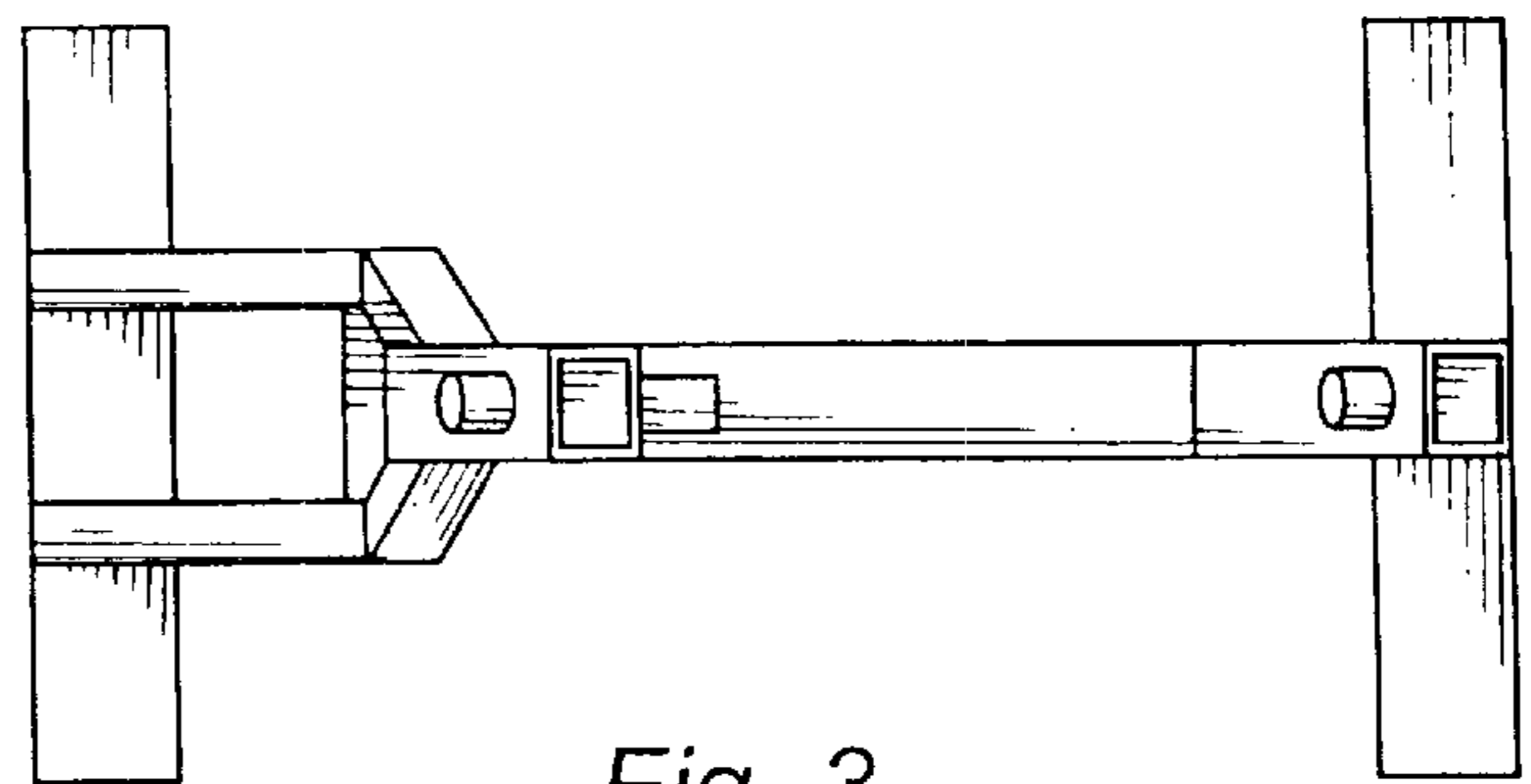


Fig. 3

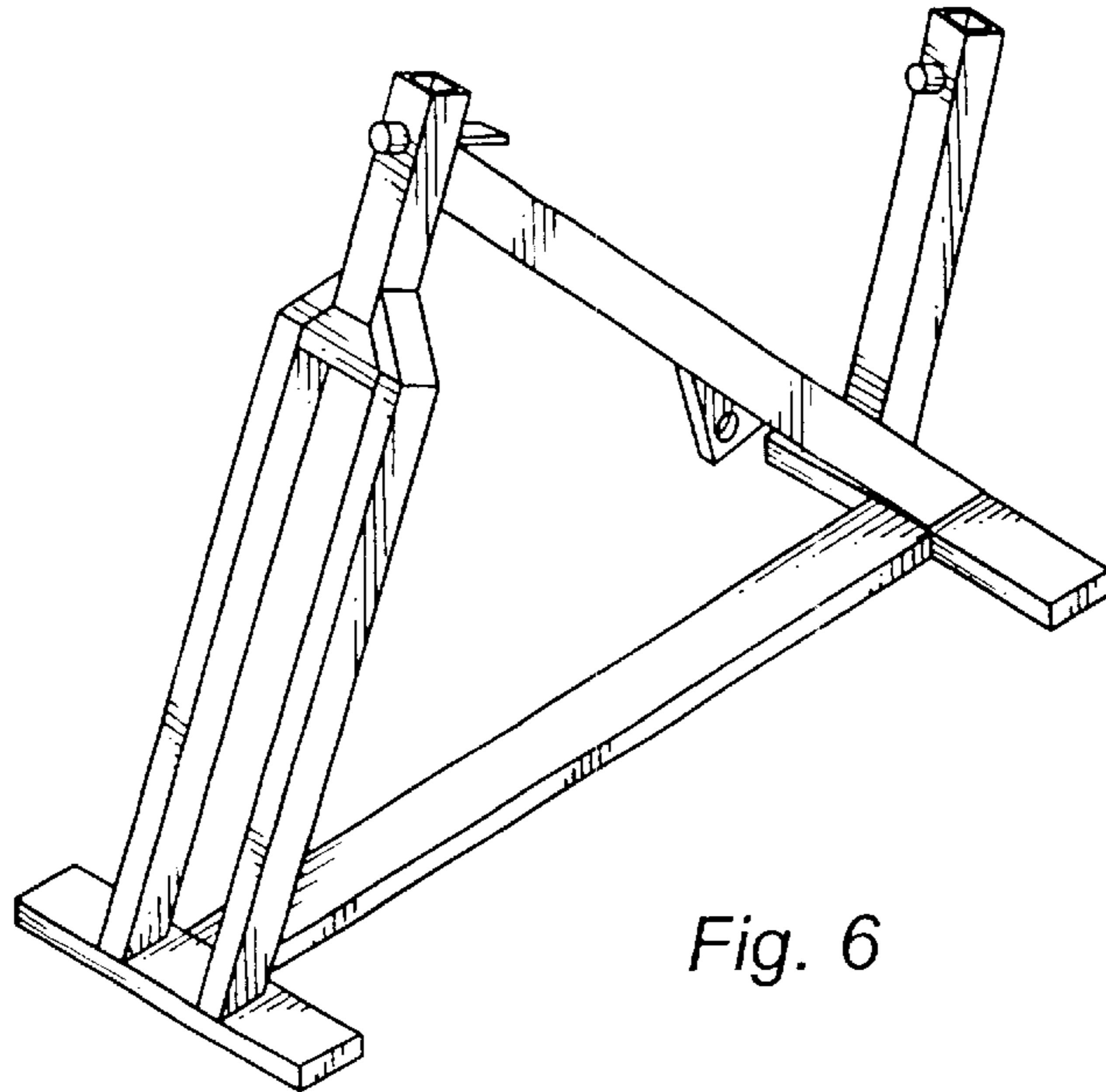


Fig. 6

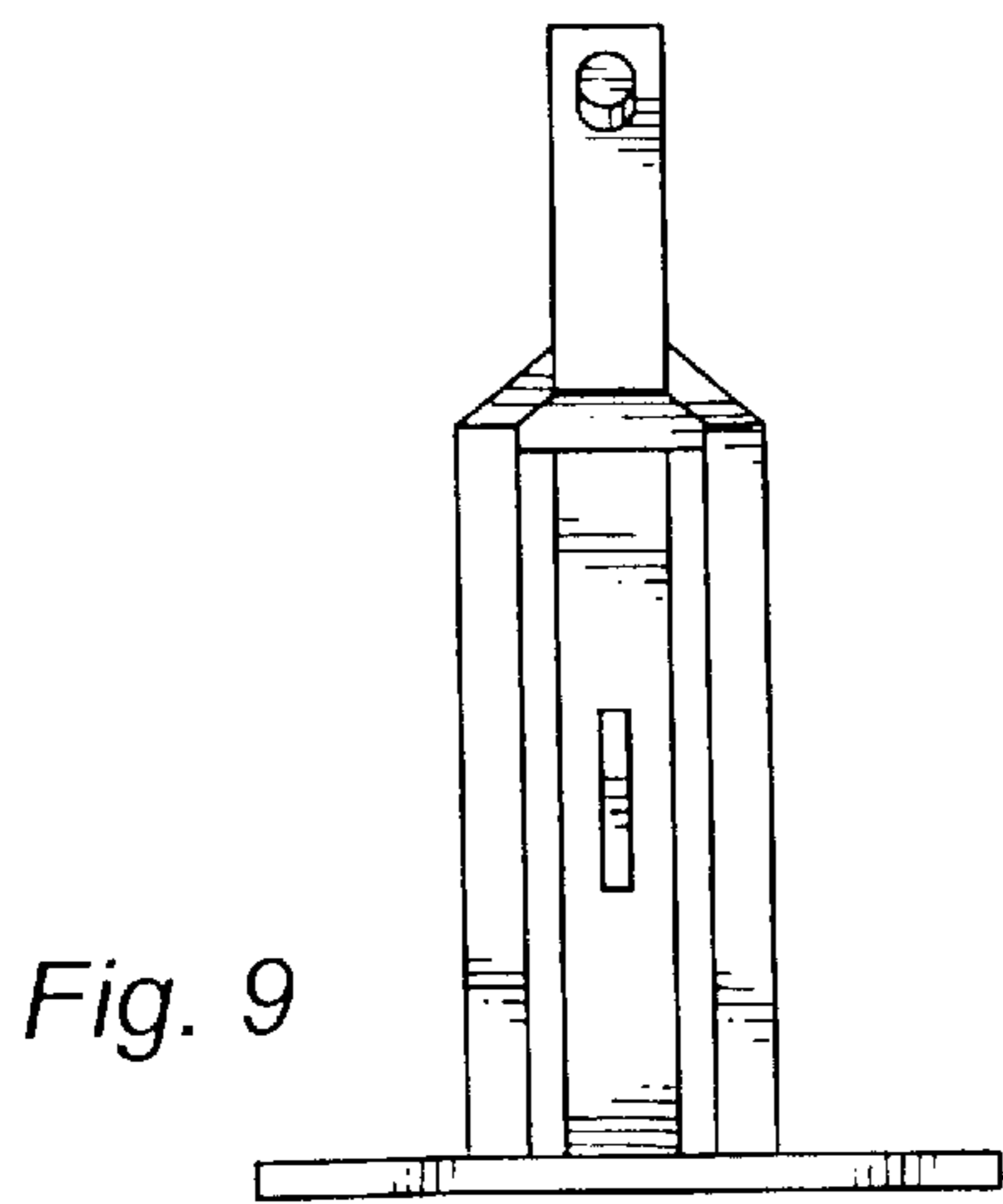


Fig. 9

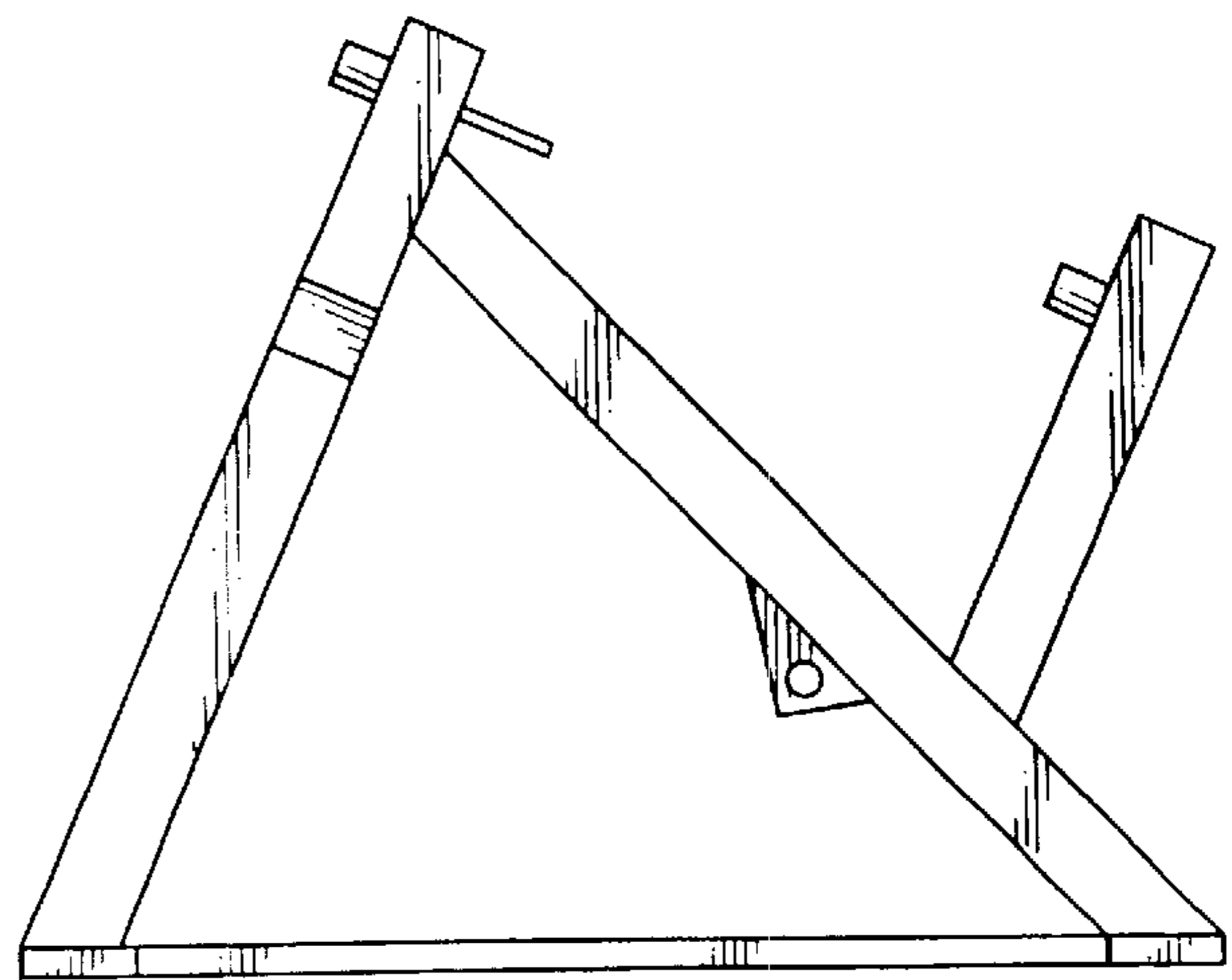


Fig. 7

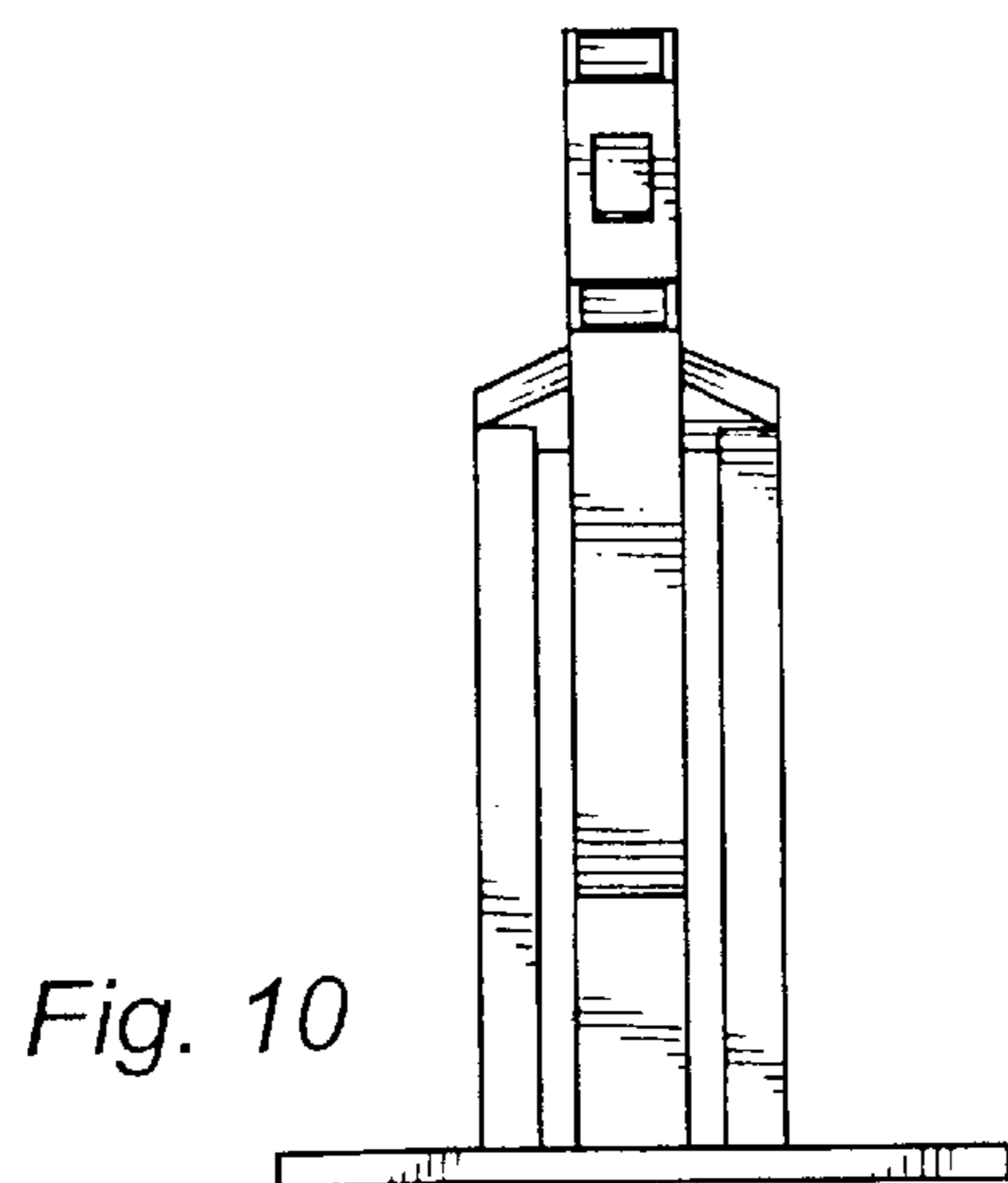


Fig. 10

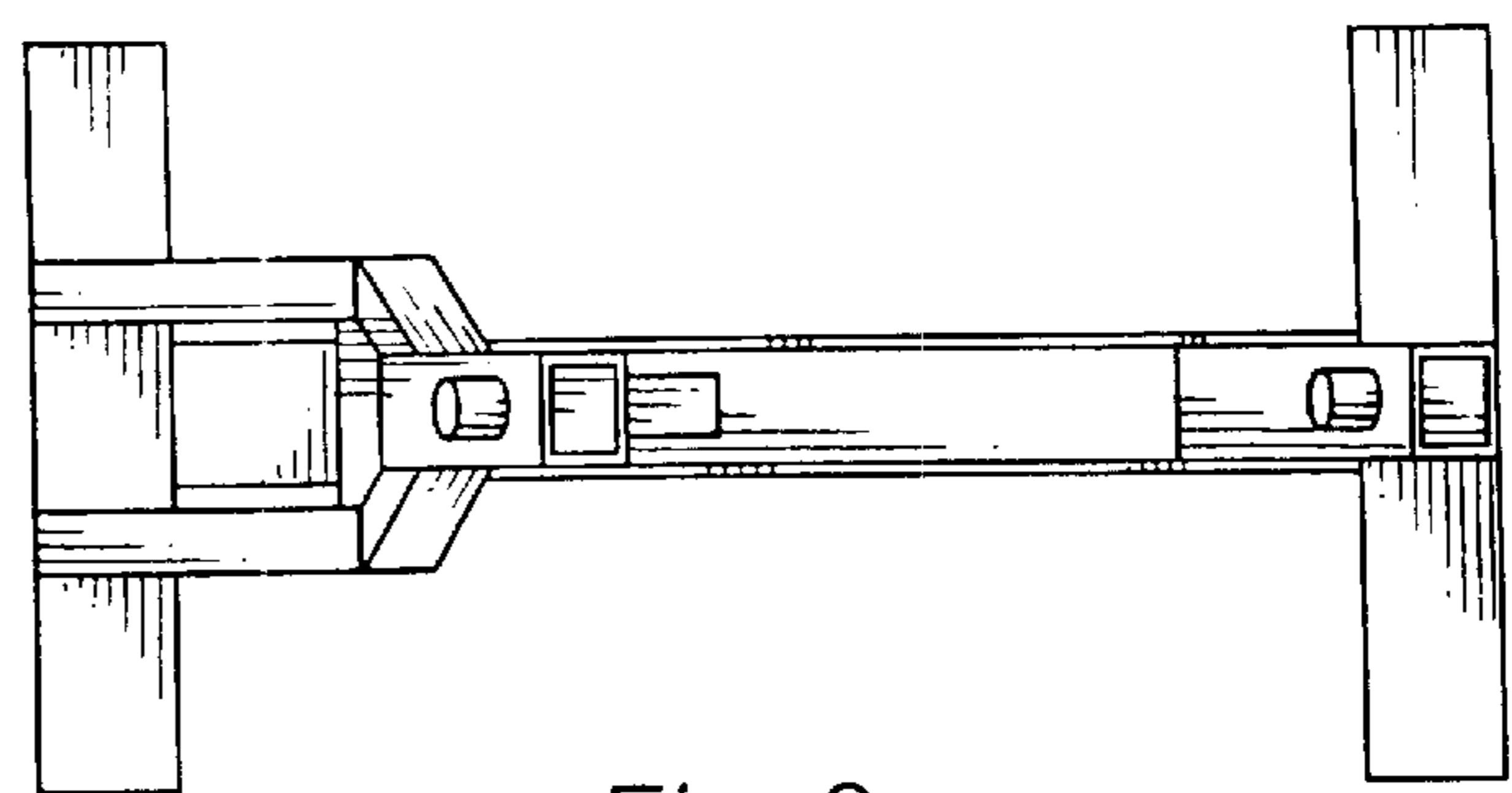


Fig. 8

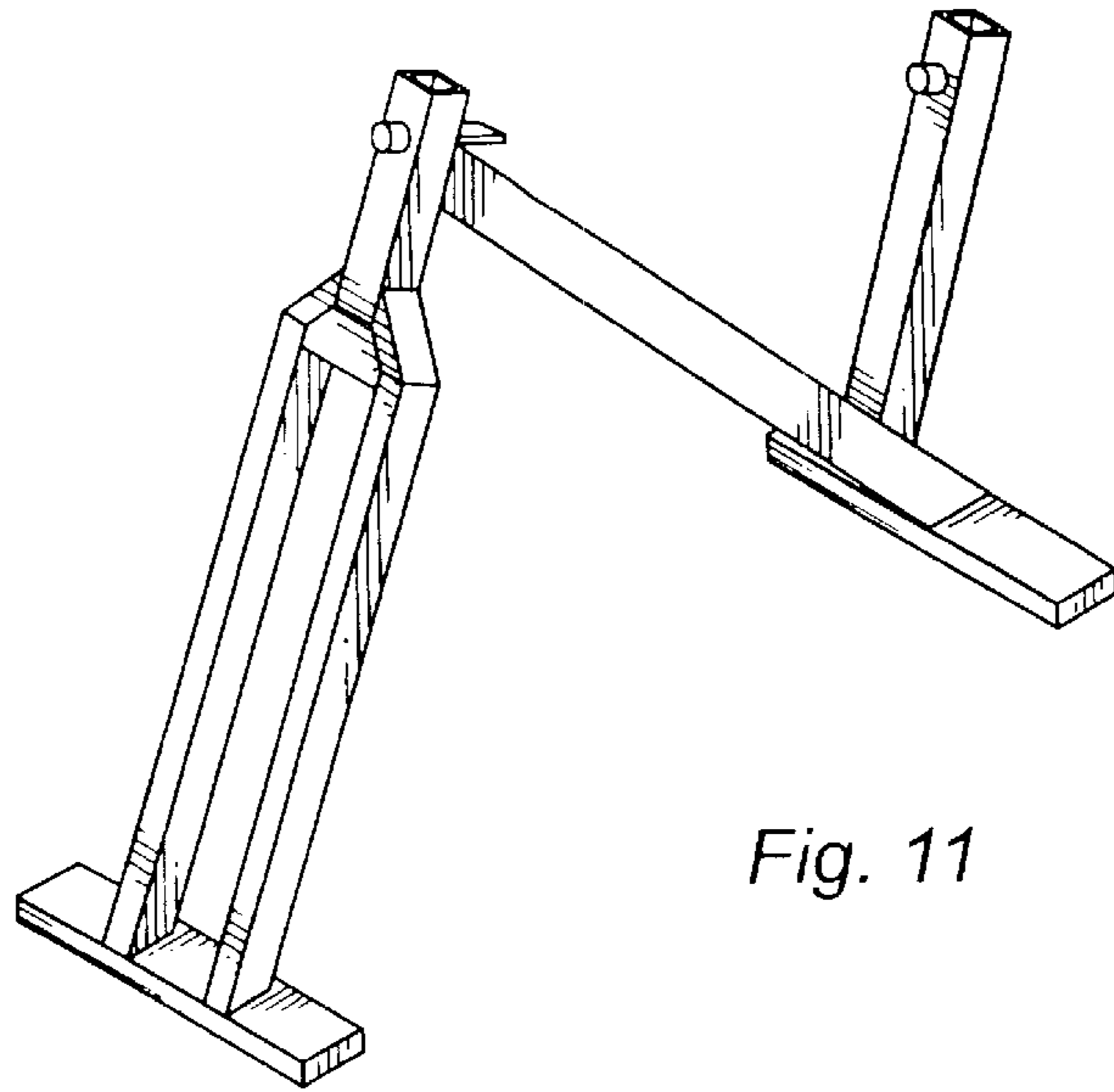


Fig. 11

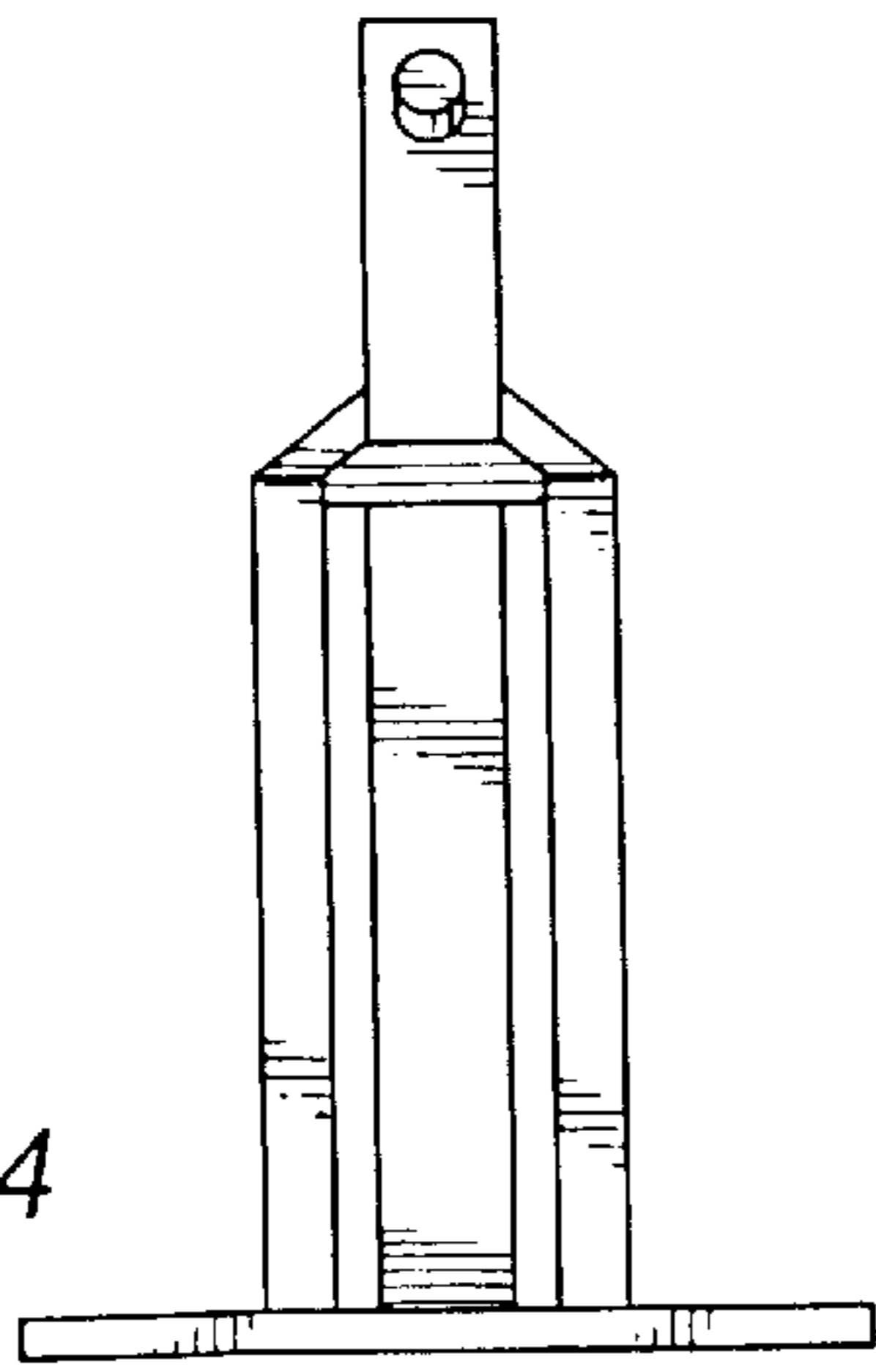


Fig. 14

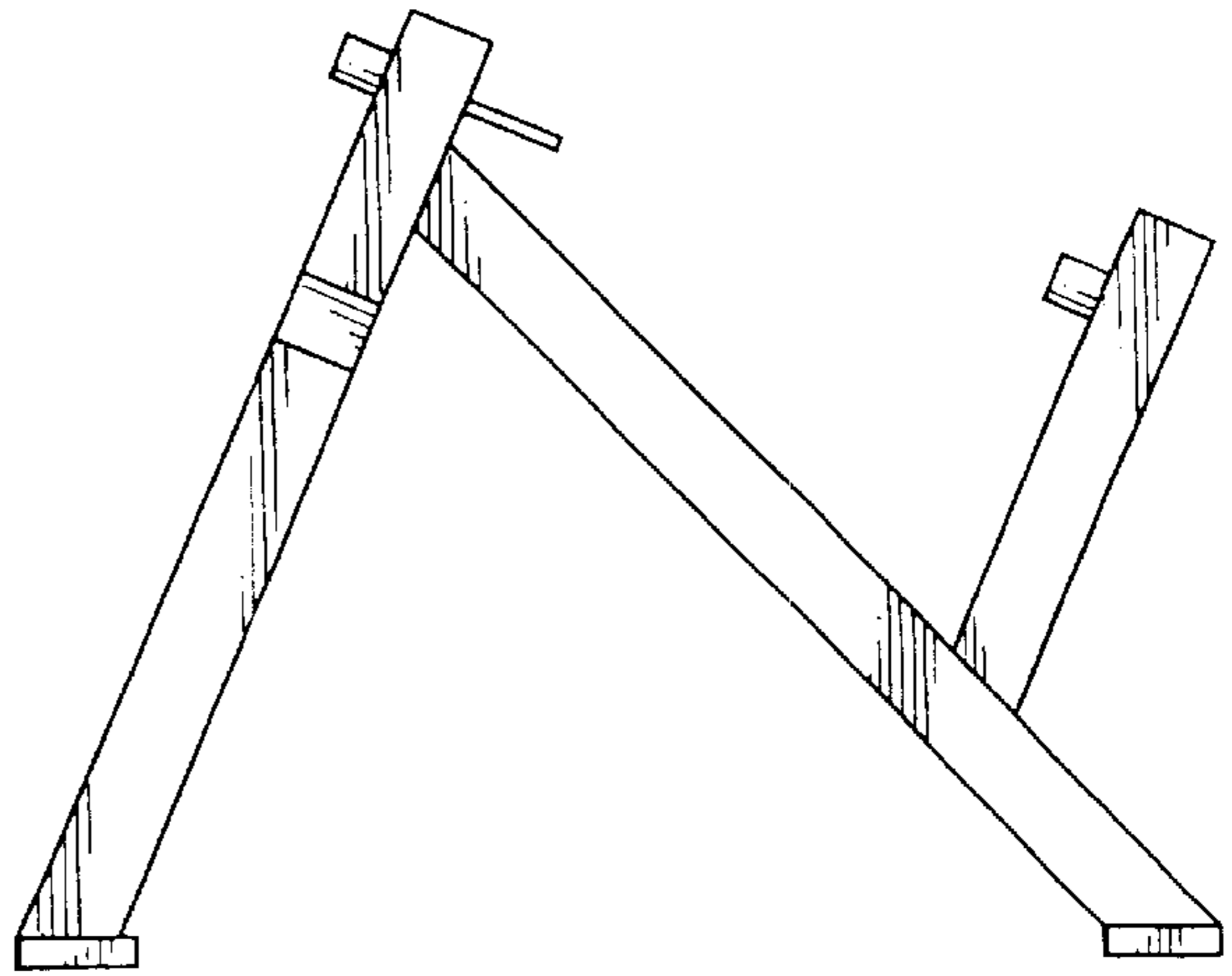


Fig. 12

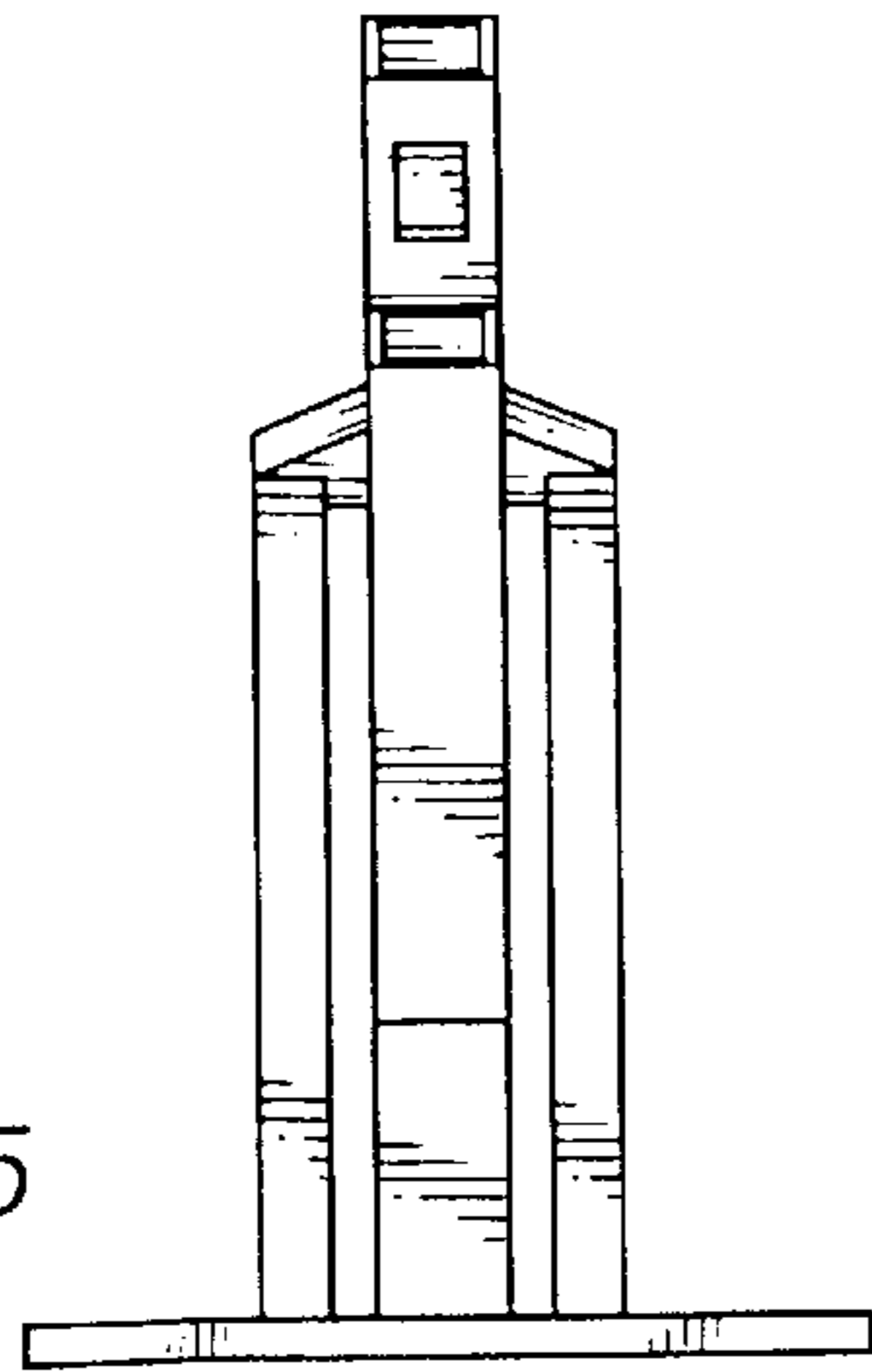


Fig. 15

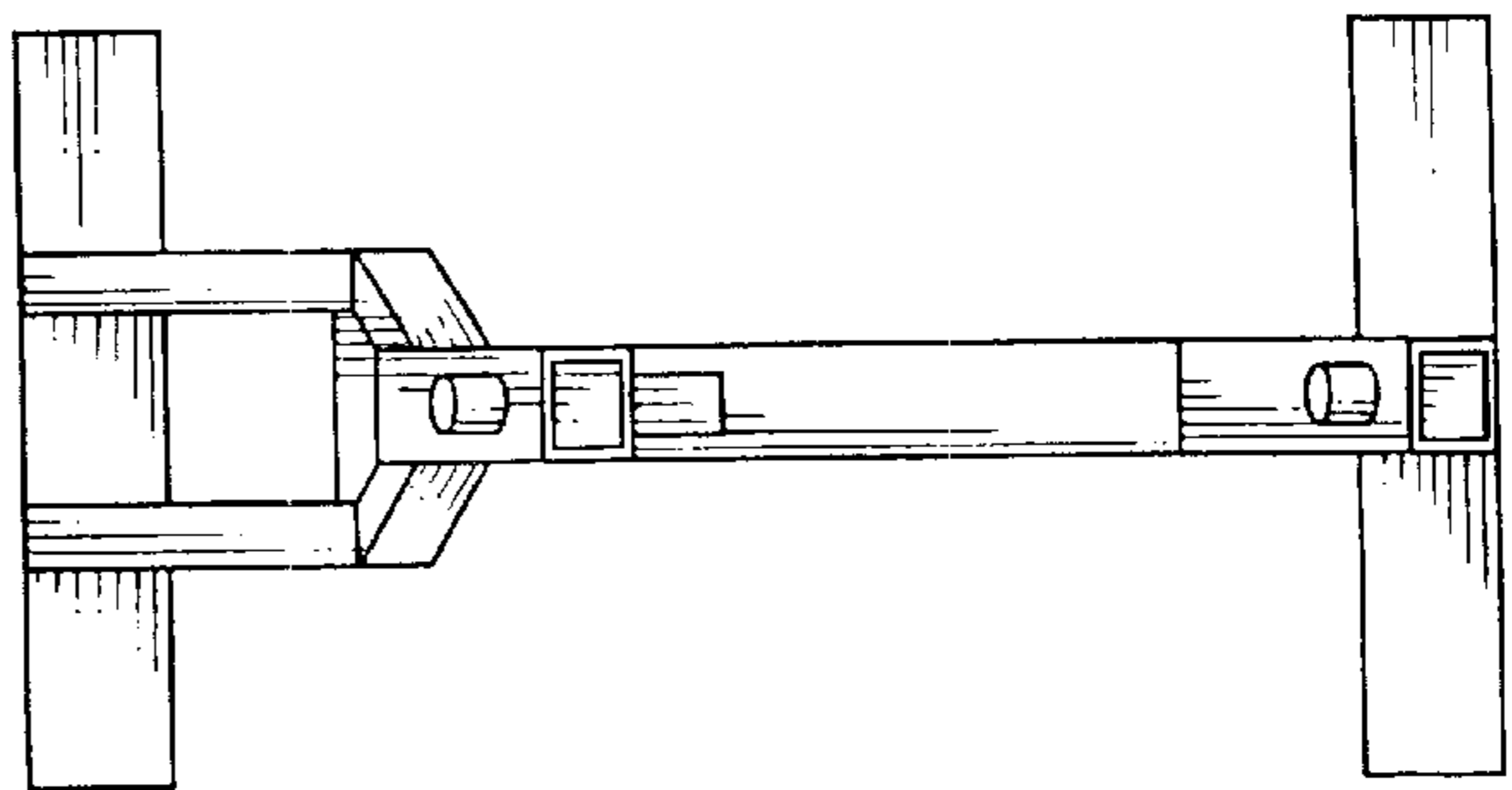


Fig. 13