



US00D465805S

(12) **United States Design Patent**
Hu

(10) **Patent No.:** **US D465,805 S**

(45) **Date of Patent:** **** Nov. 19, 2002**

(54) **TOUCH-SENSITIVE SCREEN STYLUS**

(75) **Inventor:** **Cho-Kai Hu, Shin-Tien (TW)**

(73) **Assignee:** **Pro Eton Corporation, Taipei (TW)**

(**) **Term:** **14 Years**

(21) **Appl. No.:** **29/153,858**

(22) **Filed:** **Jan. 15, 2002**

(51) **LOC (7) Cl.** **19-06**

(52) **U.S. Cl.** **D19/36; D19/44; D19/48;**
D14/411

(58) **Field of Search** **D19/35, 36, 41-51,**
D19/53-58, 81-85; D14/411; 401/6, 7,
88, 52, 195, 202, 207, 209, 213, 29-34,
37; 178/19.01-19.07, 18.01; 345/179-183;
73/862.68, 865.4

(56) **References Cited**

U.S. PATENT DOCUMENTS

- D81,784 S * 8/1930 Kahn D19/36
- D84,146 S * 5/1931 Kahn D19/36
- 4,883,926 A * 11/1989 Baldwin 178/19.01
- 5,571,997 A * 11/1996 Gray et al. 178/19.01
- 5,576,502 A * 11/1996 Fukushima et al. 73/862.68

- 5,633,471 A * 5/1997 Fukushima 73/865.4
- 5,756,941 A * 5/1998 Snell 178/19.01
- 5,850,059 A * 12/1998 Yoshimura 178/19.01
- 5,895,895 A * 4/1999 Ono et al. 178/19.03
- D417,206 S * 11/1999 Hirota D14/114
- D456,842 S * 5/2002 Ono D19/36

* cited by examiner

Primary Examiner—Martie K. Holtje

(74) *Attorney, Agent, or Firm*—Bacon & Thomas, PLLC

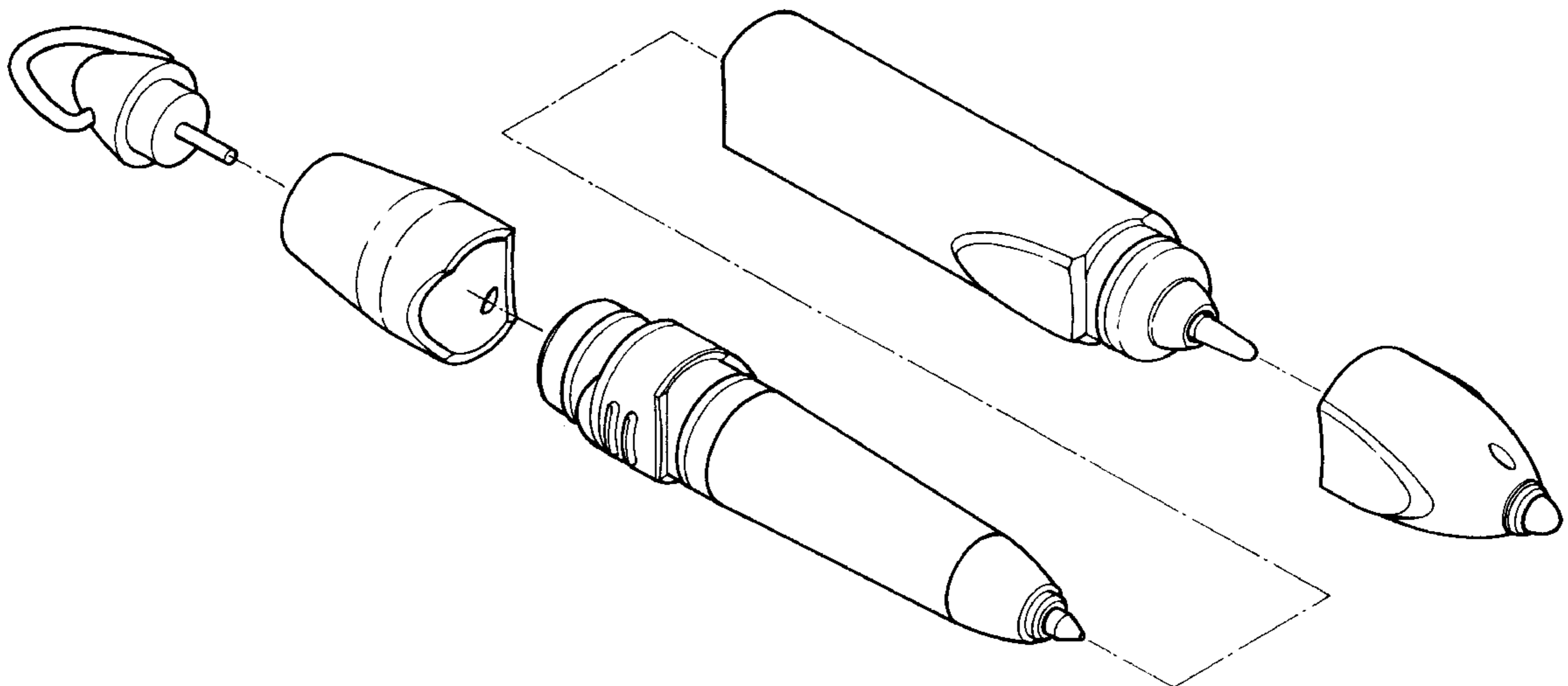
(57) **CLAIM**

The ornamental design for a touch-sensitive screen stylus, as shown and described.

DESCRIPTION

FIG. 1 is a right side perspective view of a touch-sensitive screen stylus showing my new design;
 FIG. 2 is a front view thereof;
 FIG. 3 is a rear view thereof;
 FIG. 4 is a bottom plan view thereof;
 FIG. 5 is a top plan view thereof;
 FIG. 6 is a left side view thereof;
 FIG. 7 is a right side view thereof; and,
 FIG. 8 is a perspective view thereof, in an exploded condition.

1 Claim, 5 Drawing Sheets



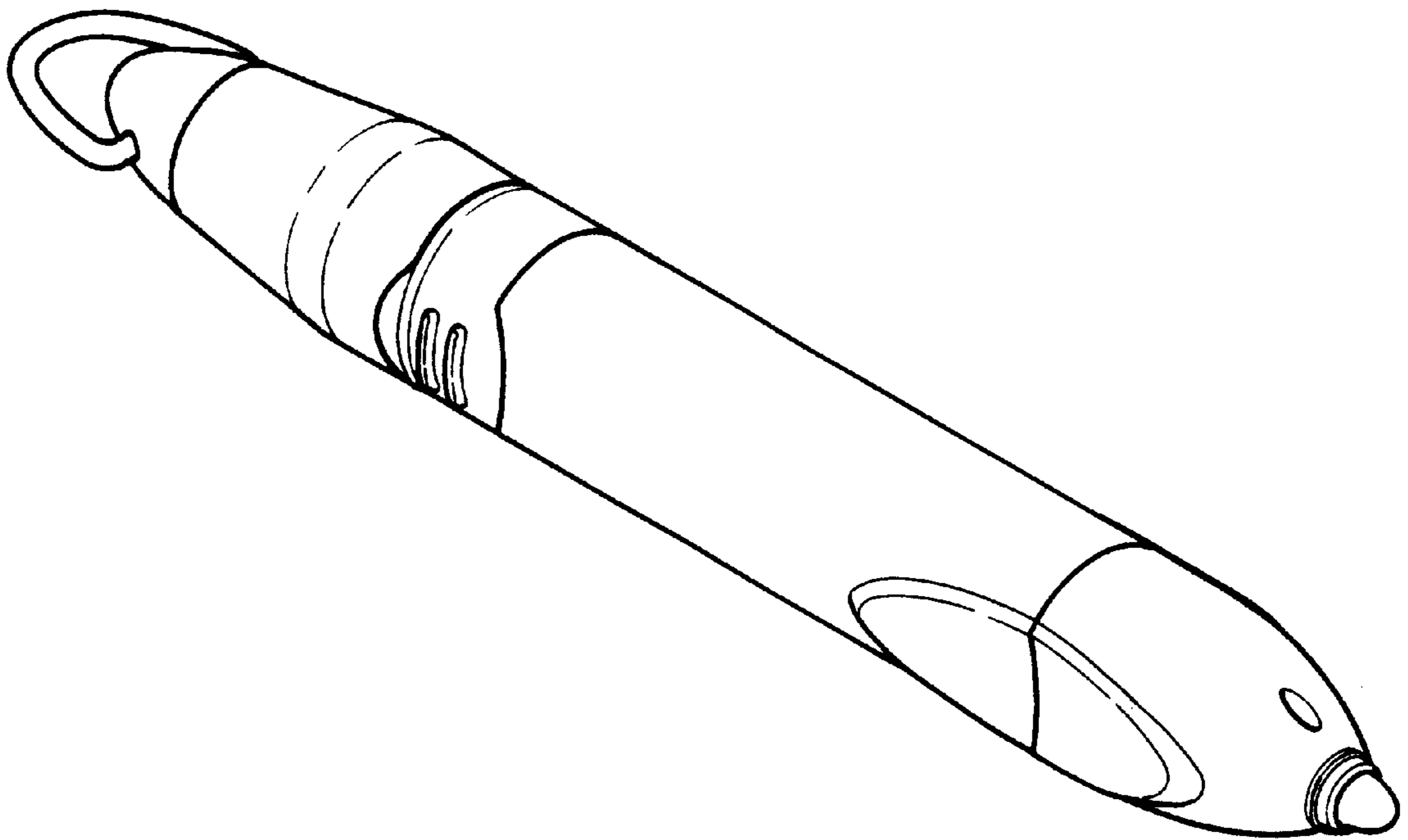


FIG. 1

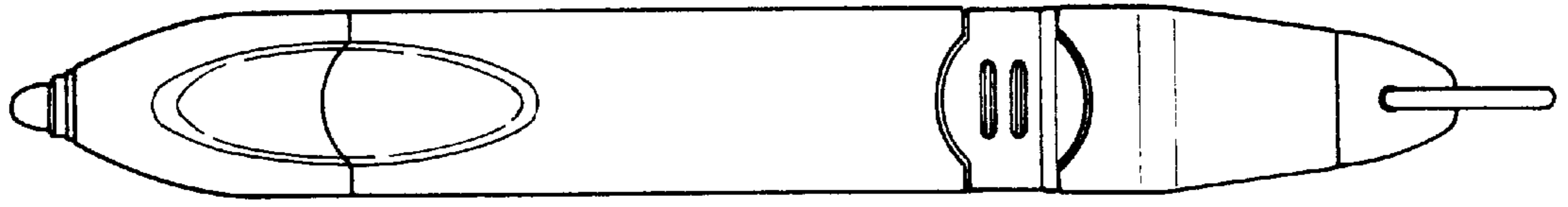


FIG. 2

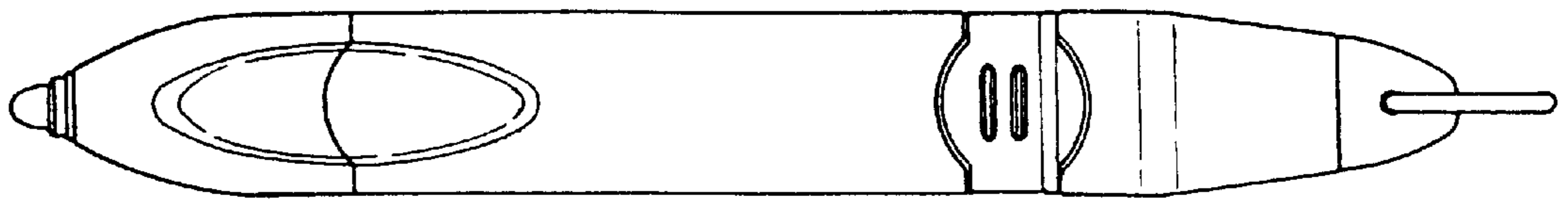


FIG. 3

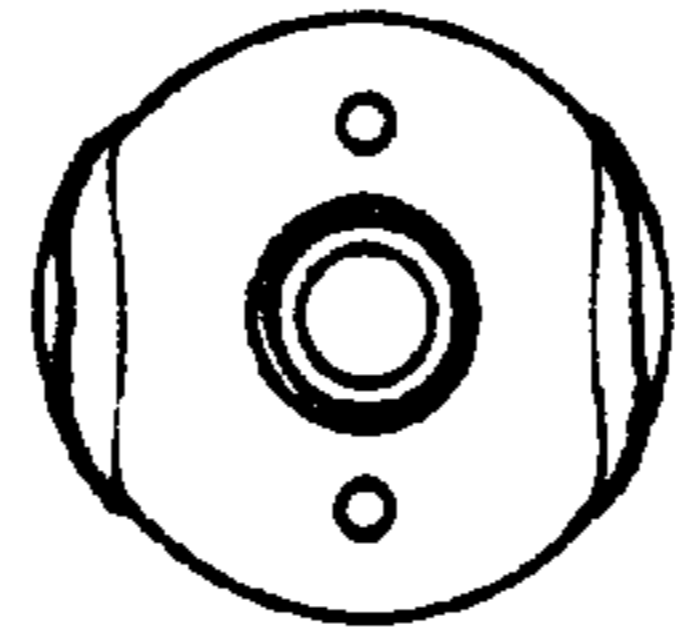


FIG. 4

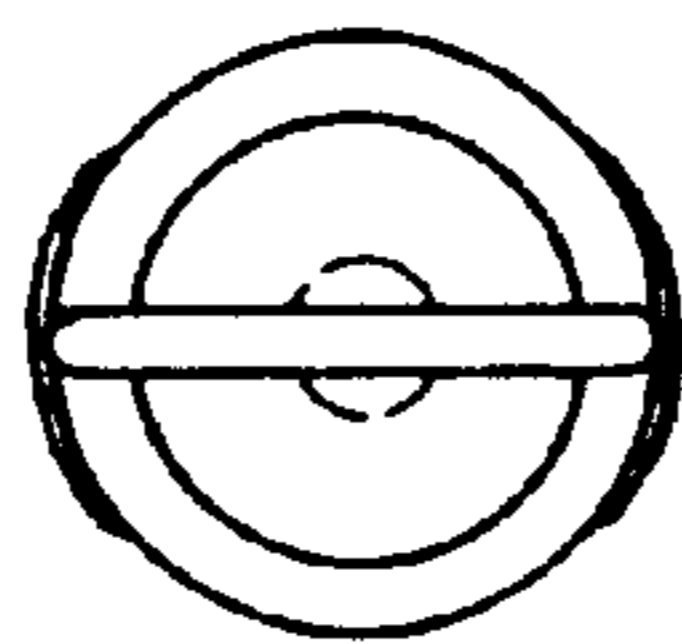


FIG. 5



FIG. 6

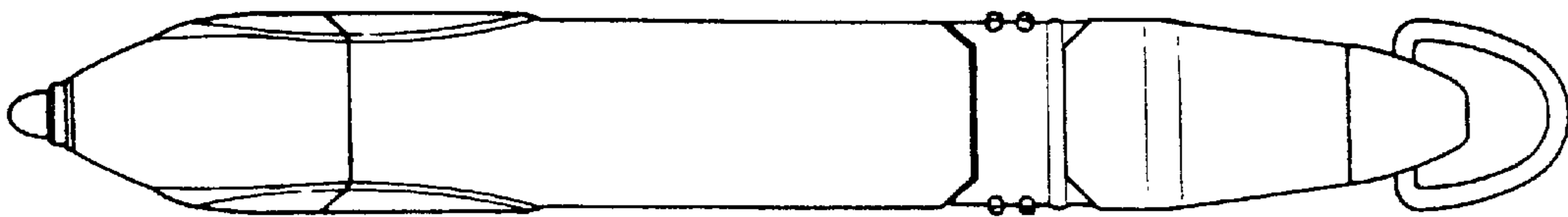


FIG. 7

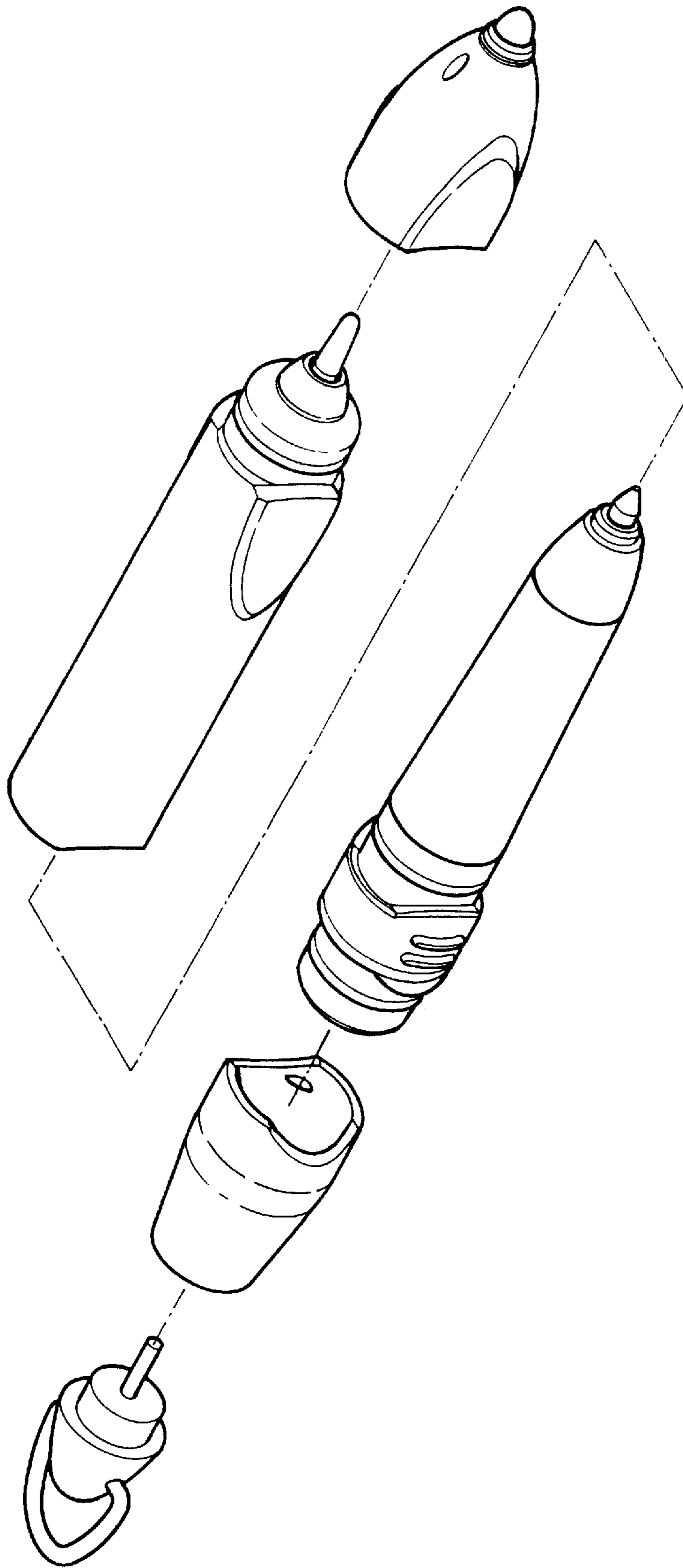


FIG. 8