



US00D465803S

(12) **United States Design Patent**  
**Tajima**

(10) **Patent No.:** **US D465,803 S**

(45) **Date of Patent:** **\*\* Nov. 19, 2002**

(54) **PROTECTIVE CAP FOR PRINTING HEAD**

(75) Inventor: **Hiroki Tajima, Yokohama (JP)**

(73) Assignee: **Canon Kabushiki Kaisha, Tokyo (JP)**

(\*\*) Term: **14 Years**

(21) Appl. No.: **29/145,692**

(22) Filed: **Jul. 30, 2001**

(30) **Foreign Application Priority Data**

Feb. 8, 2001 (JP) ..... 2001-002817

(51) **LOC (7) Cl.** ..... **18-02**

(52) **U.S. Cl.** ..... **D18/56; 347/86**

(58) **Field of Search** ..... **D18/43, 56; 347/86, 347/87**

(56) **References Cited**

**U.S. PATENT DOCUMENTS**

D422,632 S \* 4/2000 Chung et al. .... D18/56

D432,916 S \* 10/2000 Drinkwater et al. .... D9/447

6,286,949 B1 \* 9/2001 Lewis et al. .... 347/86

D449,643 S \* 10/2001 Hatasa et al. .... D18/56

6,296,345 B1 \* 10/2001 Kline et al. .... 347/87

\* cited by examiner

*Primary Examiner*—Cathy Anne MacCormac

(74) *Attorney, Agent, or Firm*—Fitzpatrick, Cella, Harper & Scinto

(57) **CLAIM**

The ornamental design for a protective cap for printing head, as shown and described.

**DESCRIPTION**

FIG. 1 is a front view of a protective cap for printing head showing my new design;

FIG. 2 is a rear view thereof;

FIG. 3 is a top plan view thereof;

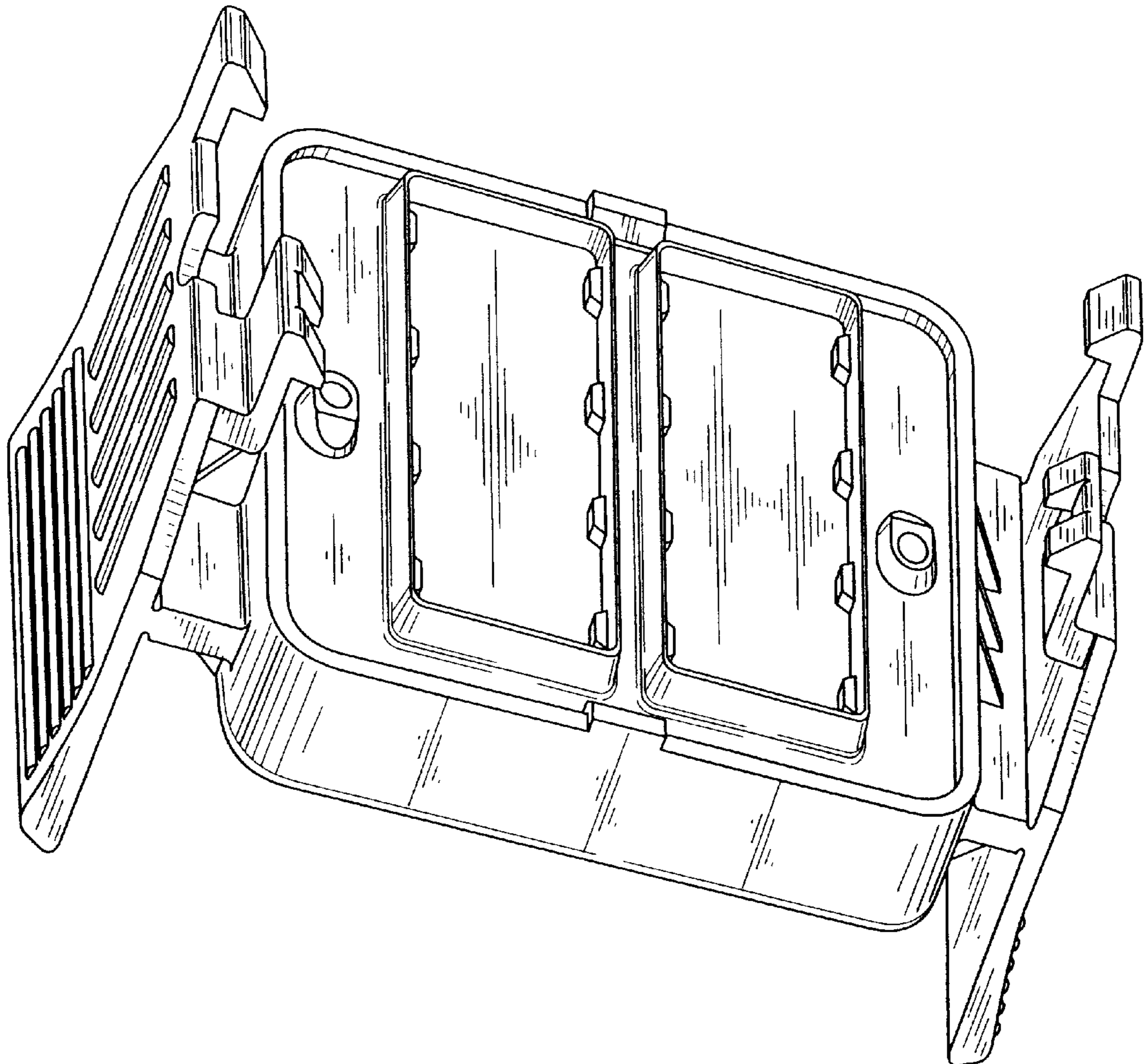
FIG. 4 is a bottom plan view thereof;

FIG. 5 is a left side view thereof;

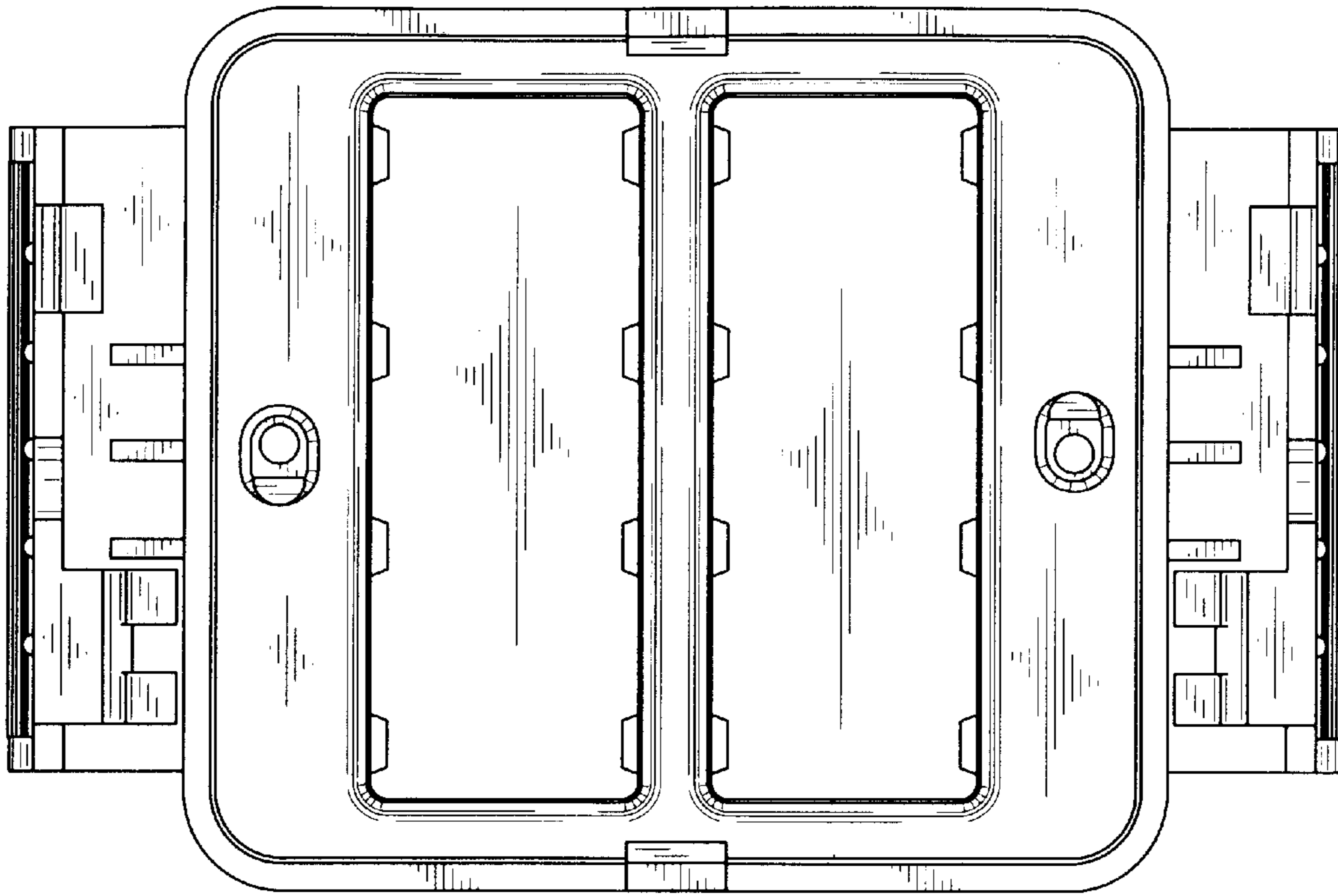
FIG. 6 is a right side view thereof; and,

FIG. 7 is a perspective view thereof.

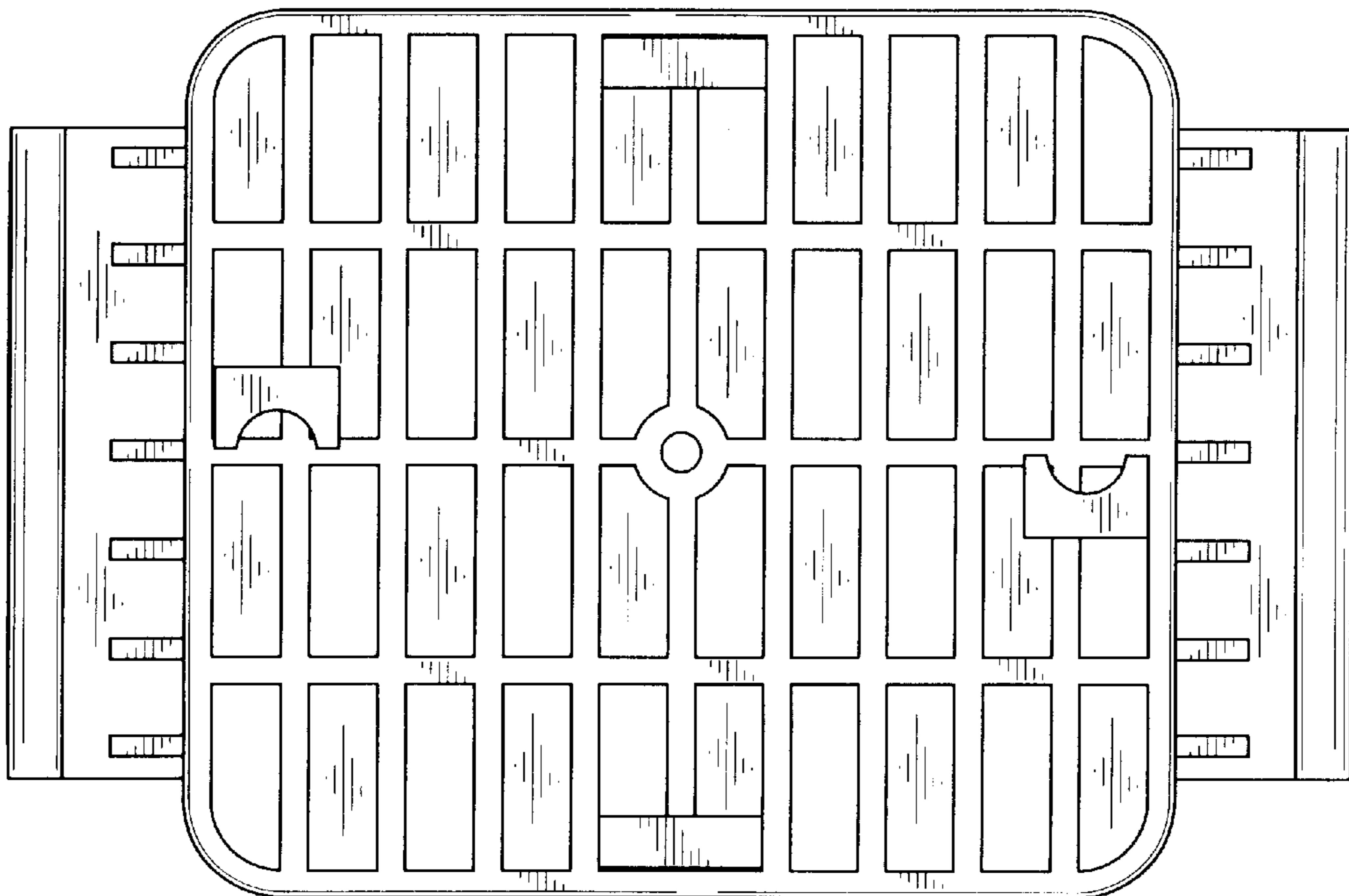
**1 Claim, 4 Drawing Sheets**



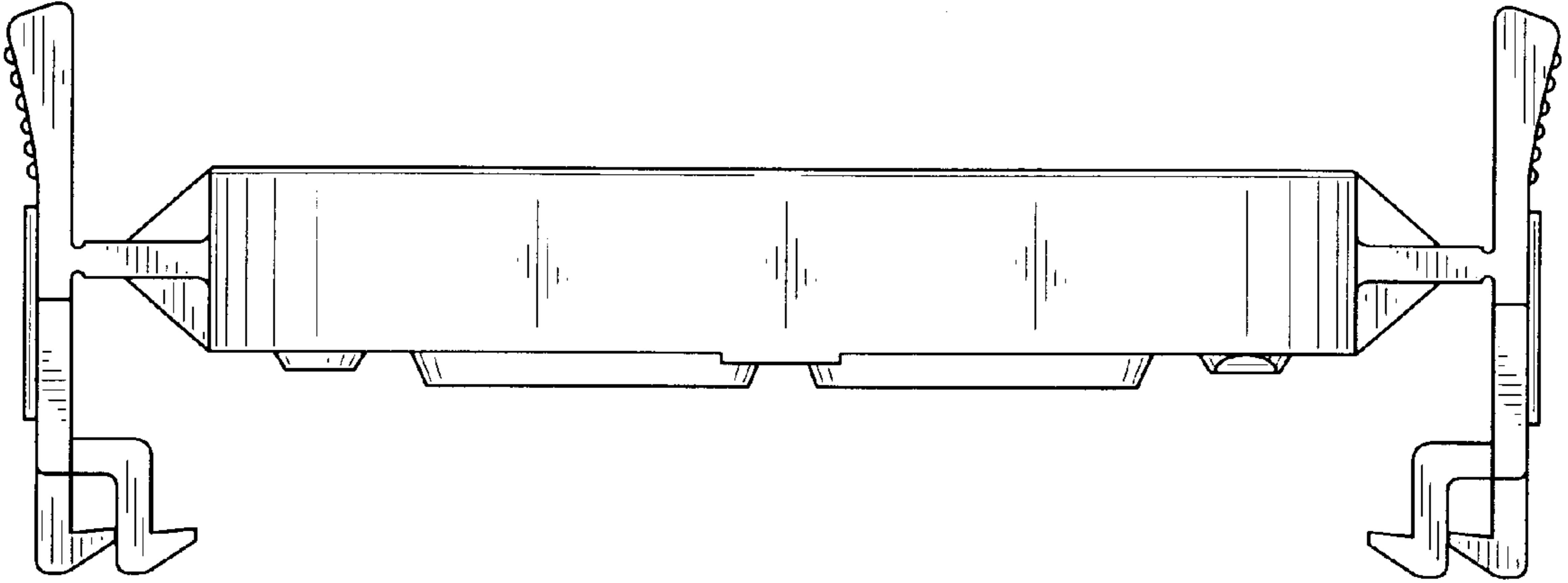
*FIG. 1*



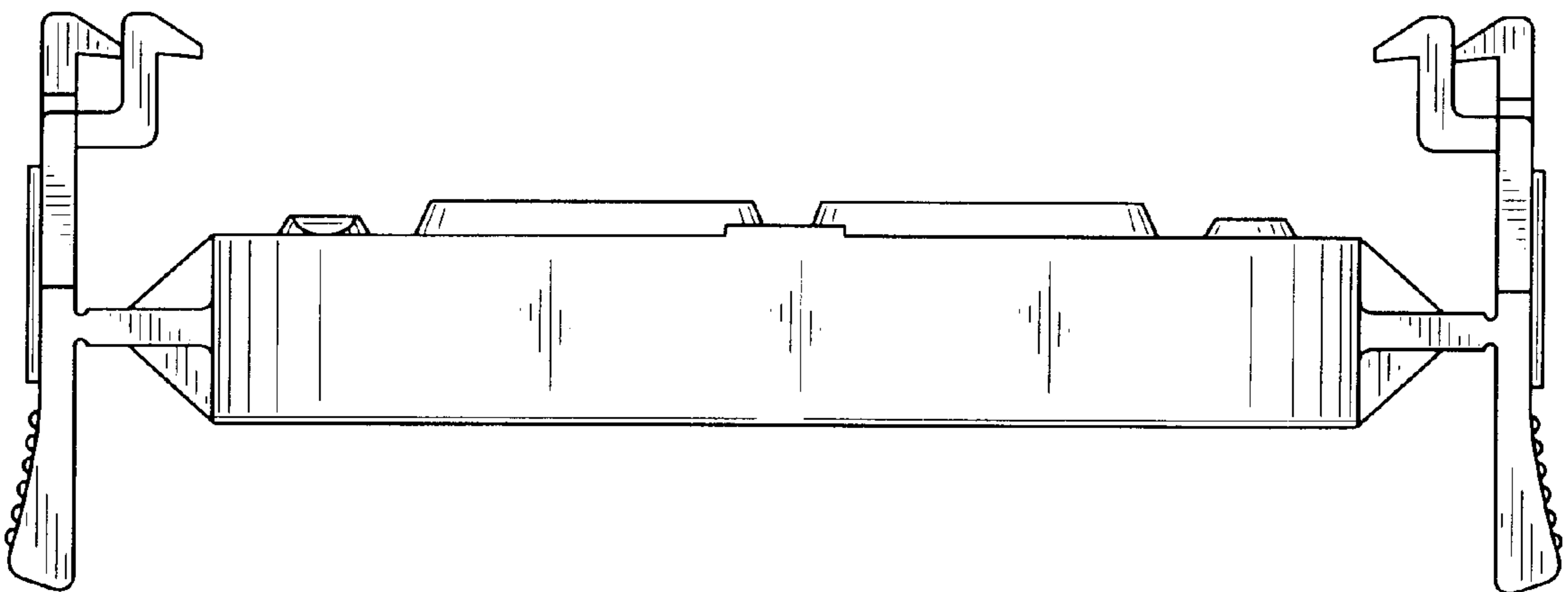
*FIG. 2*



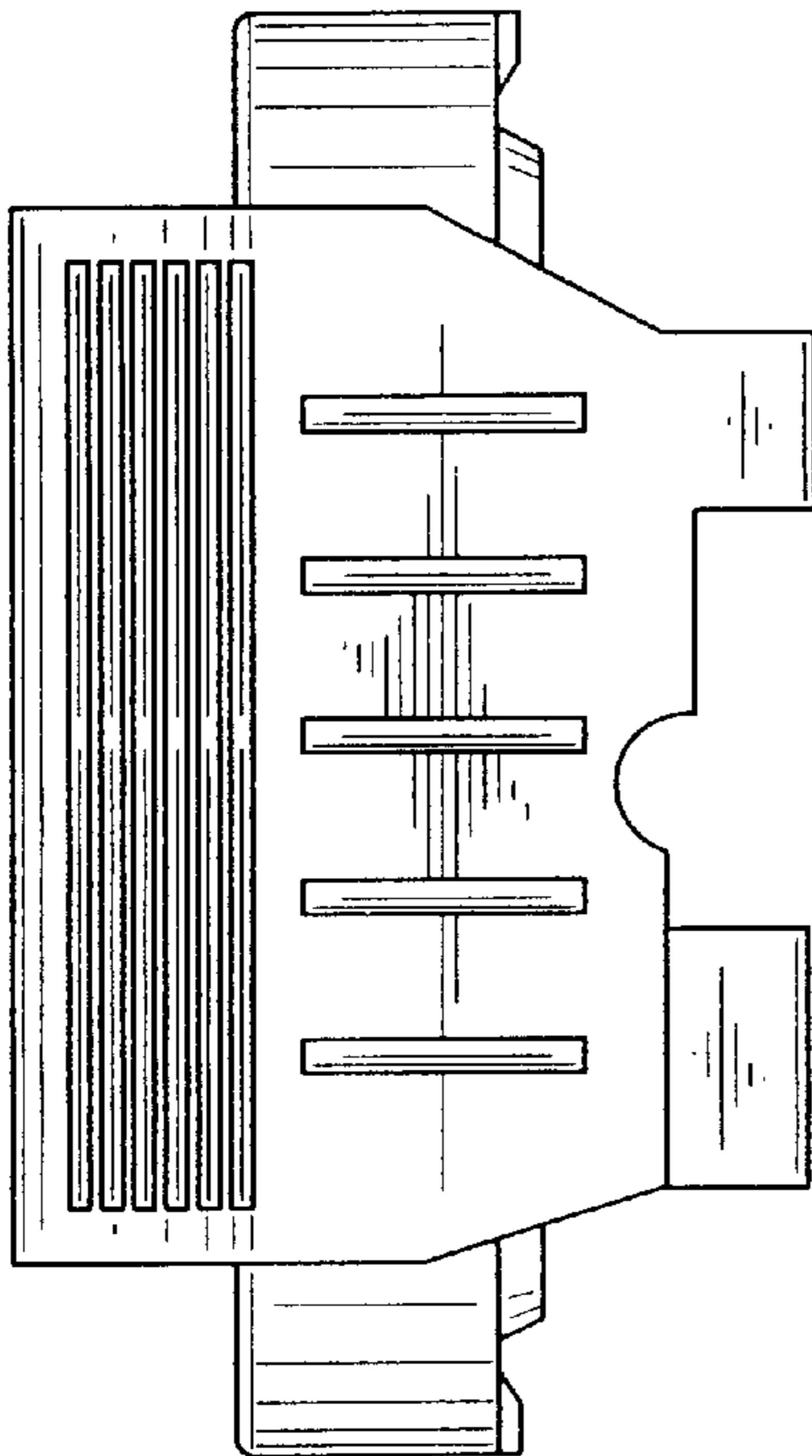
*FIG. 3*



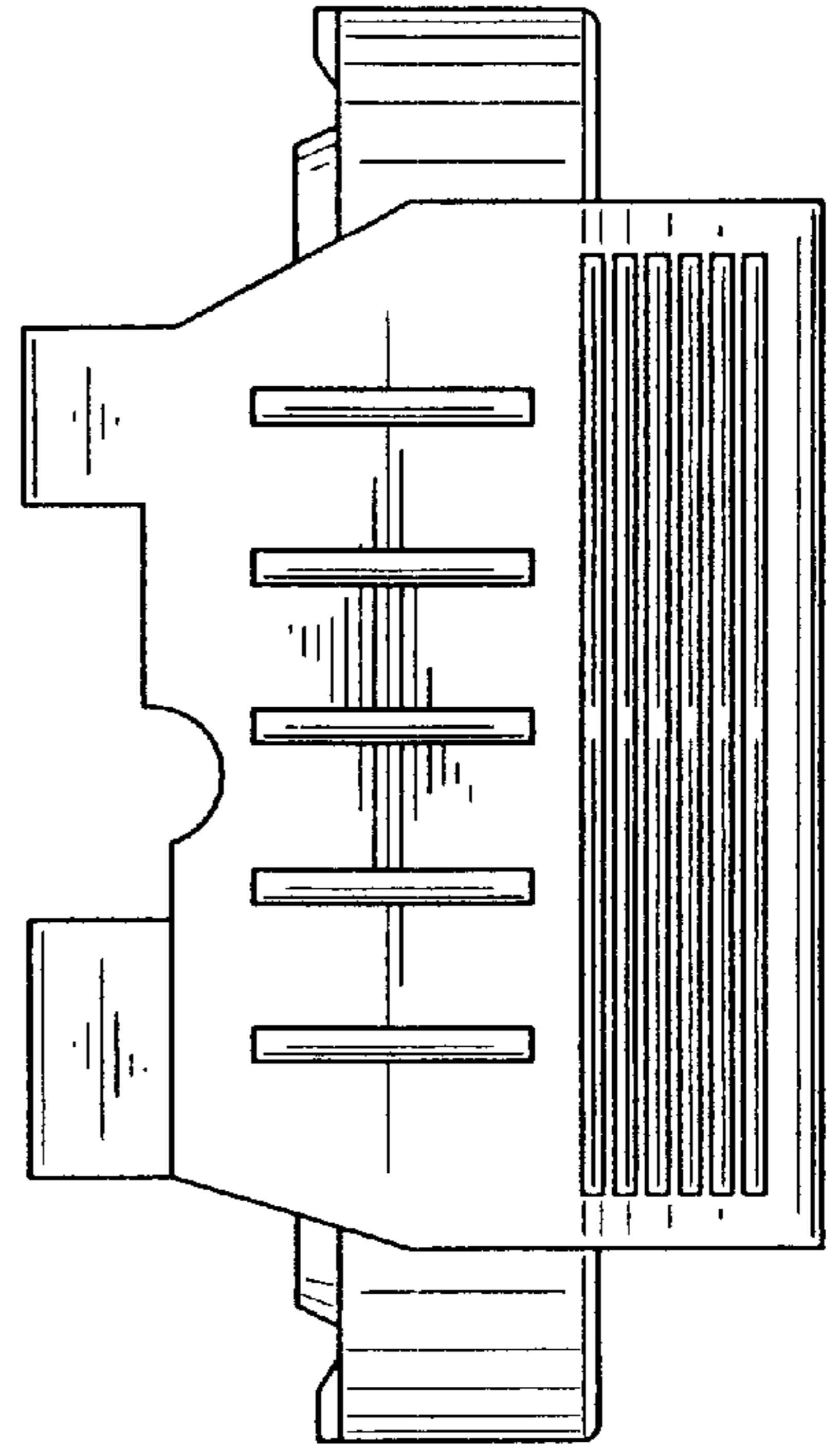
*FIG. 4*



*FIG. 5*



*FIG. 6*



*FIG. 7*

