



US00D465801S

(12) **United States Design Patent**  
**Falk et al.**

(10) **Patent No.:** **US D465,801 S**

(45) **Date of Patent:** **\*\* Nov. 19, 2002**

(54) **DOCUMENT PRINTER**

D456,444 S \* 4/2002 Falk et al. .... D18/53  
6,374,066 B1 \* 4/2002 Smith et al. .... 399/107

(75) Inventors: **Kevin Lloyd Falk**, Boise, ID (US);  
**Carlos Garnier Ortiz**, Jalisco (MX);  
**Claudia Santillan Figueroa**, Jalisco  
(MX); **Angelo Michael LaBarbera**,  
Eagle, ID (US)

\* cited by examiner

*Primary Examiner*—Caron D. Veynar

(73) Assignee: **Hewlett-Packard Company**, Palo Alto,  
CA (US)

(57) **CLAIM**

The ornamental design for a document printer, as shown.

(\*\*) Term: **14 Years**

**DESCRIPTION**

(21) Appl. No.: **29/141,052**

FIG. 1 is a perspective view of a document printer showing  
the new design;

(22) Filed: **Apr. 27, 2001**

FIG. 2 is a top view thereof;

(51) **LOC (7) Cl.** ..... **16-03**

FIG. 3 is a front view thereof;

(52) **U.S. Cl.** ..... **D18/39; D18/53**

FIG. 4 is a left side view thereof;

(58) **Field of Search** ..... D18/36-39, 53-56;  
399/1-7, 81, 130; 355/97

FIG. 5 is a right side view thereof; and,

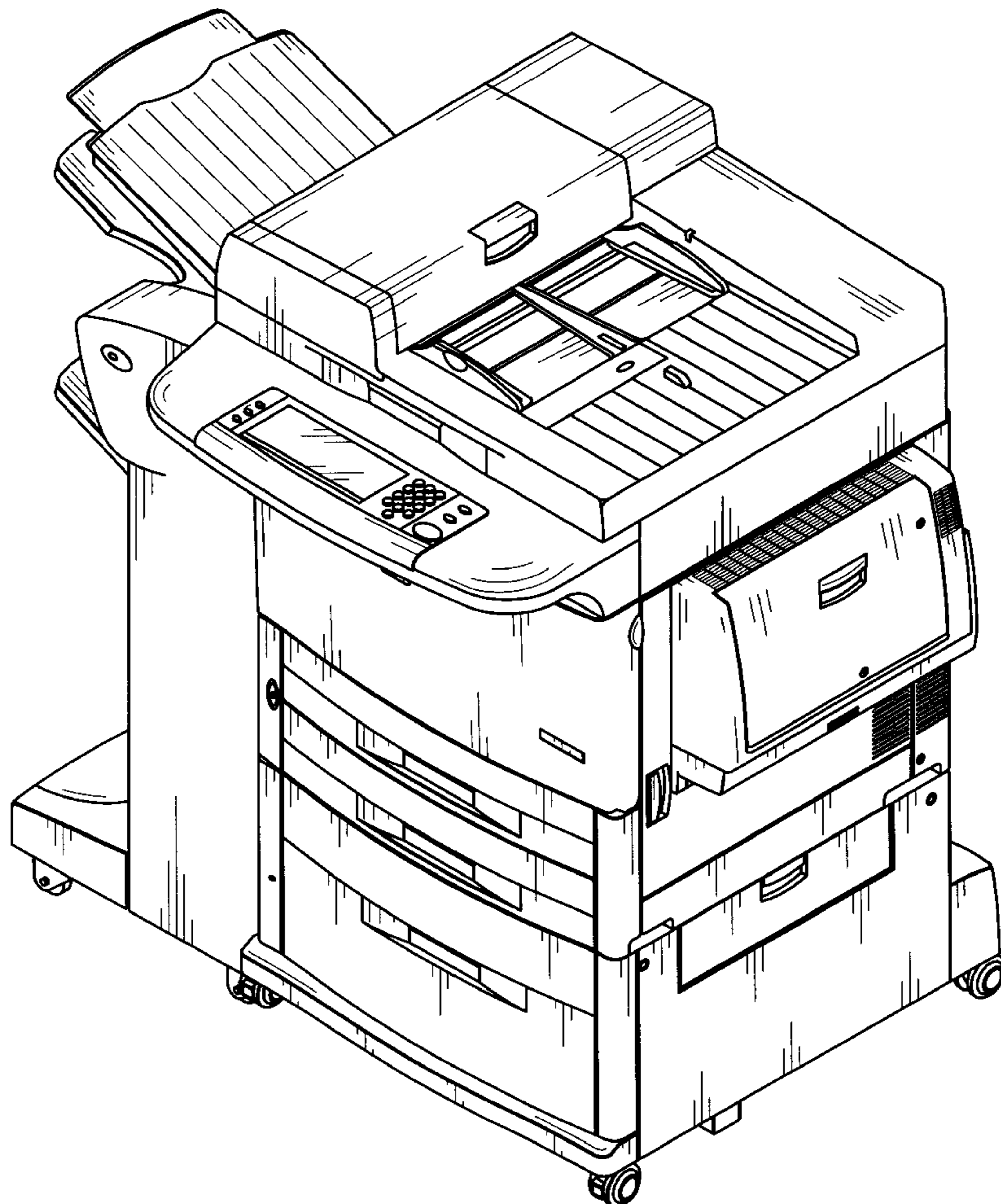
FIG. 6 is a rear view thereof.

(56) **References Cited**

**U.S. PATENT DOCUMENTS**

D455,779 S \* 4/2002 Falk et al. .... D18/53

**1 Claim, 6 Drawing Sheets**



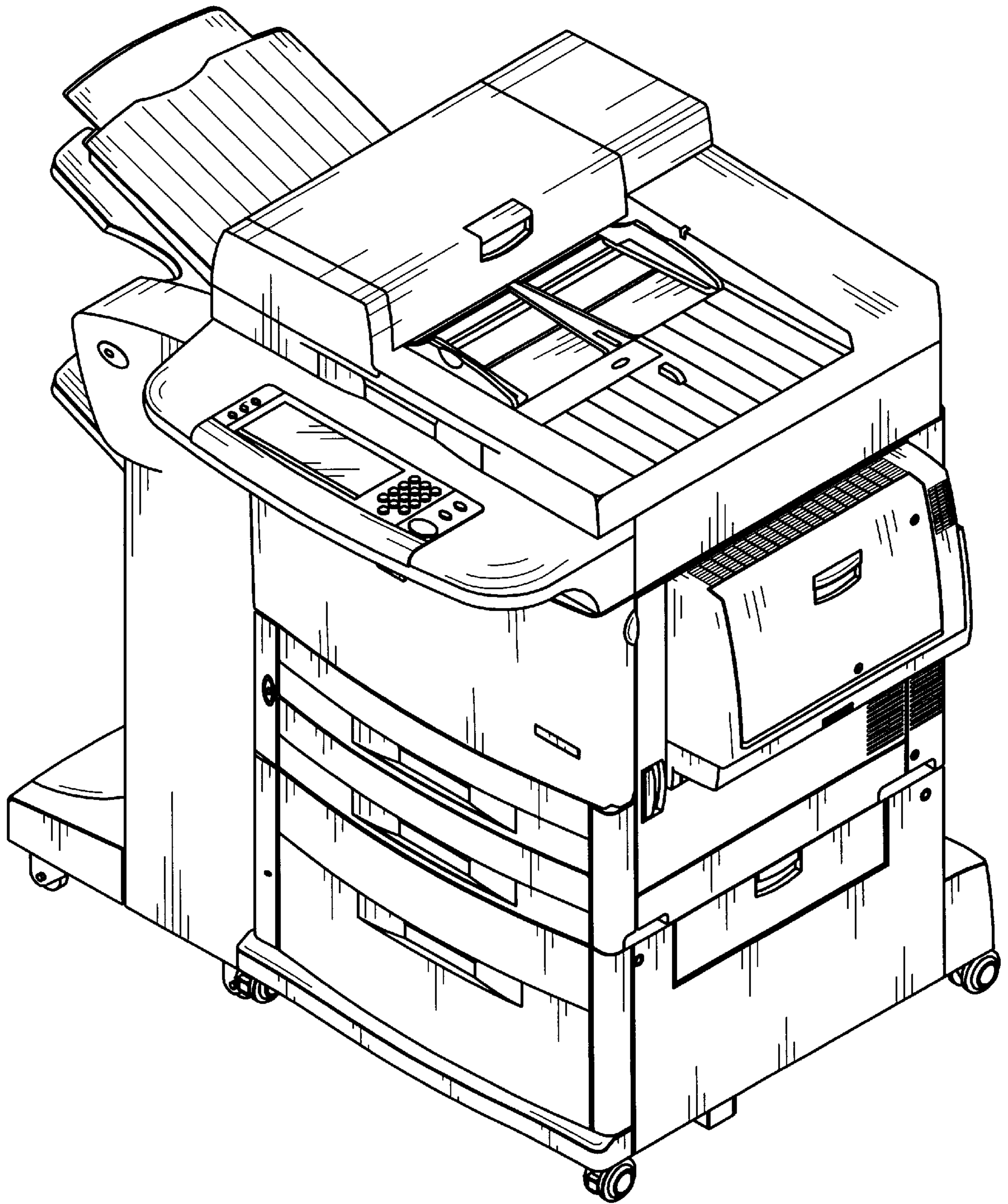


FIG. 1

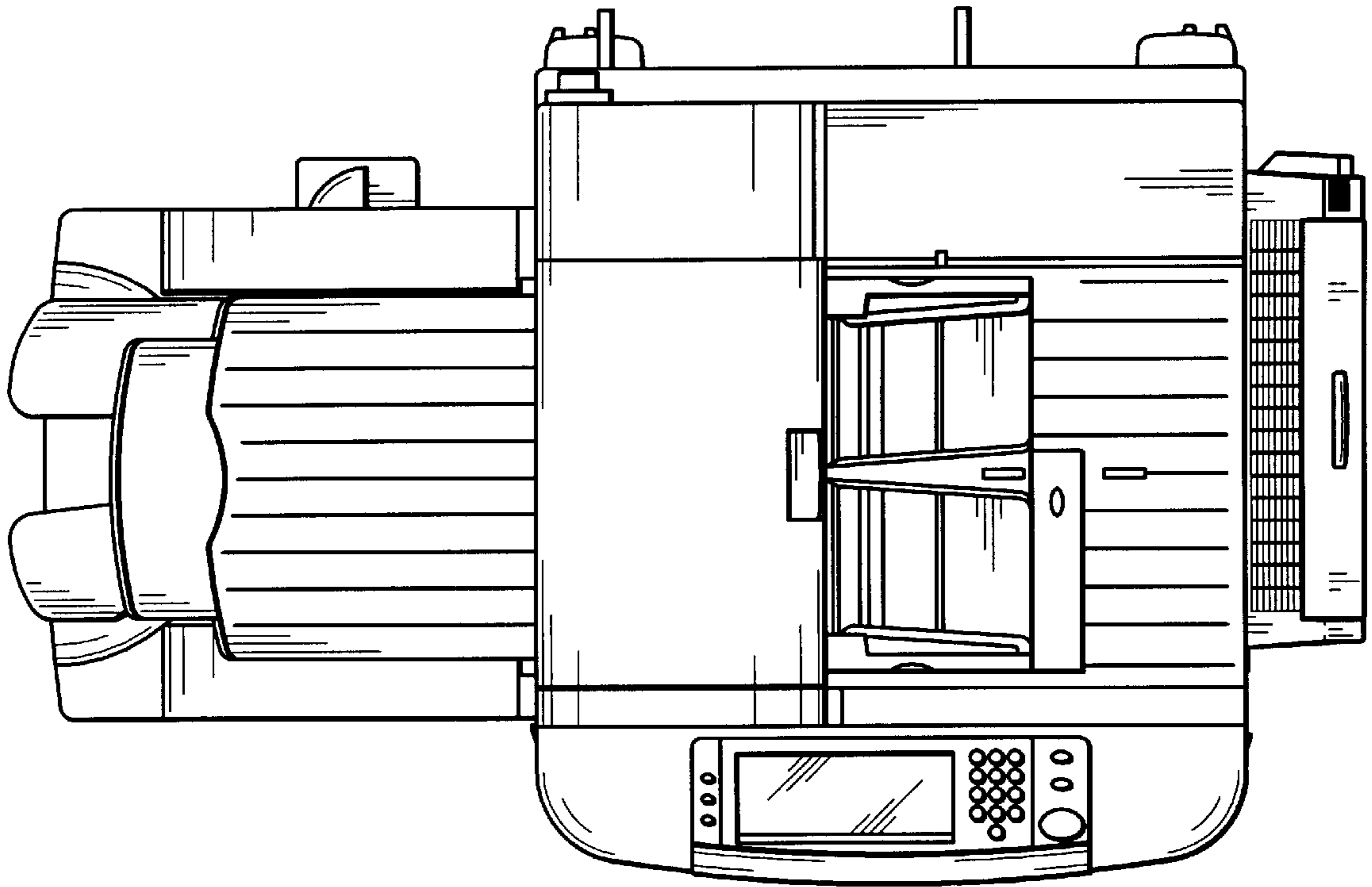


FIG. 2

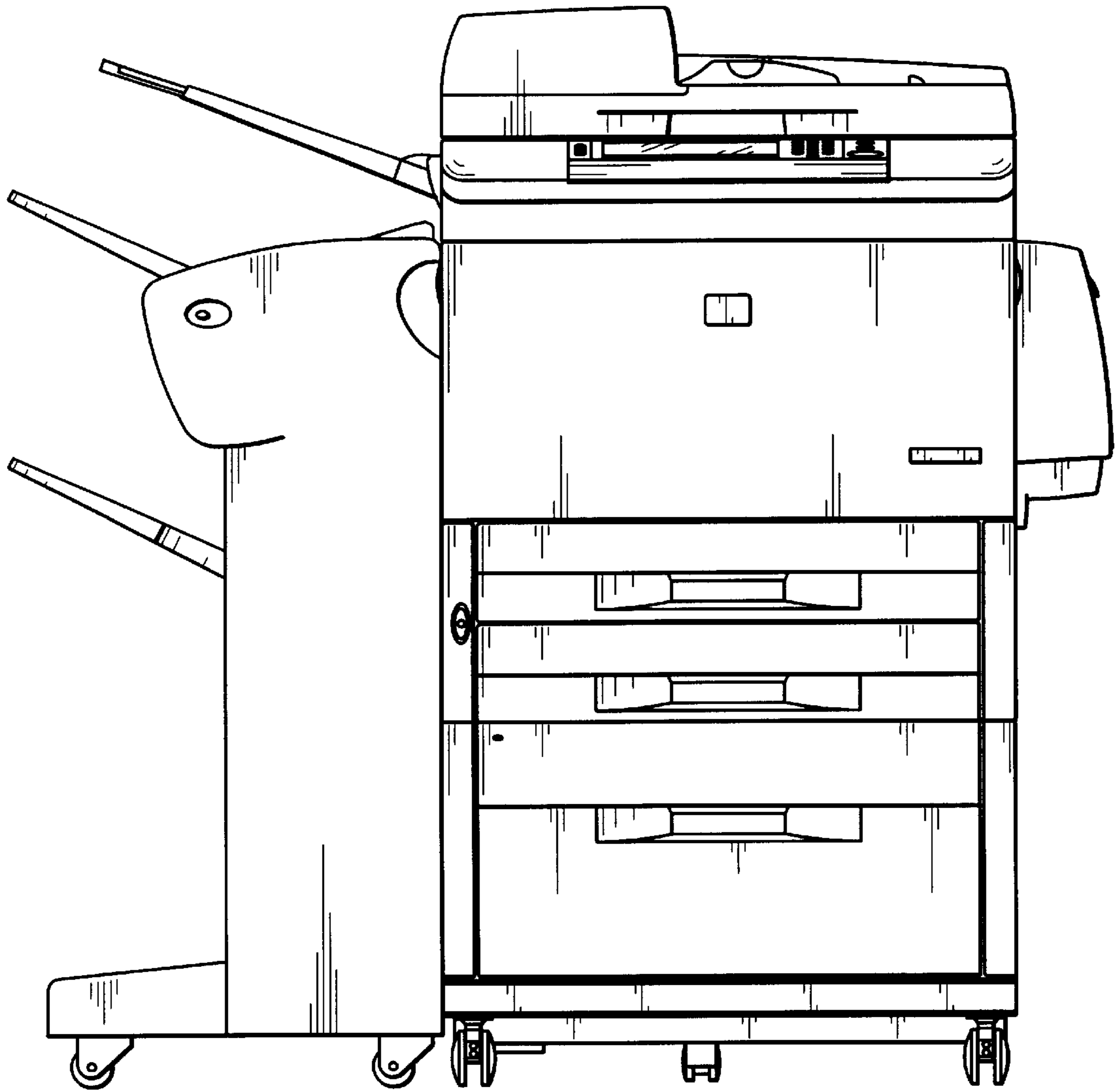


FIG. 3

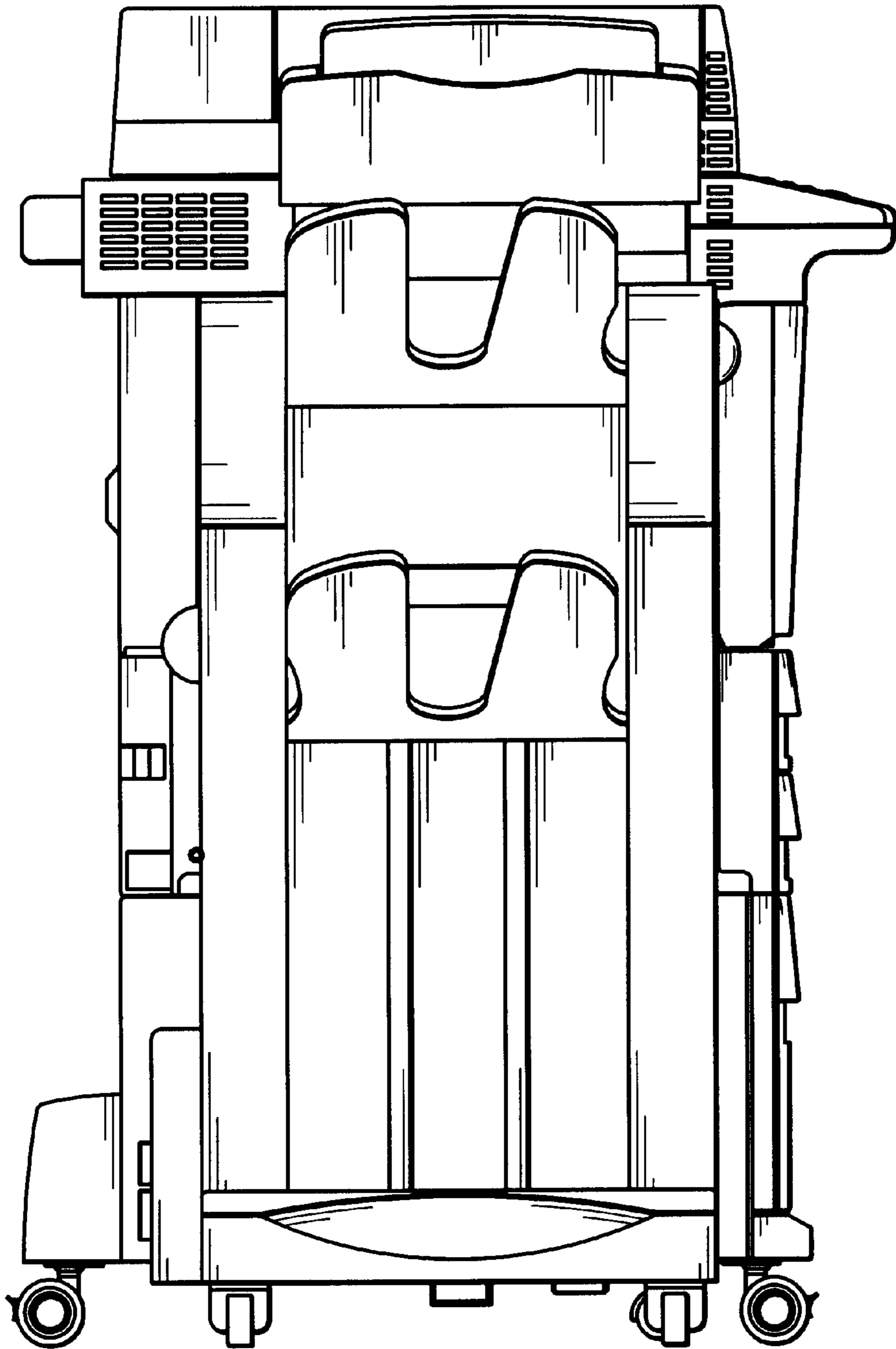


FIG. 4

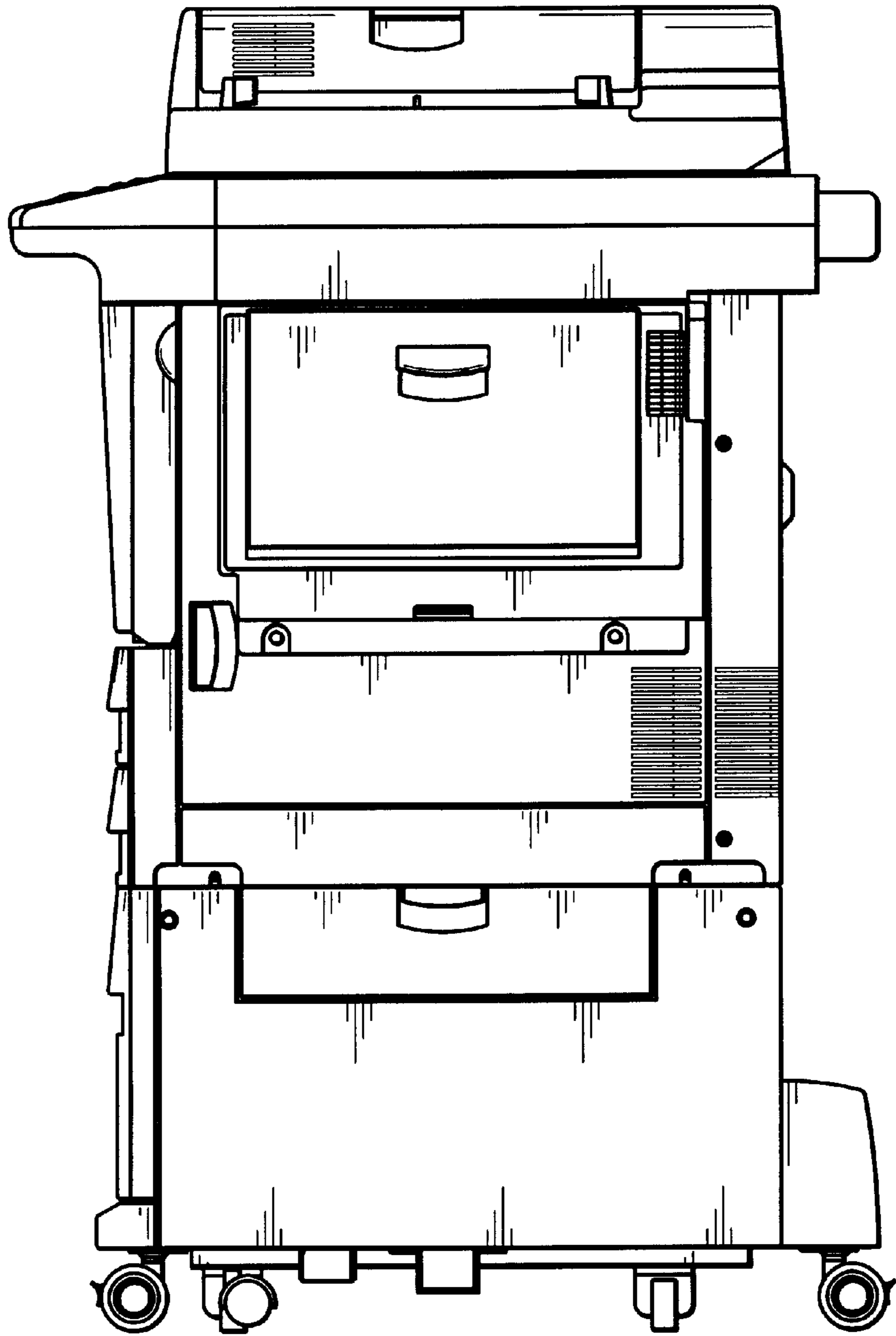


FIG. 5

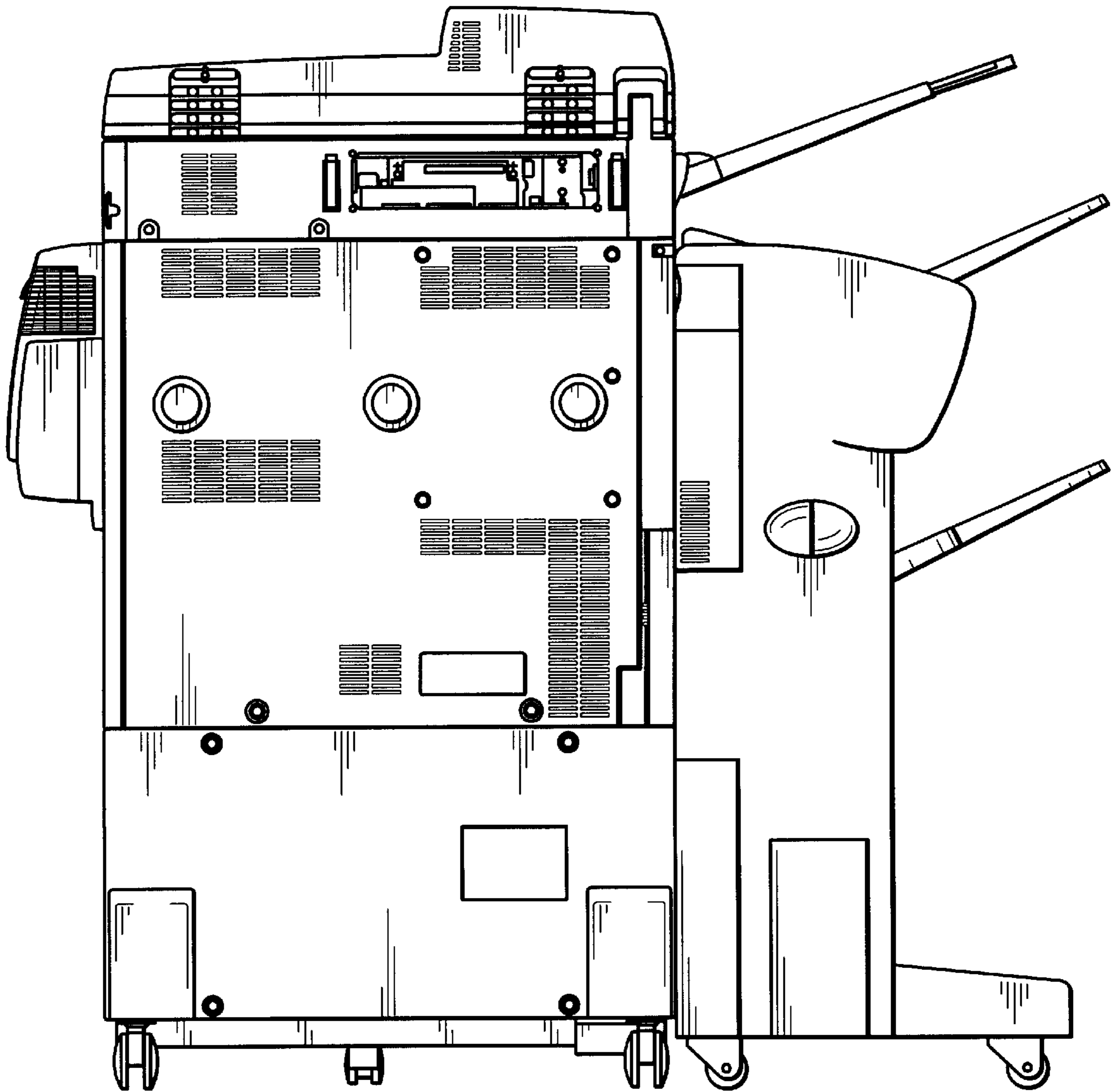


FIG. 6

UNITED STATES PATENT AND TRADEMARK OFFICE  
**CERTIFICATE OF CORRECTION**

PATENT NO. : Des. 465,801 S  
DATED : November 19, 2002  
INVENTOR(S) : Falk et al.

Page 1 of 1


It is certified that error appears in the above-identified patent and that said Letters Patent is hereby corrected as shown below:

Title page,

**DESCRIPTION**, before "Fig. 1", it should read -- We, Kevin Lloyd Falk, Carlos Garnier Ortiz, Claudia Santillan Figueroa, and Angelo Michael LaBarbera have invented a new, original, and ornamental design for a document printer as shown. --

Signed and Sealed this

Third Day of June, 2003

A handwritten signature in black ink, appearing to read "James E. Rogan", written over a horizontal line.

JAMES E. ROGAN  
*Director of the United States Patent and Trademark Office*