



US00D465800S

(12) **United States Design Patent**
Suzuki et al.

(10) **Patent No.:** **US D465,800 S**

(45) **Date of Patent:** **** Nov. 19, 2002**

(54) **DIGITAL CAMERA**

(75) Inventors: **Tatsuya Suzuki**, Tokyo (JP); **Michio Imada**, Tachikawa (JP)

(73) Assignee: **Olympus Optical Co., Ltd.**, Tokyo (JP)

(**) Term: **14 Years**

(21) Appl. No.: **29/146,563**

(22) Filed: **Aug. 8, 2001**

(30) **Foreign Application Priority Data**

Jun. 4, 2001 (JP) 2001-019981

(51) **LOC (7) Cl.** **16-01**

(52) **U.S. Cl.** **D16/202; D16/212**

(58) **Field of Search** D16/200-204,
D16/208, 209, 211, 212, 218, 219; 396/59,
348, 349, 448, 535-541

(56) **References Cited**

U.S. PATENT DOCUMENTS

- D257,983 S * 1/1981 Maitani D16/209
- 4,556,304 A * 12/1985 Fukuda 396/448
- D323,336 S * 1/1992 Moro et al. D16/209
- D365,355 S * 12/1995 Horikiri et al. D16/209
- 5,701,533 A * 12/1997 Suzuki et al. 396/349

5,913,089 A * 6/1999 Ebe 396/448

D436,611 S * 1/2001 Yoshida et al. D16/219

D449,324 S * 10/2001 Iue et al. D16/202

* cited by examiner

Primary Examiner—Adir Aronovich

(74) *Attorney, Agent, or Firm*—Hogan & Hartson, LLP

(57) **CLAIM**

The ornamental design for a digital camera, as shown and described.

DESCRIPTION

FIG. 1 is a front, top and right side perspective view of a digital camera, showing our new design;
 FIG. 2 is a front, top and right side perspective view thereof, showing the state in which a barrier is opened;
 FIG. 3 is a rear elevational view thereof;
 FIG. 4 is a front elevational view thereof;
 FIG. 5 is a top plan view thereof;
 FIG. 6 is a bottom plan view thereof;
 FIG. 7 is a right side elevational view thereof; and,
 FIG. 8 is a left side elevational view thereof.

The broken lines are included for the purpose of illustrating environmental structure only and form no part of the claimed design.

1 Claim, 3 Drawing Sheets

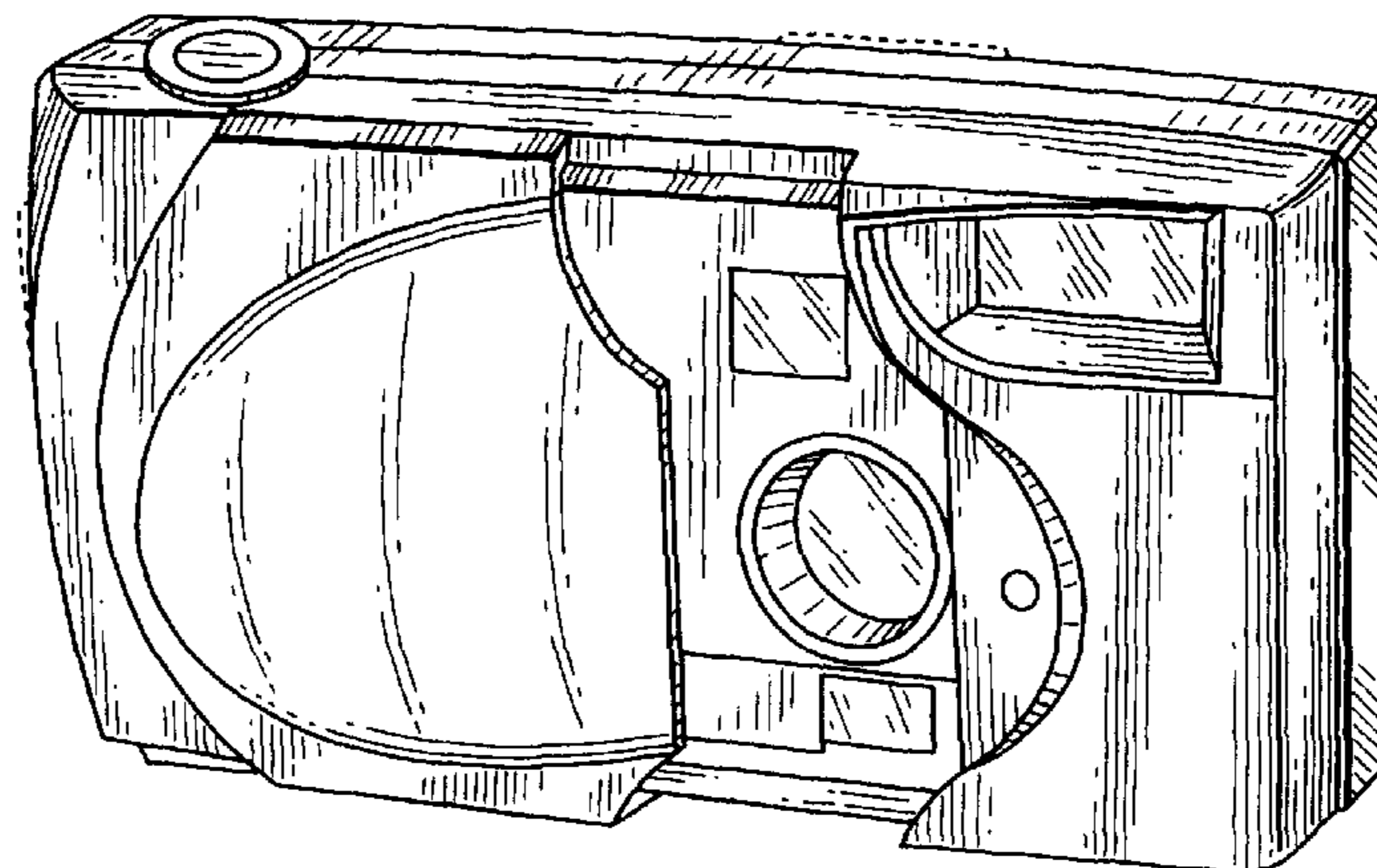
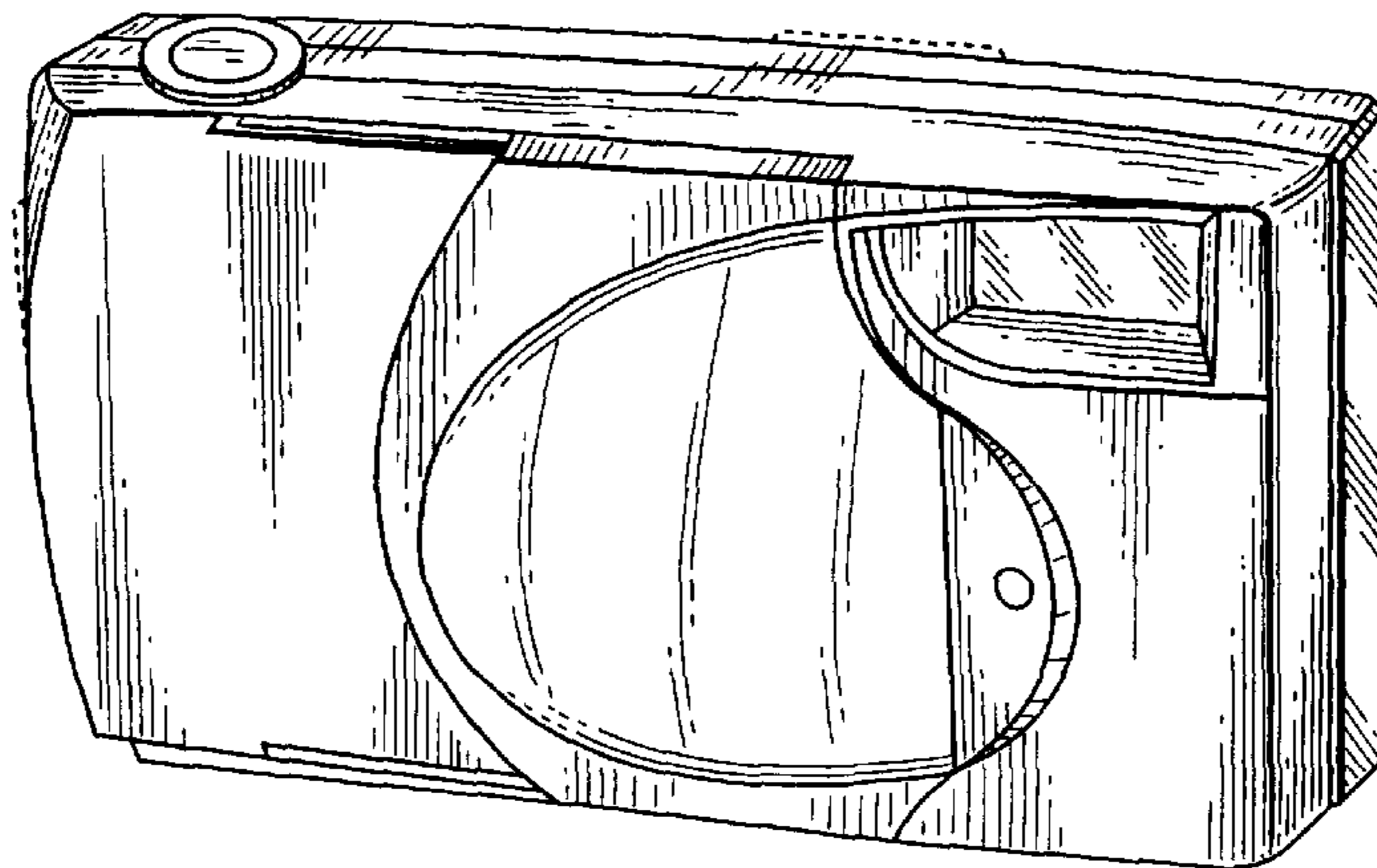


FIG.1

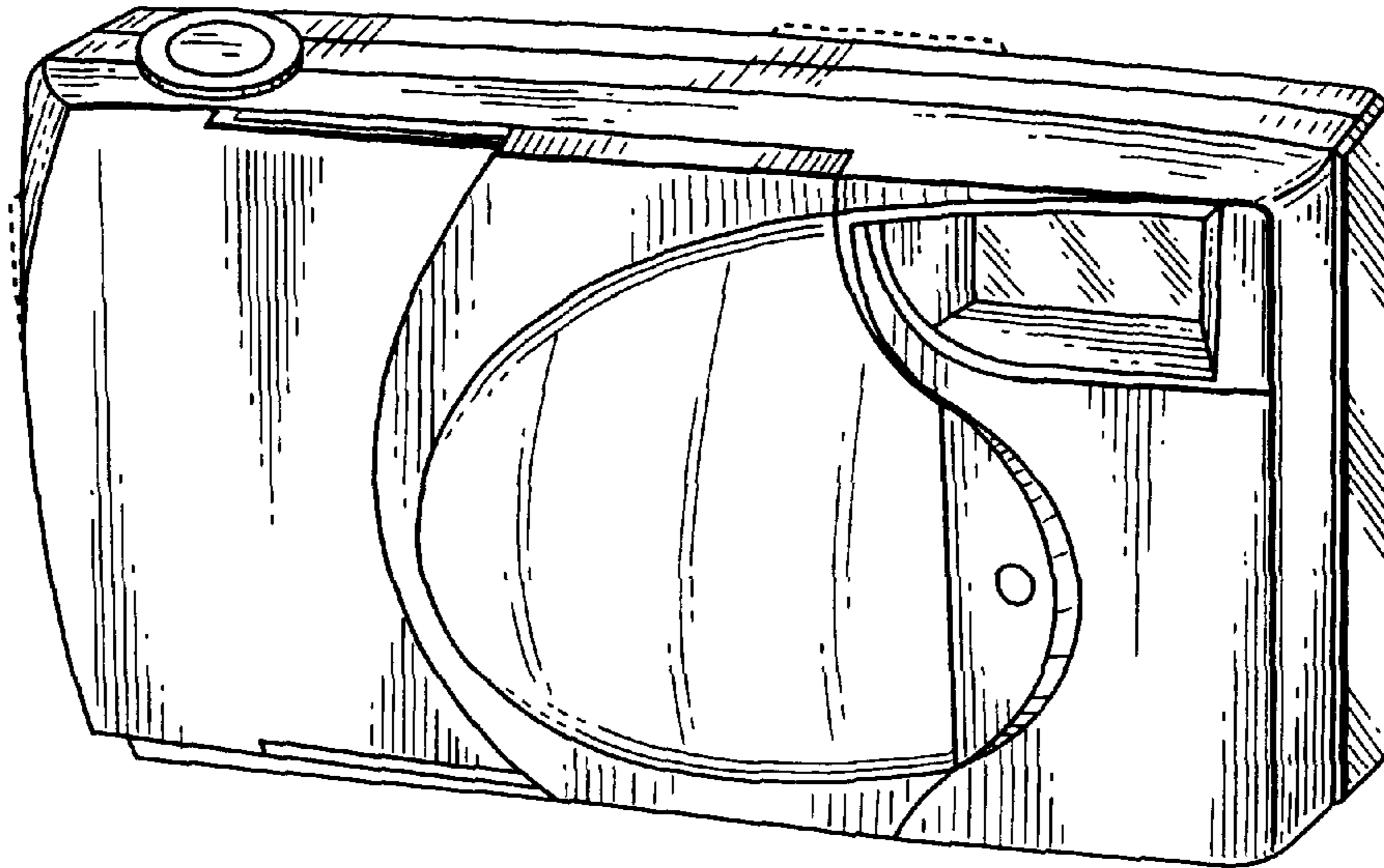


FIG.2

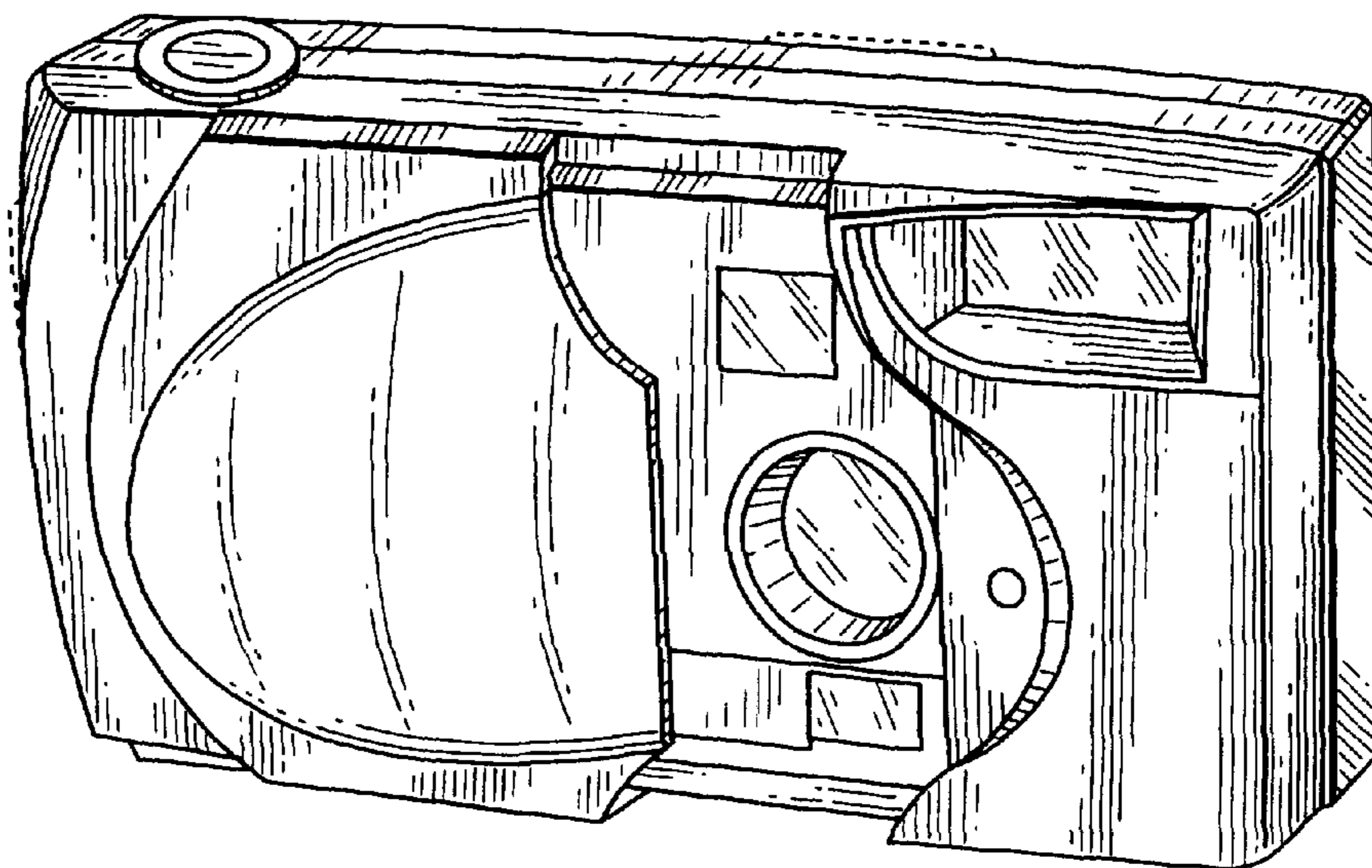


FIG.3

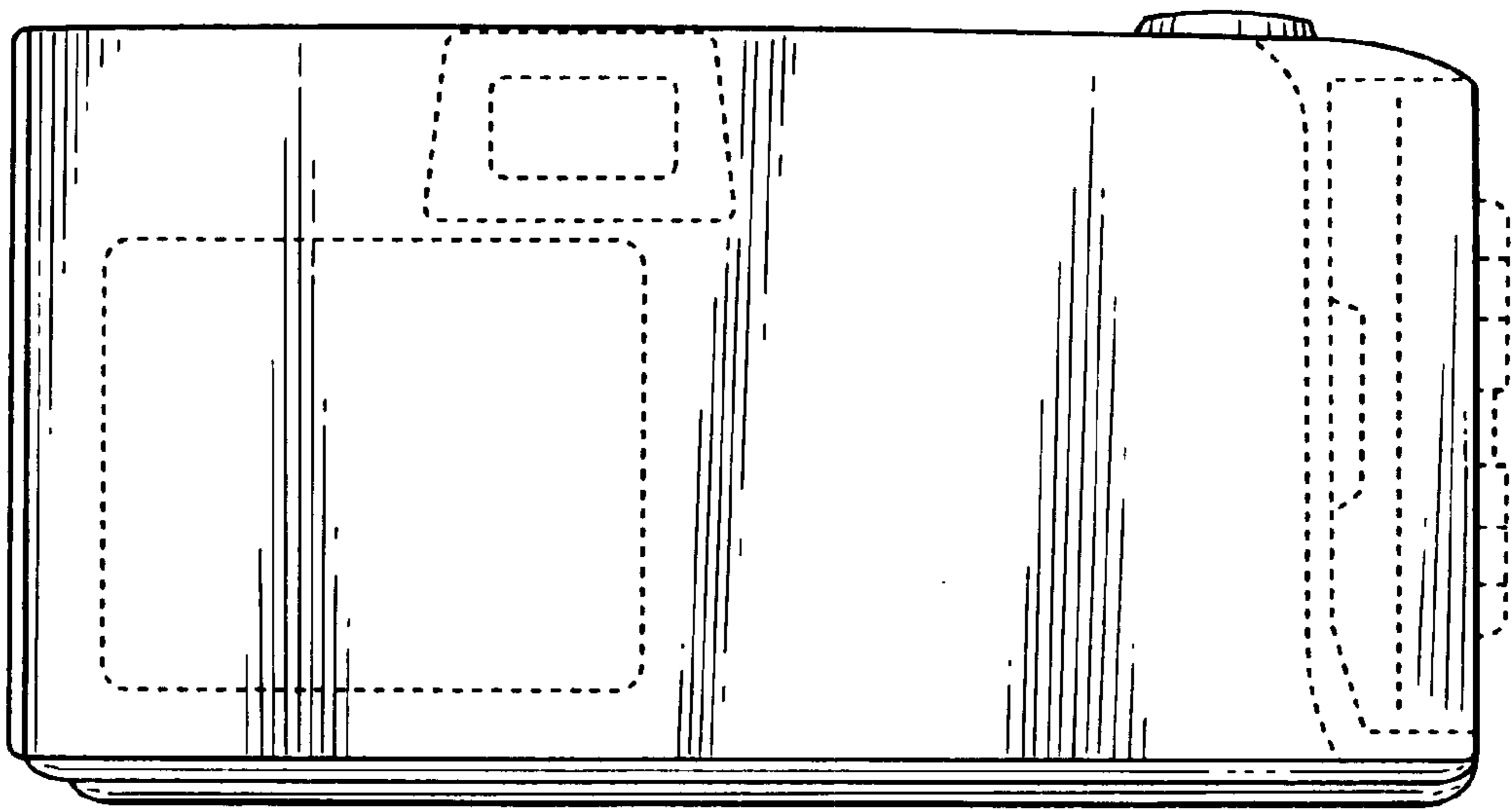


FIG.4

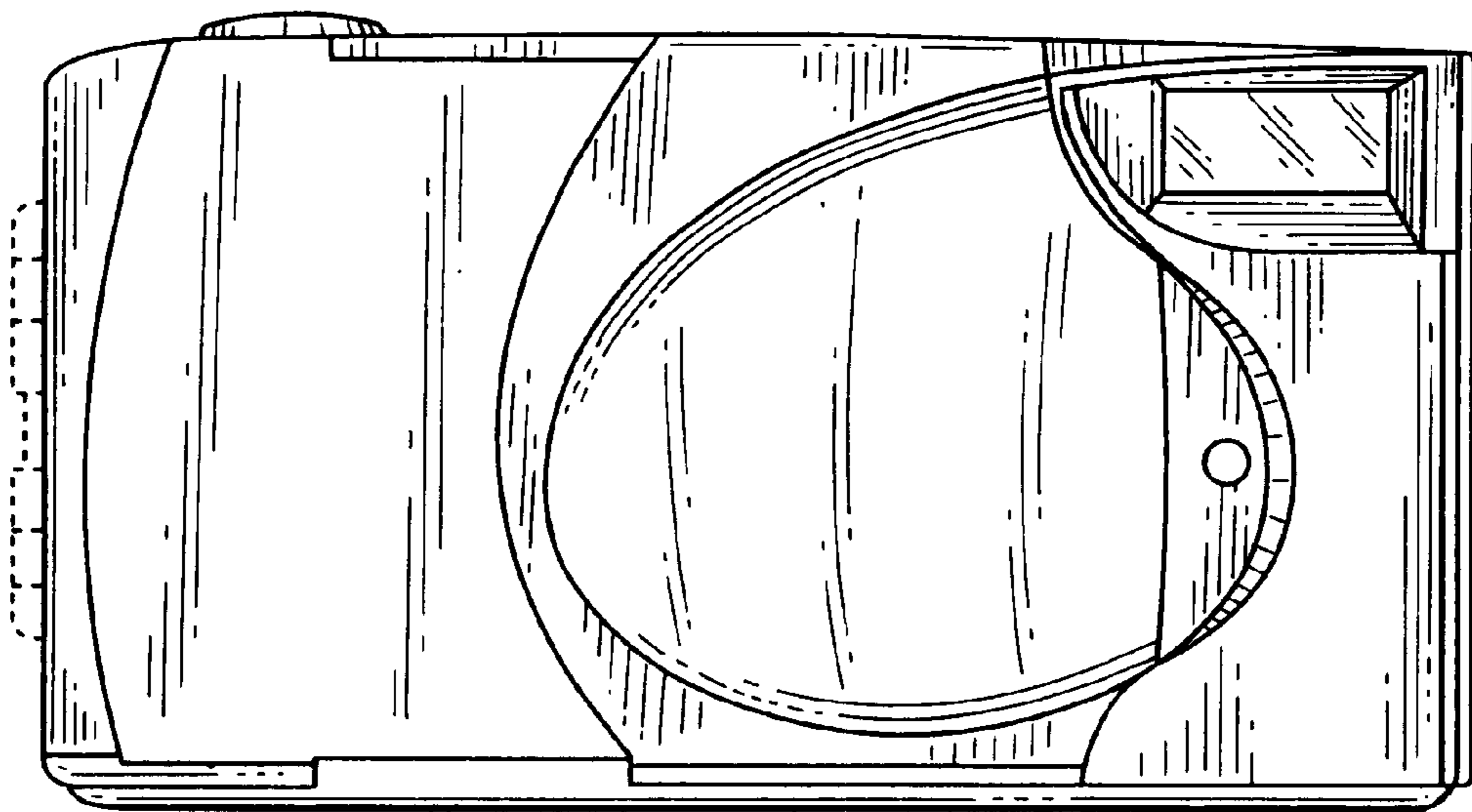


FIG.5

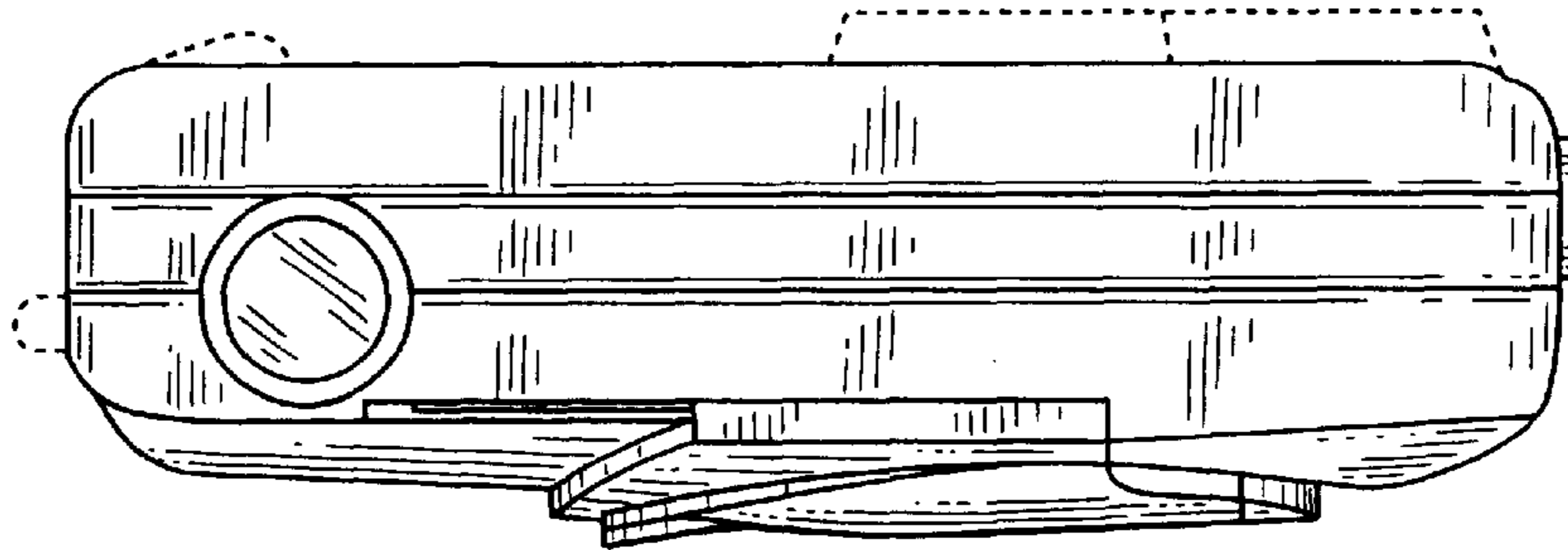


FIG.6

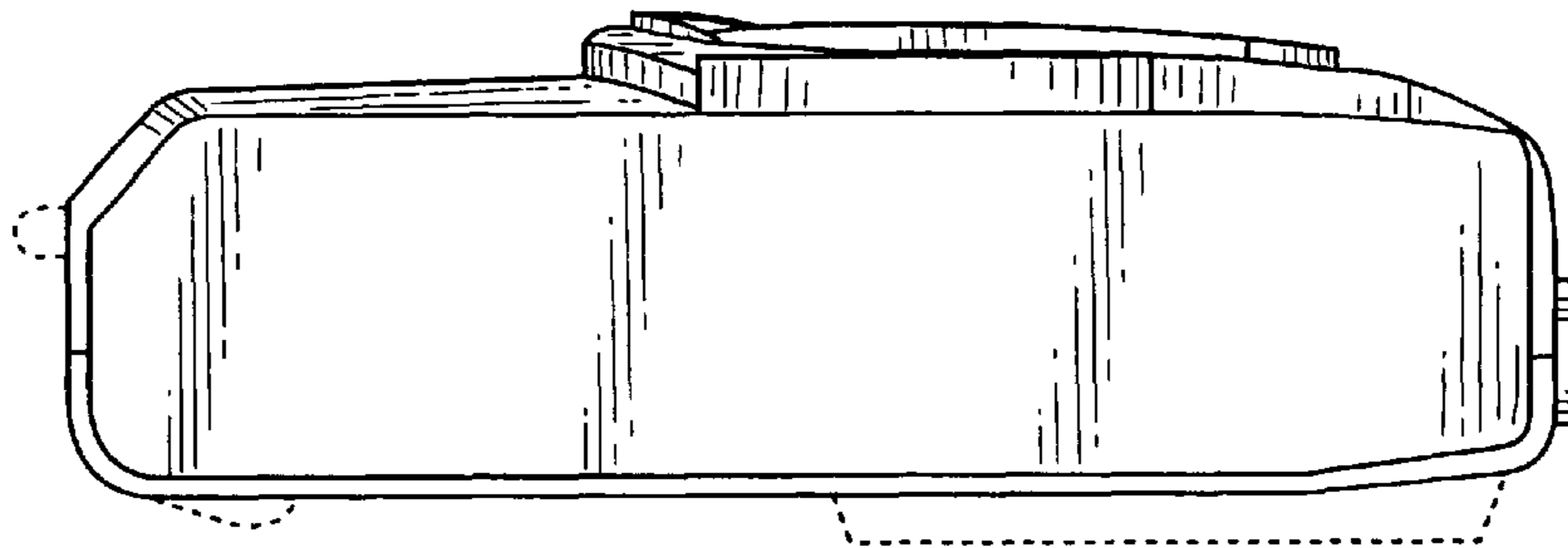


FIG.8

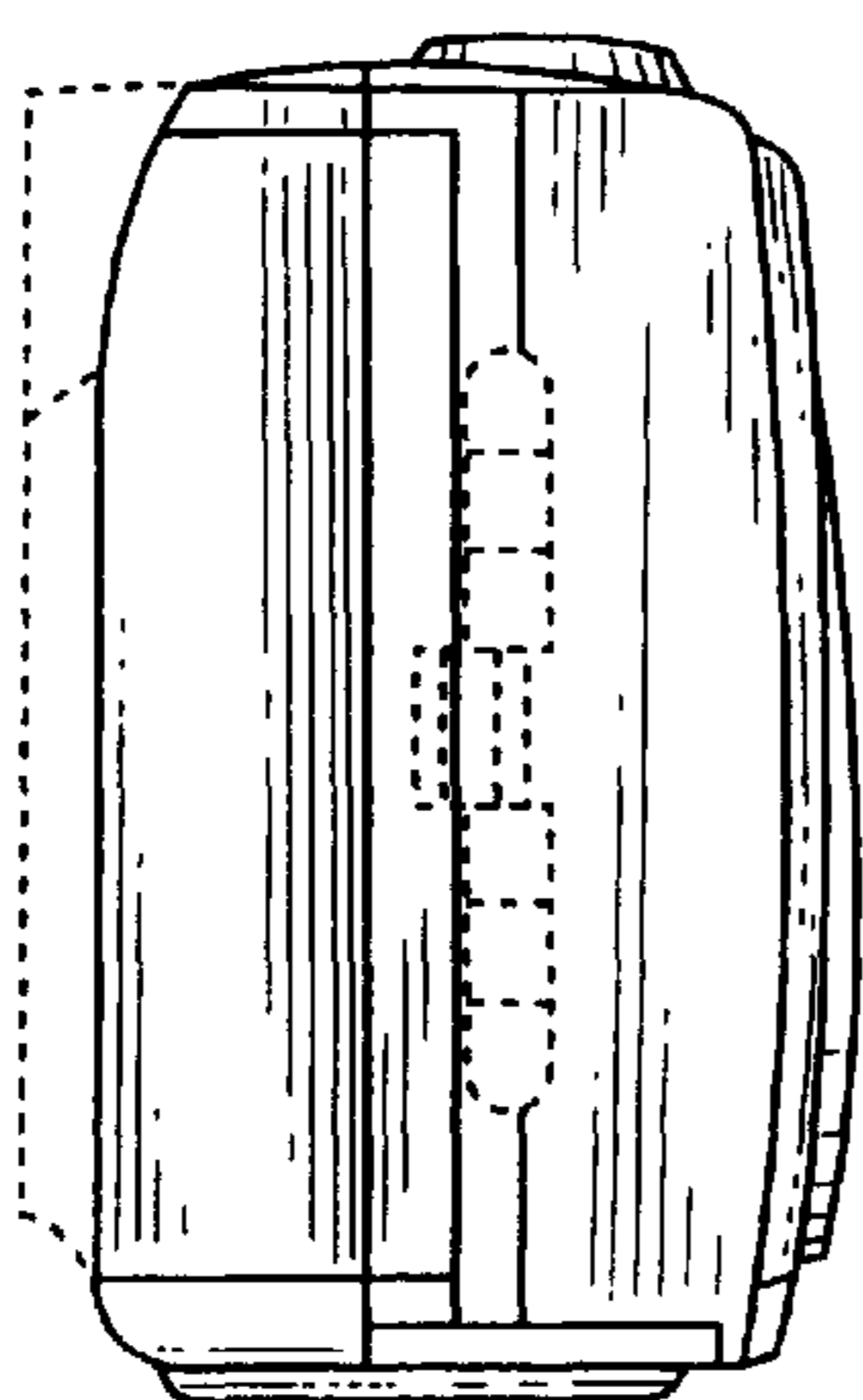


FIG.7

