



US00D465799S

(12) **United States Design Patent**  
**Asaka et al.**

(10) **Patent No.:** **US D465,799 S**

(45) **Date of Patent:** **\*\* Nov. 19, 2002**

(54) **MICROSCOPE**

(75) Inventors: **Takeshi Asaka**, Tokyo (JP); **Minoru Inoue**, Ina (JP); **Shinichiro Shiba**, Minowa-machi (JP)

(73) Assignee: **Olympus Optical Co., Ltd.**, Tokyo (JP)

(\*\*) Term: **14 Years**

(21) Appl. No.: **29/147,370**

(22) Filed: **Aug. 27, 2001**

(30) **Foreign Application Priority Data**

Feb. 27, 2001 (JP) ..... 2001-004635

(51) **LOC (7) Cl.** ..... **16-06**

(52) **U.S. Cl.** ..... **D16/131**

(58) **Field of Search** ..... D16/160, 161;  
359/376, 377, 375, 378, 381, 382, 383,  
385, 368, 393

(56) **References Cited**

**U.S. PATENT DOCUMENTS**

3,721,827 A \* 3/1973 Reinheimer ..... 359/392  
4,168,881 A \* 9/1979 Rosenberger ..... 359/381

4,299,440 A \* 11/1981 Hodgson ..... 359/393  
D273,592 S \* 4/1984 Armbruster ..... D16/131  
D296,904 S \* 7/1988 Lukaszewski ..... D16/131  
D345,746 S \* 4/1994 Hölbl ..... D16/131  
D354,761 S \* 1/1995 Komatsuzaki et al. .... D16/131  
D400,548 S \* 11/1998 Komatsuzaki ..... D16/131  
D420,028 S \* 2/2000 Wani et al. .... D16/131  
D440,996 S \* 4/2001 Takanashi ..... D16/131

\* cited by examiner

*Primary Examiner*—Paula A. Mortimer

(74) *Attorney, Agent, or Firm*—Hogan & Hartson, LLP

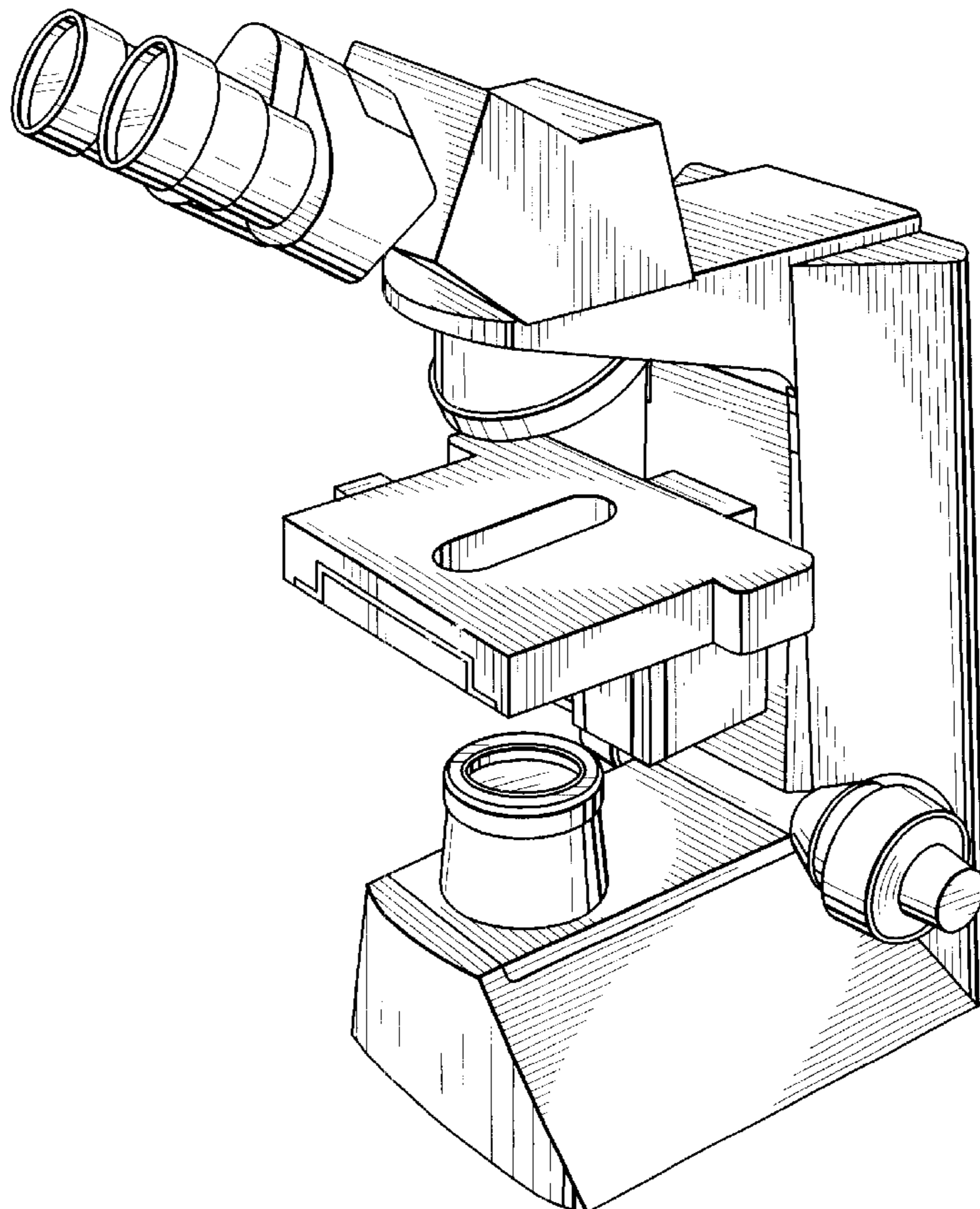
(57) **CLAIM**

The ornamental design for a microscope, as shown.

**DESCRIPTION**

FIG. 1 is a front, top and right side perspective view of a microscope, showing our new design;  
FIG. 2 is a front elevational view thereof;  
FIG. 3 is a rear elevational view thereof;  
FIG. 4 is a right side elevational view thereof;  
FIG. 5 is a left side elevational view thereof;  
FIG. 6 is a top plan view thereof; and,  
FIG. 7 is a bottom plan view thereof.

**1 Claim, 7 Drawing Sheets**



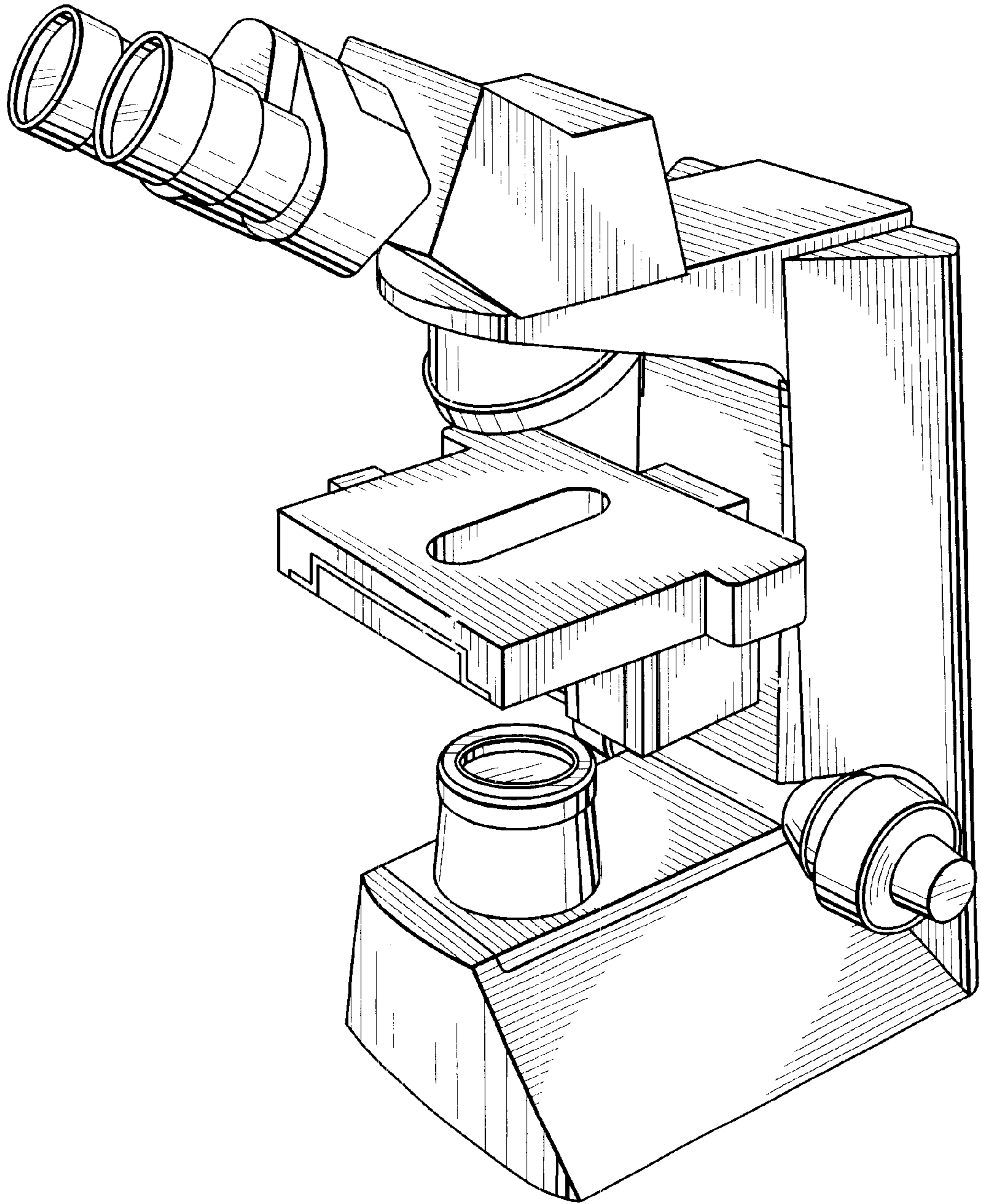


FIG. 1

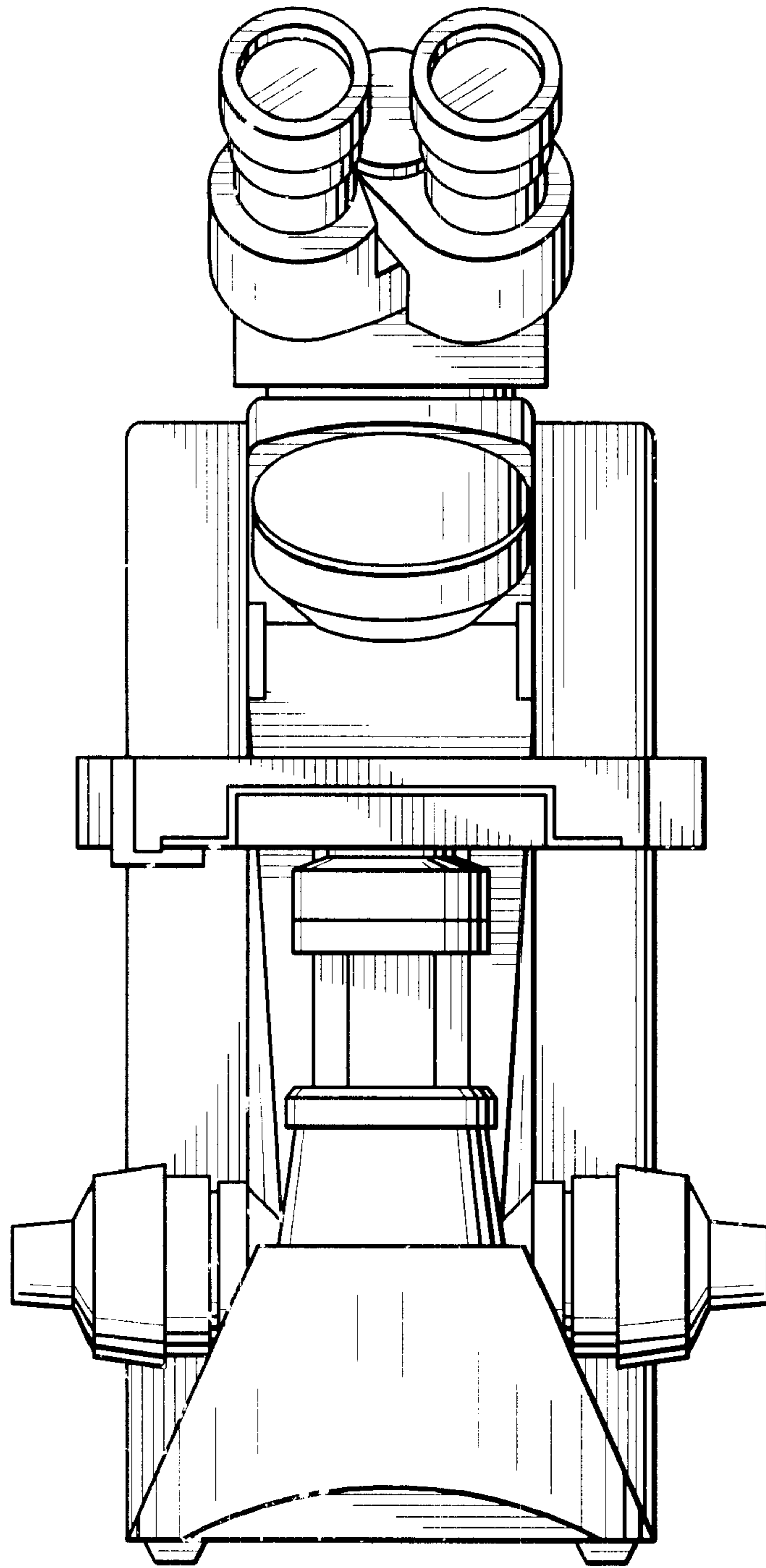


FIG. 2

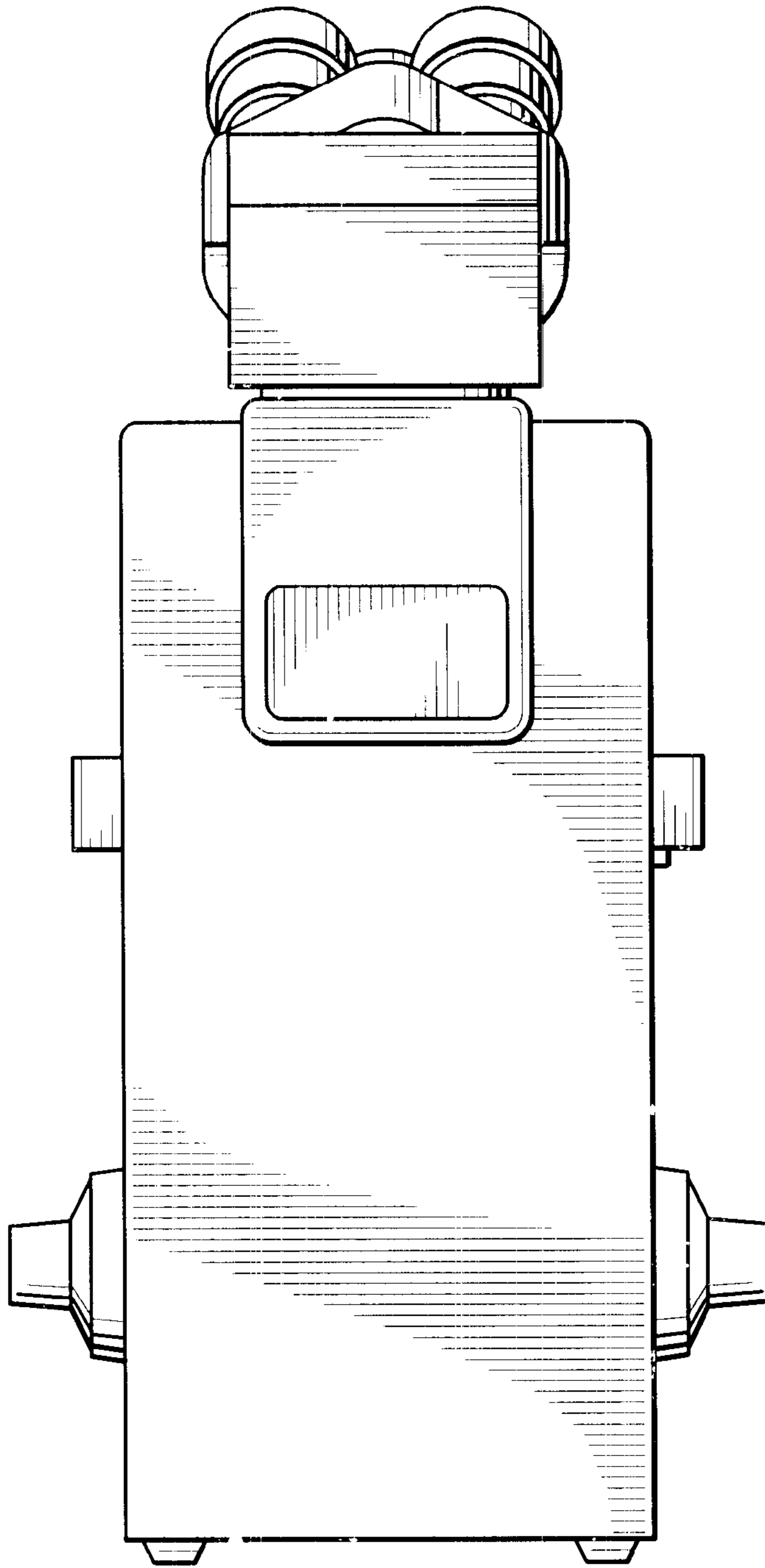


FIG. 3

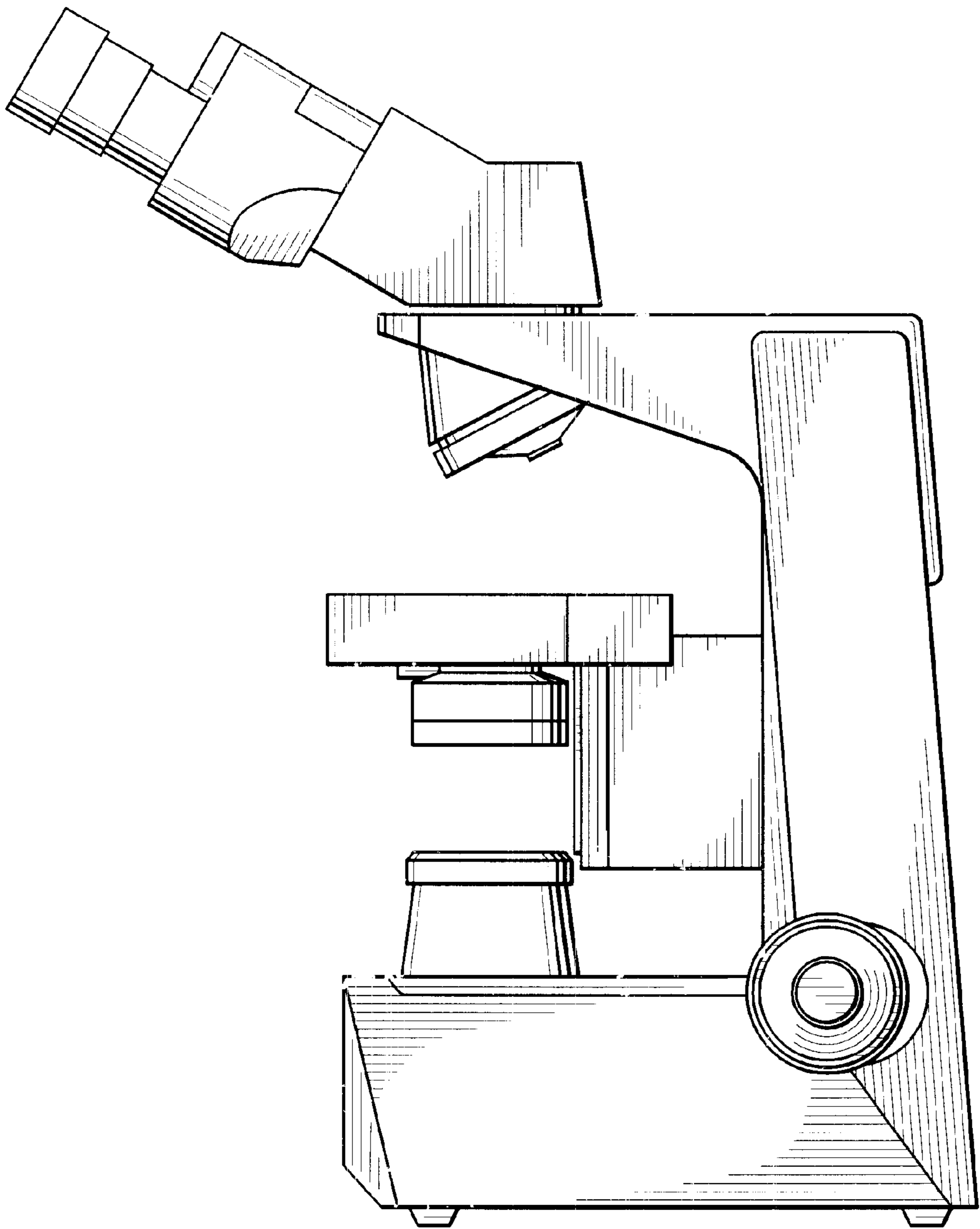


FIG. 4



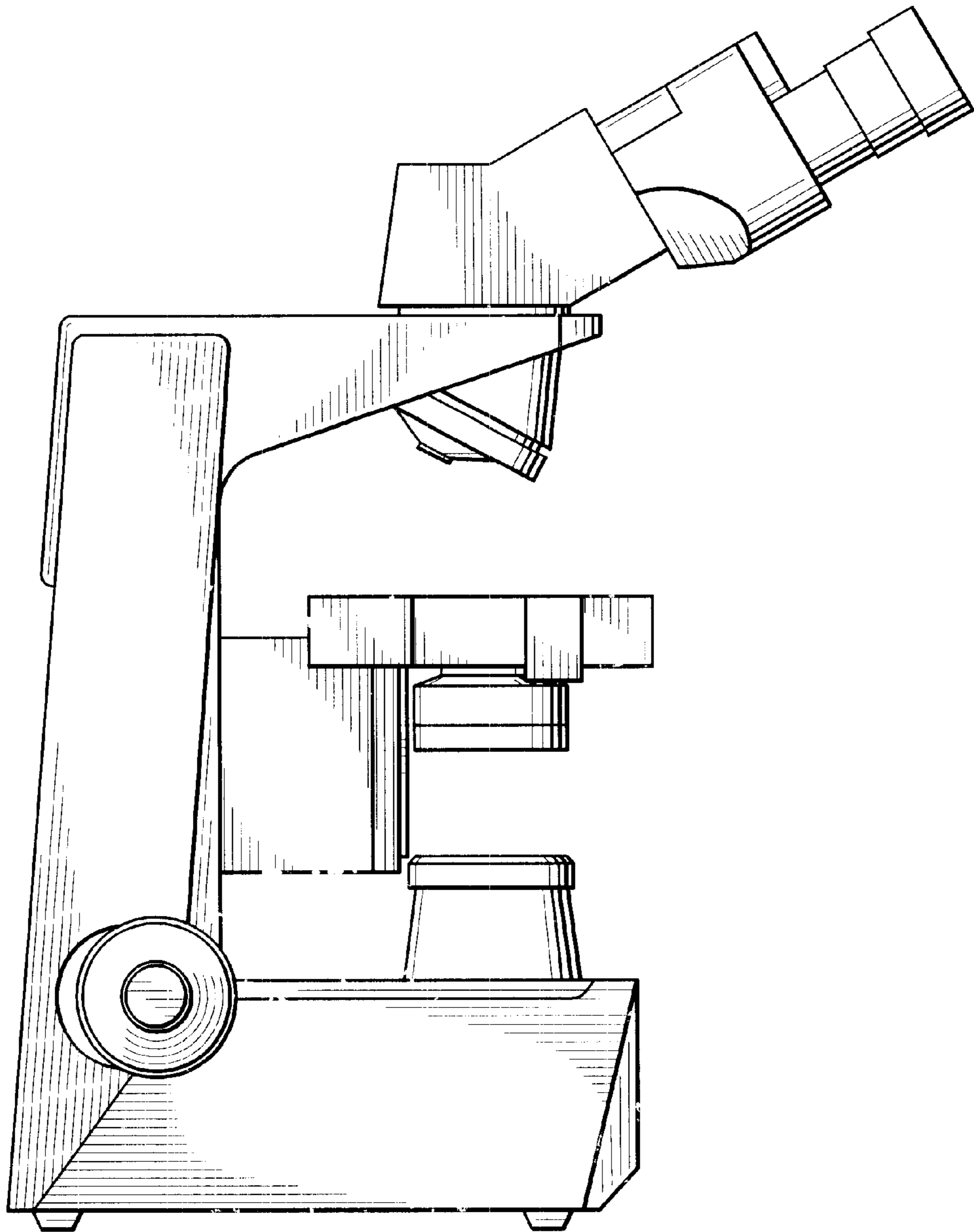


FIG. 5

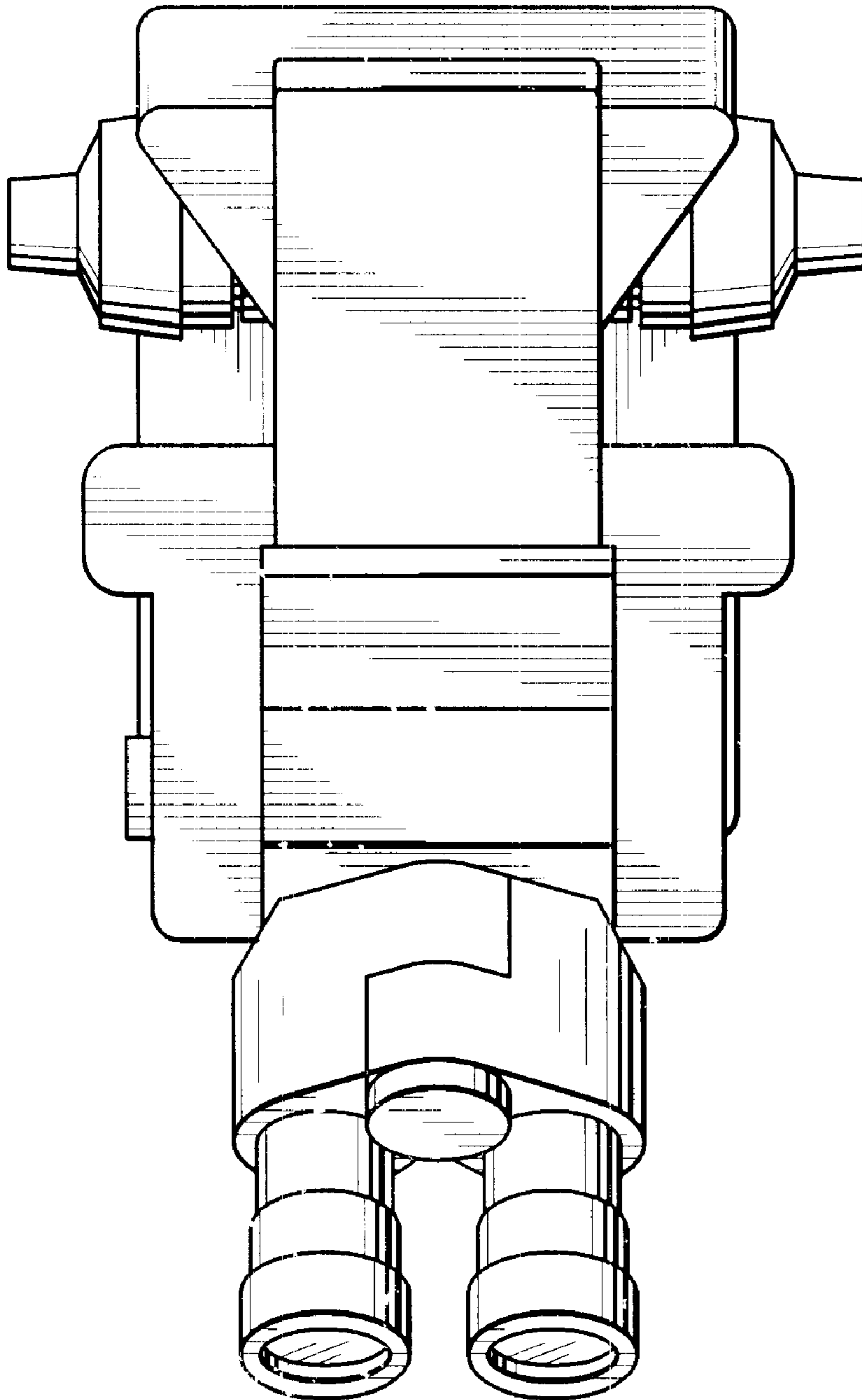


FIG. 6

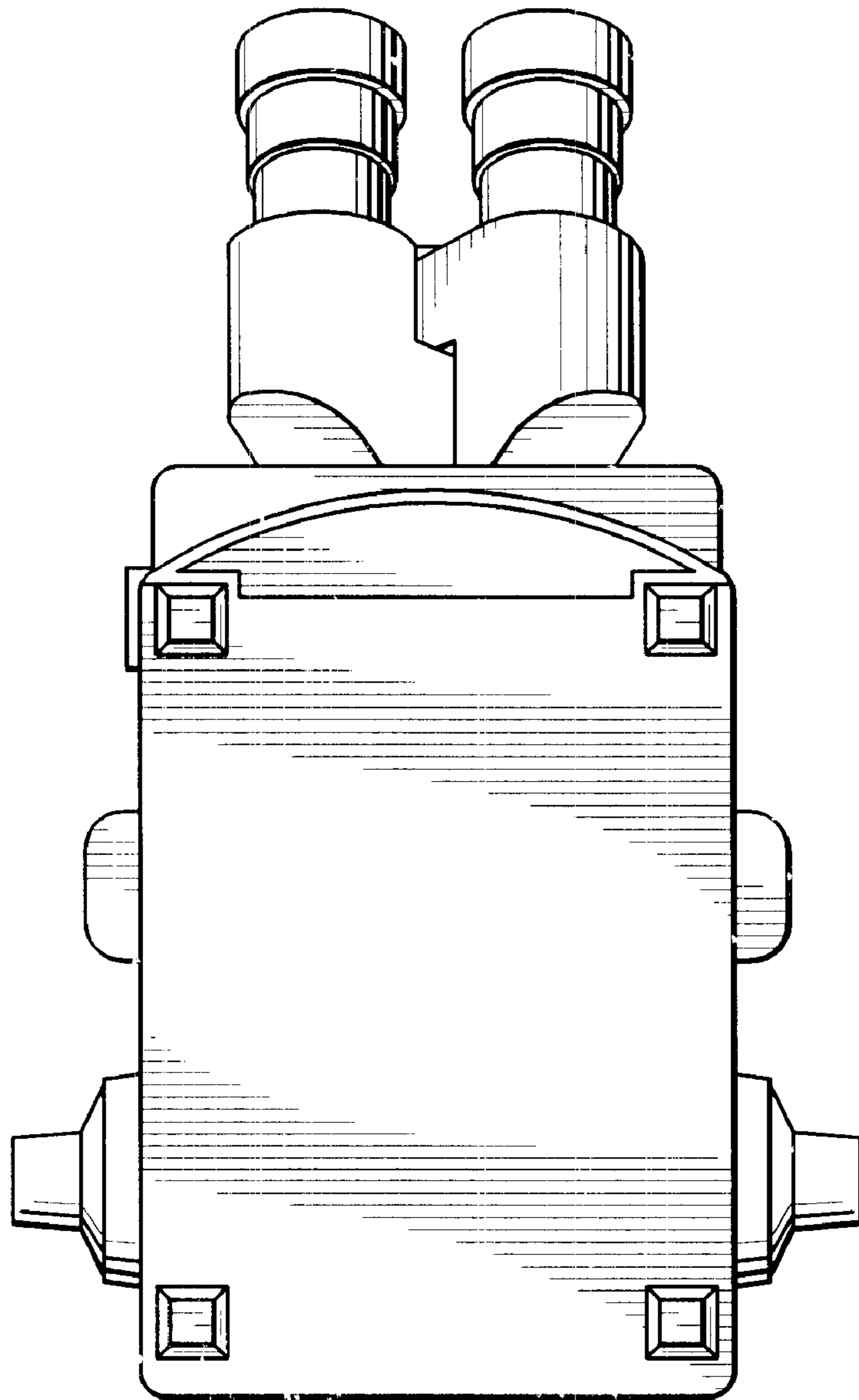


FIG. 7