



US00D465797S

(12) **United States Design Patent**
Landerholm et al.

(10) **Patent No.:** **US D465,797 S**

(45) **Date of Patent:** **** Nov. 19, 2002**

(54) **LINEAR ACTUATOR CONTROL BOX**

(75) Inventors: **John Landerholm**, Aarhus (DK); **Peter Lund**, Aarhus (DK)

(73) Assignee: **Linak A/S**, Nordborg (DK)

(**) Term: **14 Years**

(21) Appl. No.: **29/157,370**

(22) Filed: **Mar. 19, 2002**

Related U.S. Application Data

(62) Division of application No. 29/139,463, filed on Apr. 2, 2001, now Pat. No. Des. 458,284.

(30) **Foreign Application Priority Data**

Oct. 3, 2000 (DK) MA 2000 01068

(51) **LOC (7) Cl.** **15-09**

(52) **U.S. Cl.** **D15/143**

(58) **Field of Search** D15/143, 199;
74/89.15, 490.09, 411.5, 73.12, 335; 310/20,
80; 297/14, 325, 327; 91/61, 451, 136

(56) **References Cited**

U.S. PATENT DOCUMENTS

6,116,139 A * 9/2000 Yuda, Jr. et al. 91/61
6,349,608 B1 * 2/2002 Lenzi 74/473.12

* cited by examiner

Primary Examiner—Antoine Duval Davis

(74) *Attorney, Agent, or Firm*—Dykema Gossett PLLC

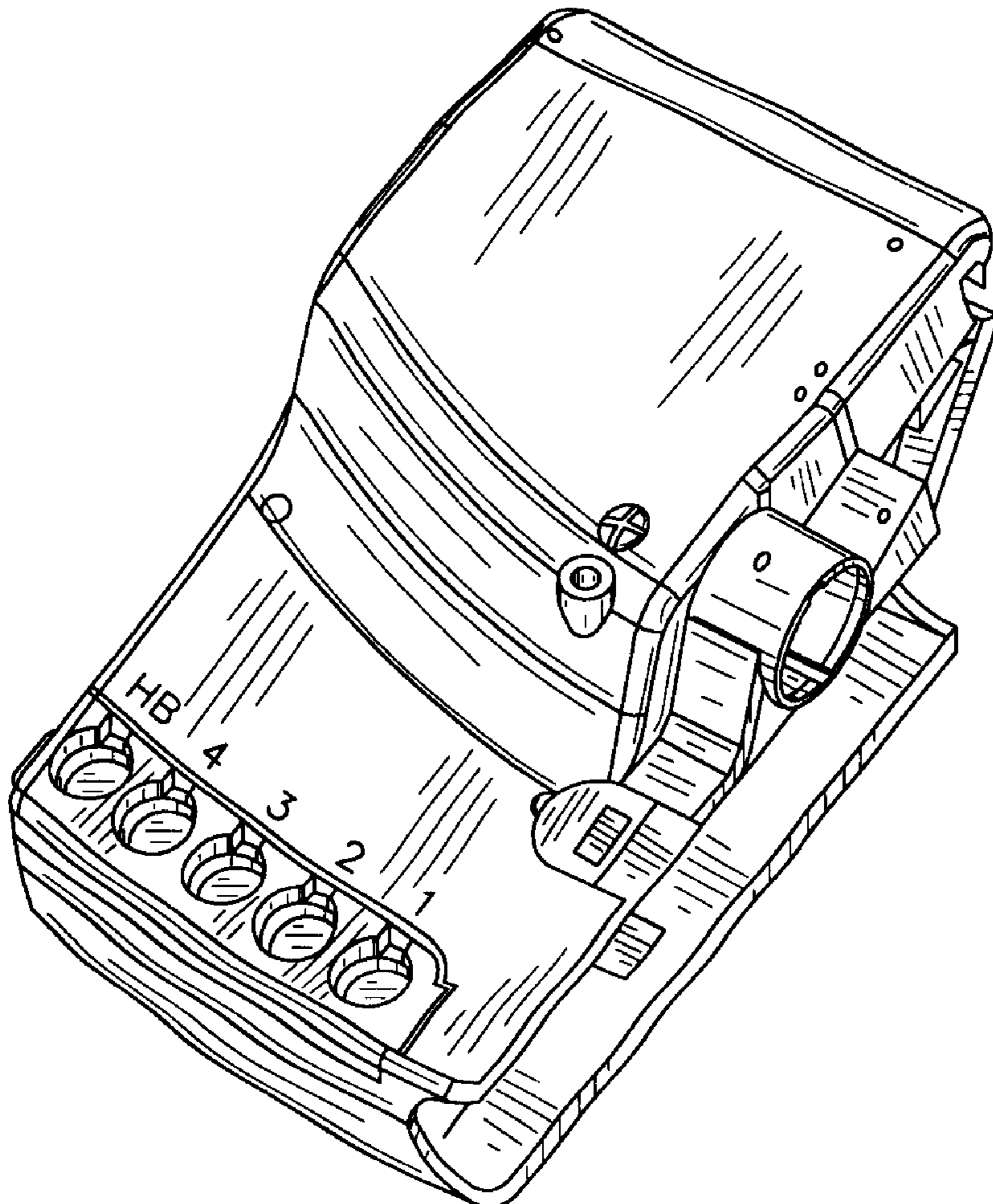
(57) **CLAIM**

The ornamental design for a linear actuator control box, as shown and described.

DESCRIPTION

FIG. 1 is a perspective view of a linear actuator control box showing our new ornamental design, FIG. 2 is a perspective bottom view thereof, FIG. 3 is a top plan view thereof, FIG. 4 is a bottom plan view thereof, FIG. 5 is a front end view thereof, FIG. 6 is a rear end view thereof, FIG. 7 is a left side view thereof; and, FIG. 8 is a right side view thereof.

1 Claim, 3 Drawing Sheets



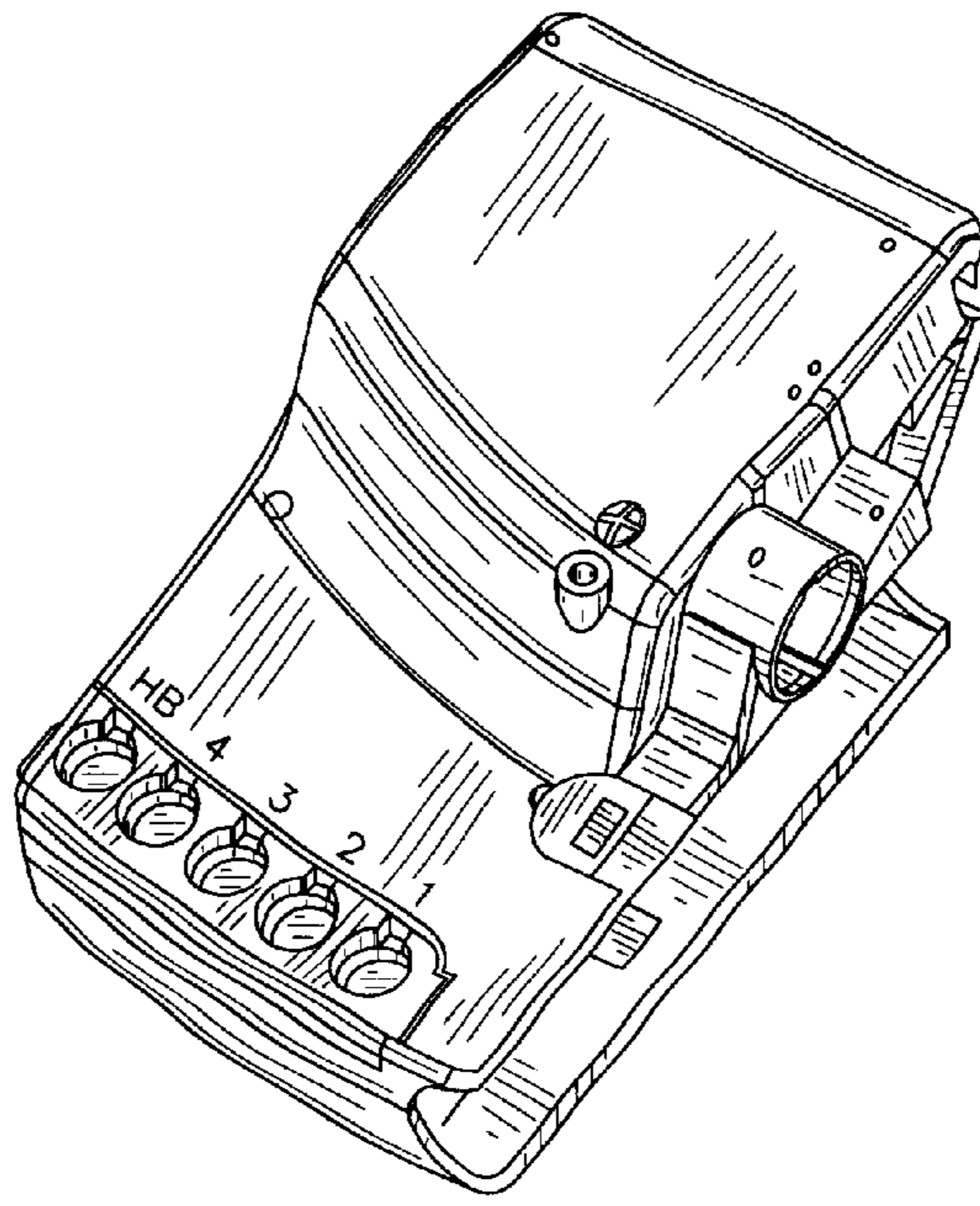


FIG. 1

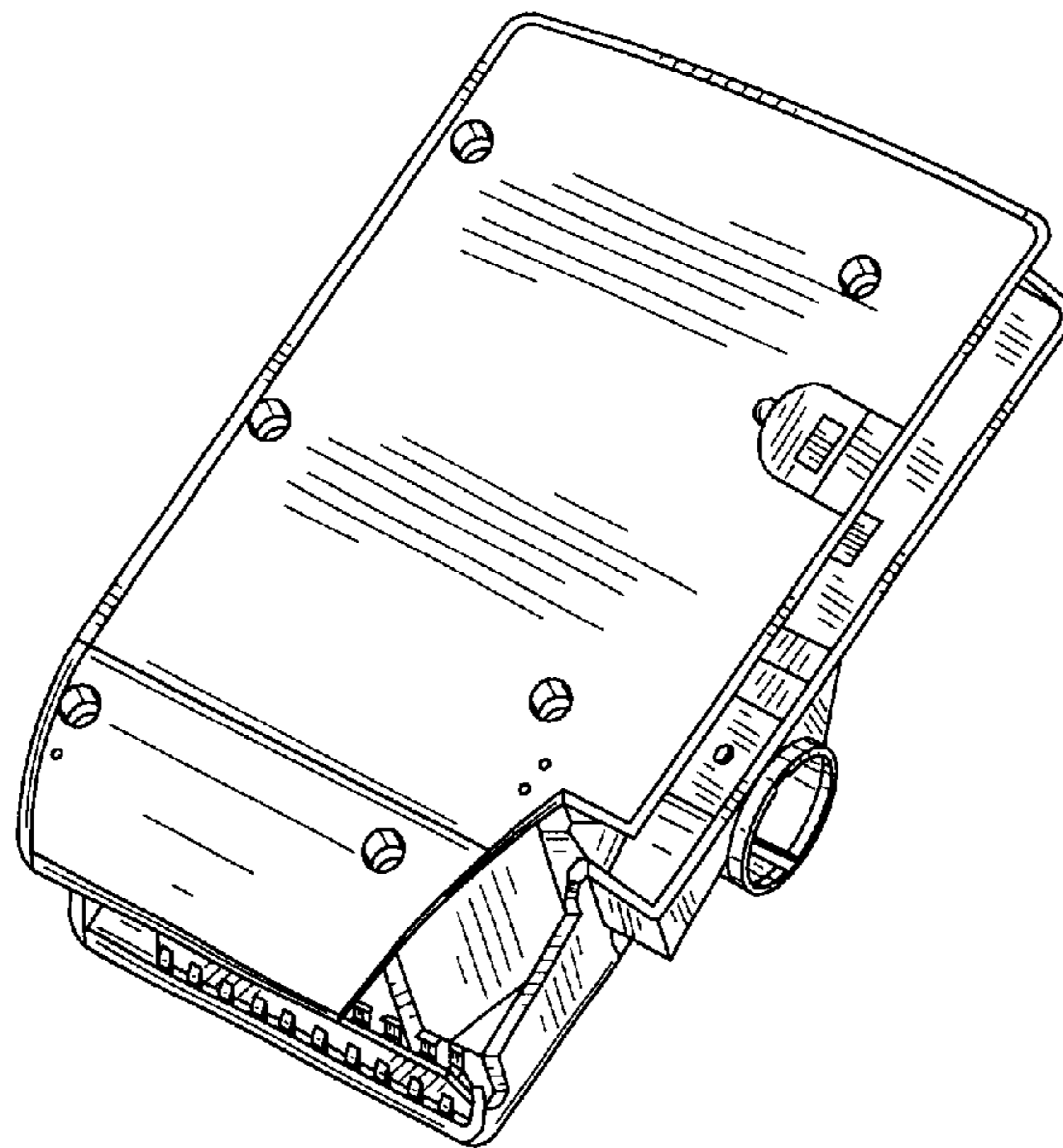


FIG. 2

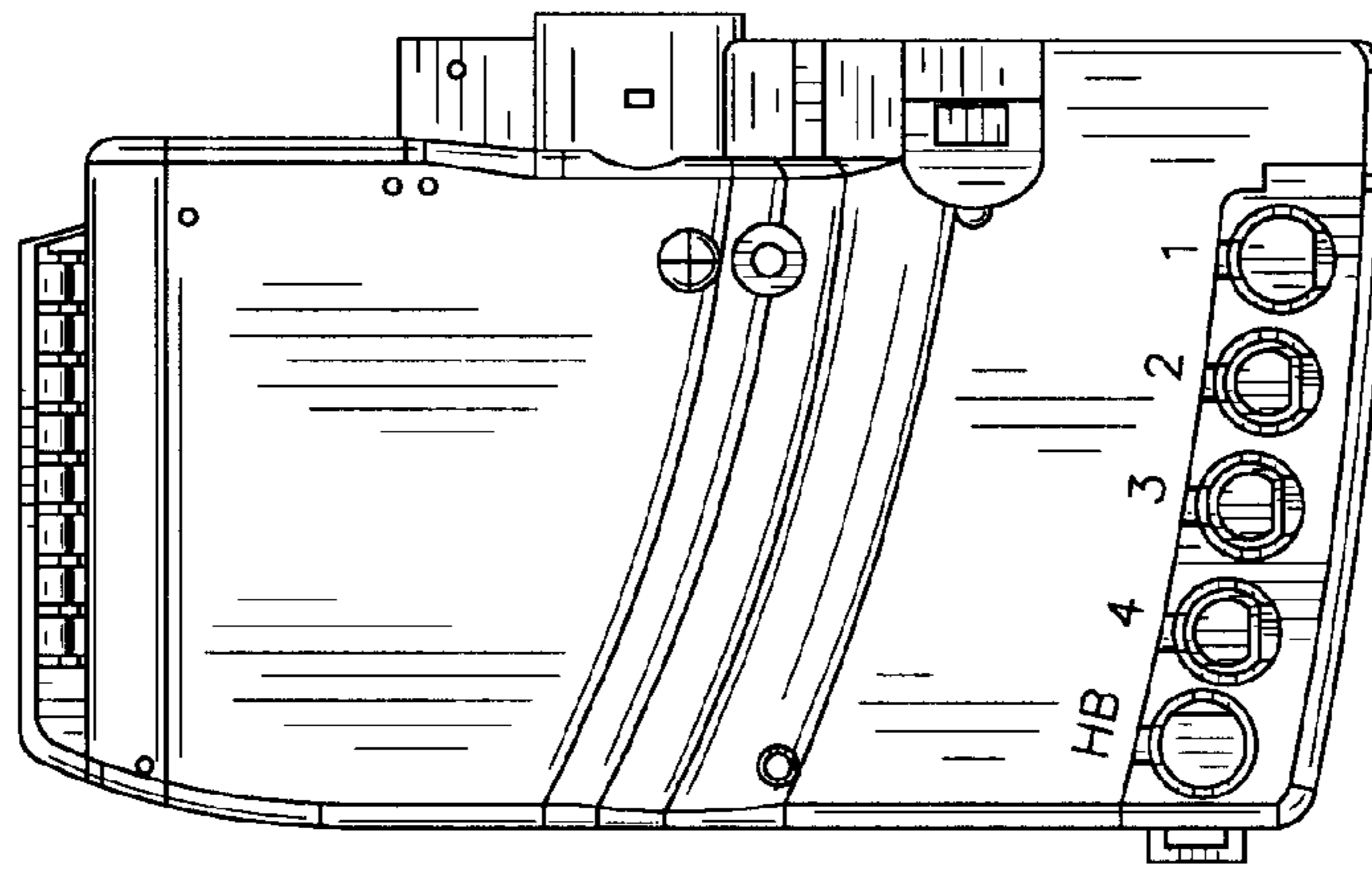


FIG. 3

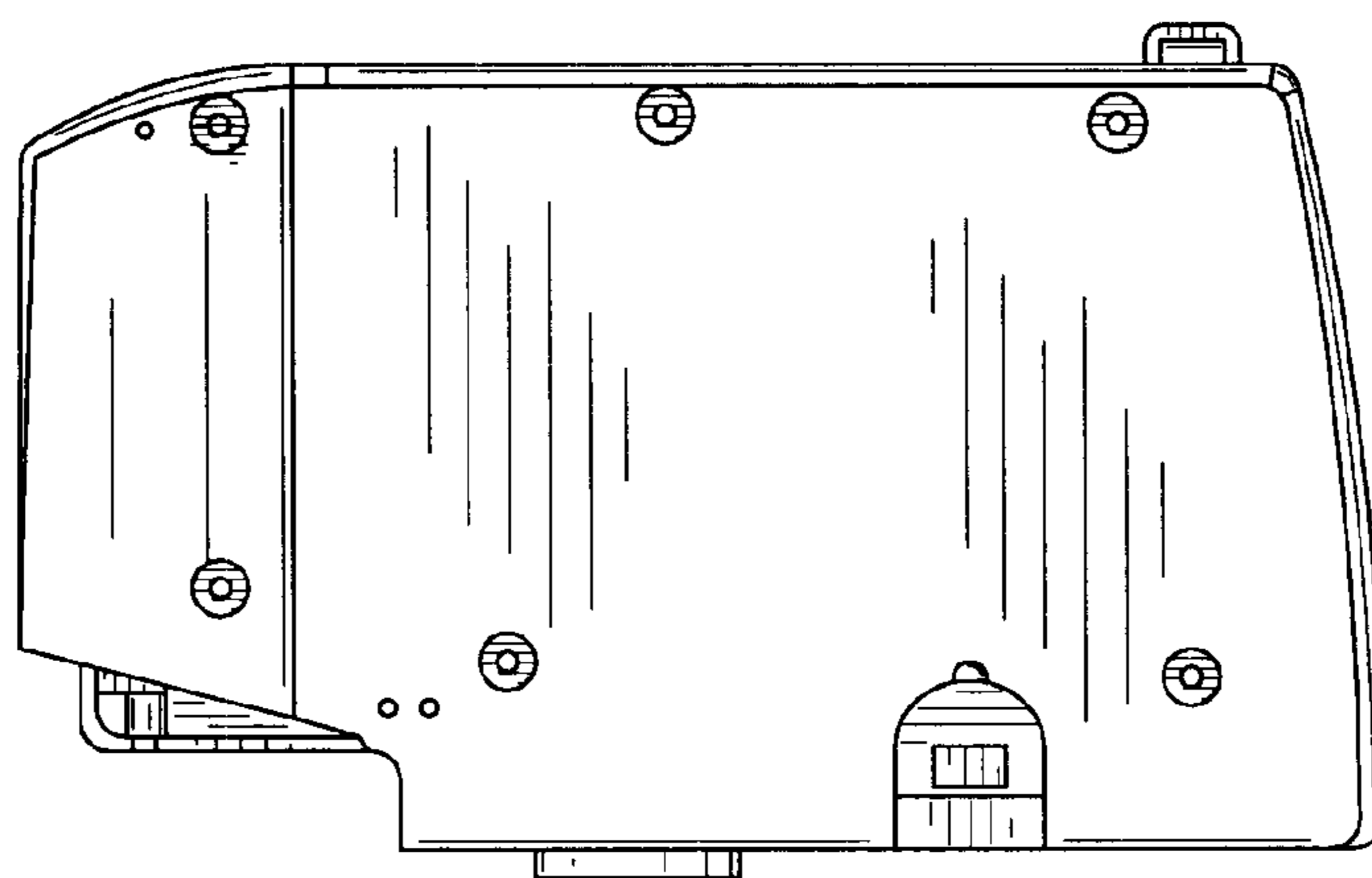


FIG. 4

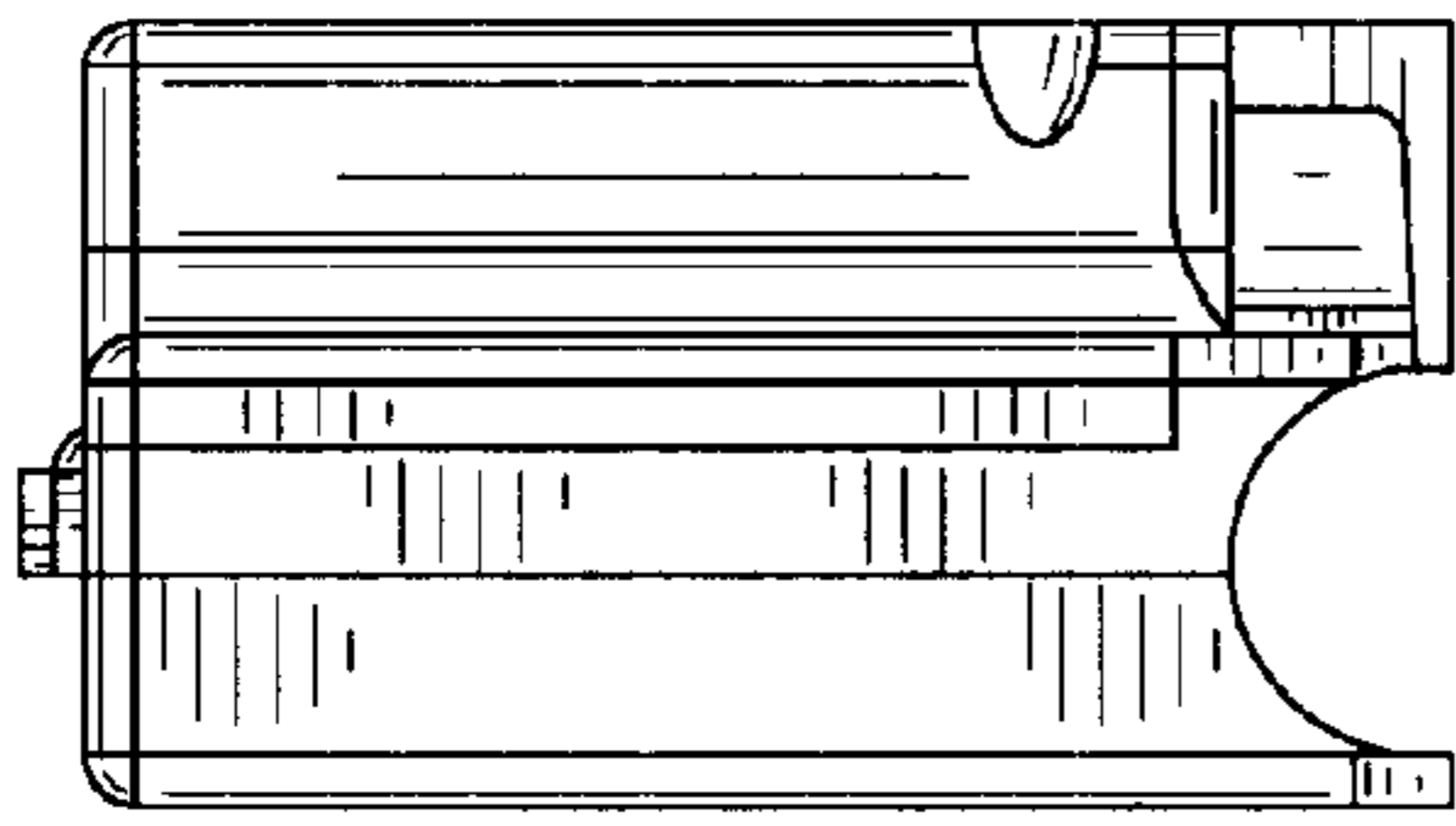


FIG. 5

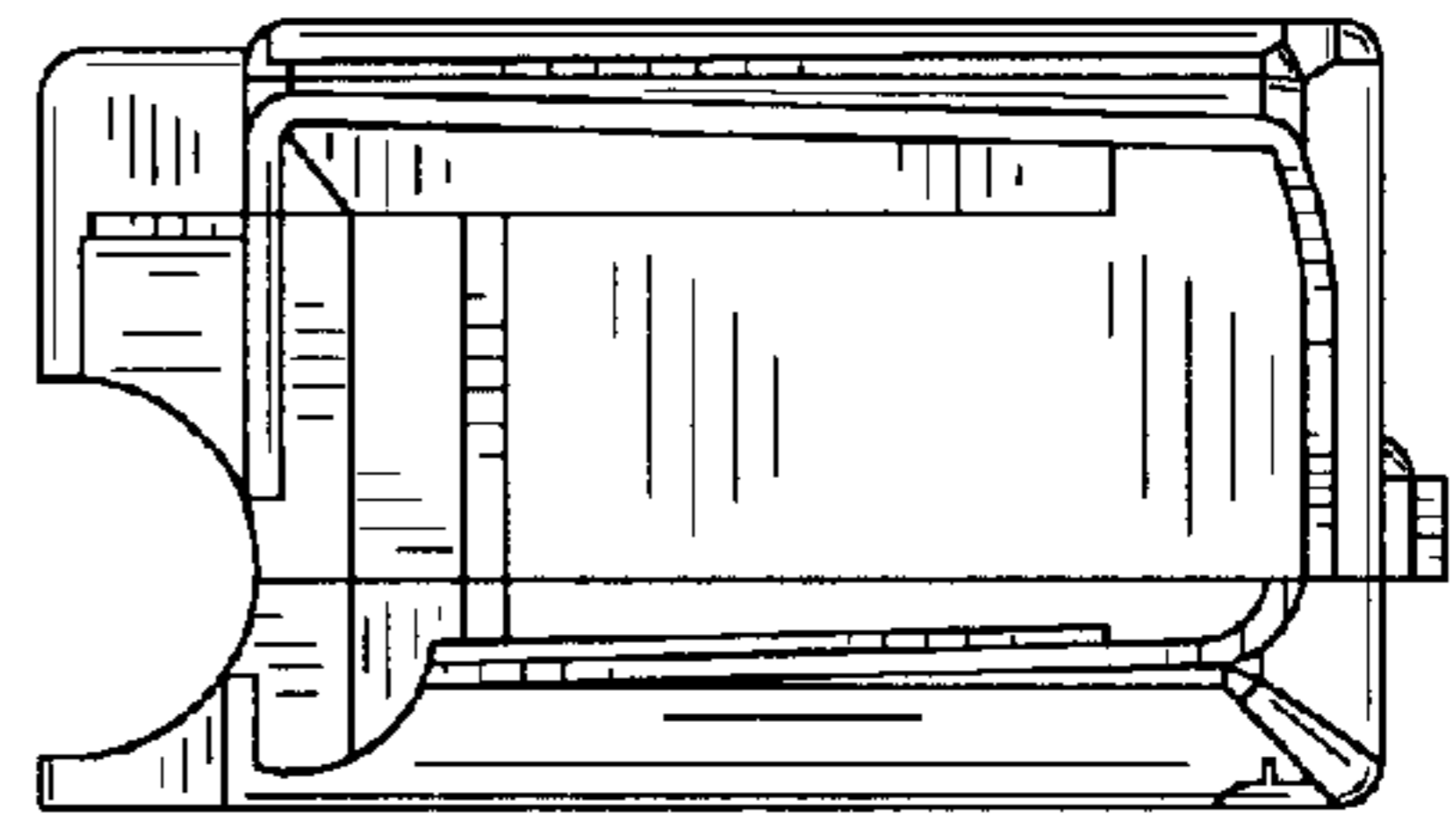


FIG. 6

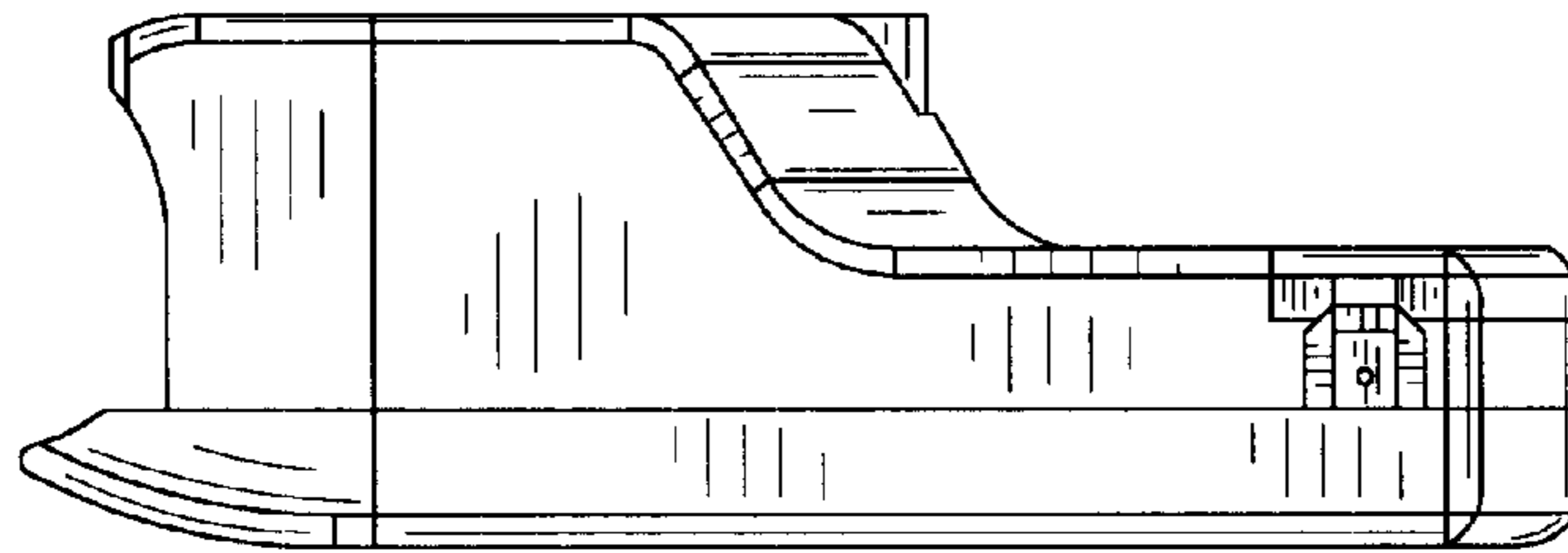


FIG. 7

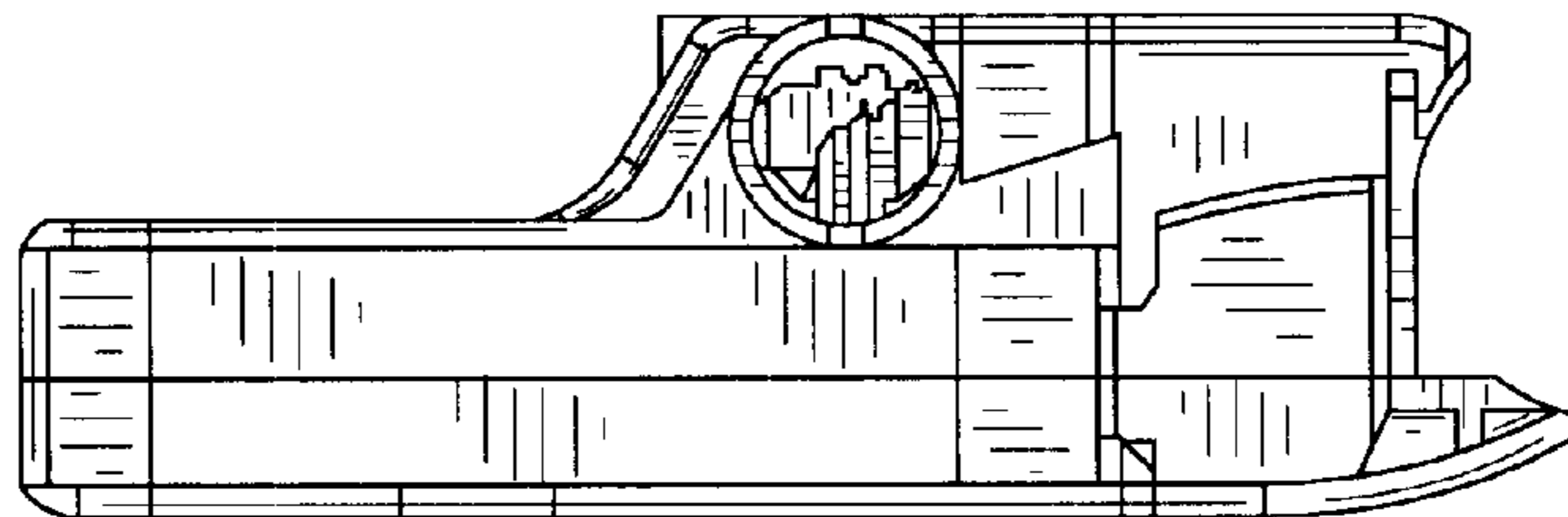


FIG. 8