



US00D465796S

(12) **United States Design Patent**
Kaneko et al.

(10) **Patent No.:** **US D465,796 S**

(45) **Date of Patent:** **** Nov. 19, 2002**

(54) **SWITCHING ASSEMBLY FOR FLUID PRESSURE ACTUATOR**

(75) Inventors: **Ryushiro Kaneko**, Ibaraki (JP); **Shinji Miyazoe**, Ibaraki (JP)

(73) Assignee: **SMC Corporation**, Tokyo (JP)

(**) Term: **14 Years**

(21) Appl. No.: **29/121,913**

(22) Filed: **Apr. 18, 2000**

(30) **Foreign Application Priority Data**

Oct. 18, 1999 (JP) 11-28502

(51) **LOC (7) Cl.** **15-09**

(52) **U.S. Cl.** **D15/143**

(58) **Field of Search** D15/143, 5; 74/89.15,
74/490.09; 92/5 R, 13.5, 88, 117 A; 310/20,
80

(56) **References Cited**

U.S. PATENT DOCUMENTS

D453,347 S * 2/2002 Kaneko et al. D15/143

OTHER PUBLICATIONS

U.S. patent application Ser. No. 29/121,914, filed on Apr. 18, 2000, pending.

U.S. patent application Ser. No. 29/121,921, filed on Apr. 18, 2000, pending.

* cited by examiner

Primary Examiner—Antoine Duval Davis

(74) *Attorney, Agent, or Firm*—Oblon, Spivak, McClelland, Maier & Neustadt, P.C.

(57) **CLAIM**

The ornamental design for a switching assembly for fluid pressure actuator, as shown and described.

DESCRIPTION

FIG. 1 is a top and right front perspective view of a switching assembly for fluid pressure actuator, showing our design;

FIG. 2 is a top plan view thereof;

FIG. 3 is a front elevational view thereof;

FIG. 4 is a rear elevational view thereof;

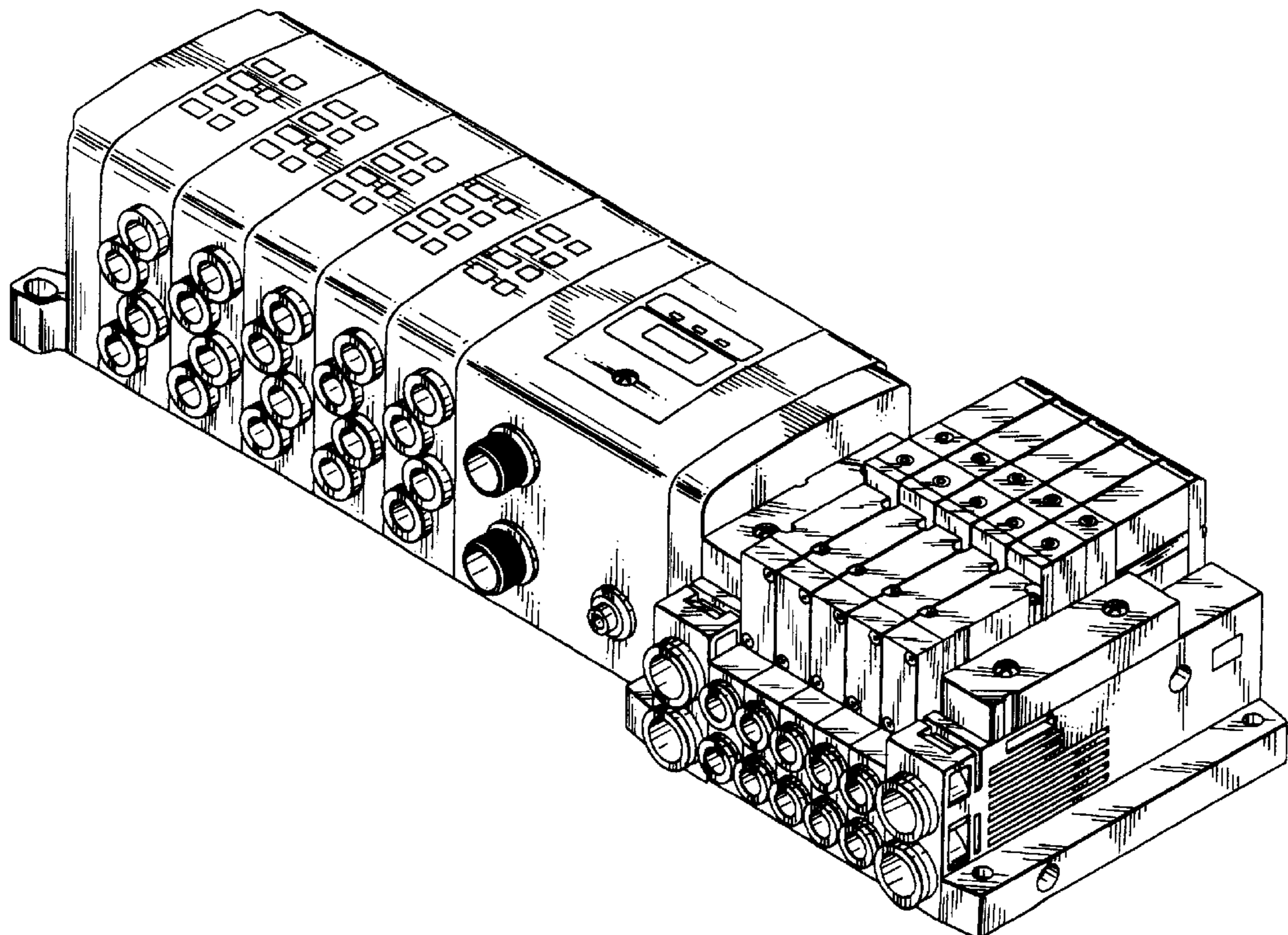
FIG. 5 is a bottom plan view thereof;

FIG. 6 is a left side elevational view thereof;

FIG. 7 is a right side elevational view thereof; and,

FIG. 8 is a top and right rear perspective view thereof.

1 Claim, 3 Drawing Sheets



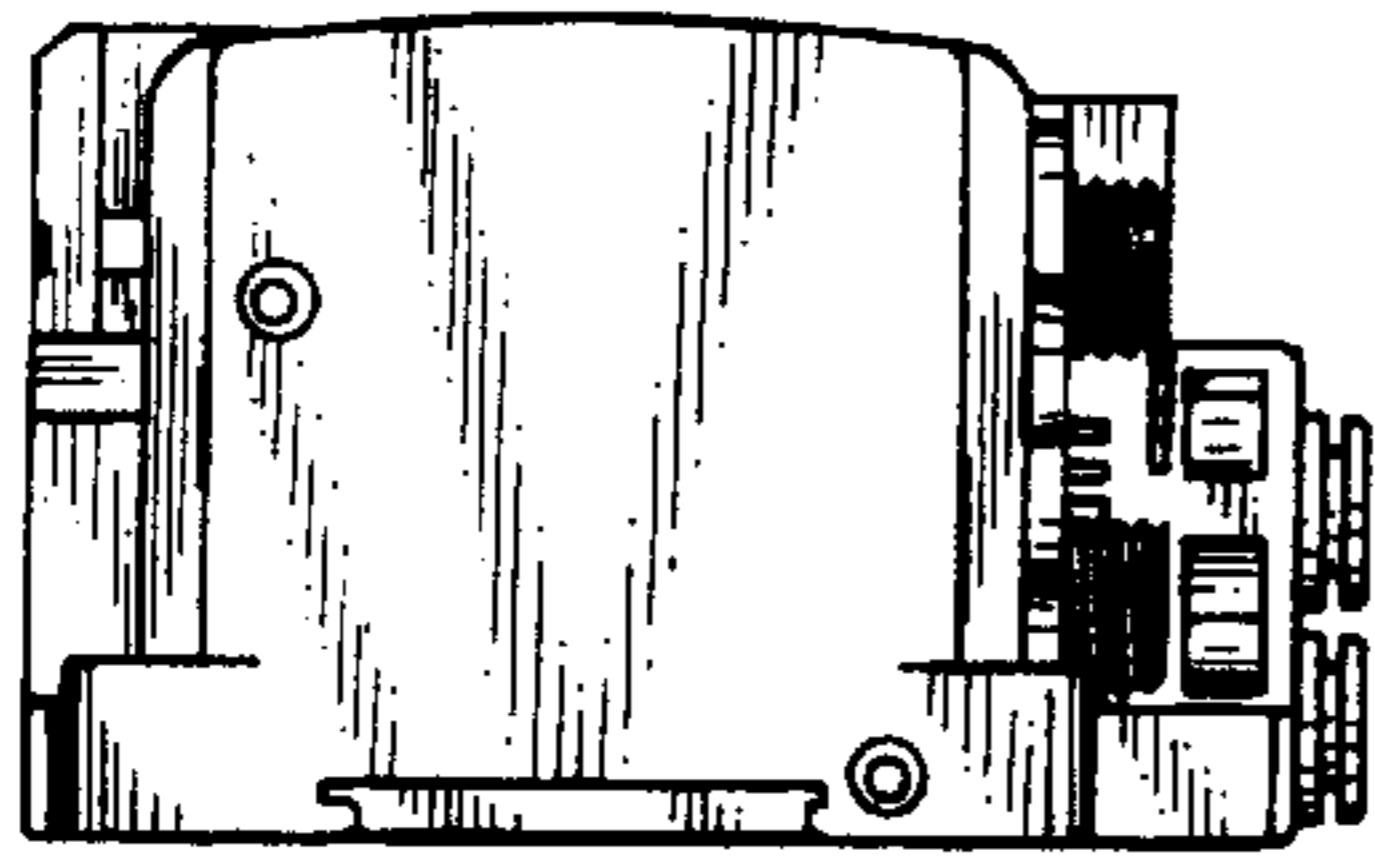


FIG. 6

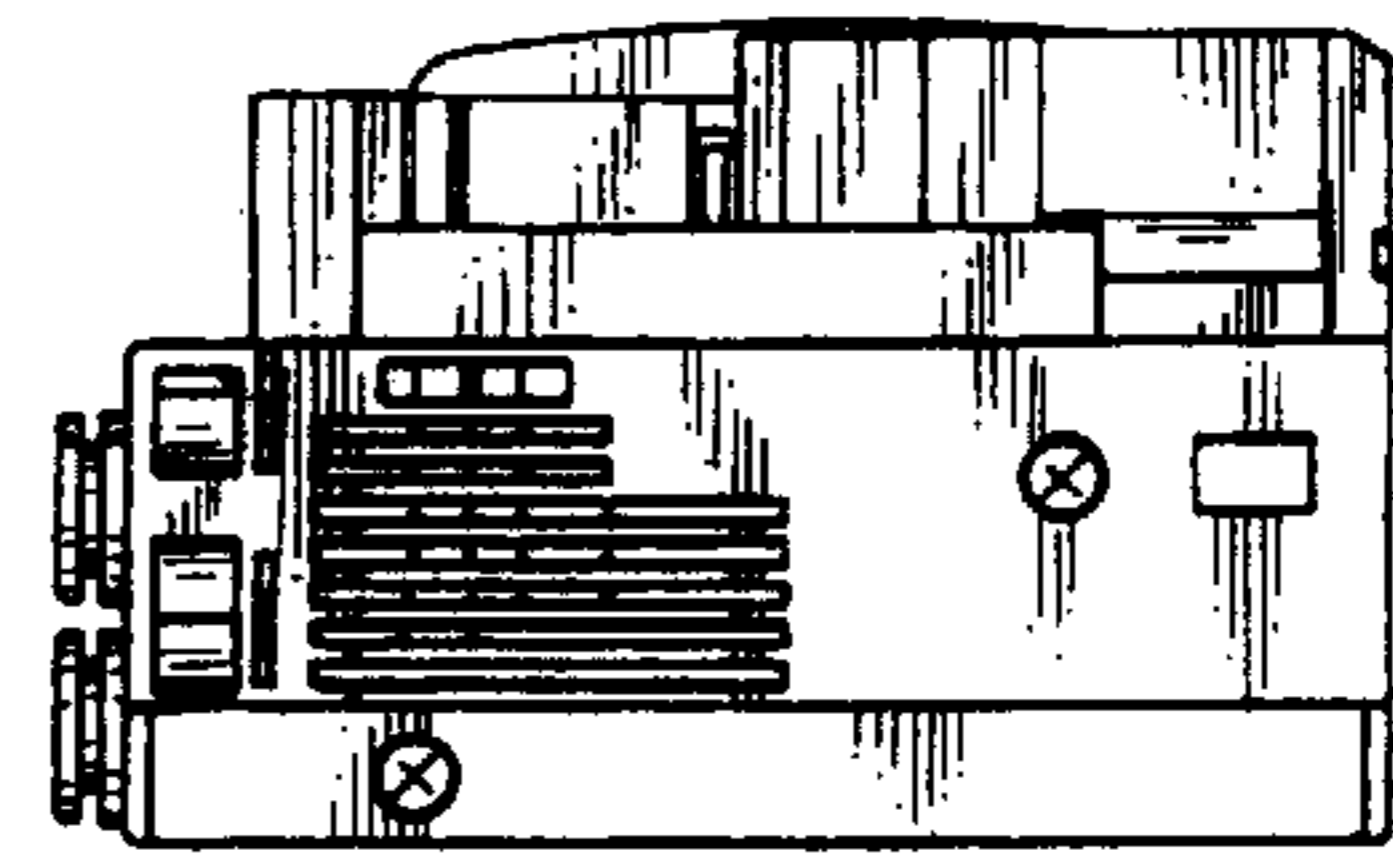


FIG. 7

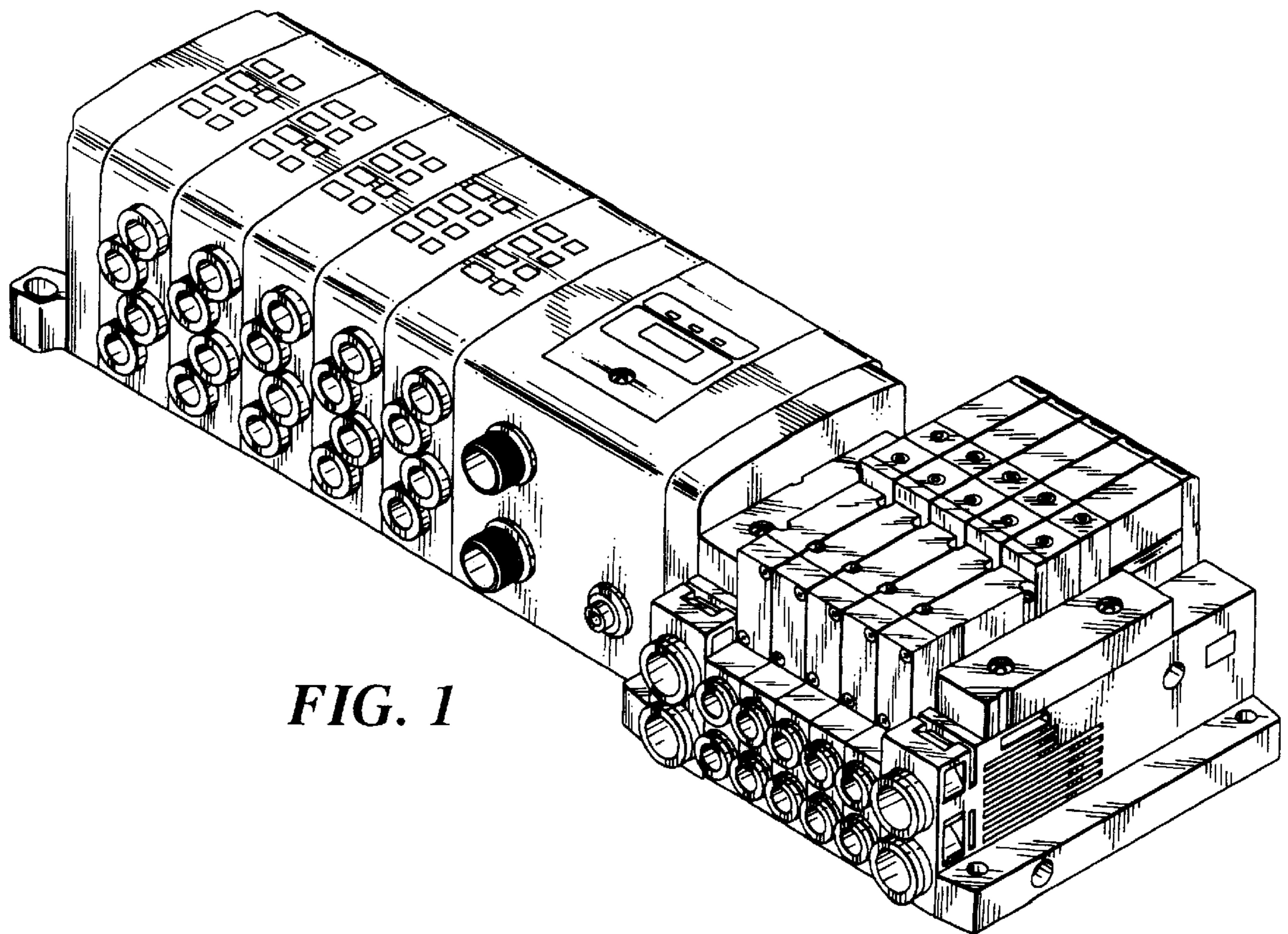


FIG. 1

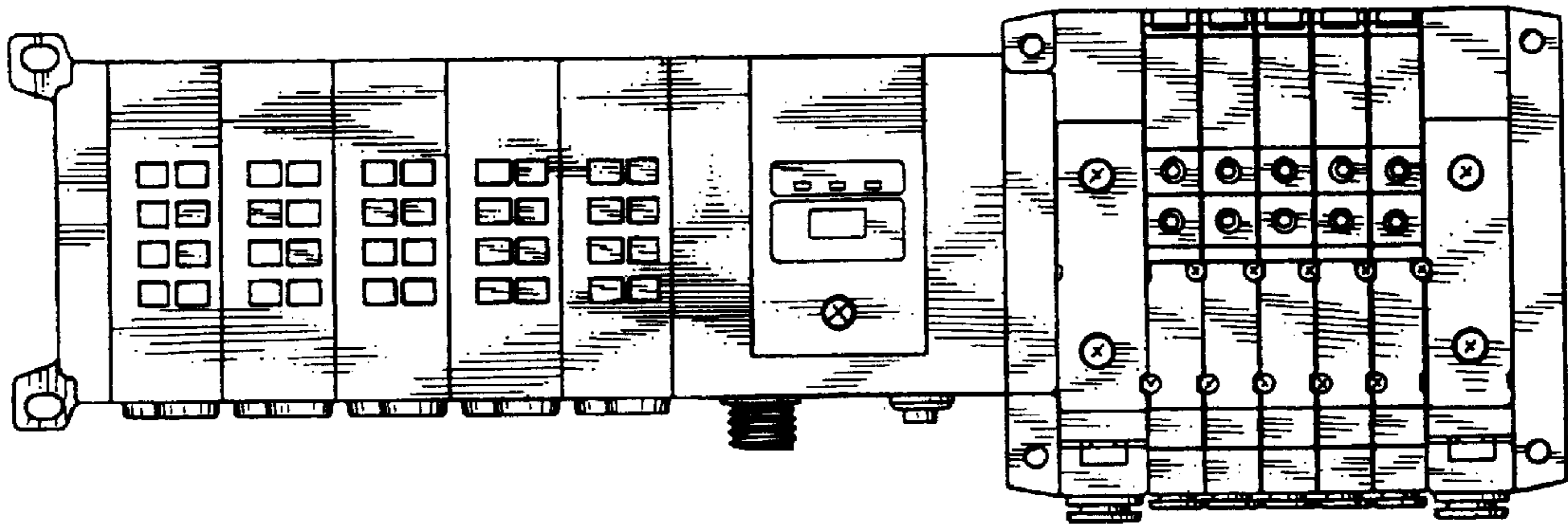


FIG. 2

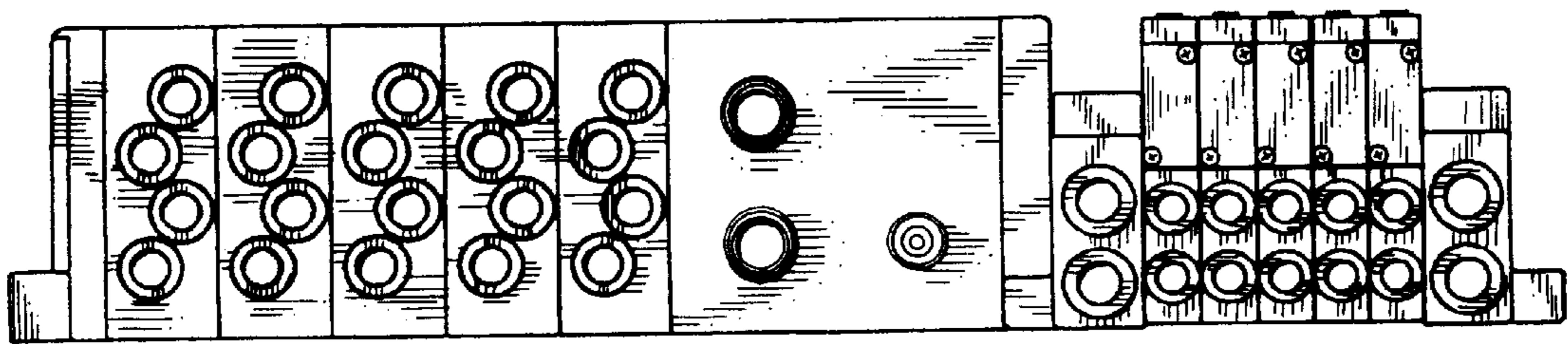


FIG. 3

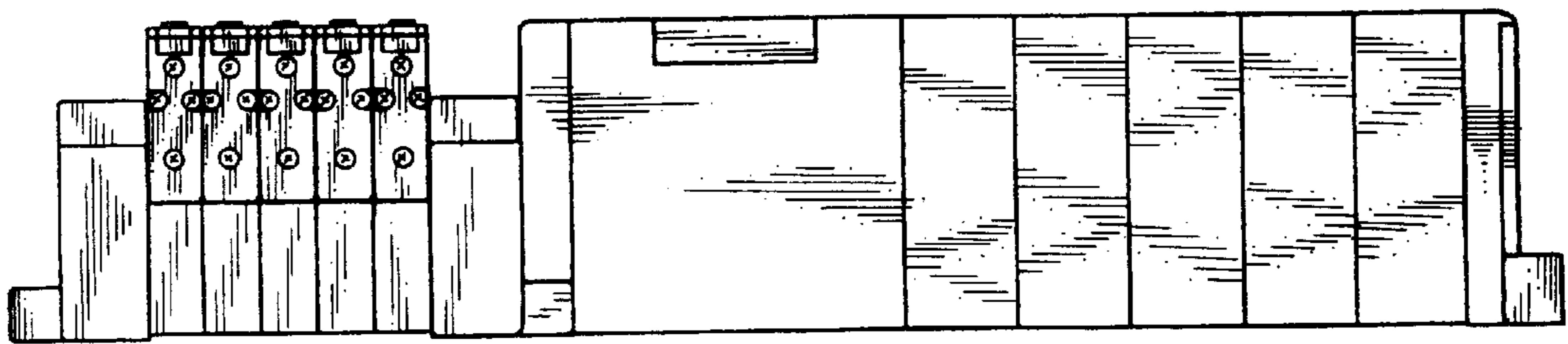


FIG. 4

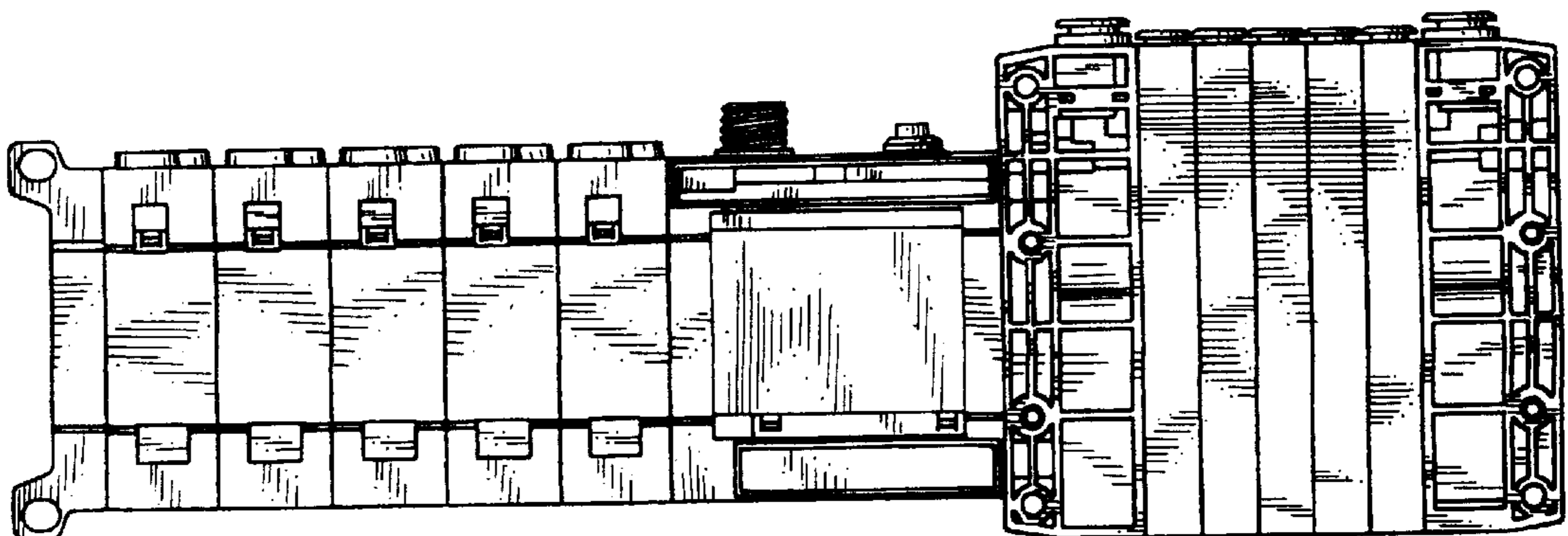


FIG. 5

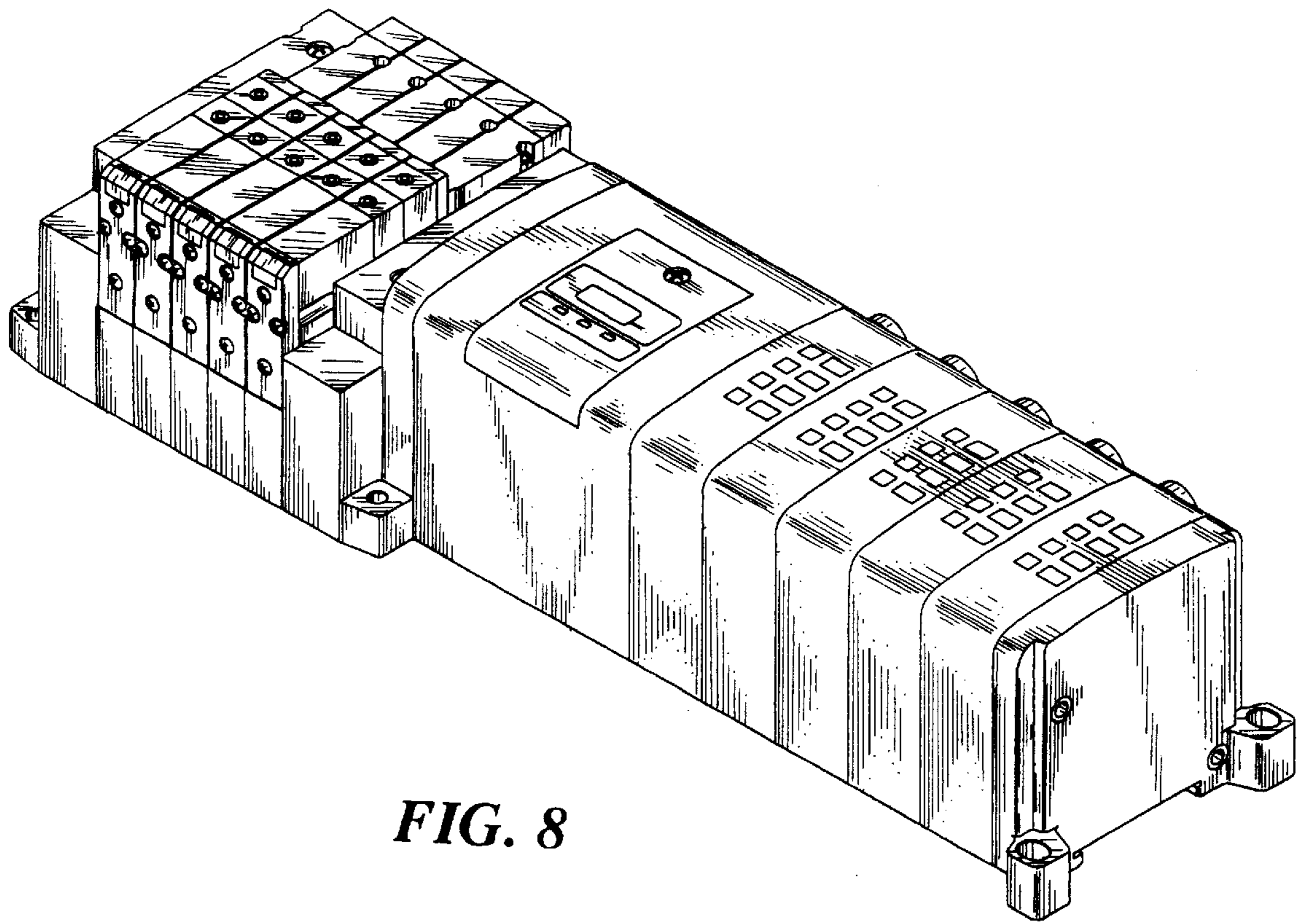


FIG. 8