



US00D465794S

(12) **United States Design Patent**
Tsai

(10) **Patent No.:** **US D465,794 S**

(45) **Date of Patent:** **** Nov. 19, 2002**

(54) **FLAT BED SEWING MACHINE**

(75) Inventor: **Wen-Chen Tsai, Tu-Chen (TW)**

(73) Assignee: **Kaulin Mfg. Co., Ltd., Taipei (TW)**

(**) Term: **14 Years**

(21) Appl. No.: **29/150,455**

(22) Filed: **Nov. 16, 2001**

(51) **LOC (7) Cl.** **15-06**

(52) **U.S. Cl.** **D15/69**

(58) **Field of Search** D15/66, 69-71;
112/260, 286

(56) **References Cited**

U.S. PATENT DOCUMENTS

4,220,103 A	*	9/1980	Kasahara et al.	112/260
D375,104 S	*	10/1996	Shibuya	D15/69
6,318,282 B1	*	11/2001	Tsai	112/286

* cited by examiner

Primary Examiner—Mitchell Siegel

(74) *Attorney, Agent, or Firm*—Thomas Schneck

(57) **CLAIM**

The ornamental design for a flat bed sewing machine, as shown and described.

DESCRIPTION

The subject creation relates to the ornamental shaping of a flat bed sewing machine.

As shown in the drawings, the outer appearance of the subject design is novel and possesses special visual effect; it is the best and most reasonable design to cope with its function, and the subject design has not been disclosed in any printed publication nor opened to the public before the application is filed and meets the requirements of a design patent.

FIG. 1 is the three dimensional view of the present design; FIG. 2 is the front view of the present design; FIG. 3 is the rear view of the present design; FIG. 4 is the left side view of the present design; FIG. 5 is the right side view of the present design; FIG. 6 is the top view of the present design; and, FIG. 7 is the bottom view of the present design.

1 Claim, 7 Drawing Sheets

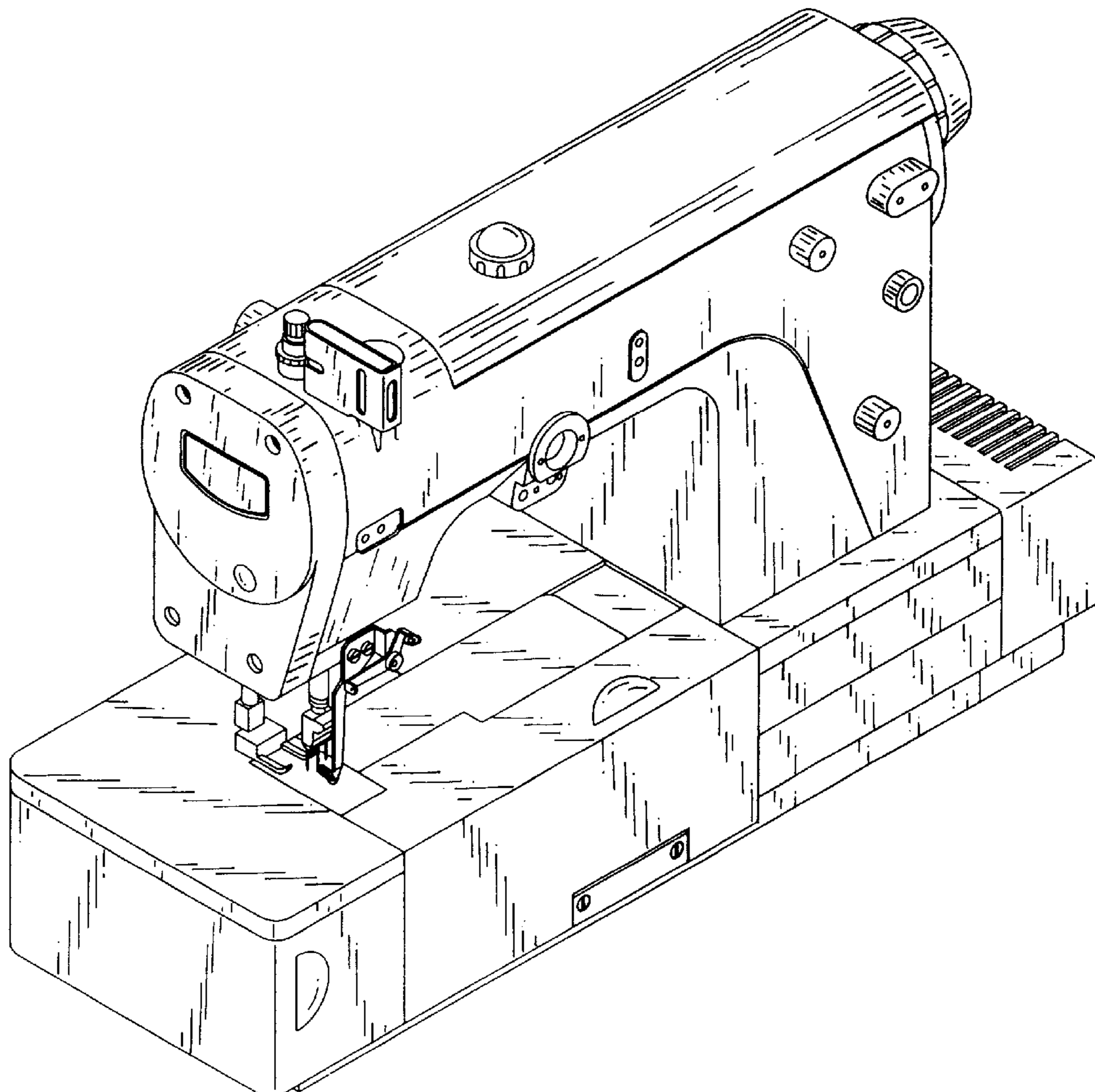


Fig. 1

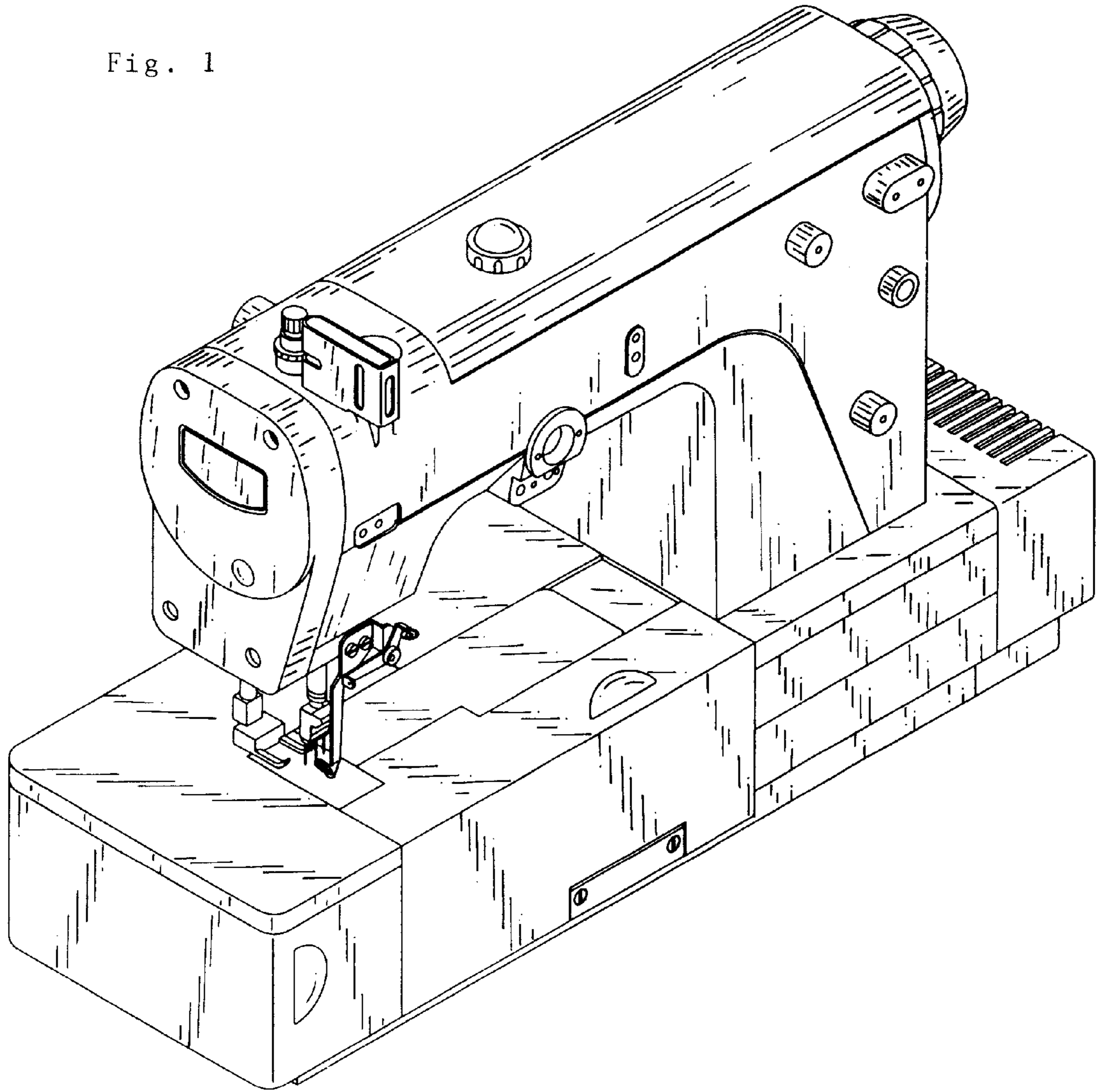


Fig. 2

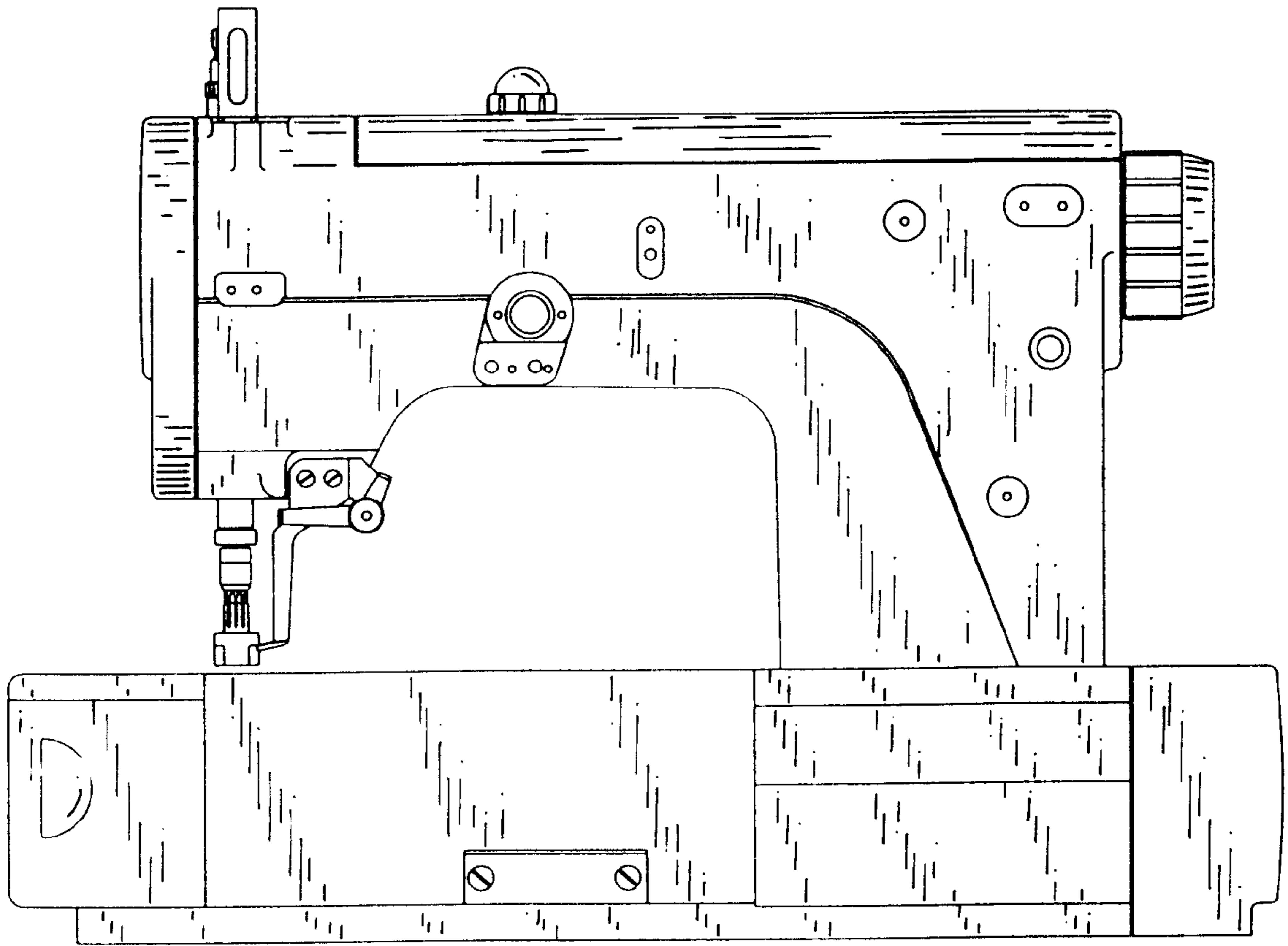


Fig. 3

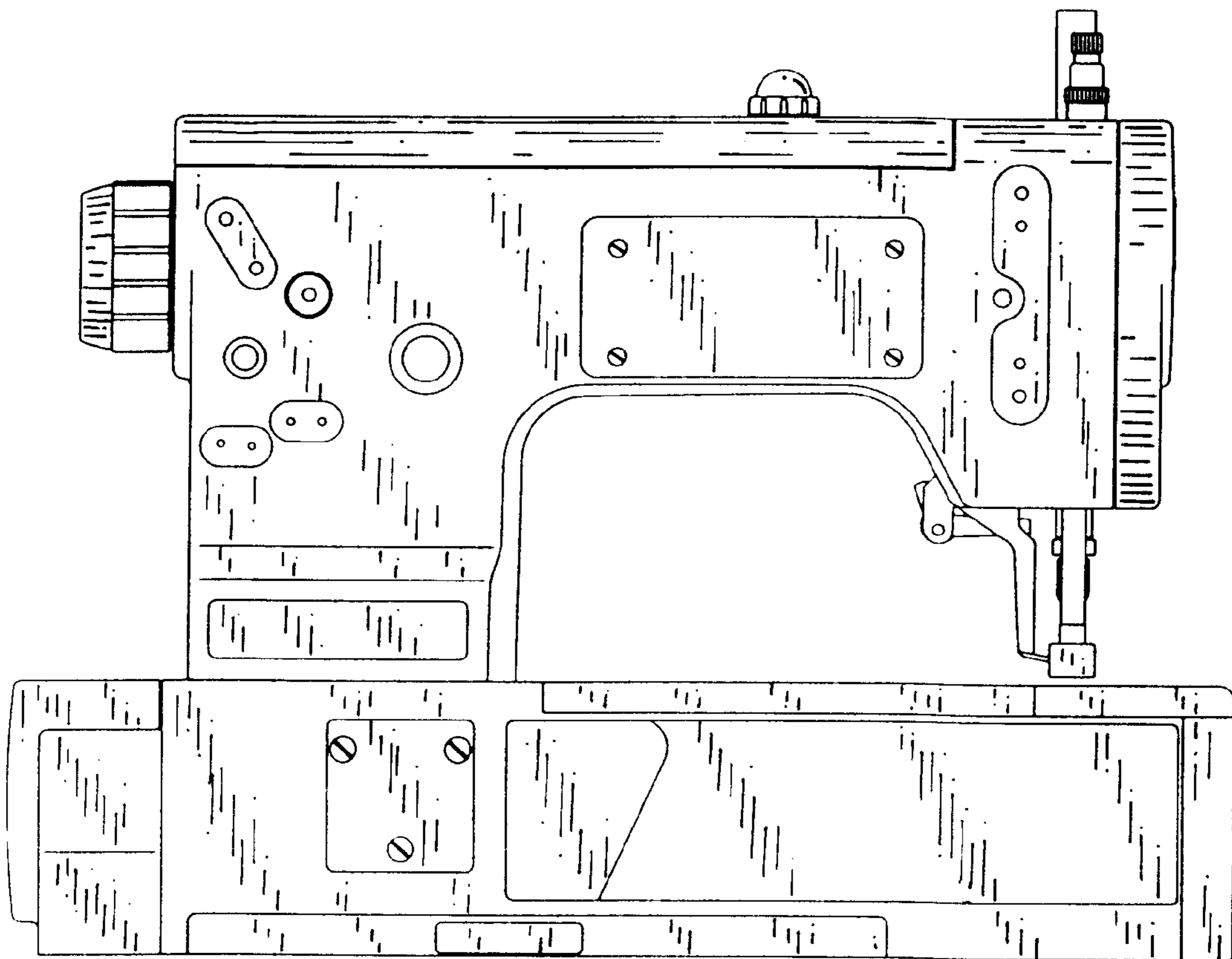


Fig. 4

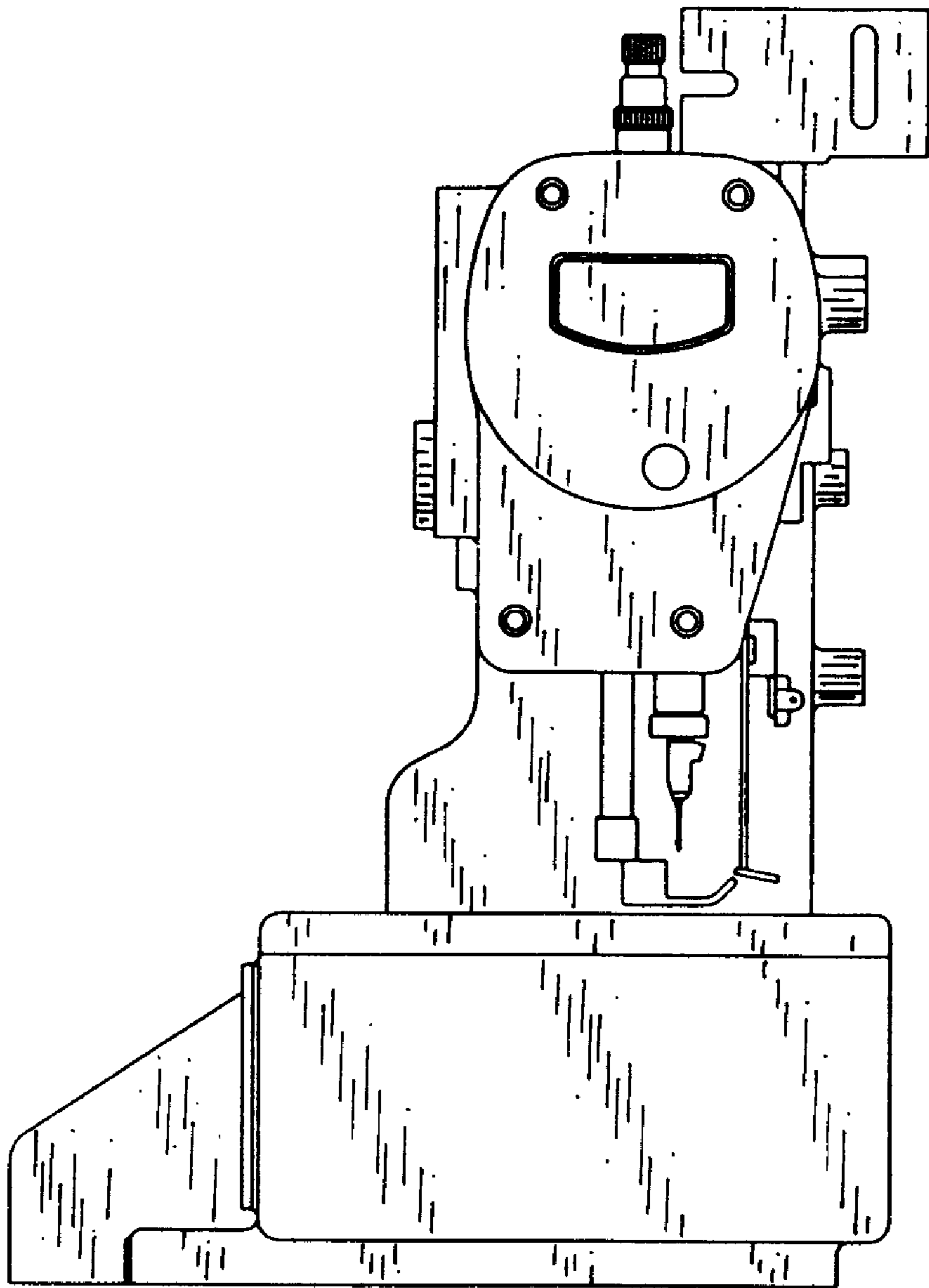


Fig. 5

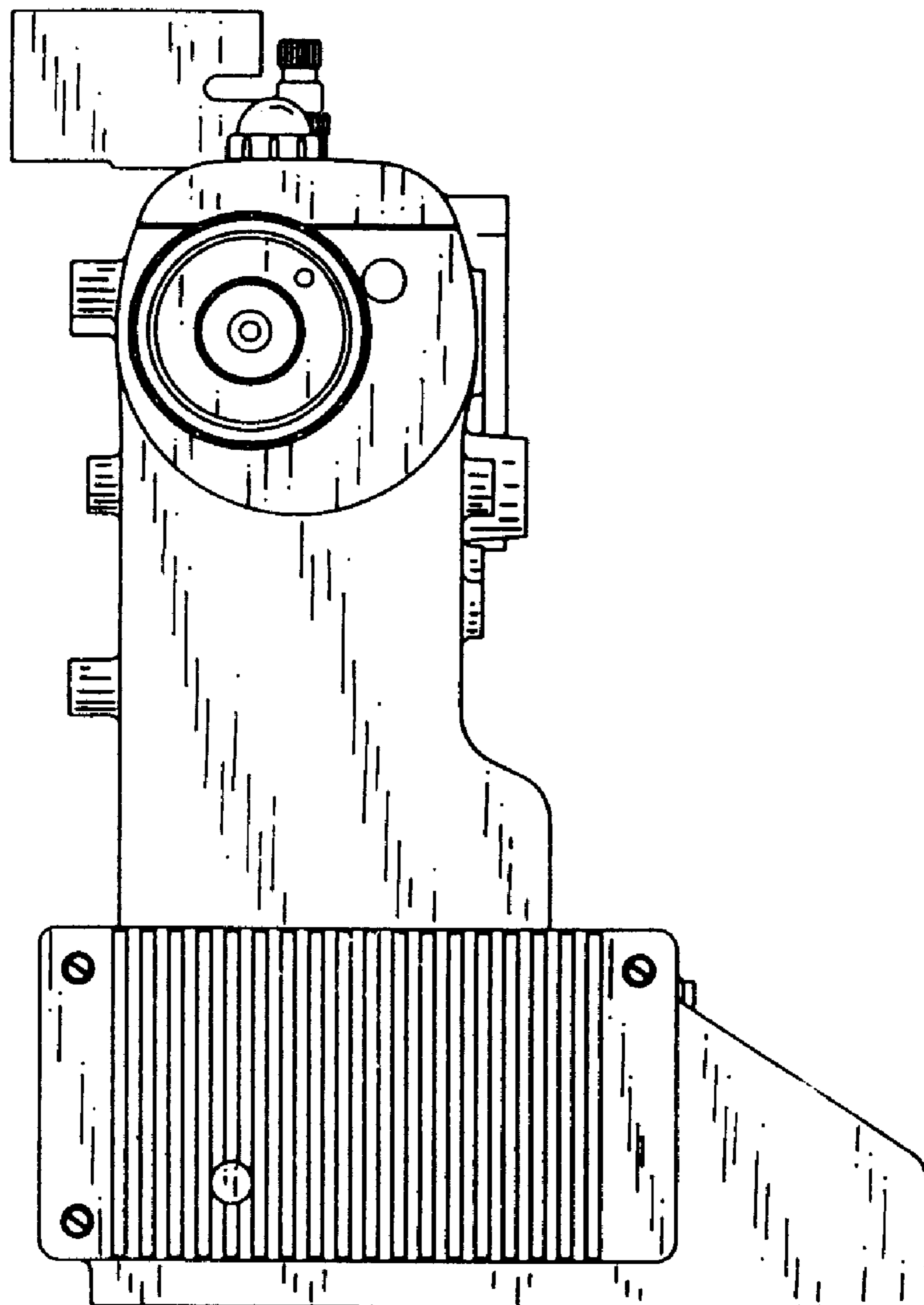


Fig. 6

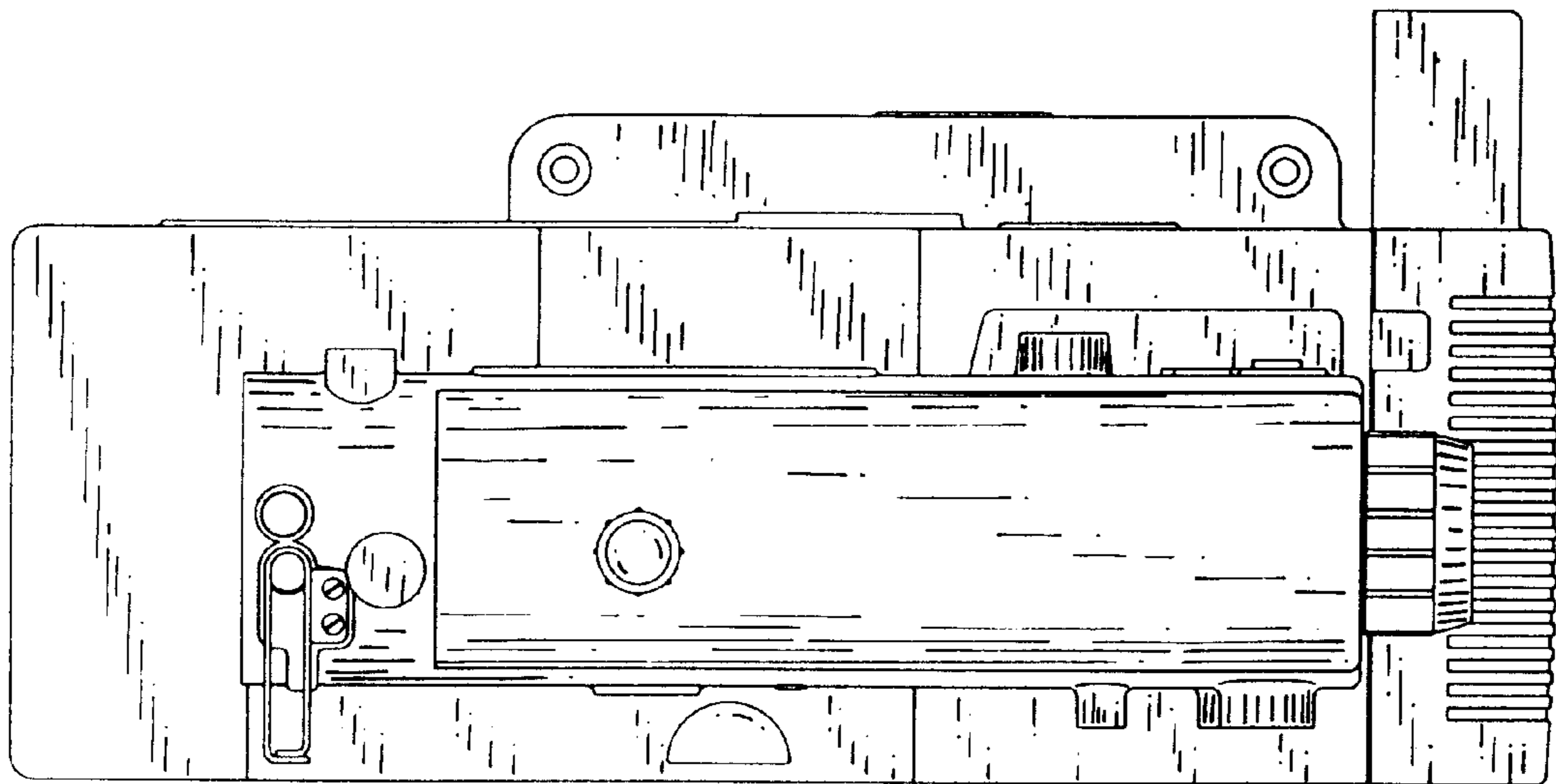


Fig. 7

