



US00D465793S

(12) **United States Design Patent**
Takada et al.

(10) **Patent No.:** **US D465,793 S**
(45) **Date of Patent:** **** Nov. 19, 2002**

(54) **SEWING MACHINE**

(57) **CLAIM**

(75) Inventors: **Sanae Takada**, Chofu (JP); **Shigemasa Kato**, Chofu (JP)

The ornamental design for a sewing machine, as shown and described.

(73) Assignee: **Juki Corporation**, Tokyo (JP)

DESCRIPTION

(**) Term: **14 Years**

FIG. 1 is a front, top and right side perspective view of a sewing machine showing our new design, wherein the structure shown in broken lines is included for illustrative purposes only and forms no part of the claimed design.

(21) Appl. No.: **29/097,394**

FIG. 2 is a front elevational view thereof, wherein the structure shown in broken lines is included for illustrative purposes only and forms no part of the claimed design.

(22) Filed: **Dec. 4, 1998**

FIG. 3 is a rear elevational view thereof, wherein the broken line structure is included for illustrative purposes only and forms no part of the claimed design and the area bordered in dot-dash lines contiguous to full lines is included to define an area of the article which is not part of the claimed design.

(30) **Foreign Application Priority Data**

Jun. 12, 1998 (JP) 10-16889

FIG. 4 is a top view thereof, wherein the structure shown in broken lines is included for illustrative purposes only and forms no part of the claimed design.

(51) **LOC (7) Cl.** **15-09**

(52) **U.S. Cl.** **D15/69**

(58) **Field of Search** D15/66-70; 112/217.1-217.4,
112/256-261

FIG. 5 is a bottom view thereof, wherein the structure shown in broken lines is included for illustrative purposes only and forms no part of the claimed design.

(56) **References Cited**

U.S. PATENT DOCUMENTS

- D307,024 S * 4/1990 Itoh et al. D15/69
- D309,739 S * 8/1990 Itoh et al. D15/69
- D321,518 S * 11/1991 Uchida D15/69
- D338,022 S * 8/1993 Takada et al. D15/69
- D392,294 S * 3/1998 Kato et al. D15/69

FIG. 6 is a left side view thereof, wherein the broken line structure is included for illustrative purposes only and forms no part of the claimed design.

* cited by examiner

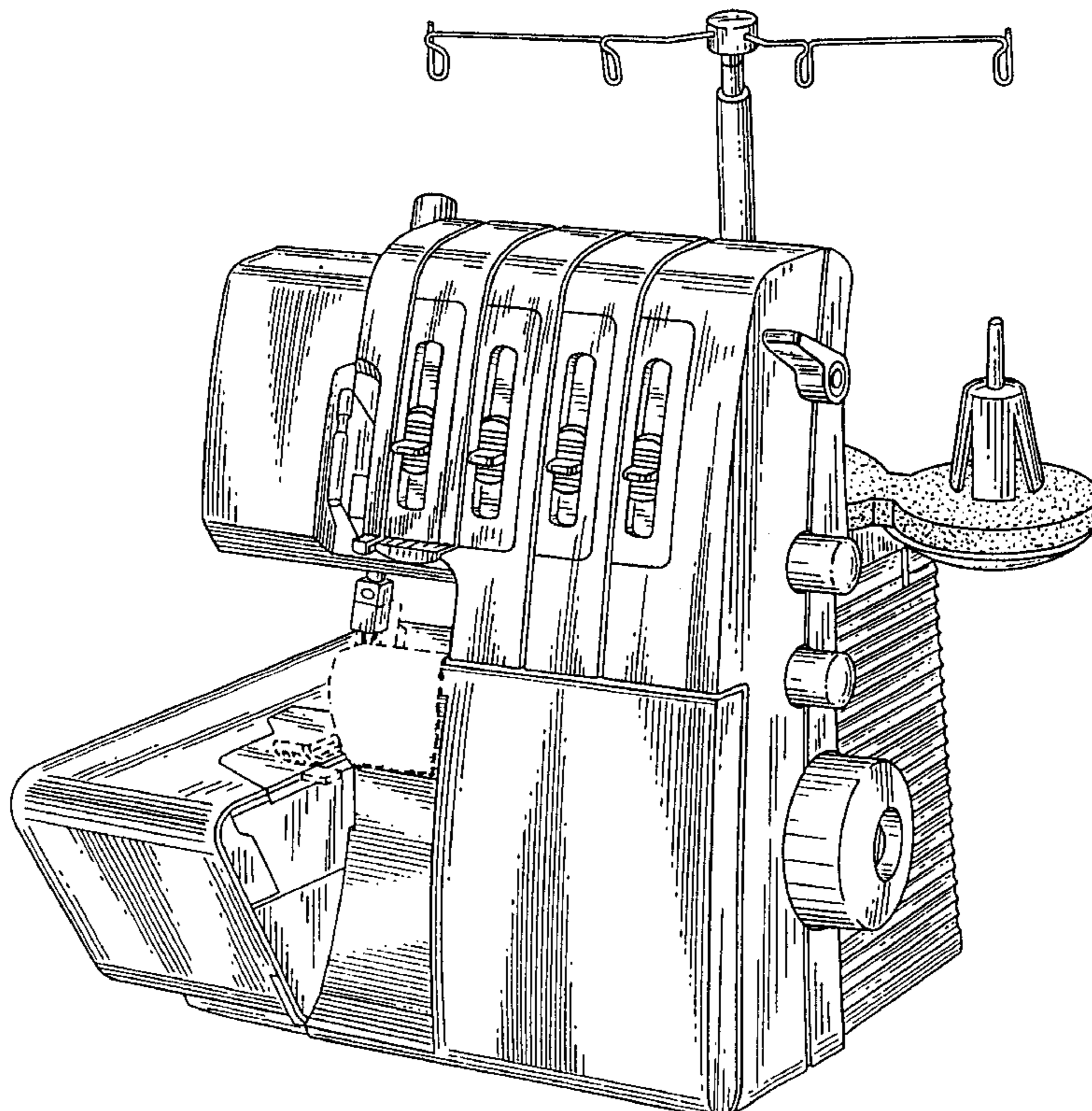
FIG. 7 is a right side view thereof; and,

FIG. 8 is another left side view thereof.

Primary Examiner—B. J. Bullock

(74) *Attorney, Agent, or Firm*—Morgan & Finnegan, LLP

1 Claim, 4 Drawing Sheets



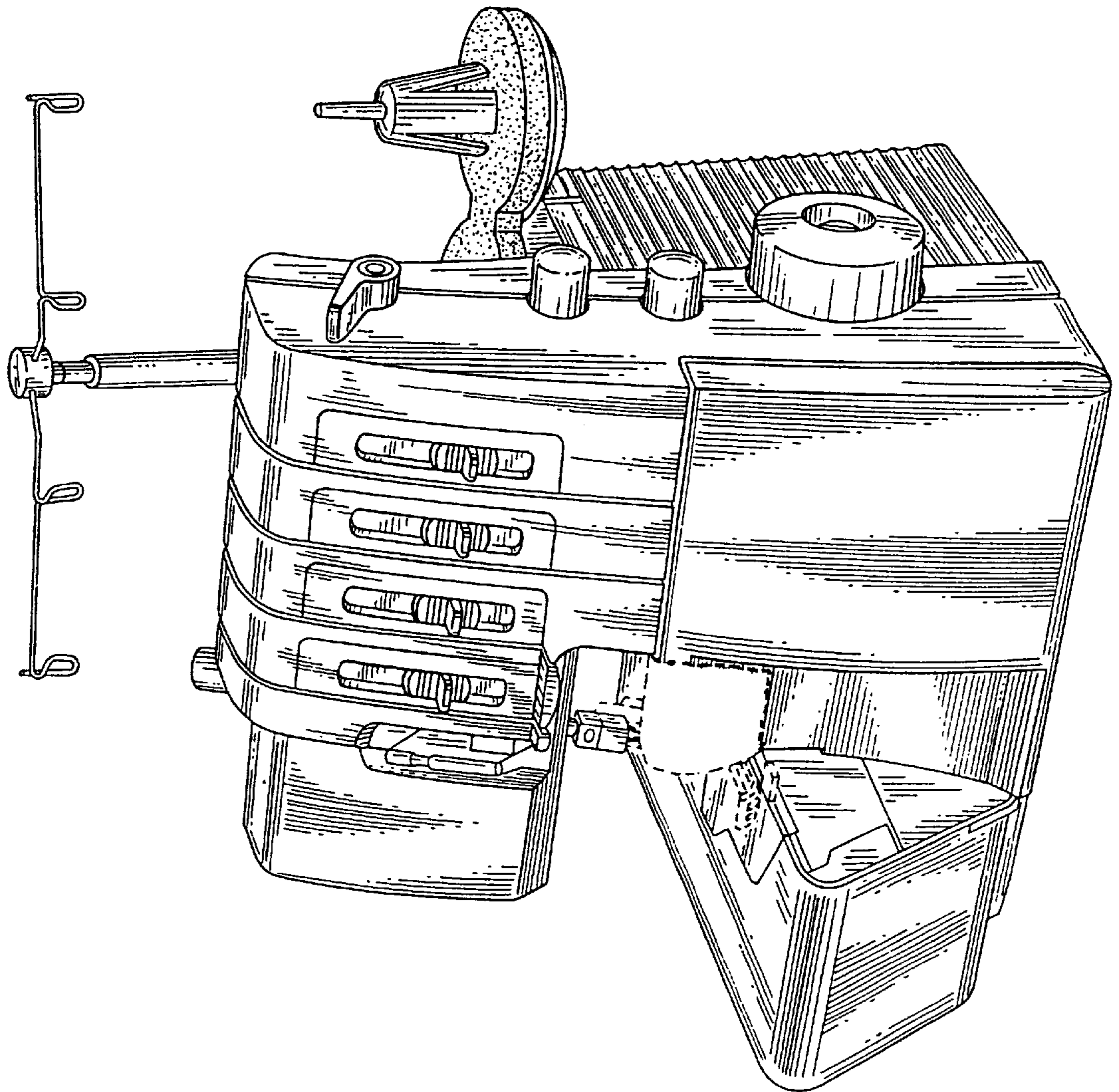


FIG.1

FIG.3

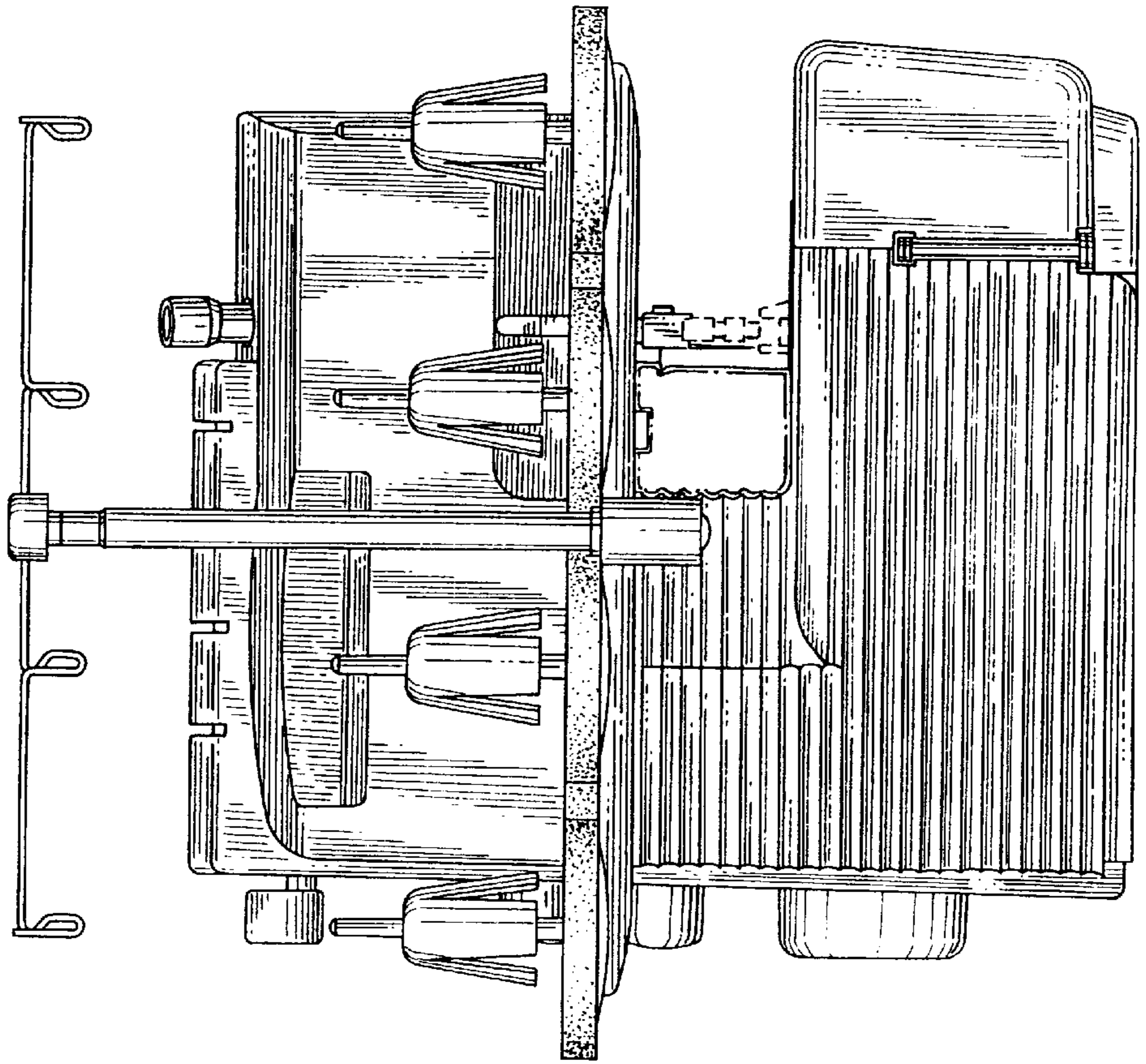


FIG.2

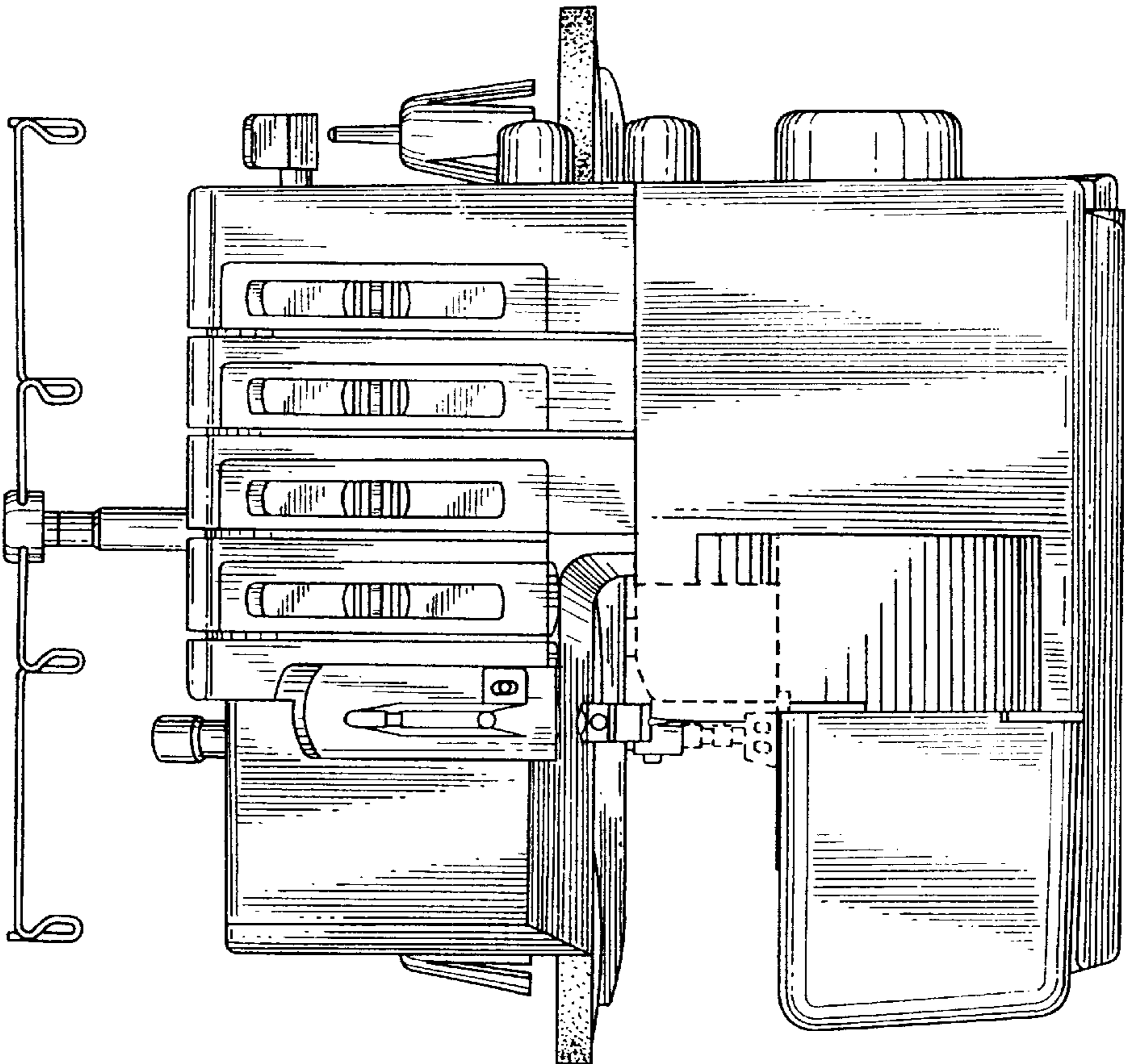


FIG.5

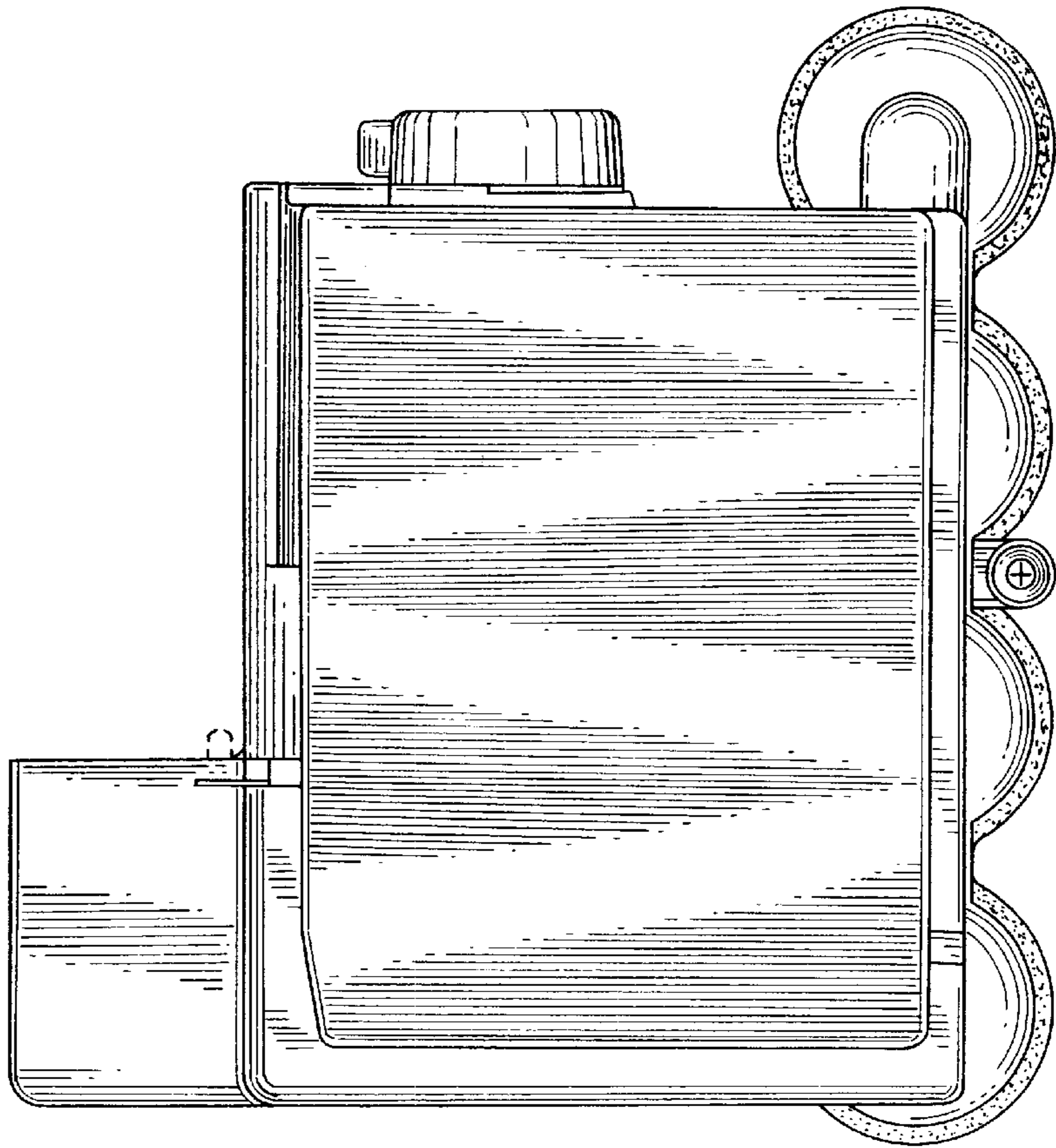


FIG.4

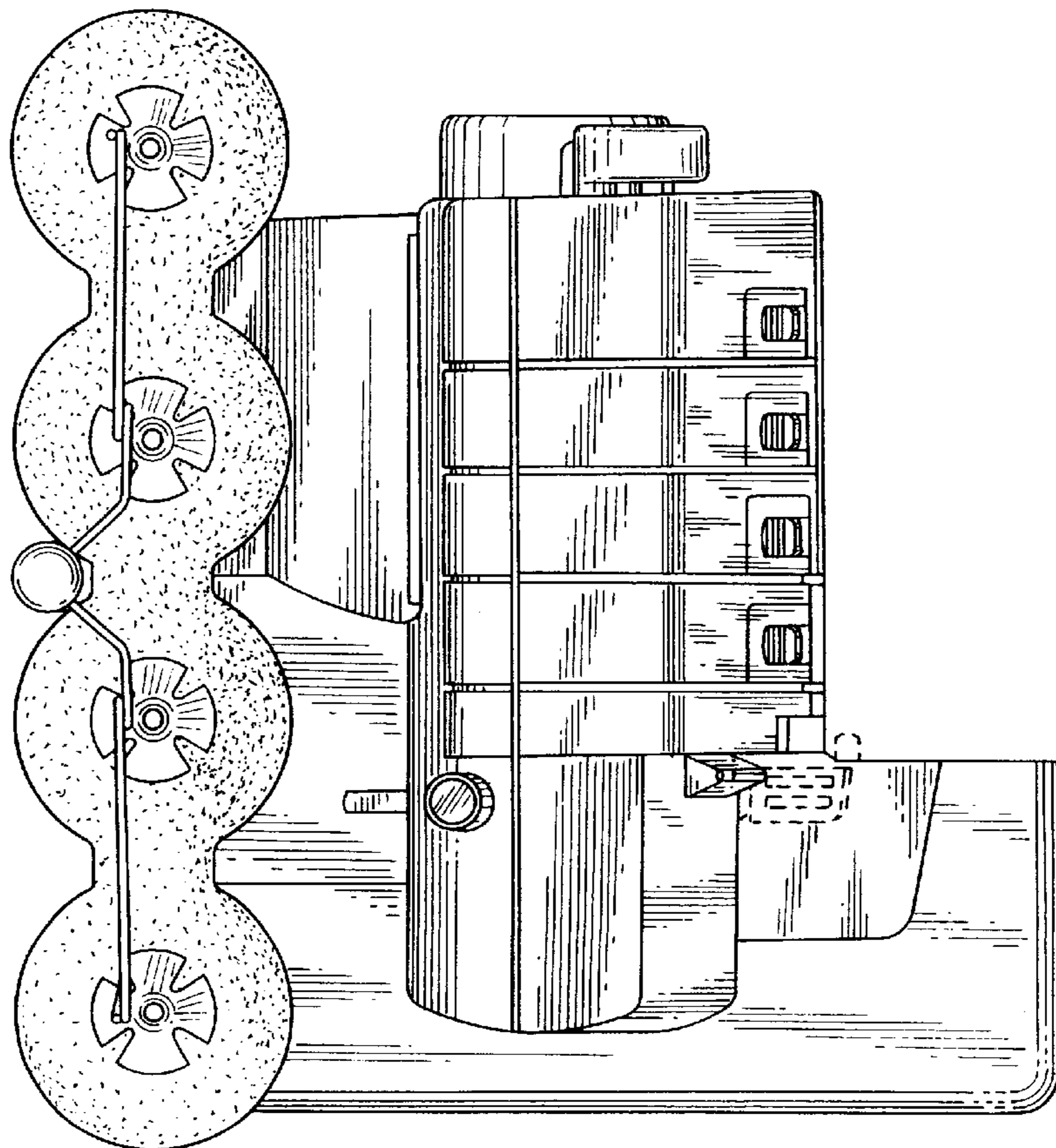


FIG.7

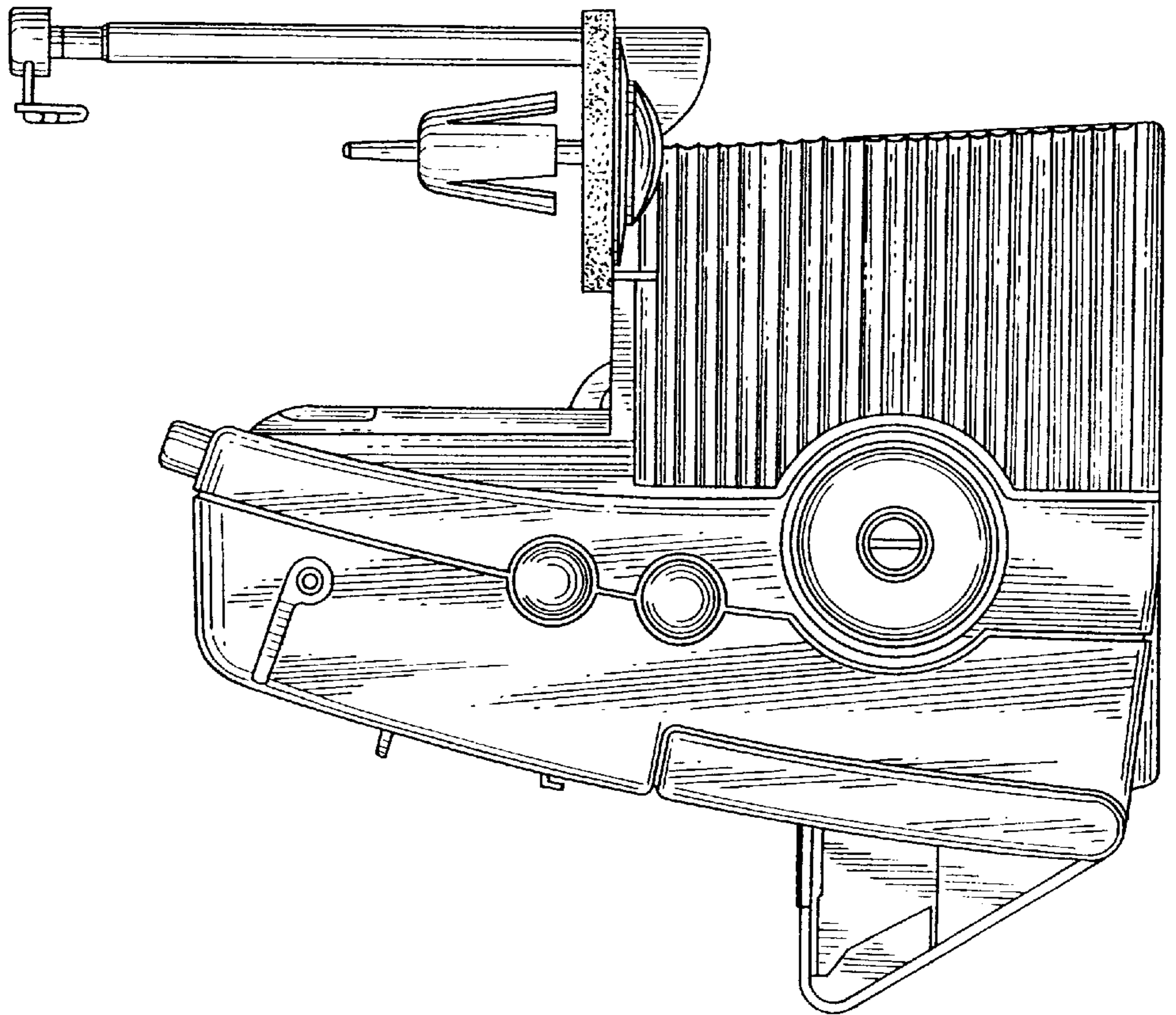


FIG.6

