



US00D465787S

(12) **United States Design Patent**
Fujisawa

(10) **Patent No.:** **US D465,787 S**

(45) **Date of Patent:** **** Nov. 19, 2002**

(54) **SHUTTER FOR AN OPTICAL DISC CARTRIDGE**

(75) Inventor: **Hirotohi Fujisawa, Tokyo (JP)**

(73) Assignee: **Sony Corporation, Tokyo (JP)**

(**) Term: **14 Years**

(21) Appl. No.: **07/855,938**

(22) Filed: **Mar. 23, 1992**

(30) **Foreign Application Priority Data**

Oct. 29, 1991 (JP) 3-32683

(51) **LOC (7) Cl.** **14-02**

(52) **U.S. Cl.** **D14/480**

(58) **Field of Search** D14/100, 107,
D14/114; 360/60, 132, 133, 135, 97.01-99.12;
206/312, 444

(56) **References Cited**

U.S. PATENT DOCUMENTS

D292,292 S * 10/1987 Saito et al. D14/114
4,740,948 A * 4/1988 Nakamori et al. 206/444 X
4,755,895 A * 7/1988 Saito 360/133 X
4,876,619 A * 10/1989 Suzuki 369/291 X
D307,893 S * 5/1990 Kato et al. D14/114

4,926,411 A * 5/1990 Ouwerkerk et al. 206/444 X
D311,181 S * 10/1990 Miyazawa D14/114
5,041,923 A * 8/1991 Iwata et al. 360/60
5,093,823 A * 3/1992 Ouwerkerk et al. 206/444 X
5,195,084 A * 3/1993 Shiba et al. 206/444 X

FOREIGN PATENT DOCUMENTS

JP 0078978 * 3/1989 206/444
JP 0320692 * 12/1989 206/444
JP 4243073 * 8/1992 206/444

* cited by examiner

Primary Examiner—M. H. Tung

(74) *Attorney, Agent, or Firm*—Jay H. Maioli

(57) **CLAIM**

The ornamental design for a shutter for an optical disc cartridge, as shown and described.

DESCRIPTION

FIG. 1 is a top view showing my new design;
FIG. 2 is a left-side view thereof;
FIG. 3 is a front view thereof;
FIG. 4 is a right-side view thereof;
FIG. 5 is a back view thereof;
FIG. 6 is a bottom view thereof; and,
FIG. 7 is a perspective view thereof, on an enlarged scale.

1 Claim, 3 Drawing Sheets

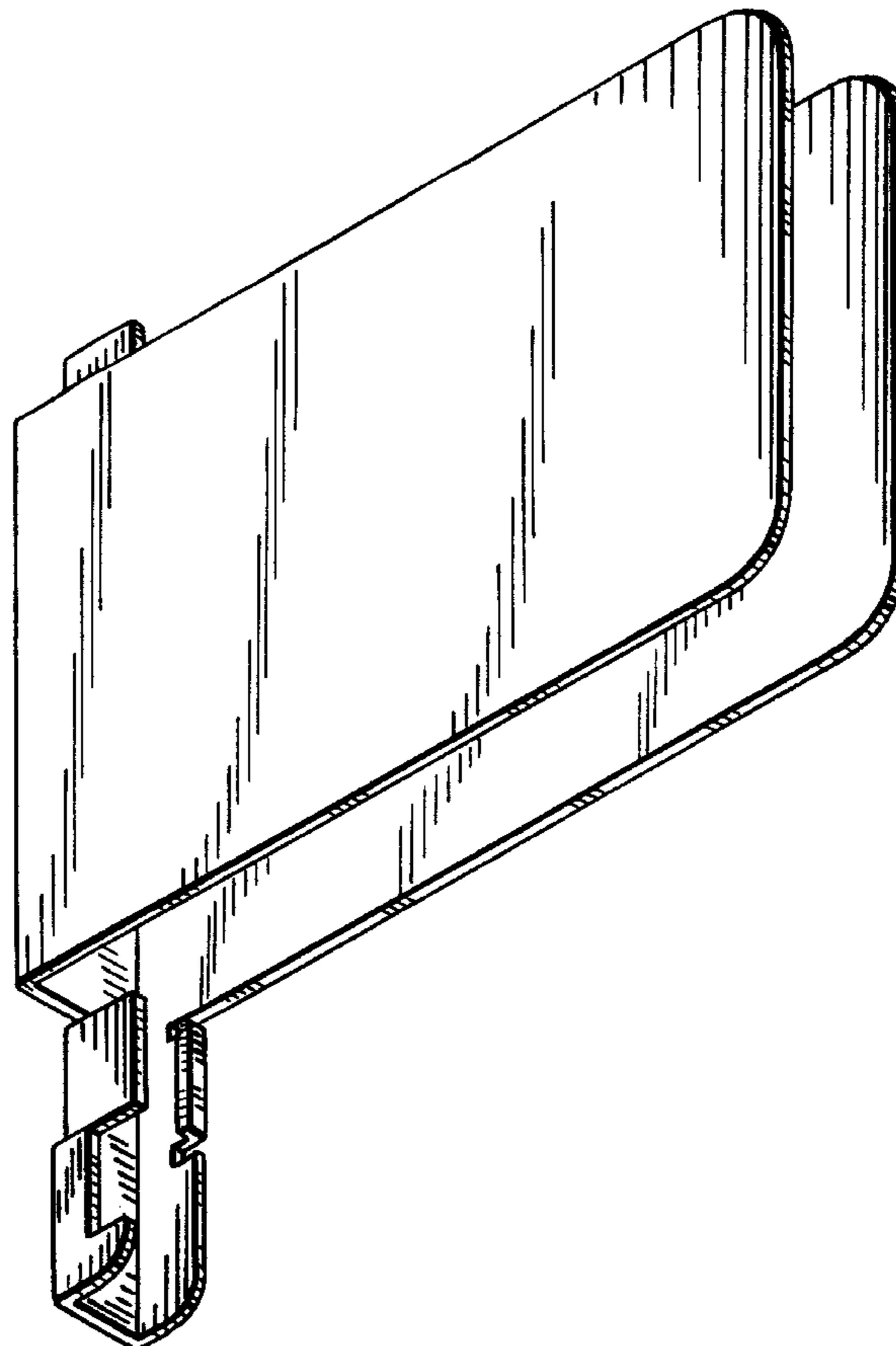


FIG. 1



FIG. 2

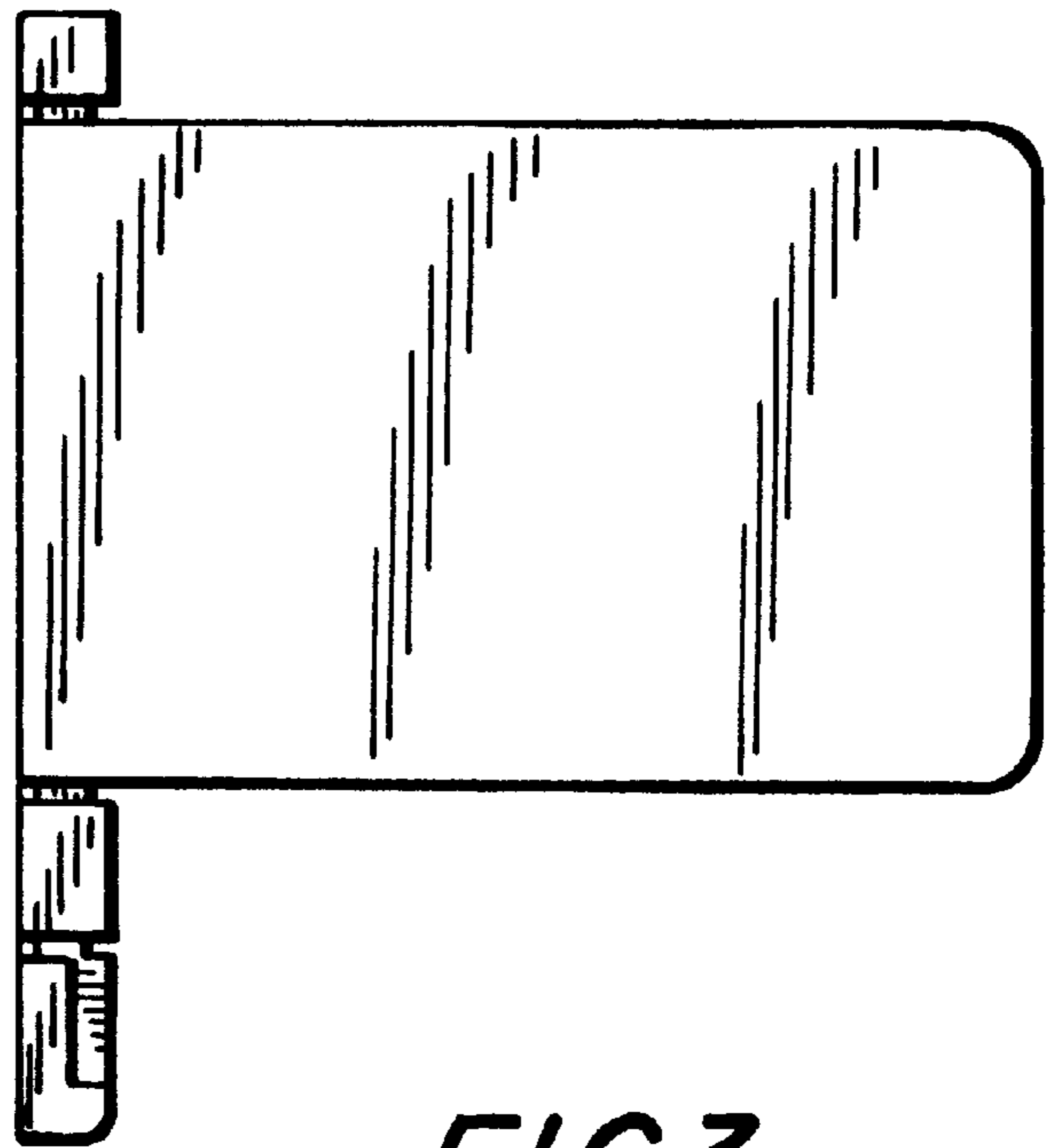


FIG. 3

FIG. 4

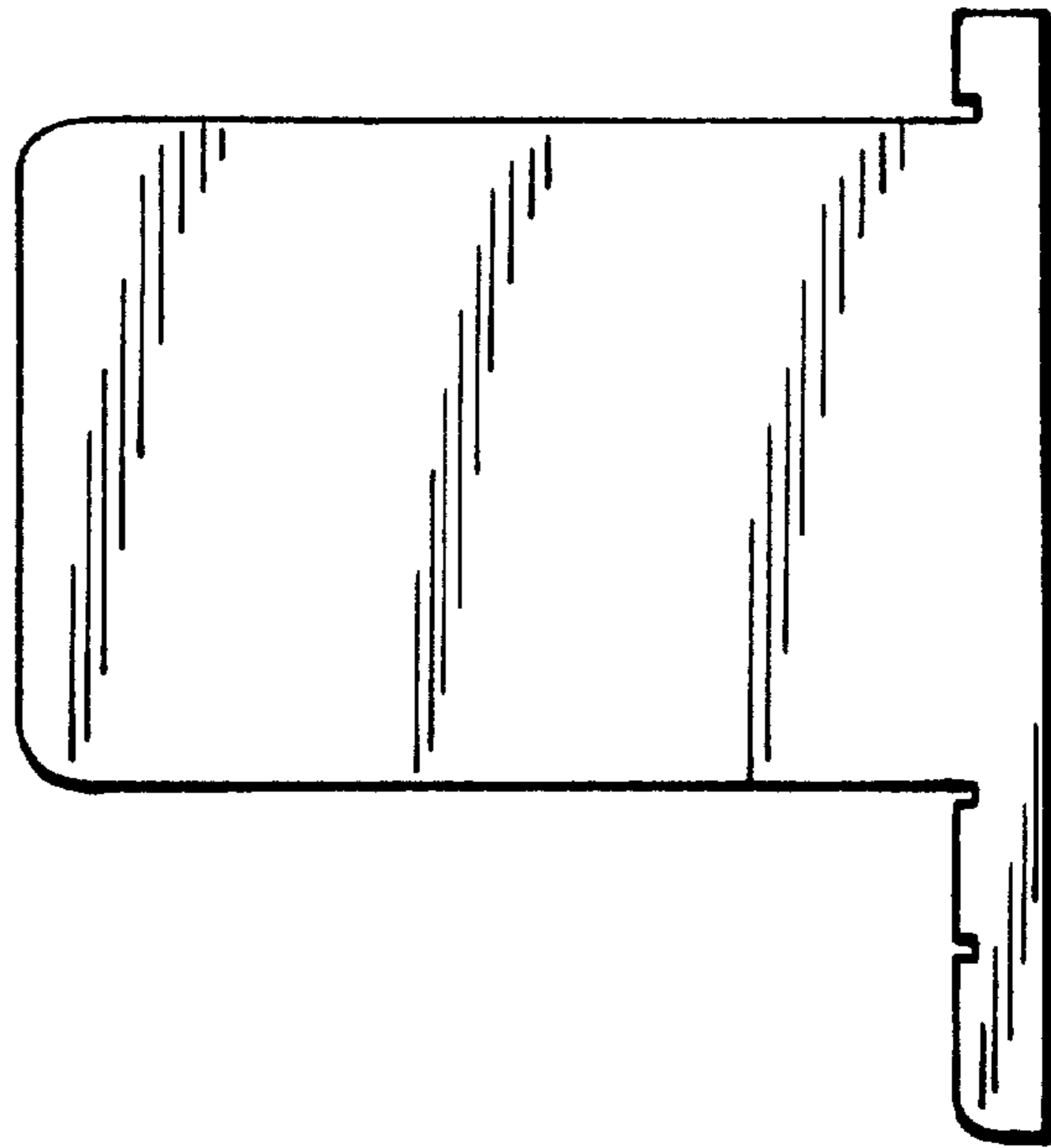


FIG. 5



FIG. 6

FIG. 7

