



US00D465785S

(12) **United States Design Patent**
Goto

(10) **Patent No.:** **US D465,785 S**

(45) **Date of Patent:** **** Nov. 19, 2002**

(54) **SUPPORT BASE FOR AN ELECTRIC DEVICE SUCH AS A COMPUTER, TV CONTROLLER, VIDEO GAME MACHINE, OR AUDIO OR VIDEO DISC PLAYER**

D383,728 S 9/1997 Yurkonis et al. D14/100
D416,878 S * 11/1999 Yeh et al.

FOREIGN PATENT DOCUMENTS

DE 9602827 12/1996
JP 1035752 4/1999

OTHER PUBLICATIONS

“PlayStation2” Atari, FALCON 040 (1993), Oct. 1999, <http://www.iris.dti.ne.jp/~spe/game/ps2/ps2.htm>.
“Atari Falcon 030” Atari MicroBox, <http://www.best.com~hmk/aflcon.htm>, 1993.
“InfoMac,” MACWORLD Expo Taiwan, Feb. 1996.
“The Third Wave,” p. 38, May 1998.

* cited by examiner

Primary Examiner—M. H. Tung

(74) *Attorney, Agent, or Firm*—Rader, Fishman & Grauer

(75) Inventor: **Teiyu Goto**, Tokyo (JP)

(73) Assignee: **Sony Computer Entertainment Inc.** (JP)

(**) Term: **14 Years**

(21) Appl. No.: **29/115,727**

(22) Filed: **Dec. 21, 1999**

(30) **Foreign Application Priority Data**

Aug. 26, 1999 (JP) 11-22658

(51) **LOC (7) Cl.** **14-02**

(52) **U.S. Cl.** **D14/447**

(58) **Field of Search** D14/439-47, 217, D14/239, 299, 126; D21/324, 333; D13/184, 199; D6/449, 491, 445, 396, 512; 248/125.1, 127, 133, 177.1, 178.1, 179.1, 183.1, 346.01, 346.02, 188.2, 917-24; 200/5 R, 5 A, 6 R, 6 A; 361/679-85

(56) **References Cited**

U.S. PATENT DOCUMENTS

- D270,026 S * 8/1983 Whitford
- D287,365 S * 12/1986 Judd
- 4,856,659 A * 8/1989 Krebs
- D330,021 S * 10/1992 Kline et al.
- D330,705 S * 11/1992 Gowda et al.
- D338,882 S * 8/1993 Reiter
- D349,696 S * 8/1994 Hames
- D350,536 S 9/1994 NeKnight et al. D14/114
- D361,561 S * 8/1995 Baudot
- D362,245 S * 9/1995 Moffatt

(57) **CLAIM**

The ornamental design for a support base for an electric device such as a computer, TV controller, video game machine, or audio or video disc player, as shown as described.

DESCRIPTION

FIG. 1 is a perspective view of a support base for an electric device such as a computer, TV controller, video game machine, or audio or video disc player showing my new design, on a reduced scale.

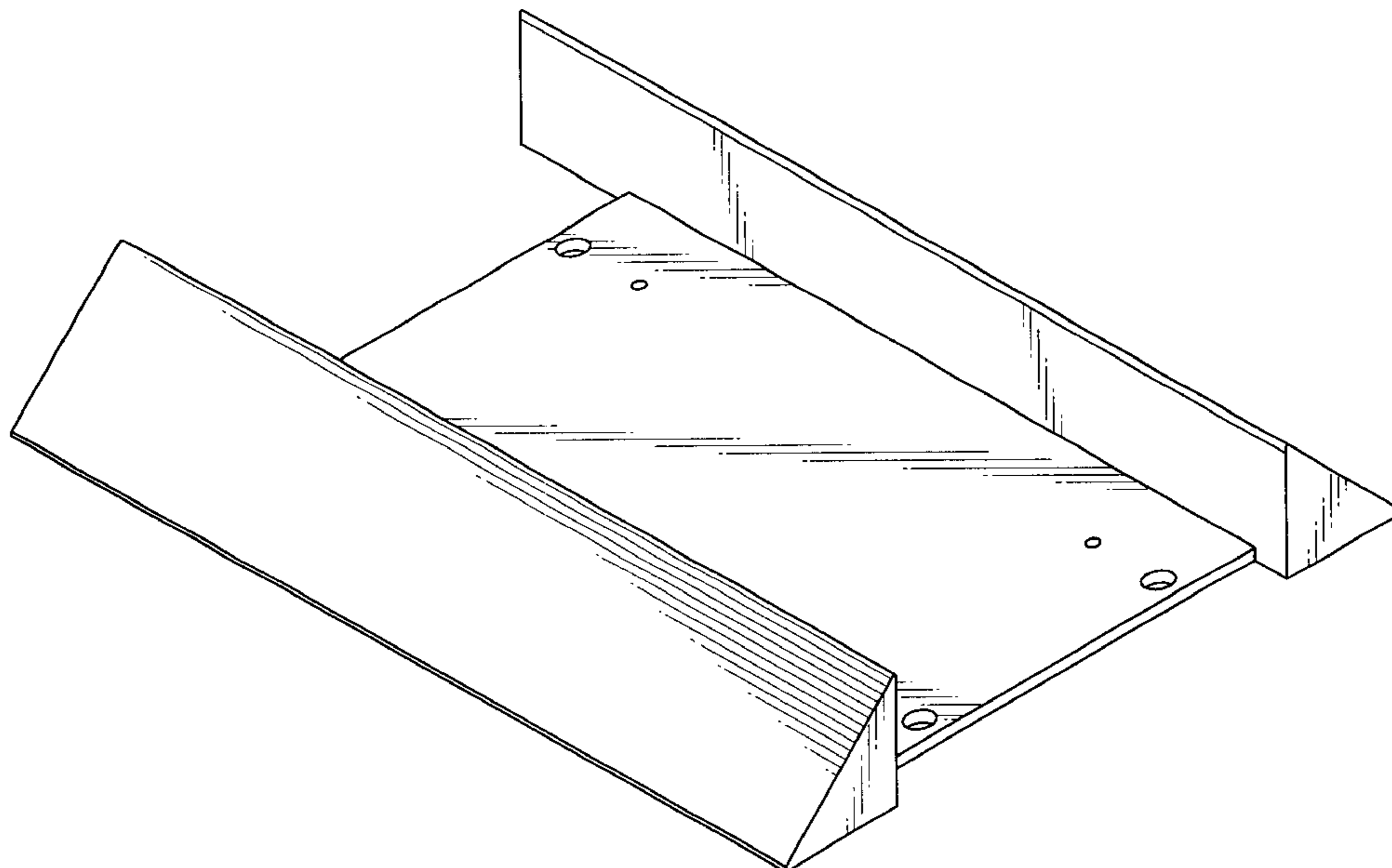
FIG. 2 is a front elevational view thereof, a rear elevational view being a mirror image;

FIG. 3 is a top plan view thereof;

FIG. 4 is a bottom plan view thereof; and,

FIG. 5 is a right side elevational view thereof, a left side elevational view being a mirror image.

1 Claim, 3 Drawing Sheets



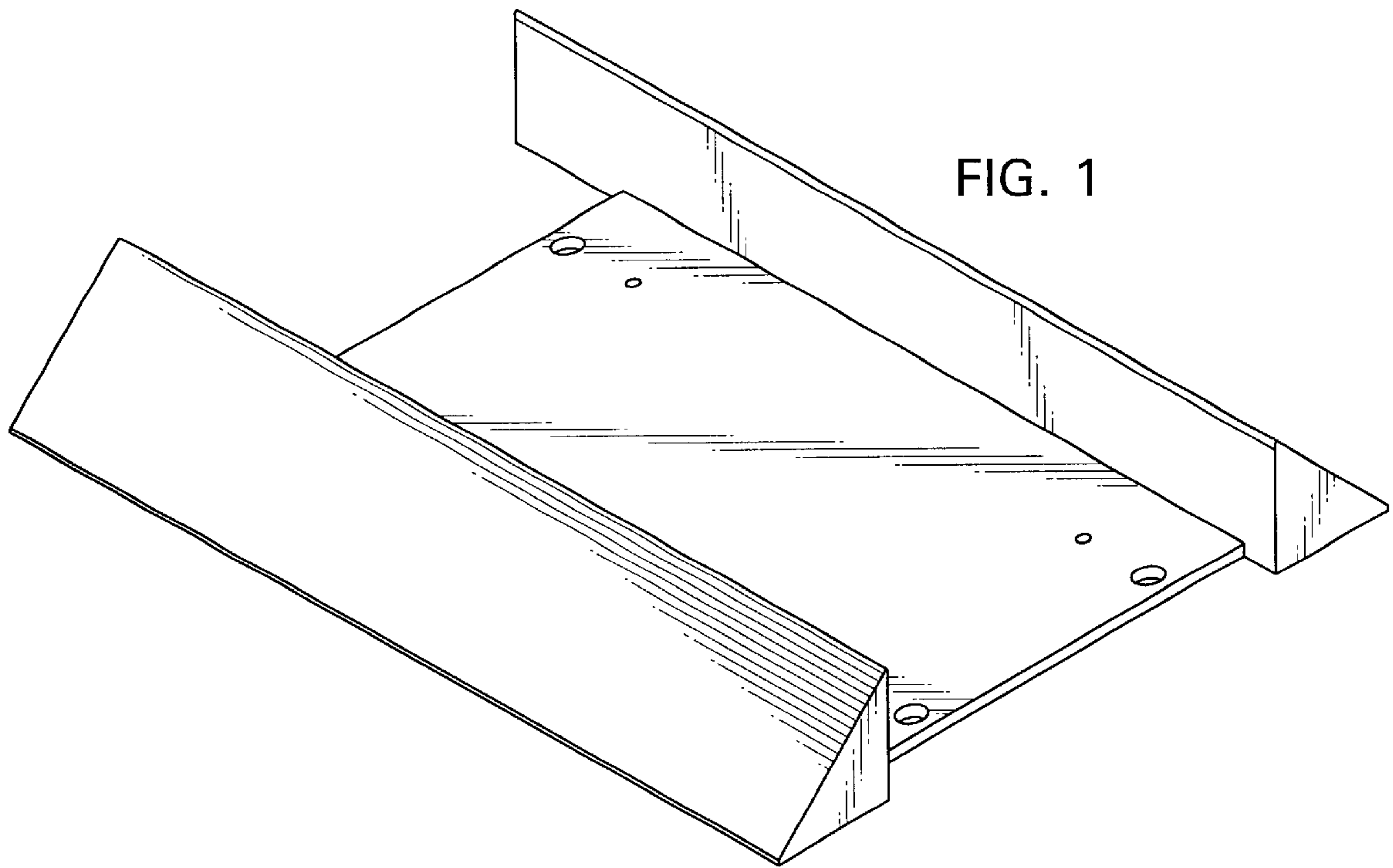


FIG. 1

FIG. 2

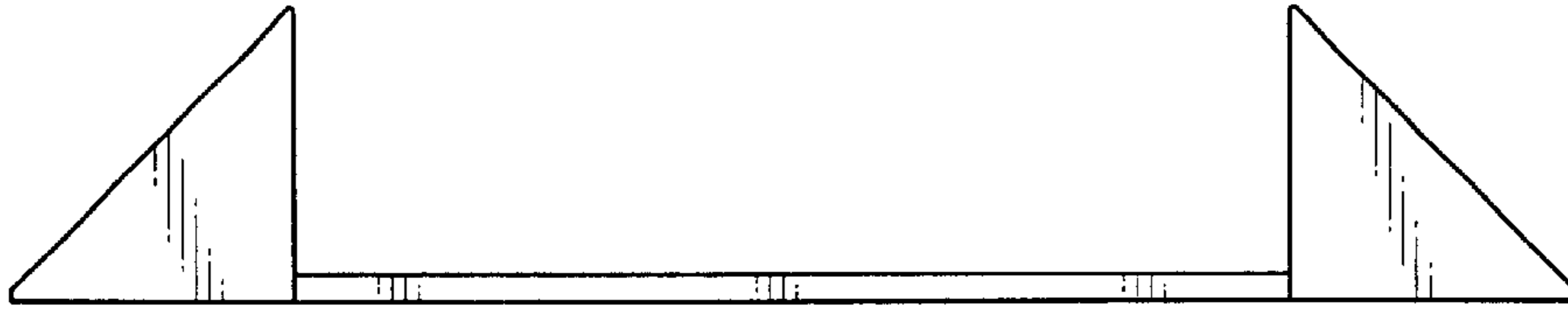


FIG. 3

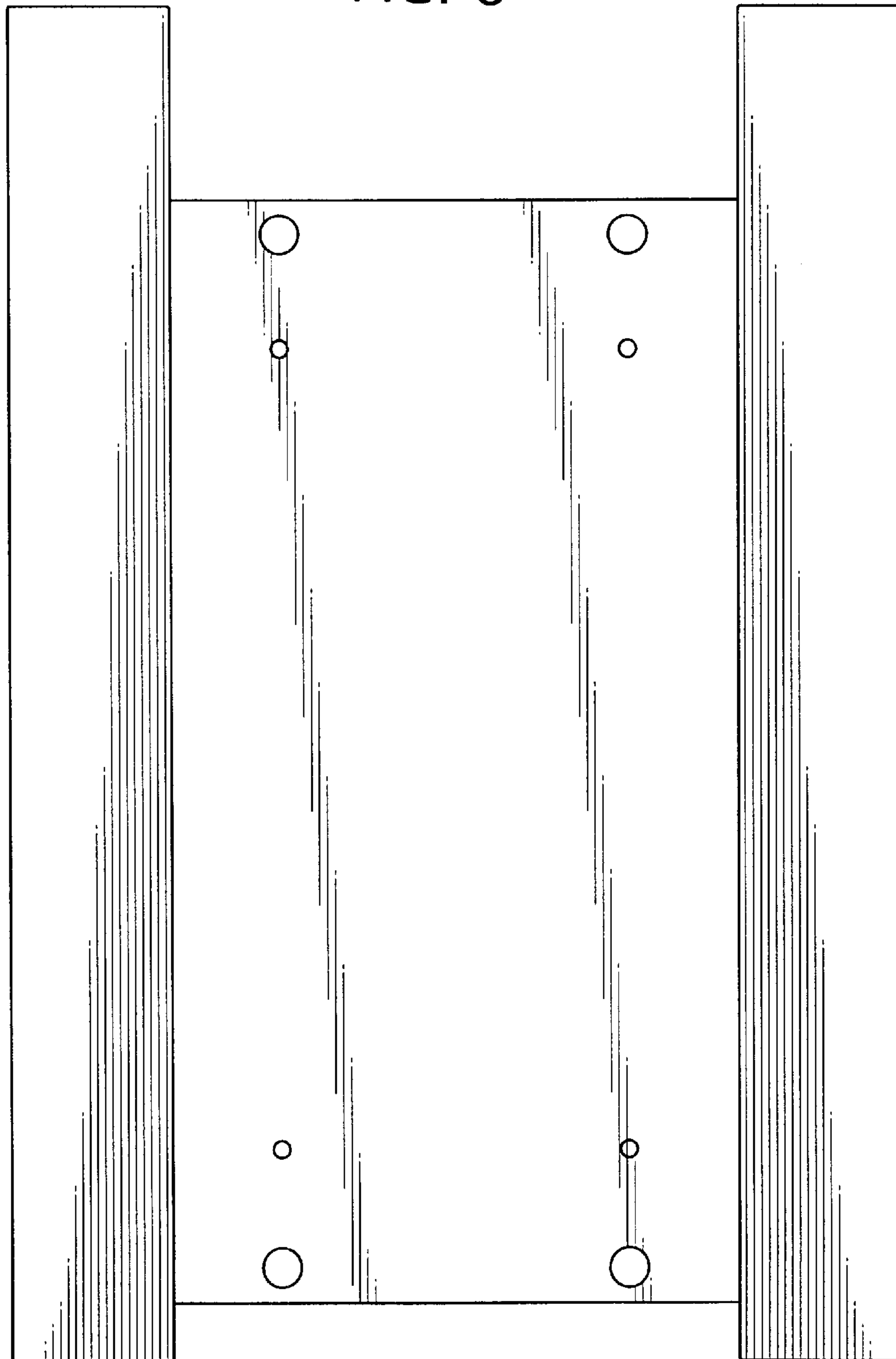


FIG. 4

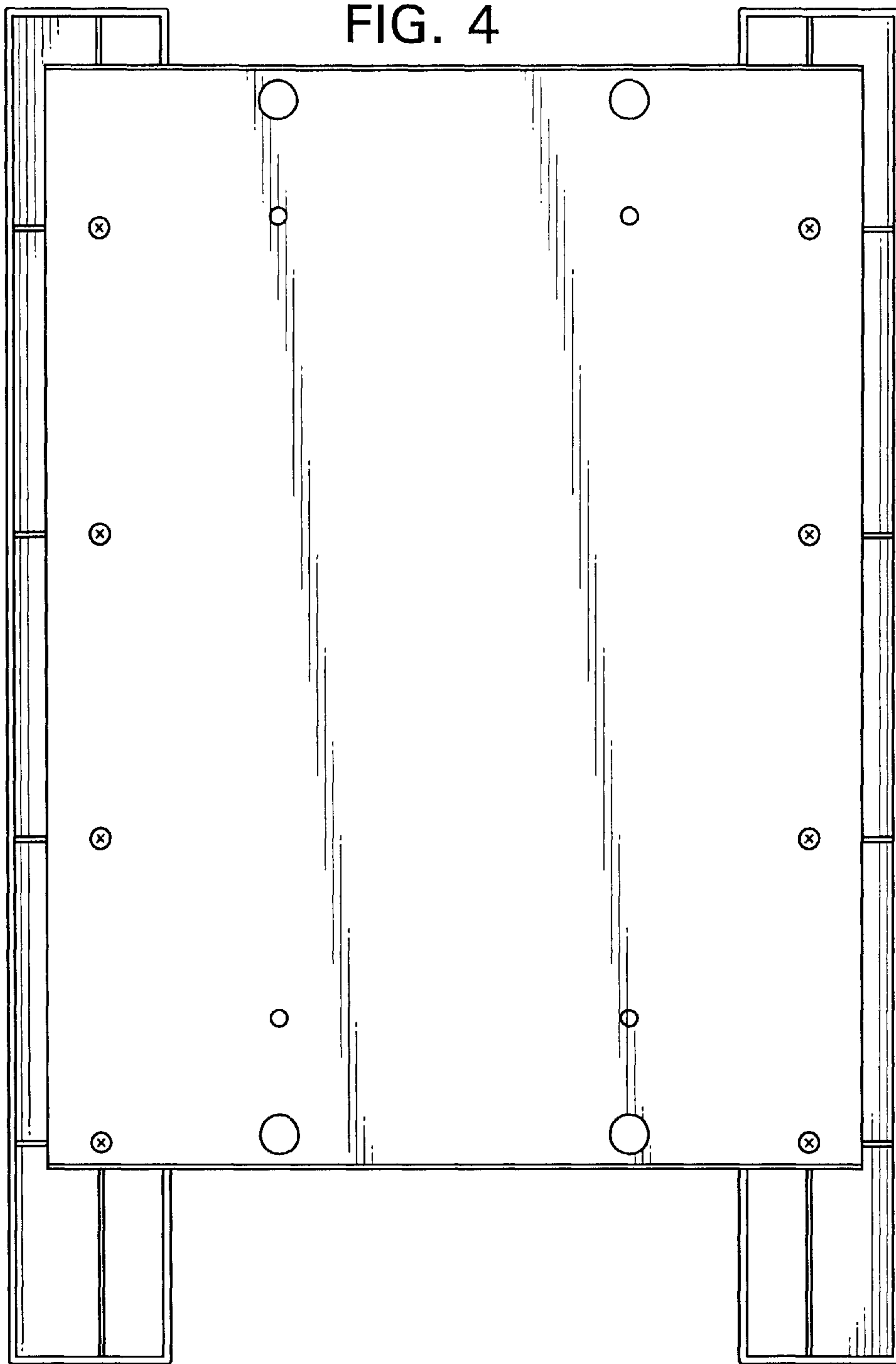
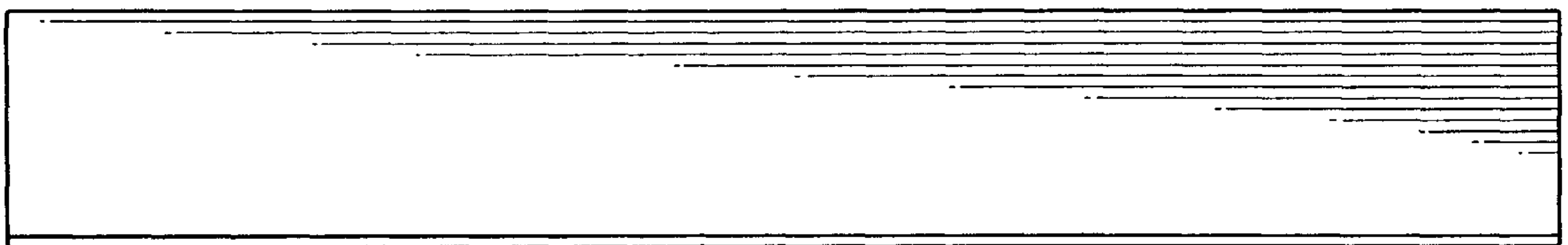


FIG. 5



UNITED STATES PATENT AND TRADEMARK OFFICE
CERTIFICATE OF CORRECTION

PATENT NO. : Des. 465,785 S
DATED : November 19, 2002
INVENTOR(S) : Teiyu Goto

Page 1 of 1

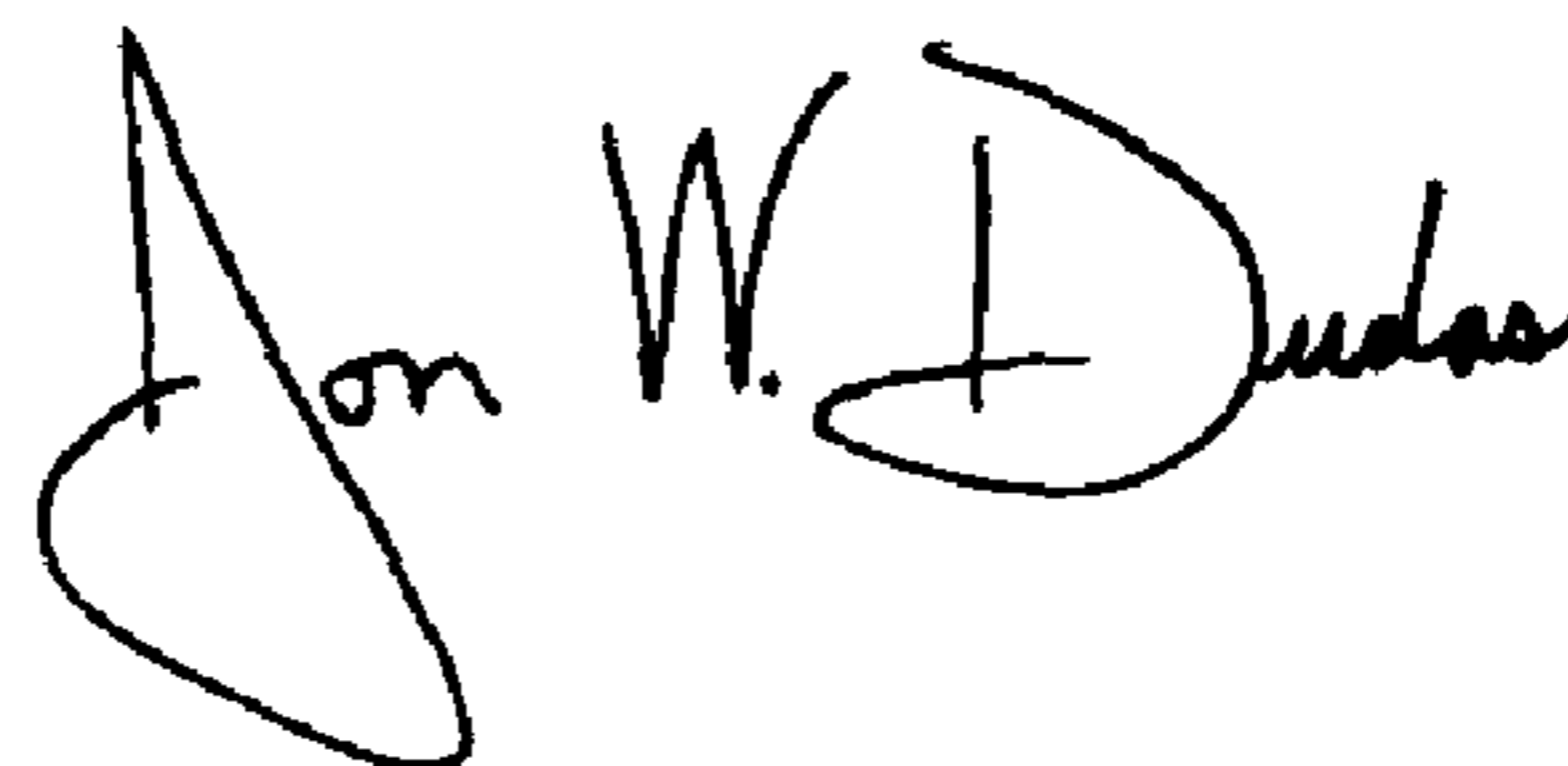
It is certified that error appears in the above-identified patent and that said Letters Patent is hereby corrected as shown below:

Title page,

Item [56], **References Cited**, U.S. PATENT DOCUMENTS, should read -- "Storage Plus," page 408, Computer Product, Jan. 1996 --

Signed and Sealed this

Twenty-second Day of June, 2004

A handwritten signature in black ink that reads "Jon W. Dudas". The signature is written in a cursive style with a large, looped initial "J".

JON W. DUDAS
Acting Director of the United States Patent and Trademark Office