



US00D465772S

(12) **United States Design Patent**
Poulter et al.

(10) **Patent No.:** **US D465,772 S**

(45) **Date of Patent:** **** Nov. 19, 2002**

(54) **PRINTED CIRCUIT BOARD**

(75) Inventors: **Alan R Poulter**, Bedford (GB);
Richard N Bayfield, Milton Keynes
(GB); **Bryan J Donoghue**, St. Albans
(GB); **Mark A Bobbitt**, Hemel
Hempstead (GB); **David J Law**,
Edinburgh (GB); **Edward Turner**,
Maidenhead (GB)

(73) Assignee: **3Com Corporation**, Santa Clara, CA
(US)

(**) Term: **14 Years**

(21) Appl. No.: **29/148,797**

(22) Filed: **Sep. 28, 2001**

(30) **Foreign Application Priority Data**

Apr. 20, 2001 (GB) 2101258

(51) **LOC (7) Cl.** **13-03**

(52) **U.S. Cl.** **D13/182**

(58) **Field of Search** D13/182; 174/250,
174/251, 252, 253, 254, 255, 256, 257,
258, 259, 260, 261, 262, 263-268; 29/829;
361/395, 397-398, 380, 384, 352, 720,
736, 760, 761, 748, 752, 809

(56) **References Cited**

U.S. PATENT DOCUMENTS

D255,351 S * 6/1980 Pettijohn D13/182

4,330,684 A	*	5/1982	Hayward	174/254
4,651,416 A	*	3/1987	DePaul	29/837
5,023,753 A	*	6/1991	Abe	361/782
5,148,350 A	*	9/1992	Chan et al.	361/721
D334,175 S	*	3/1993	Barabi et al.	D13/182
5,296,652 A	*	3/1994	Miller, Jr.	174/265
5,321,380 A	*	6/1994	Godek et al.	336/232
5,627,726 A	*	5/1997	David et al.	361/684
6,282,093 B1	*	8/2001	Goodwin	361/704

* cited by examiner

Primary Examiner—Ted Shooman

Assistant Examiner—Selina Sikder

(74) *Attorney, Agent, or Firm*—Nixon & Vanderhye

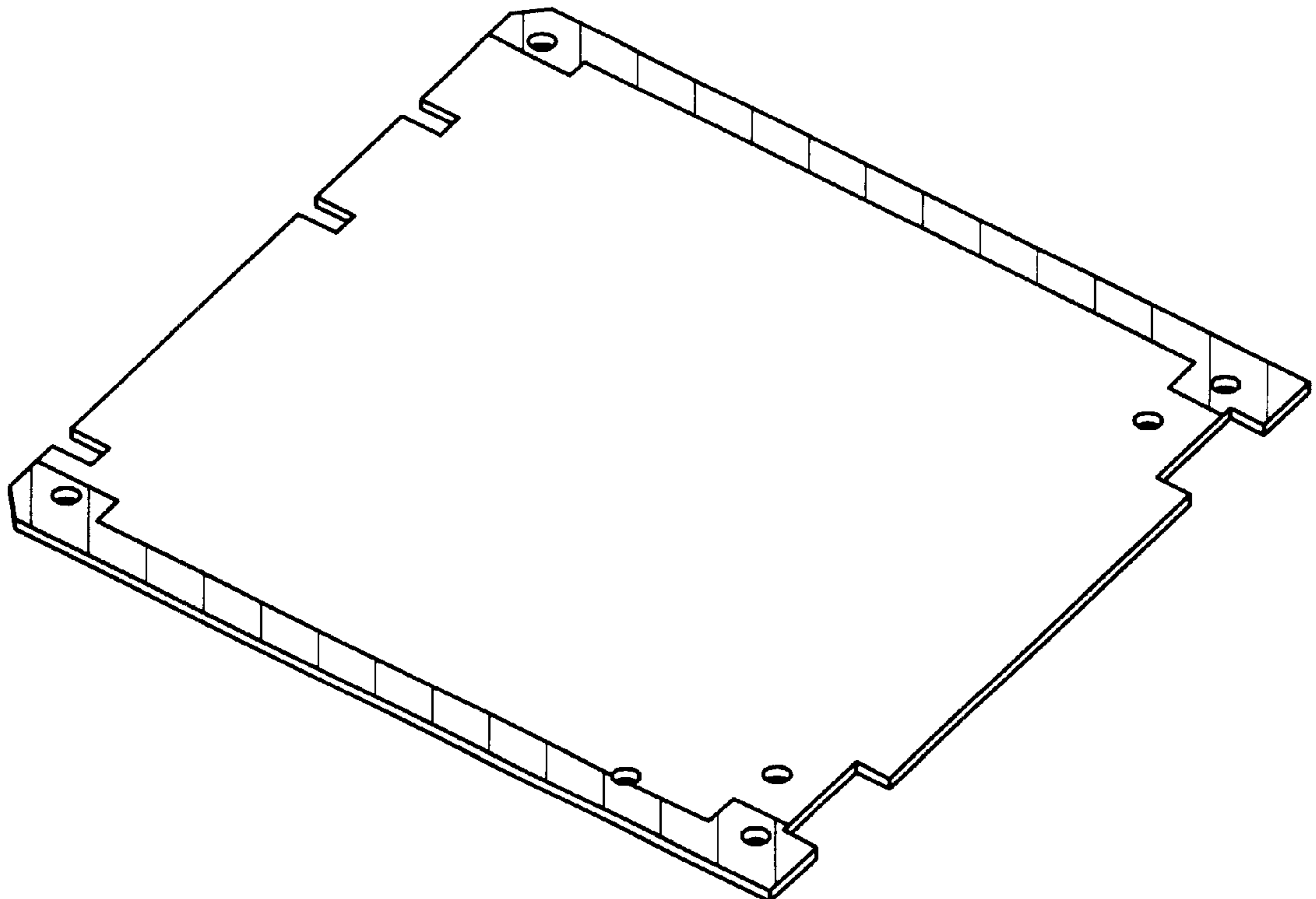
(57) **CLAIM**

The ornamental design of a printed circuit board, as shown in the Figures.

DESCRIPTION

FIG. 1 is a three-quarter view of the printed circuit board; FIG. 2 is a plan view from above of the printed circuit board; FIG. 3 is a plan view from below of the printed circuit board; FIG. 4 is a first side view of the printed circuit board; FIG. 5 is a first end view of the printed circuit board; FIG. 6 is a second end view of the printed circuit board; and, FIG. 7 is a second side view of the printed circuit board.

1 Claim, 3 Drawing Sheets



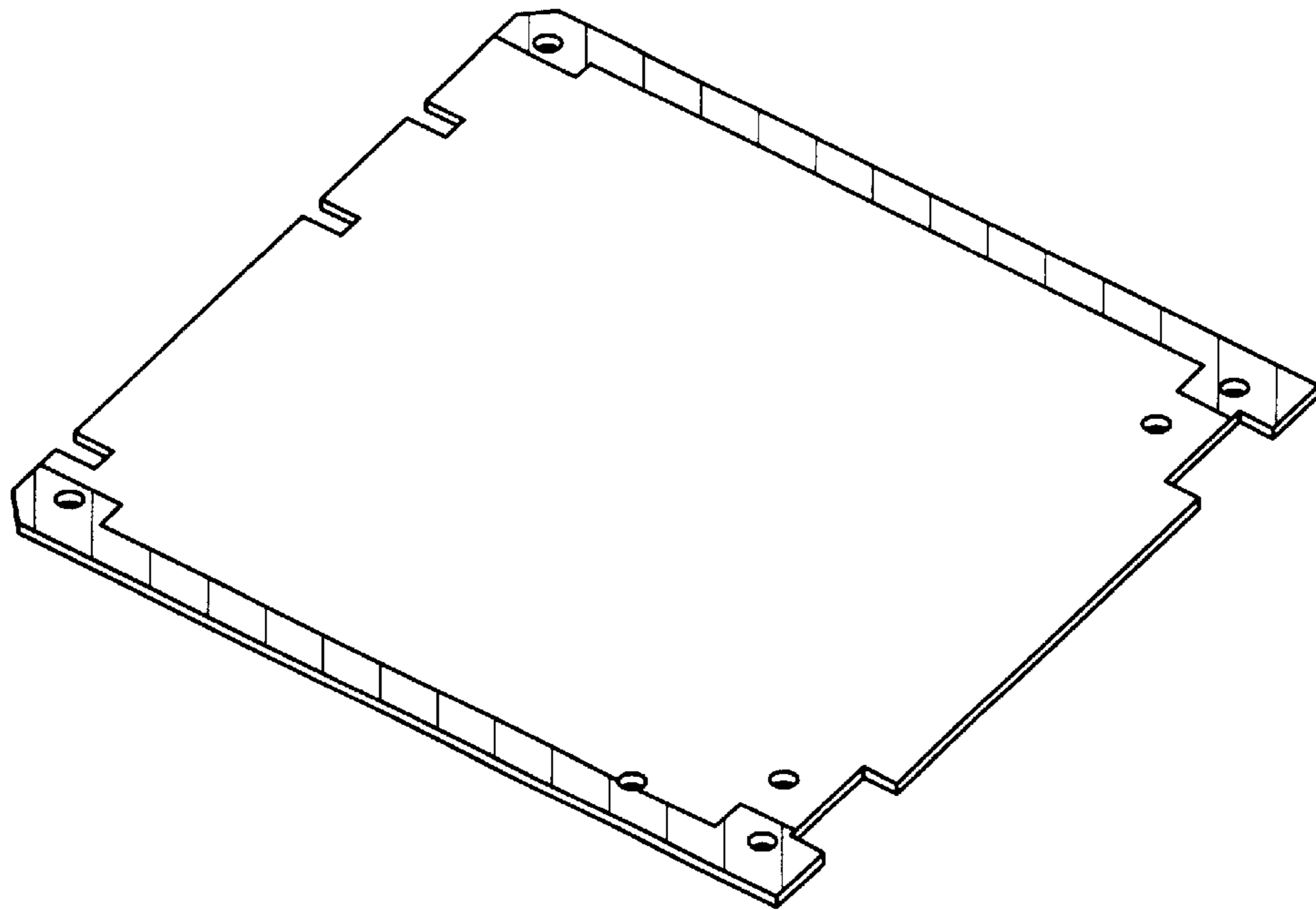


FIG. 1

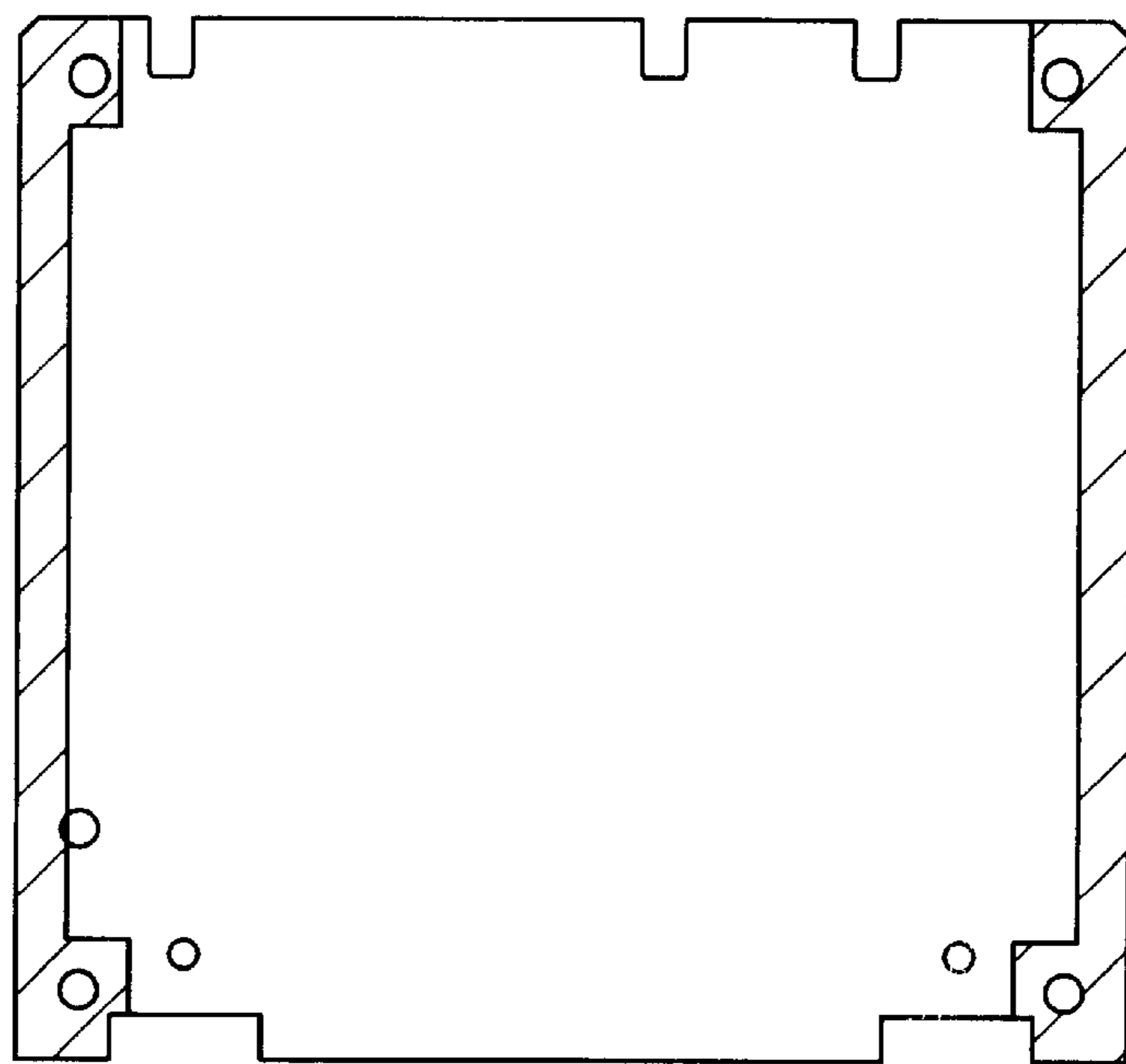


FIG. 2

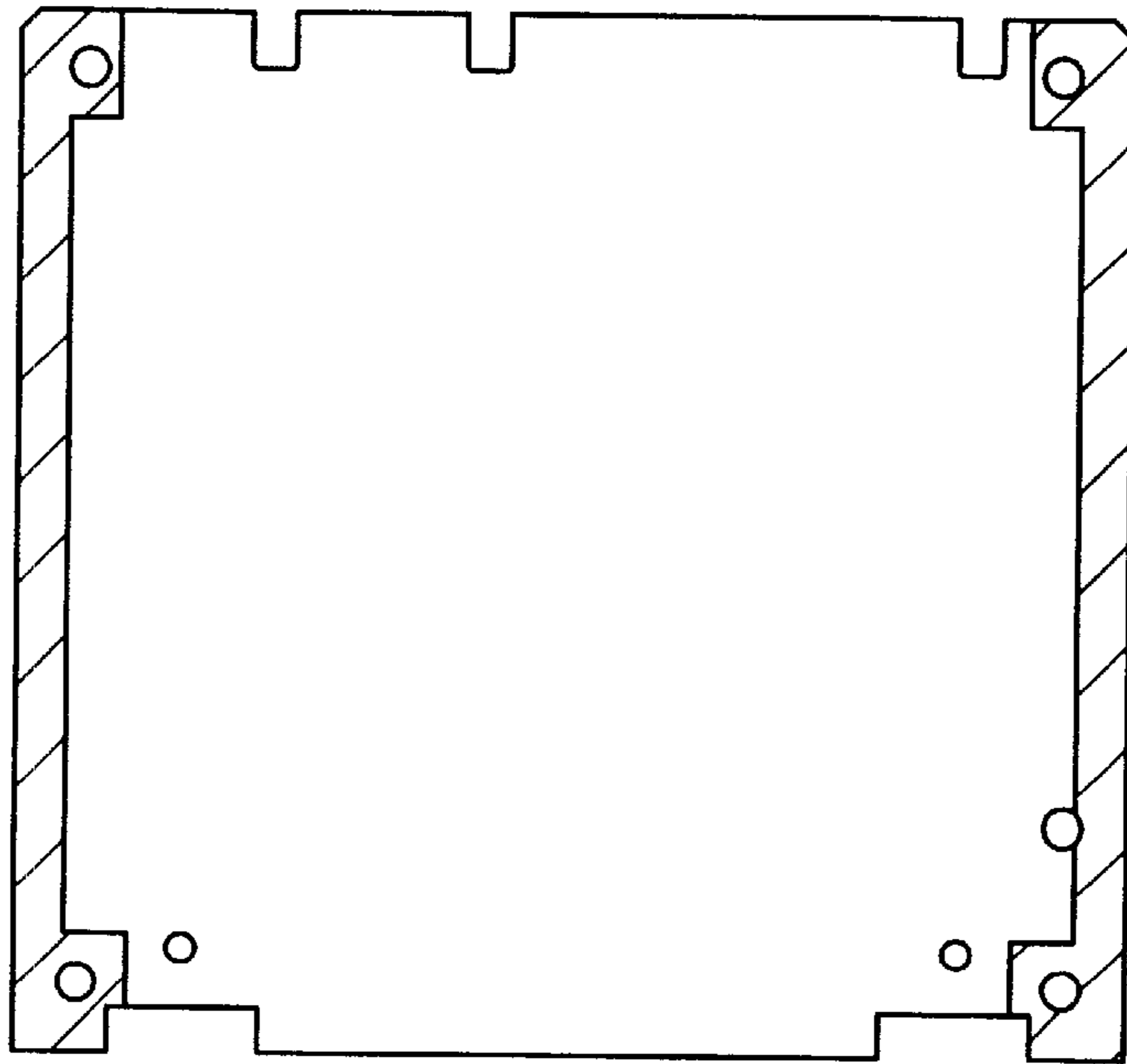


FIG. 3



FIG. 4



FIG. 5

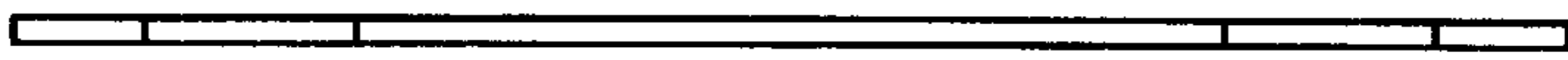


FIG. 6



FIG. 7