



US00D465771S

(12) **United States Design Patent**
Hsieh

(10) **Patent No.:** **US D465,771 S**

(45) **Date of Patent:** **** Nov. 19, 2002**

(54) **HEAT DISSIPATING ASSEMBLY**

(76) **Inventor:** **Hsin-Mao Hsieh**, No. 6, East Section,
Chiao Nan Li, Industrial 6th Rd.,
Pingtung City, Pingtung Hsien (TW)

(**) **Term:** **14 Years**

(21) **Appl. No.:** **29/145,512**

(22) **Filed:** **Jul. 24, 2001**

(51) **LOC (7) Cl.** **13-03**

(52) **U.S. Cl.** **D13/179**

(58) **Field of Search** D13/179; 174/16.3;
257/706, 707, 718, 719, 720, 721, 722,
727, 686; 361/271, 274.3, 697, 702, 704,
709, 710, 711

(56) **References Cited**

U.S. PATENT DOCUMENTS

| | | | | | |
|-------------|---|---------|---------------|-------|----------|
| 5,368,094 A | * | 11/1994 | Hung | | 165/80.3 |
| 5,486,980 A | * | 1/1996 | Jordan et al. | | 361/697 |
| 5,495,392 A | * | 2/1996 | Shen | | 361/697 |
| 5,664,624 A | * | 9/1997 | Tsai et al. | | 165/80.3 |
| 5,724,228 A | * | 3/1998 | Lee | | 361/697 |

| | | | | | |
|--------------|---|---------|-----------|-------|----------|
| 5,960,862 A | * | 10/1999 | Hu | | 165/80.3 |
| D425,030 S | * | 5/2000 | Hsieh | | D13/179 |
| 6,332,251 B1 | * | 12/2001 | Ho et al. | | 24/459 |

* cited by examiner

Primary Examiner—Ted Shooman

Assistant Examiner—Selina Sikder

(74) *Attorney, Agent, or Firm*—Thorp Reed & Armstrong
LLP

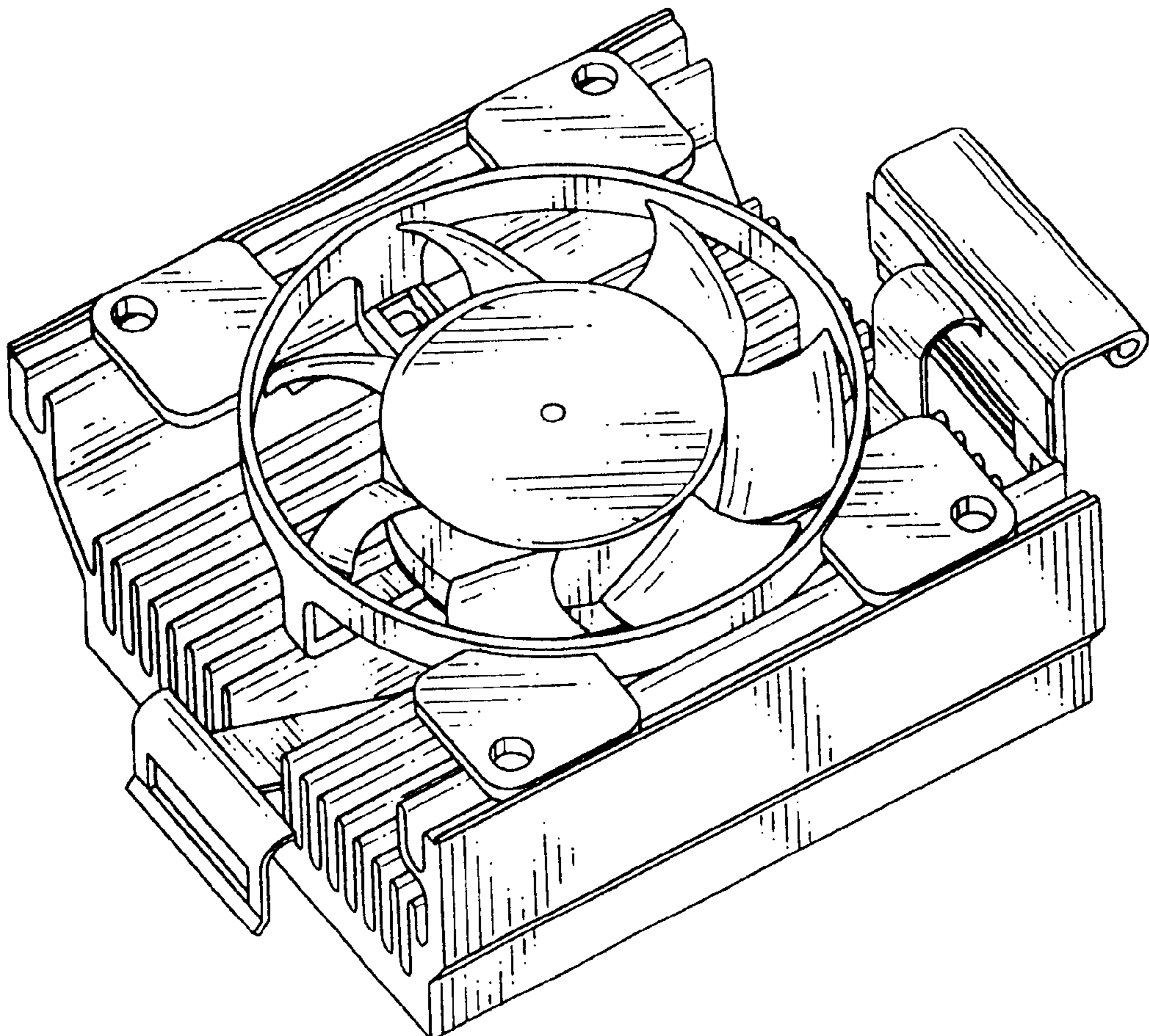
(57) **CLAIM**

The ornamental design for a heat dissipating assembly, as shown.

DESCRIPTION

FIG. 1 is a perspective view of a heat dissipating assembly, showing my new design;
FIG. 2 is a front elevational view thereof;
FIG. 3 is a rear elevational view thereof;
FIG. 4 is a left side elevational view thereof;
FIG. 5 is a right side elevational view thereof;
FIG. 6 is a top plan view thereof; and,
FIG. 7 is a bottom plan view thereof.

1 Claim, 4 Drawing Sheets



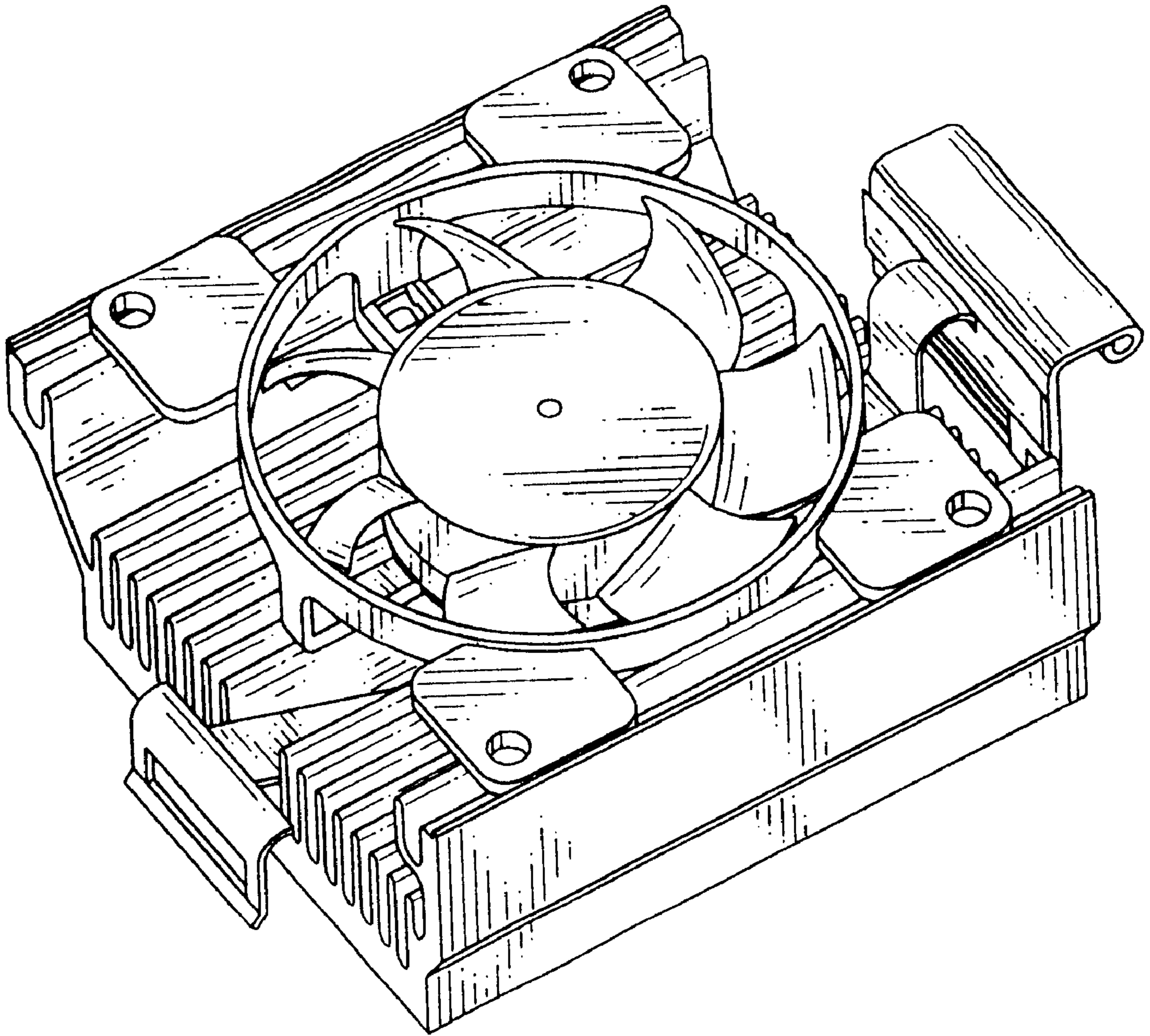


FIG. 1

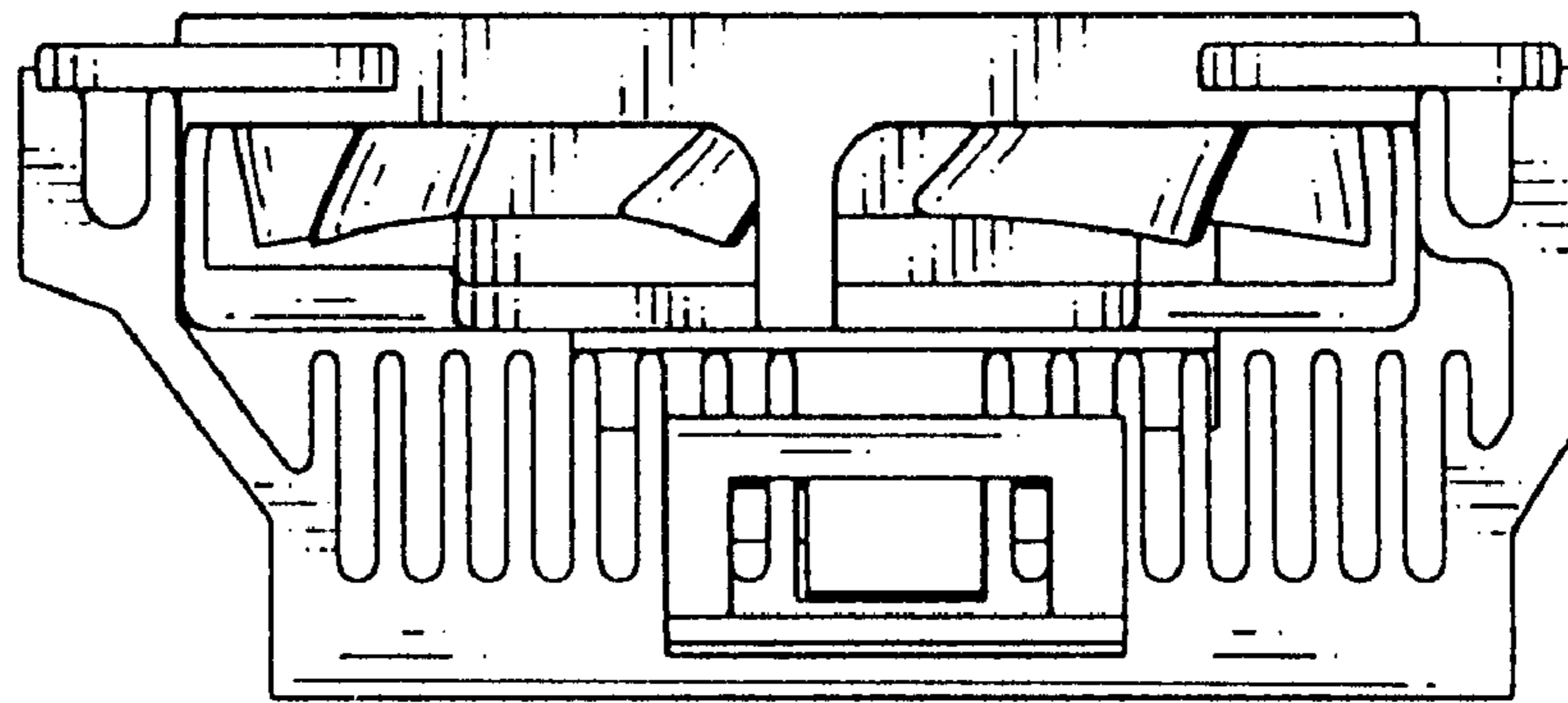


FIG. 2

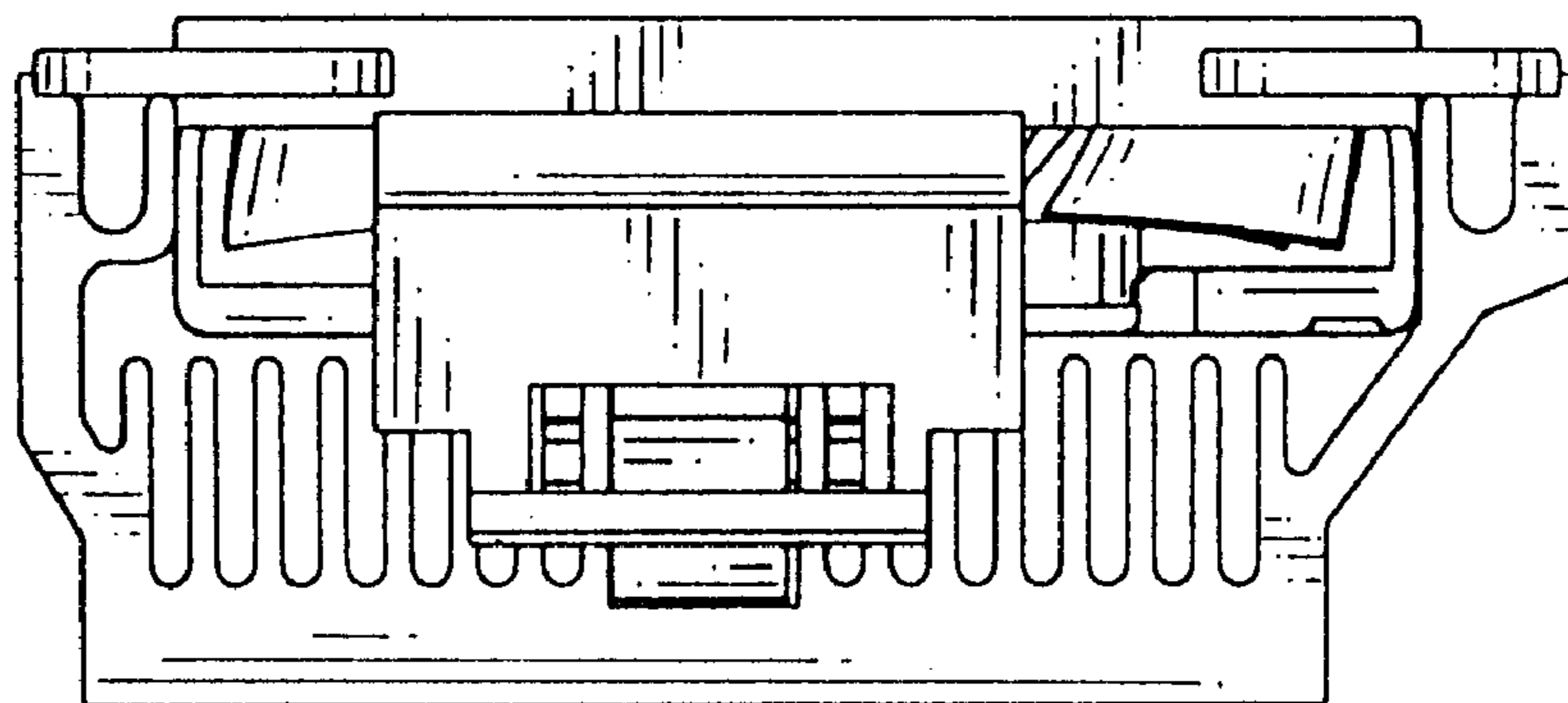


FIG. 3

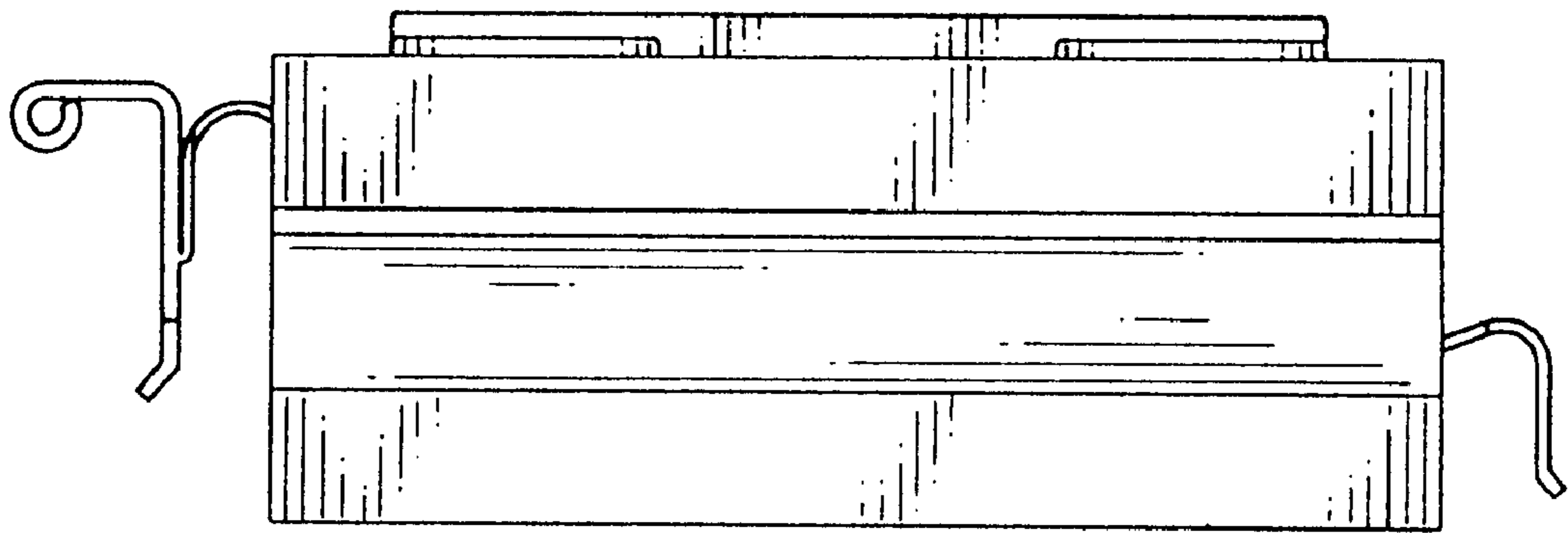


FIG. 4

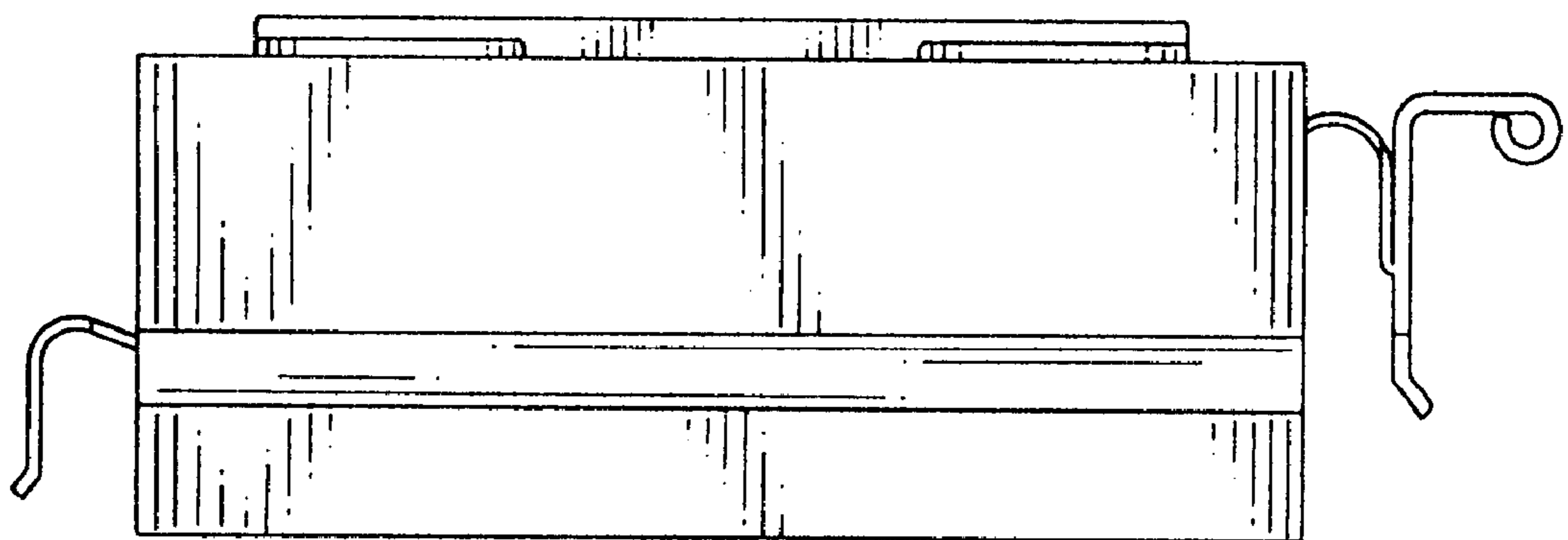


FIG. 5

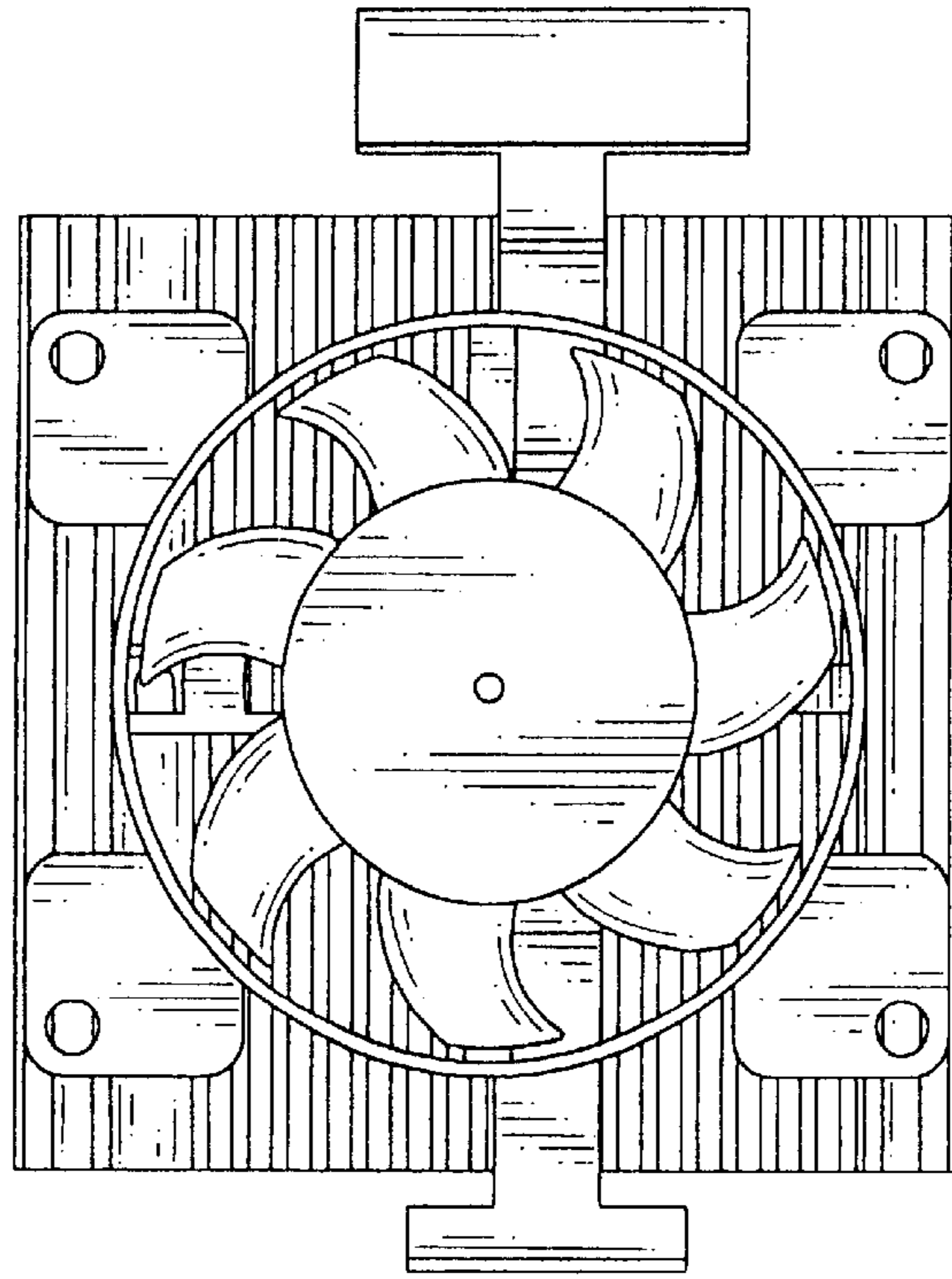


FIG. 6

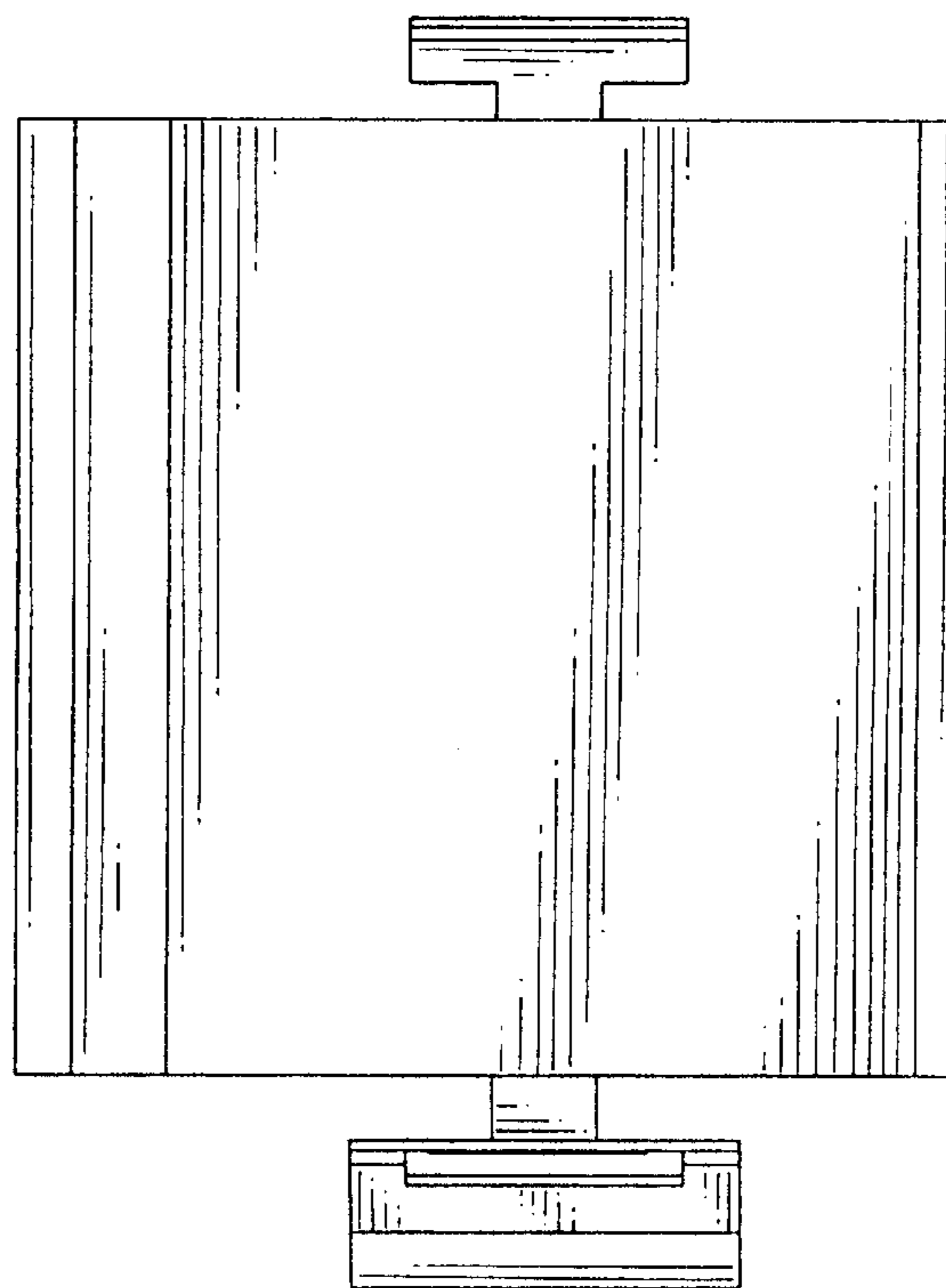


FIG. 7