



US00D465769S

(12) **United States Design Patent**
Zhang et al.

(10) **Patent No.:** **US D465,769 S**

(45) **Date of Patent:** **** Nov. 19, 2002**

(54) **ELECTRICAL CONNECTOR**

(75) Inventors: **Guo Zeng Zhang**, Kunsan (CN);
Guang Xing Shi, Kunsan (CN)

(73) Assignee: **Hon Hai Precision Ind. Co., Ltd.**,
Taipei Hsien (TW)

(**) Term: **14 Years**

(21) Appl. No.: **29/153,048**

(22) Filed: **Dec. 29, 2001**

(30) **Foreign Application Priority Data**

Dec. 26, 2001 (TW) 090308321

(51) **LOC (7) Cl.** **13-03**

(52) **U.S. Cl.** **D13/147**

(58) **Field of Search** D13/146, 147;
439/108, 607, 609, 540.1, 541.5

(56) **References Cited**

U.S. PATENT DOCUMENTS

D345,343 S * 3/1994 Nakamura D13/147
D418,817 S * 1/2000 Wu D13/147

D425,867 S * 5/2000 Lok D13/147
6,077,127 A * 6/2000 Wu 439/717
6,132,254 A * 10/2000 Wu 439/607
D443,251 S * 6/2001 Wang et al. D13/147
6,319,061 B1 * 11/2001 Chen et al. 439/607
6,346,009 B1 * 2/2002 Lin 439/607

* cited by examiner

Primary Examiner—Joel Sincavage

(74) *Attorney, Agent, or Firm*—Wei Te Chung

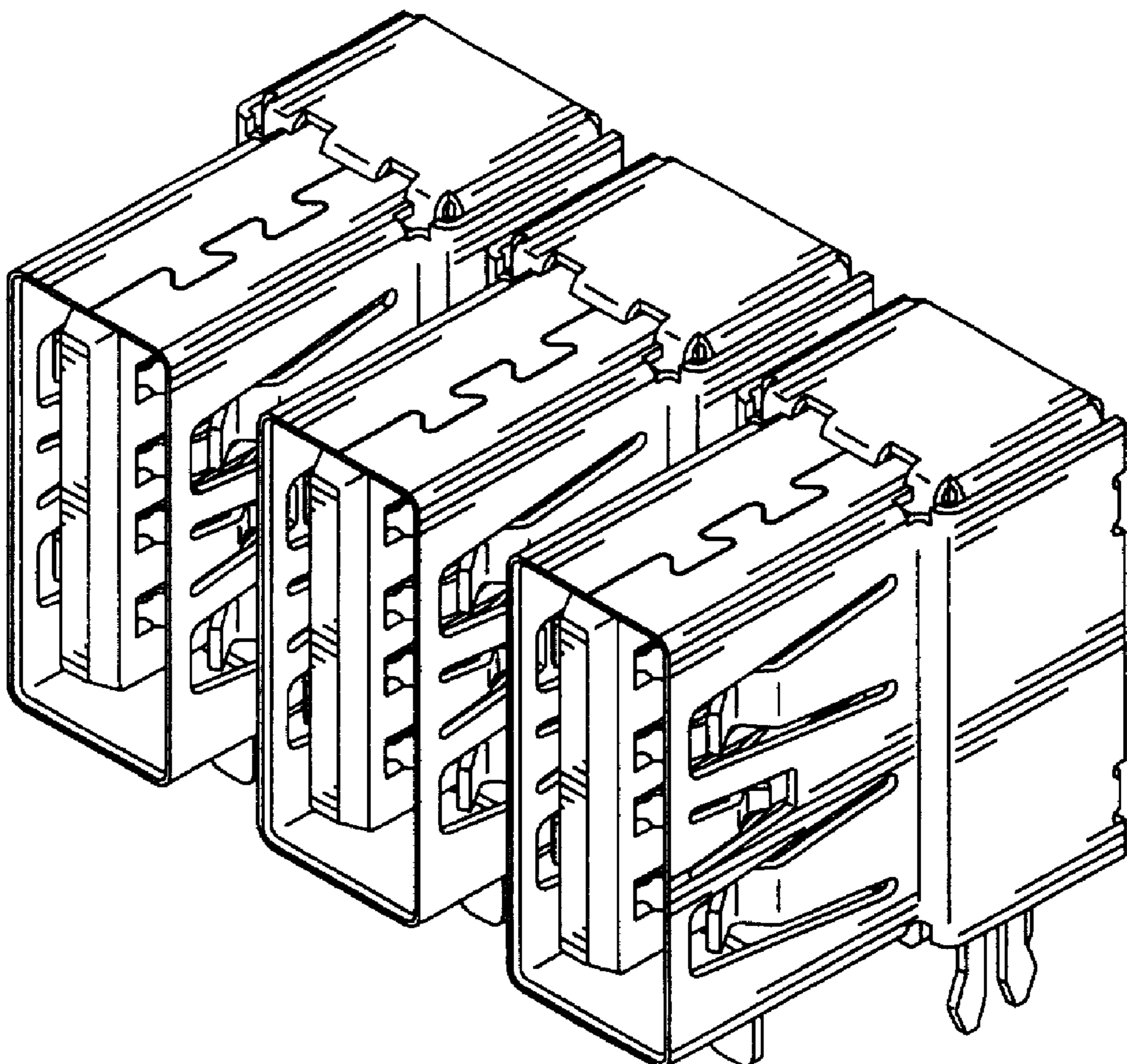
(57) **CLAIM**

The ornamental design for an electrical connector, as shown.

DESCRIPTION

FIG. 1 is a front, top and right side perspective view of an electrical connector showing our new design; FIG. 2 is a front elevational view thereof; FIG. 3 is a rear elevational view thereof; FIG. 4 is a left side elevational view thereof; FIG. 5 is a right side elevational view thereof; FIG. 6 is a top plan view thereof; and, FIG. 7 is a bottom plan view thereof.

1 Claim, 4 Drawing Sheets



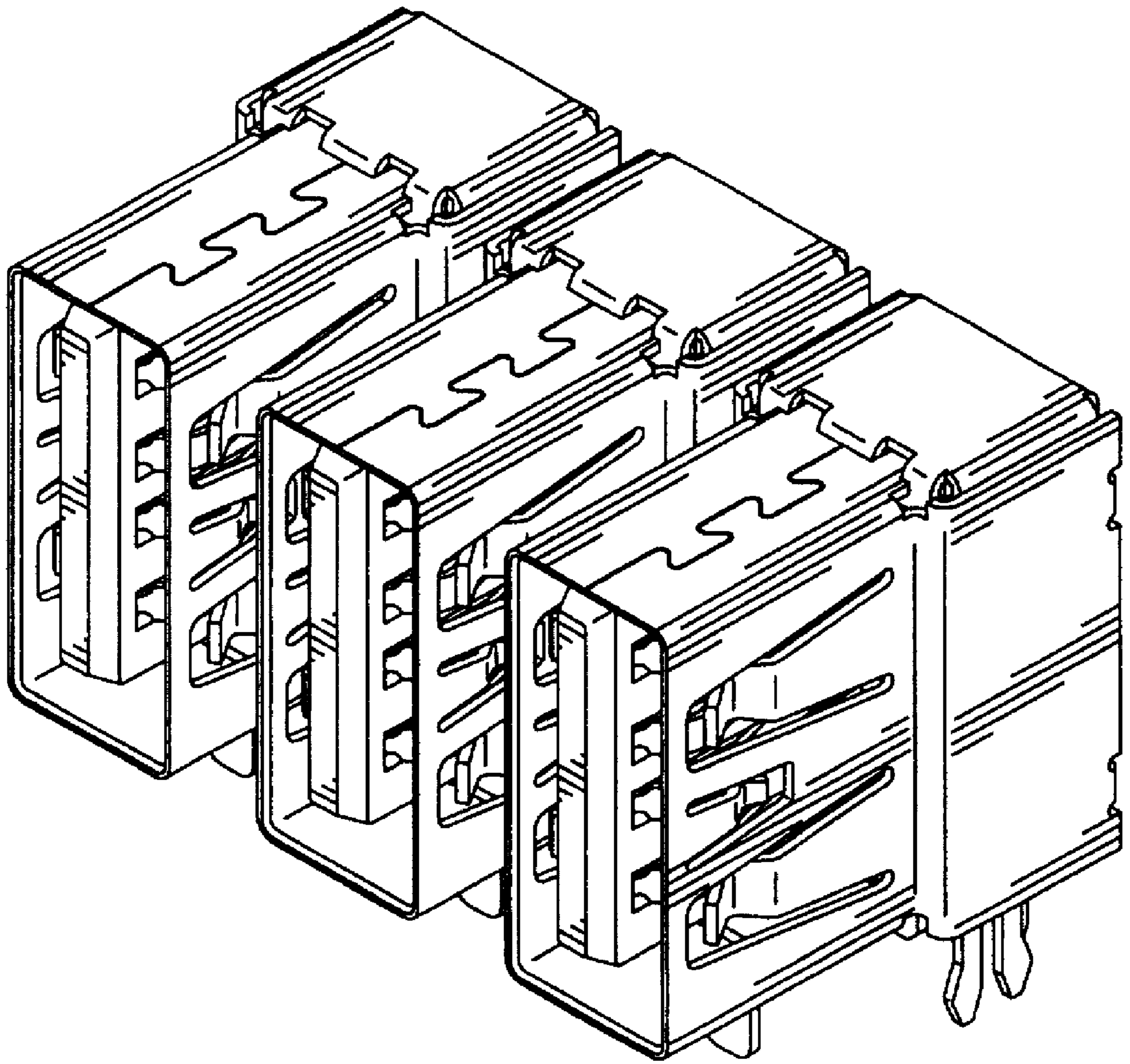


FIG. 1

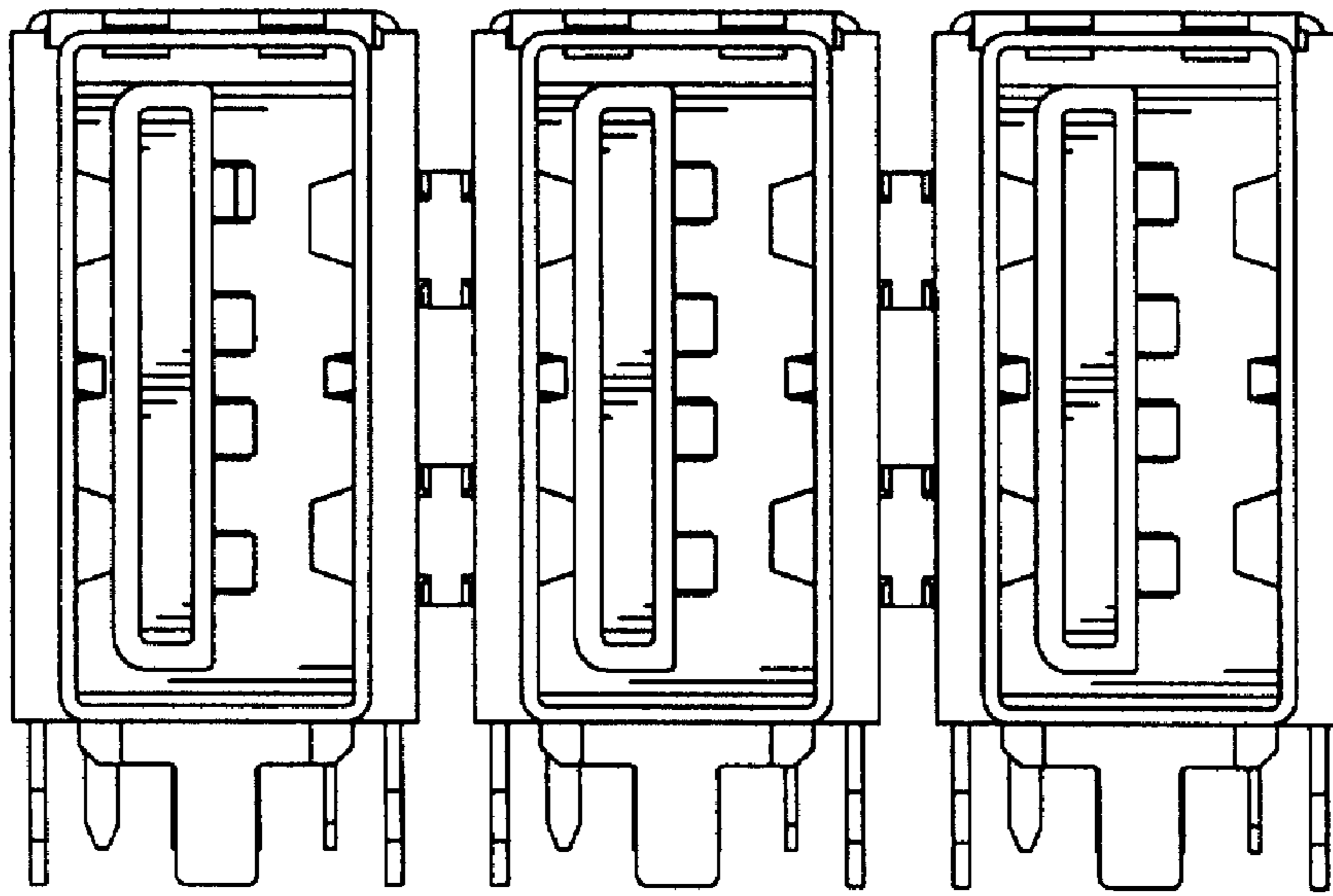


FIG. 2

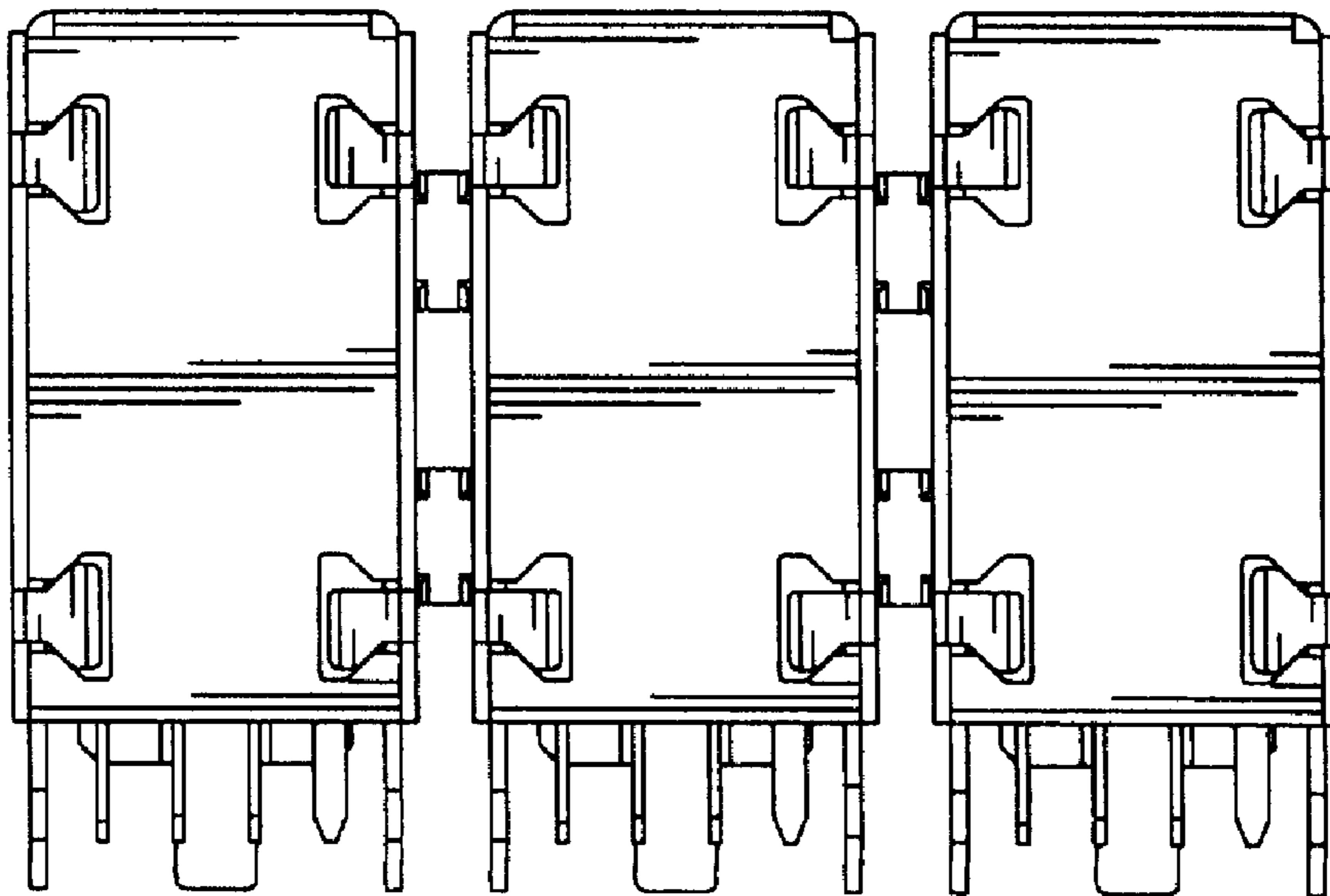


FIG. 3

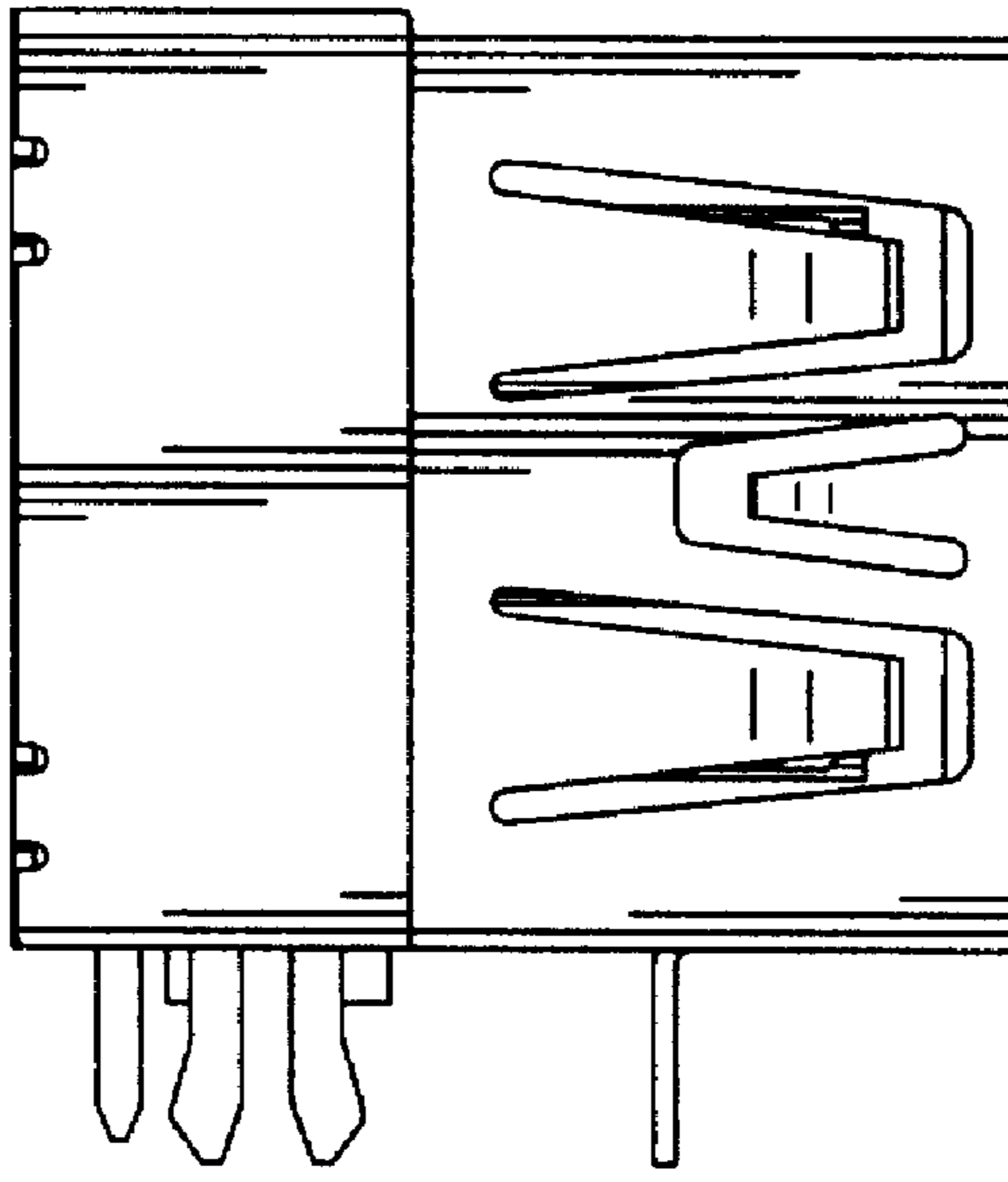


FIG. 4

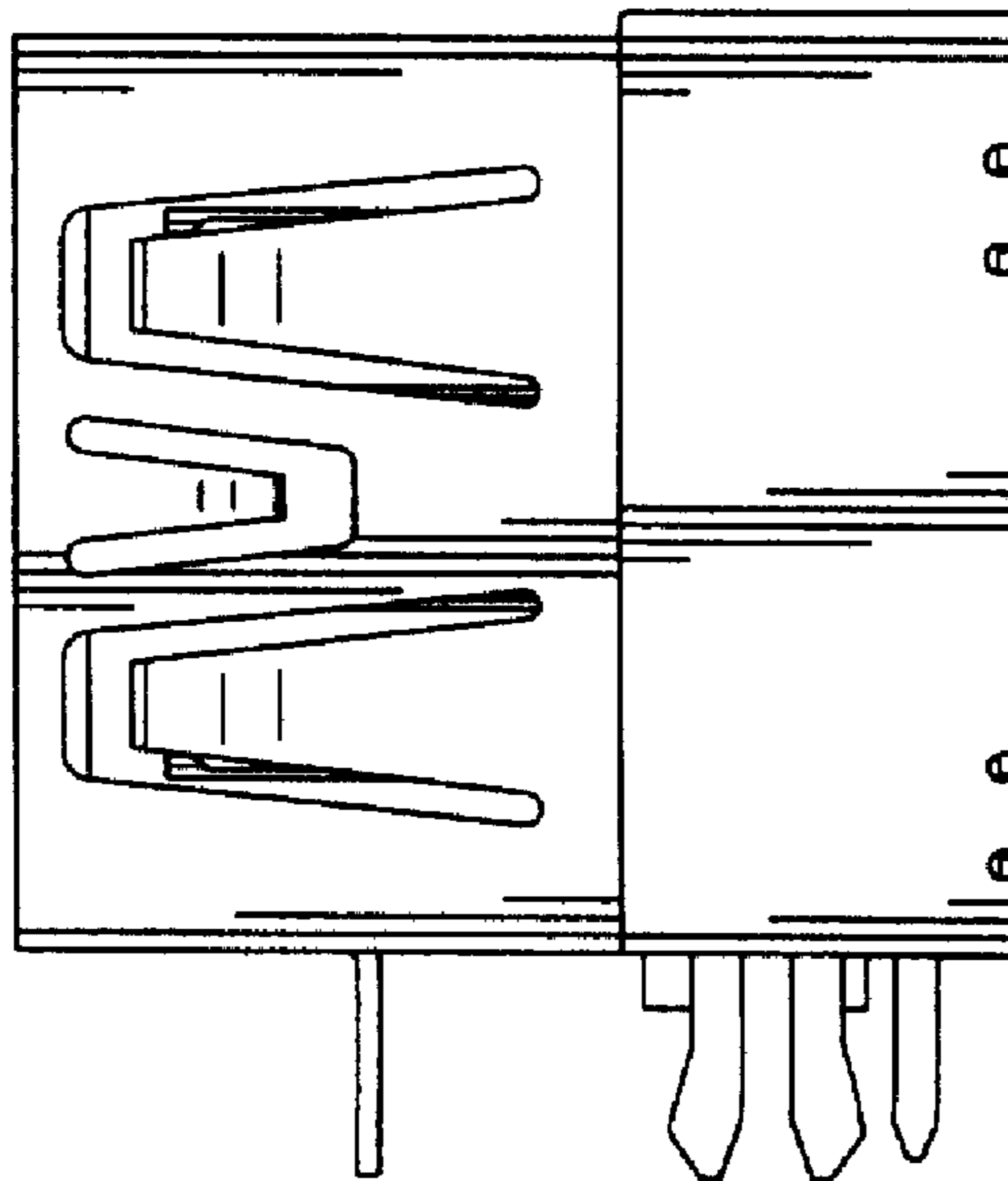


FIG. 5

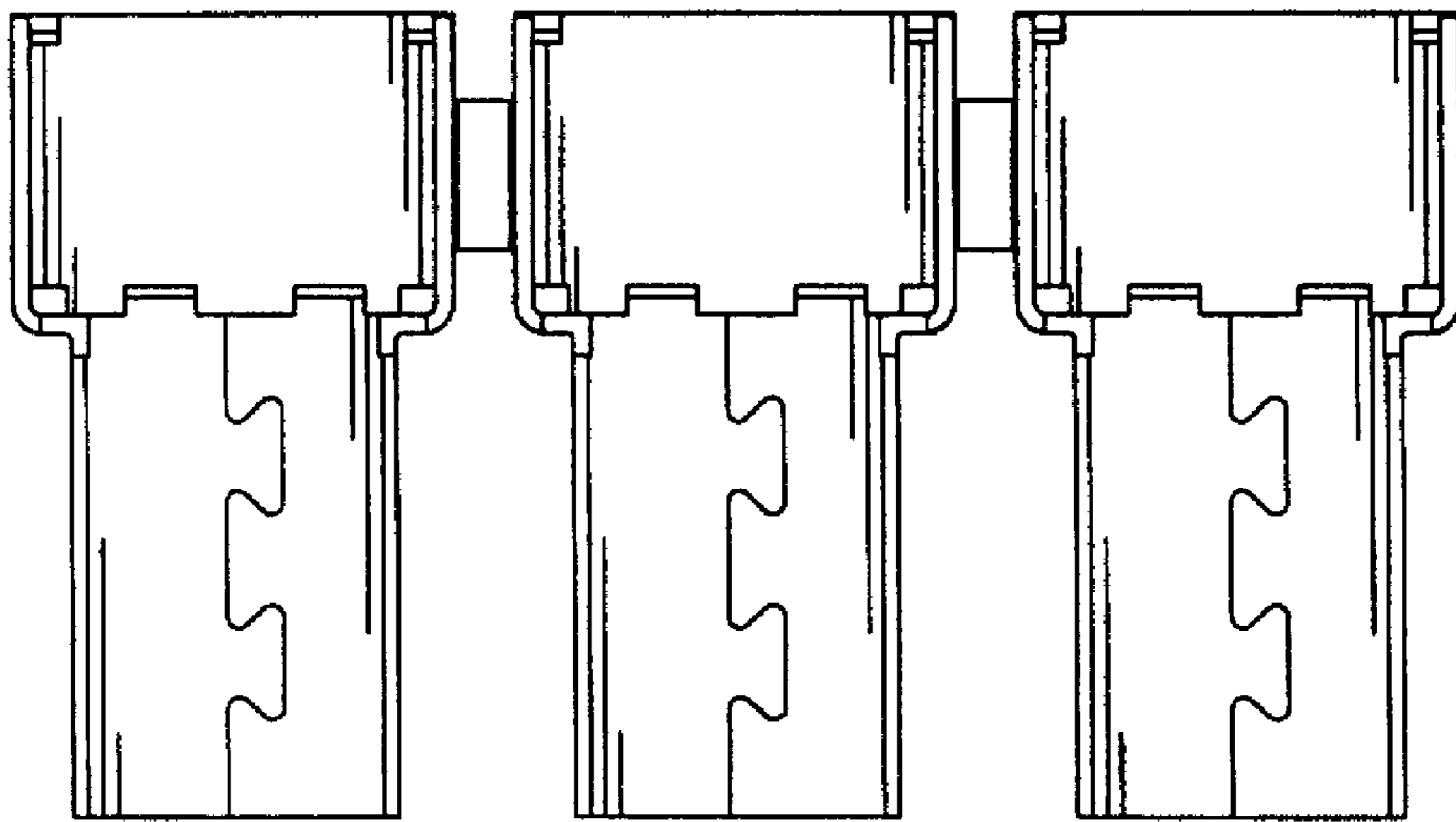


FIG. 6

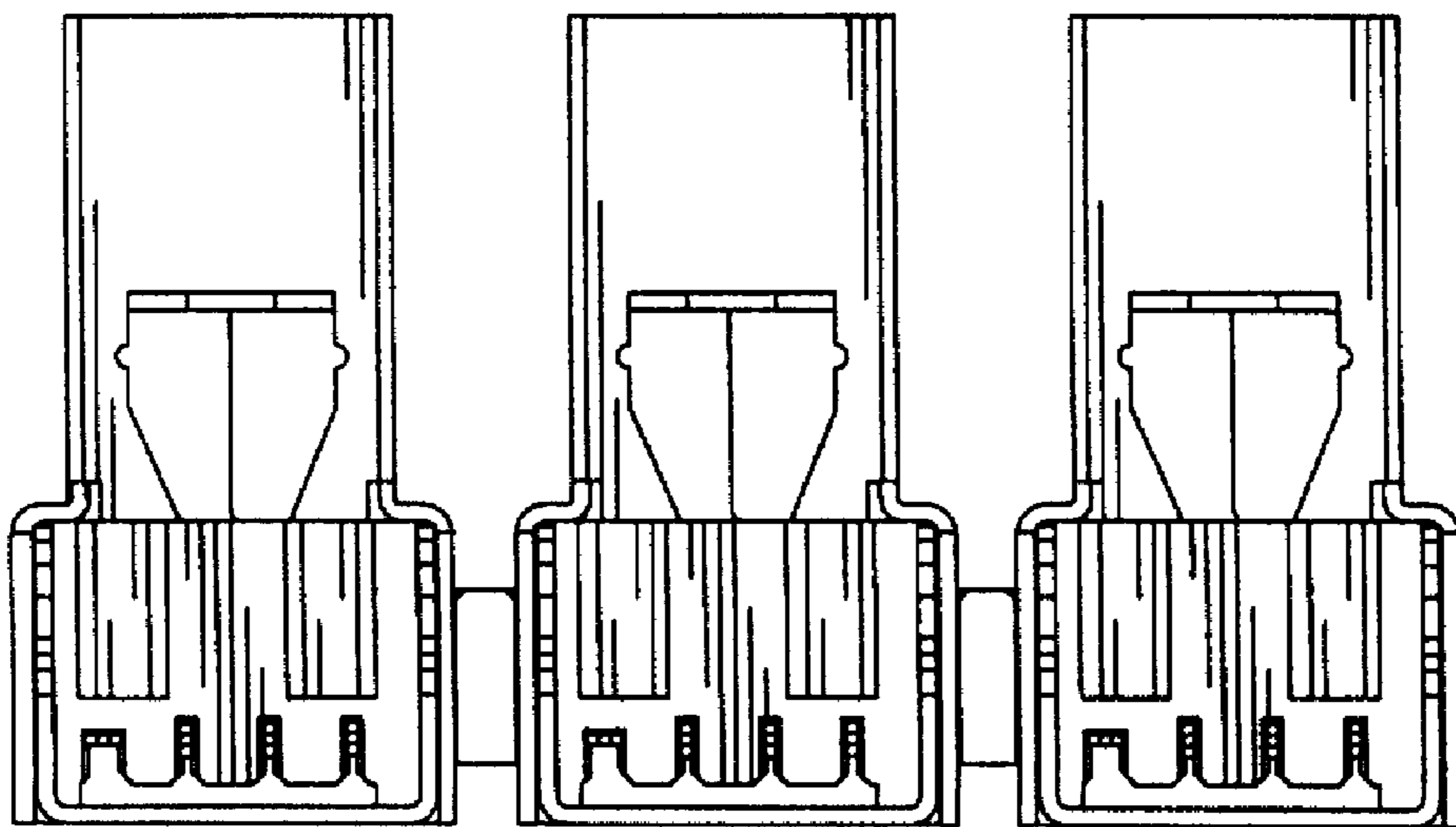


FIG. 7