



US00D465768S

(12) **United States Design Patent**
Zhu et al.

(10) **Patent No.:** **US D465,768 S**

(45) **Date of Patent:** **** Nov. 19, 2002**

(54) **ELECTRICAL CONNECTOR**

6,113,428 A * 9/2000 Yeh 439/609
6,139,367 A * 10/2000 Yeh 439/609

(75) Inventors: **ZiQiang Zhu**, Kunsan (CN);
ZhongHua Yao, Kunsan (CN); **Jinkui Hu**, Kunsan (CN)

* cited by examiner

(73) Assignee: **Hon Hai Precision Ind. Co., Ltd.**,
Taipei Hsien (TW)

Primary Examiner—Joel Sincavage
(74) *Attorney, Agent, or Firm*—Wei Te Chung

(**) Term: **14 Years**

(57) **CLAIM**

The ornamental design for an electrical connector, as shown.

(21) Appl. No.: **29/152,071**

DESCRIPTION

(22) Filed: **Dec. 6, 2001**

FIG. 1 is a front, top and right side perspective view of an electrical connector showing our new design;
FIG. 2 is a front elevational view thereof;
FIG. 3 is a rear elevational view thereof;
FIG. 4 is a left side elevational view thereof;
FIG. 5 is a right side elevational view thereof;
FIG. 6 is a top plan view thereof; and,
FIG. 7 is a bottom plan view thereof.

(51) **LOC (7) Cl.** **13-03**

(52) **U.S. Cl.** **D13/147**

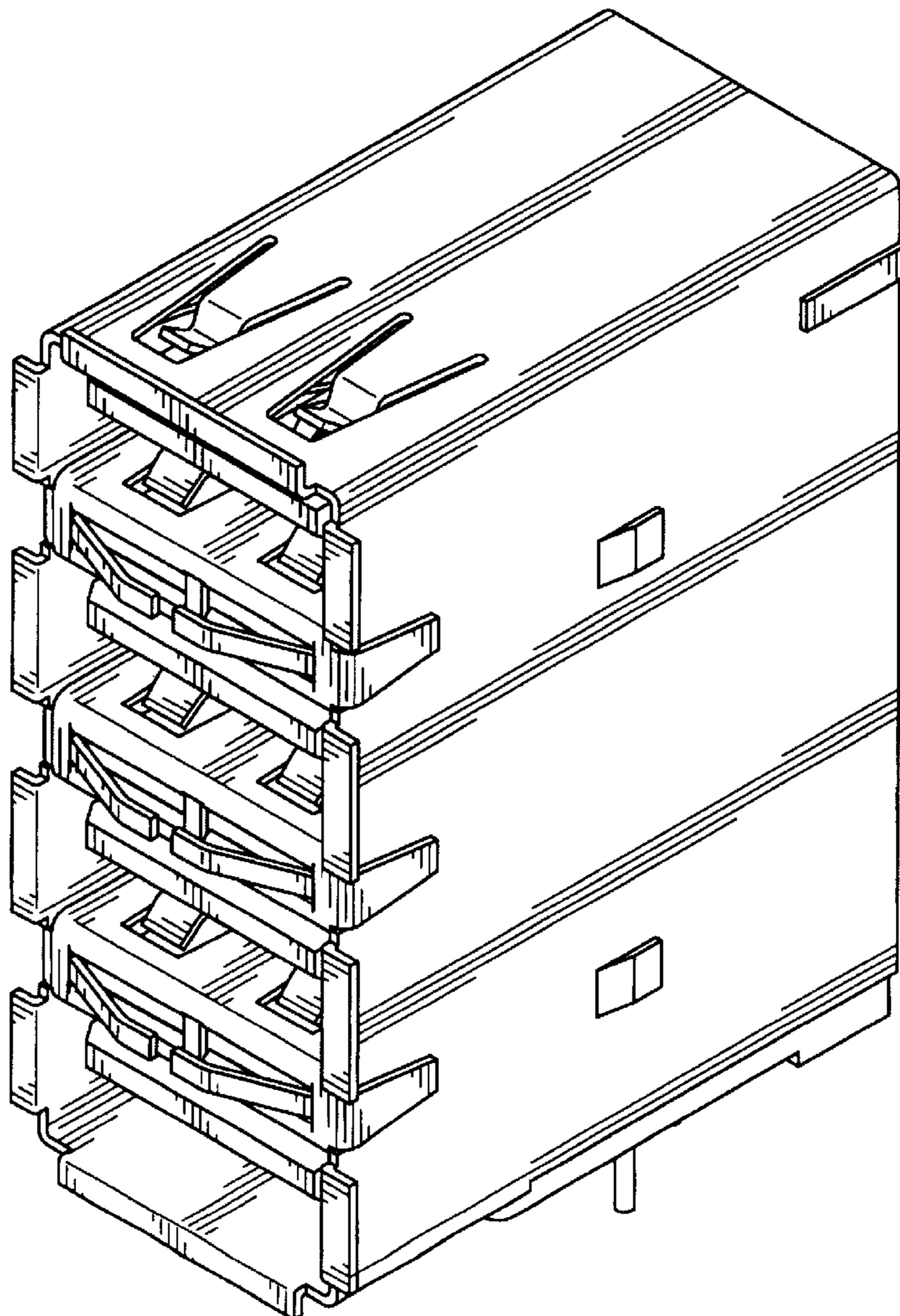
(58) **Field of Search** D13/146, 147;
439/108, 607, 609, 540.1, 541.5

(56) **References Cited**

U.S. PATENT DOCUMENTS

D418,480 S * 1/2000 Yeh D13/147

1 Claim, 7 Drawing Sheets



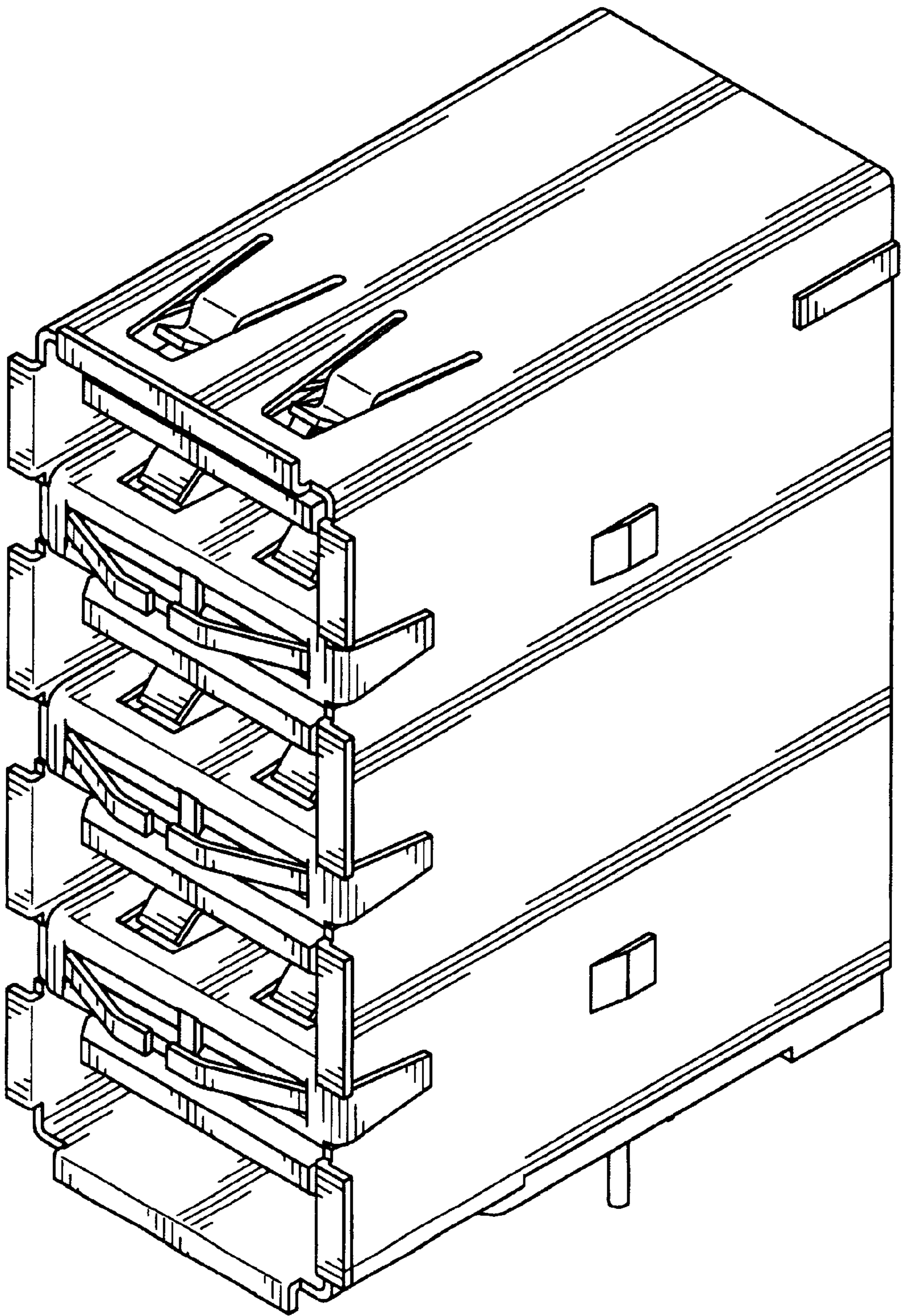


FIG. 1

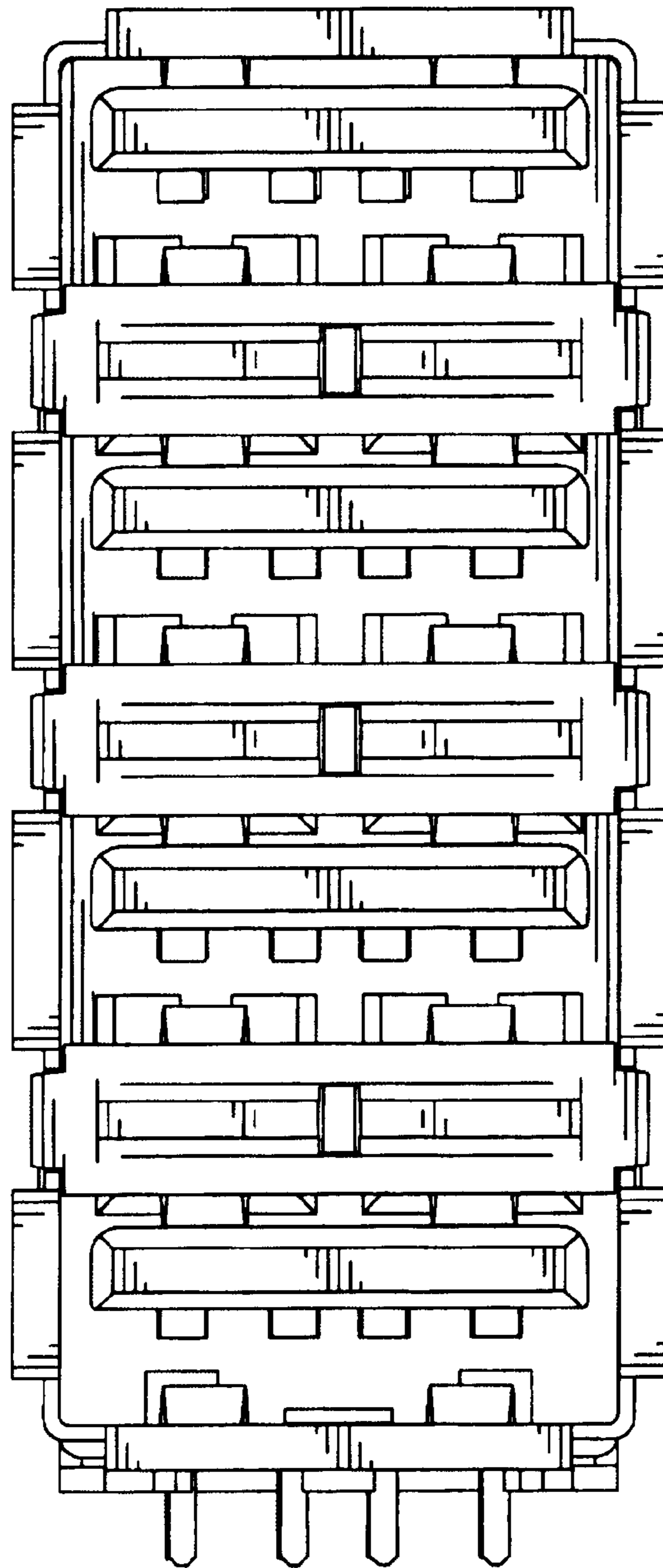


FIG. 2

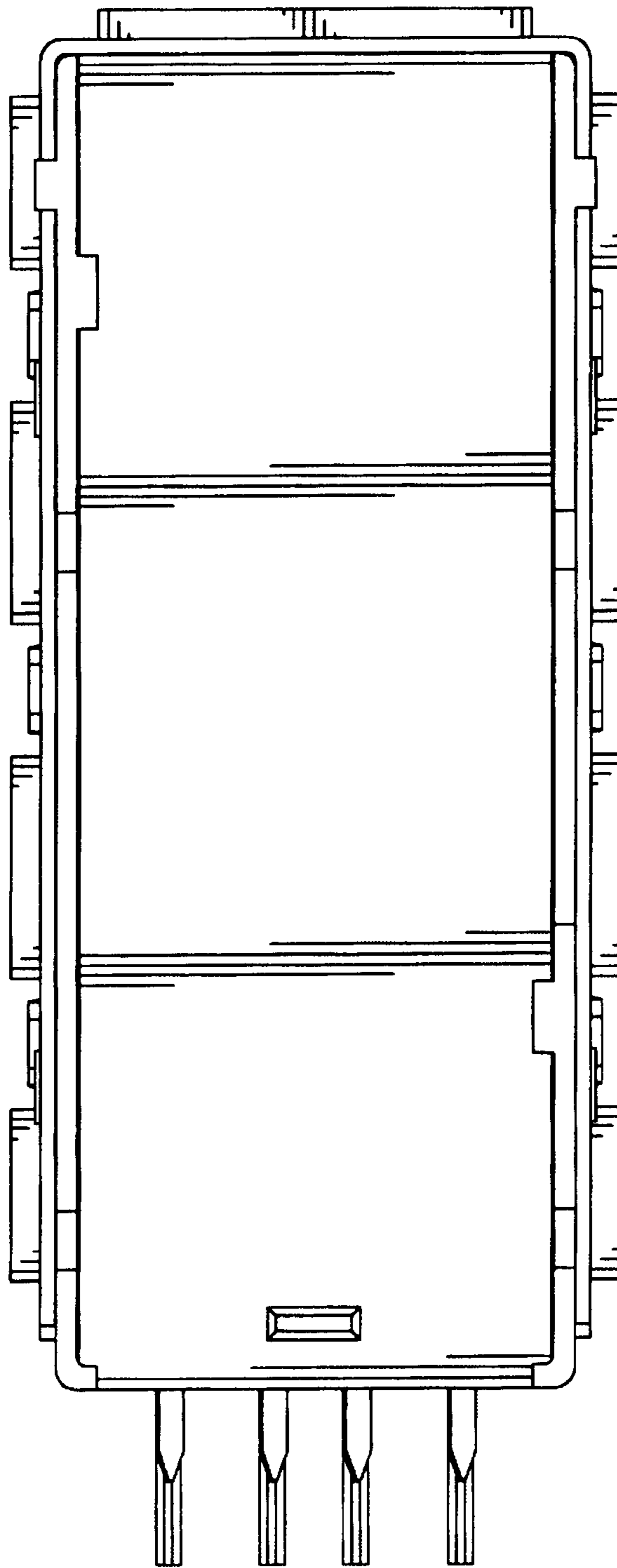


FIG. 3

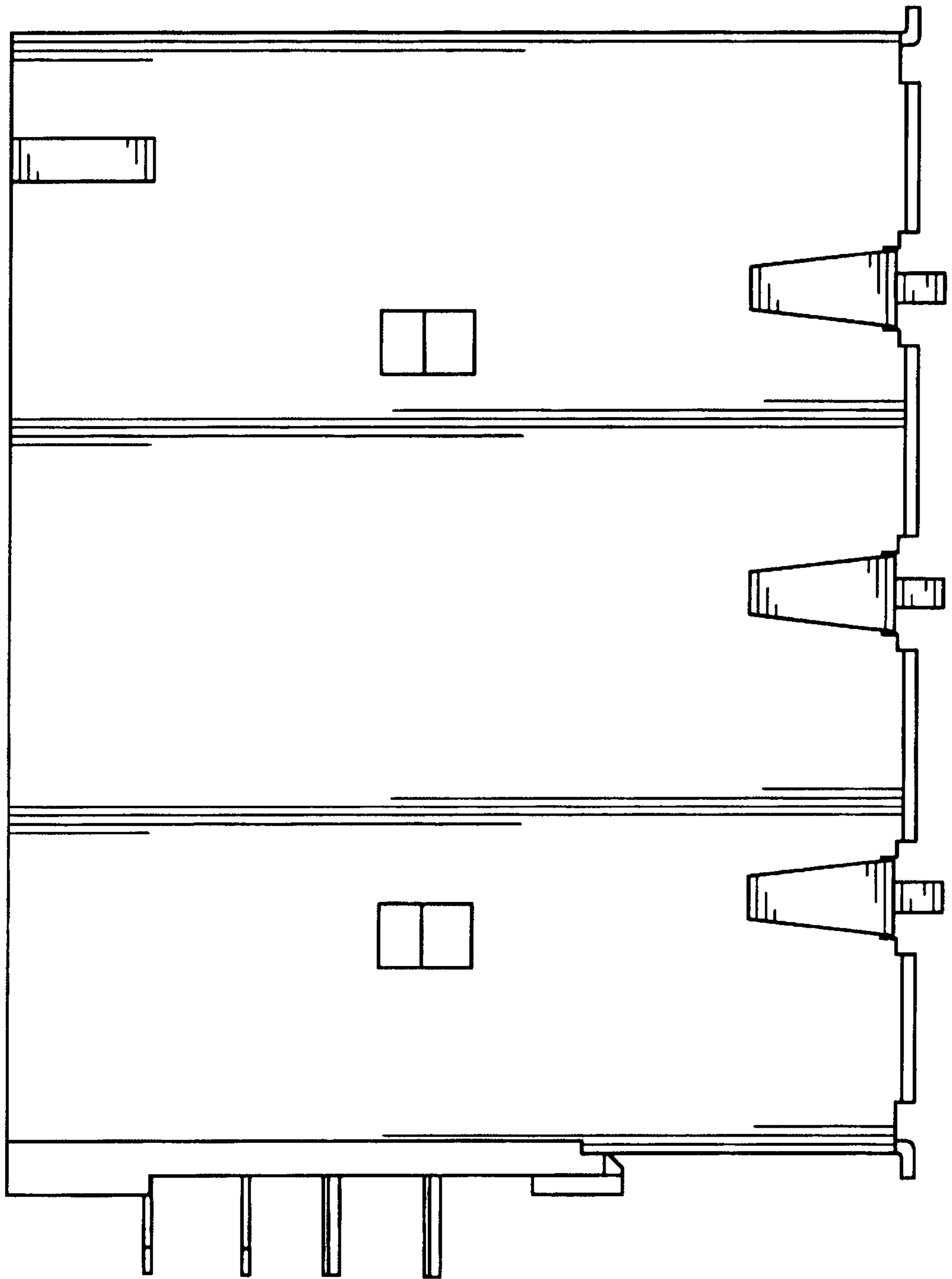


FIG. 4

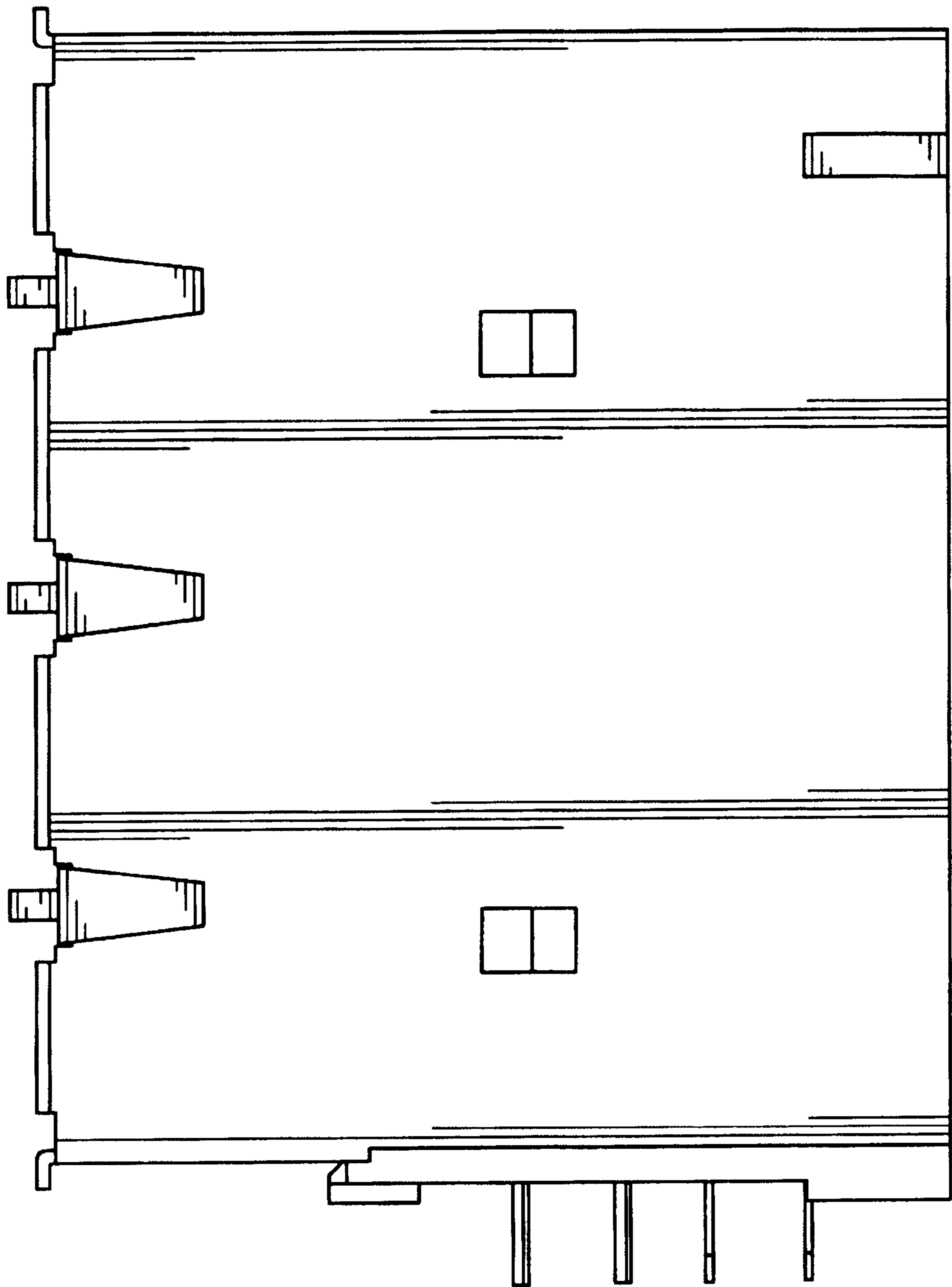


FIG. 5

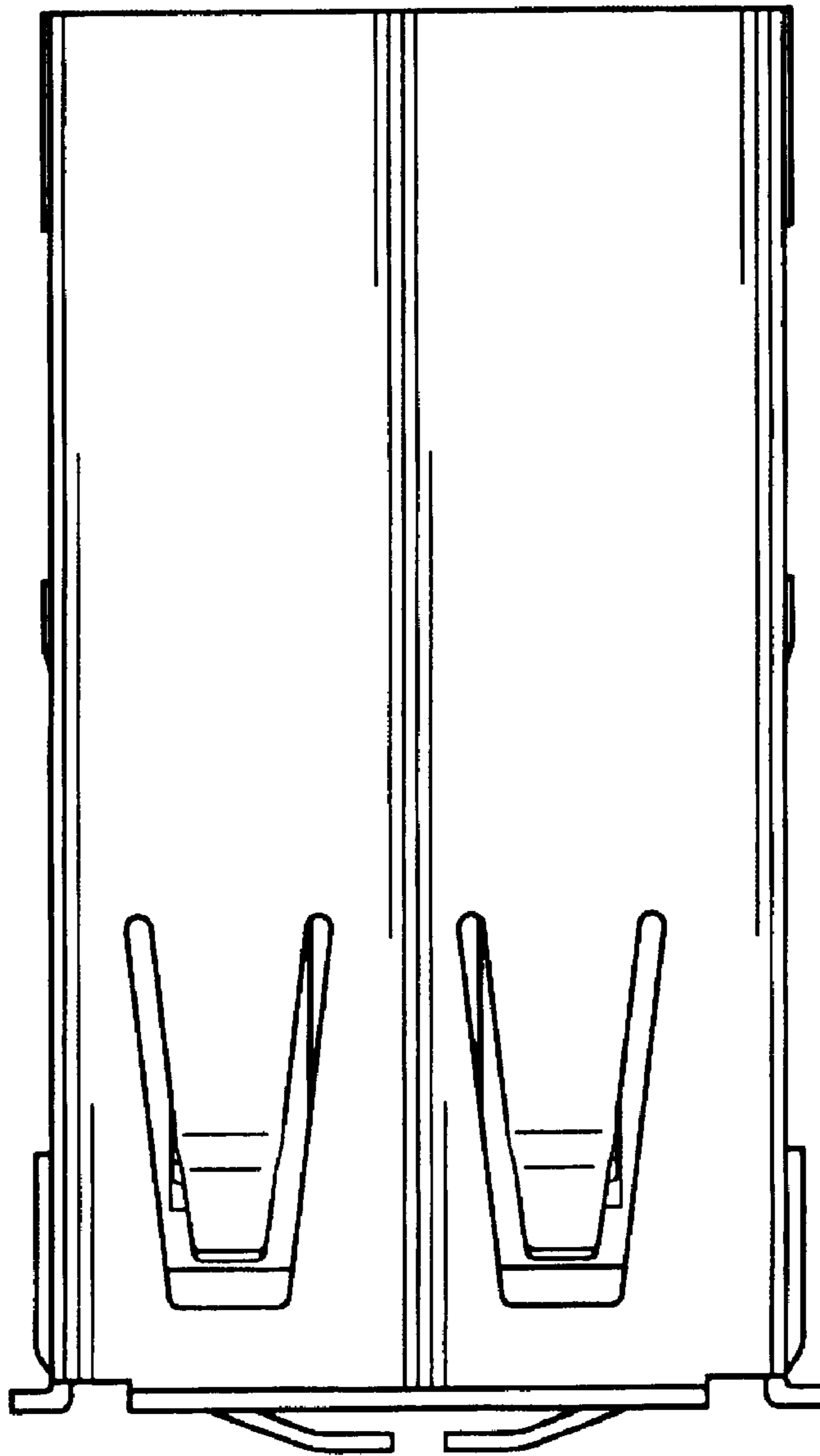


FIG. 6

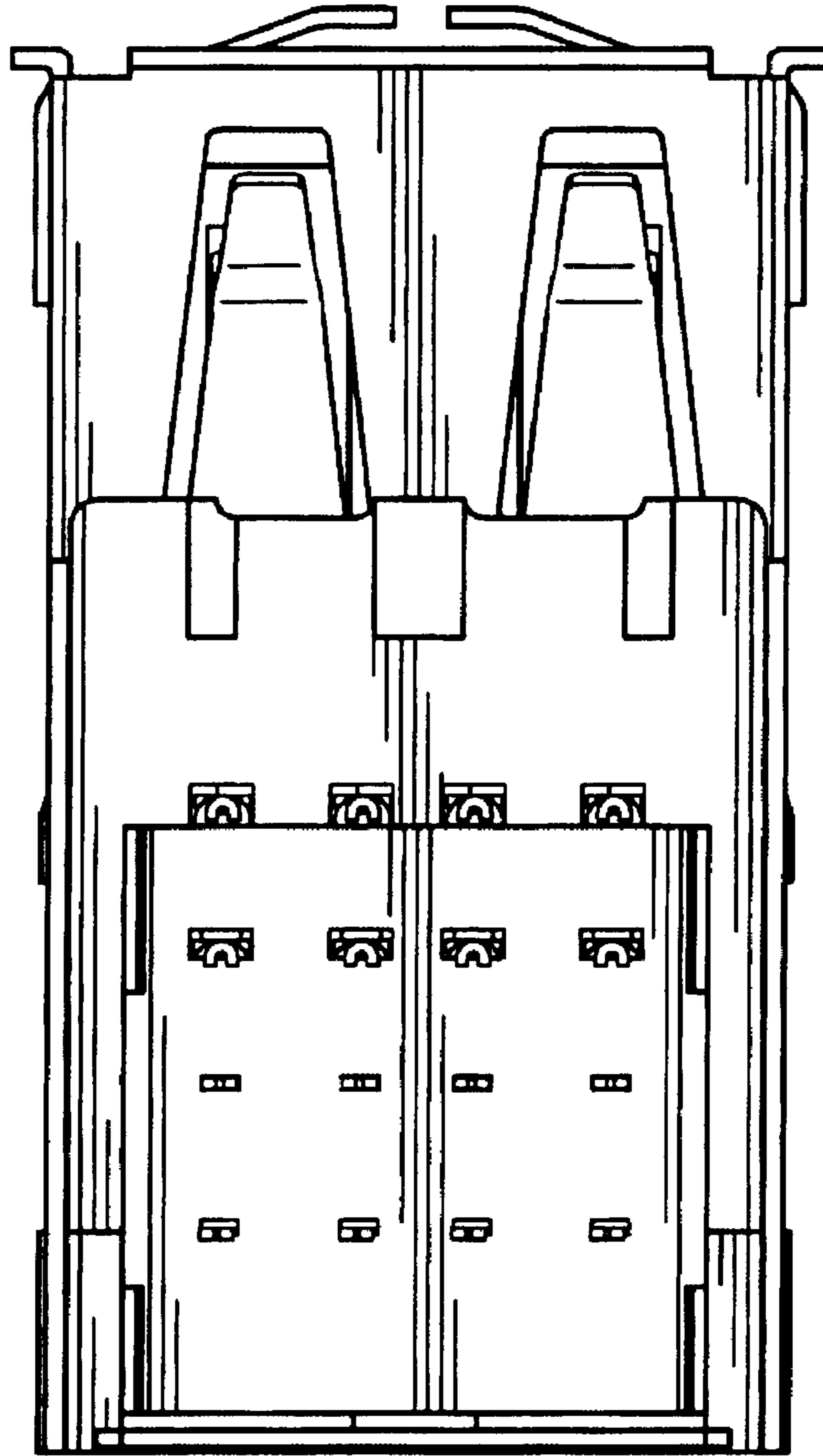


FIG. 7