



US00D465767S

(12) **United States Design Patent**  
**Zhu et al.**

(10) **Patent No.:** **US D465,767 S**

(45) **Date of Patent:** **\*\* Nov. 19, 2002**

(54) **ELECTRICAL CONNECTOR**

(75) Inventors: **ZiQiang Zhu**, ShenZhen (CN); **Jinkui Hu**, ShenZhen (CN)

(73) Assignee: **Hon Hai Precision Ind. Co., Ltd.**,  
Taipei Hsien (TW)

(\*\*) Term: **14 Years**

(21) Appl. No.: **29/149,073**

(22) Filed: **Oct. 1, 2001**

(30) **Foreign Application Priority Data**

Sep. 20, 2001 (TW) ..... 090306022

(51) **LOC (7) Cl.** ..... **13-03**

(52) **U.S. Cl.** ..... **D13/147**

(58) **Field of Search** ..... D13/146, 147;  
439/108, 607, 609

(56) **References Cited**

**U.S. PATENT DOCUMENTS**

- D344,492 S \* 2/1994 Nakamura ..... D13/147
- 5,938,473 A \* 8/1999 Nishio et al. .... 439/567
- 5,984,725 A \* 11/1999 Belopolsky et al. .... 439/607

- 5,993,258 A \* 11/1999 Matsunuma et al. .... 439/607
- 6,007,382 A \* 12/1999 Wu ..... 439/607
- D425,027 S \* 5/2000 Nishio et al. .... D13/147
- D427,567 S \* 7/2000 Nishio et al. .... D13/147
- D427,975 S \* 7/2000 Zhu et al. .... D13/147
- 6,183,300 B1 \* 2/2001 Belopolsky et al. .... 439/607
- D446,773 S \* 8/2001 Yao et al. .... D13/147

\* cited by examiner

*Primary Examiner*—Joel Sincavage

(74) *Attorney, Agent, or Firm*—Wei Te Chung

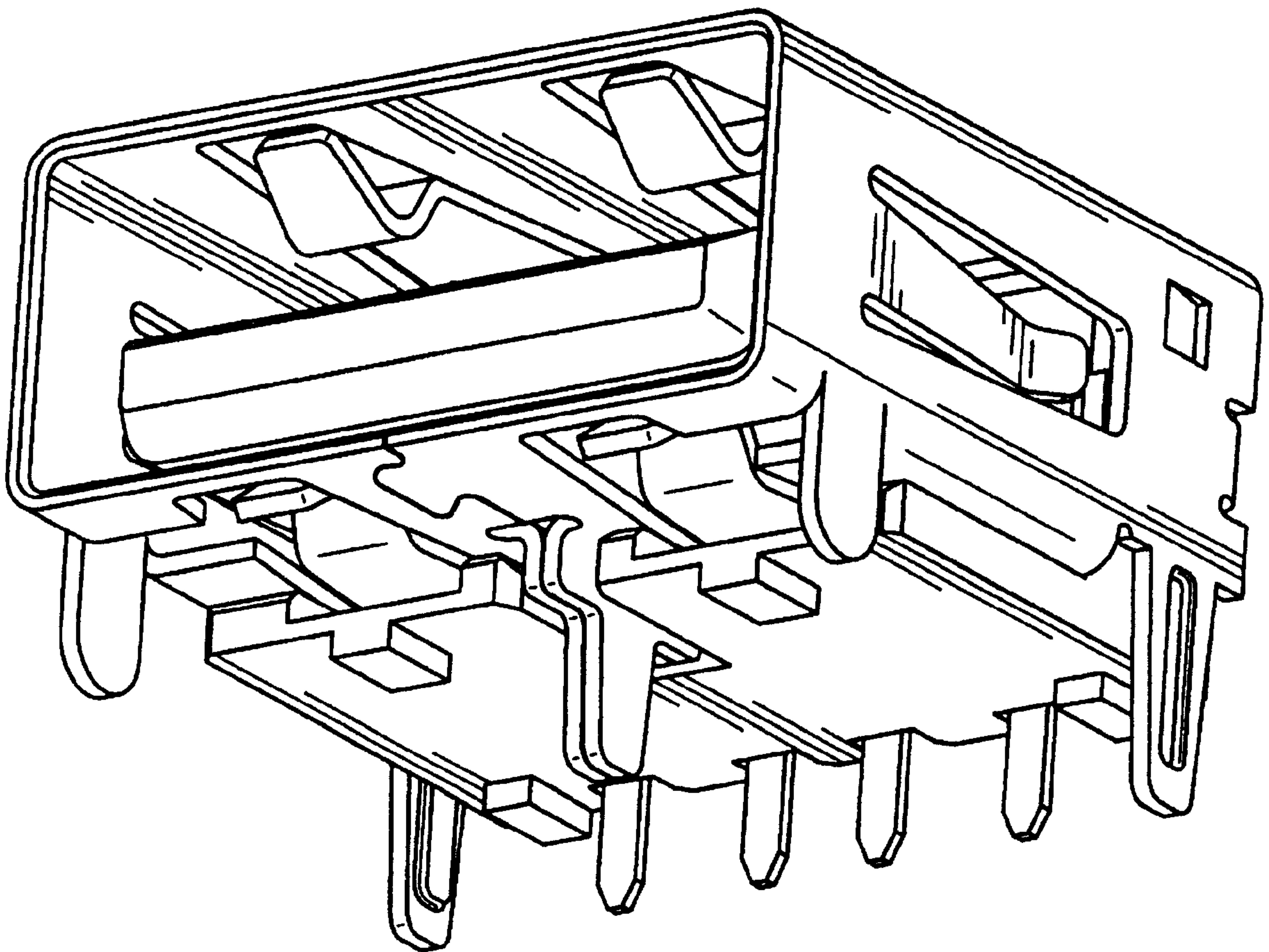
(57) **CLAIM**

The ornamental design for an electrical connector, as shown.

**DESCRIPTION**

FIG. 1 is a front, top and right side perspective view of an electrical connector showing our new design;  
 FIG. 2 is a front elevational view thereof;  
 FIG. 3 is a rear elevational view thereof;  
 FIG. 4 is a left side elevational view thereof;  
 FIG. 5 is a right side elevational view thereof;  
 FIG. 6 is a top plan view thereof; and,  
 FIG. 7 is a bottom plan view thereof.

**1 Claim, 5 Drawing Sheets**



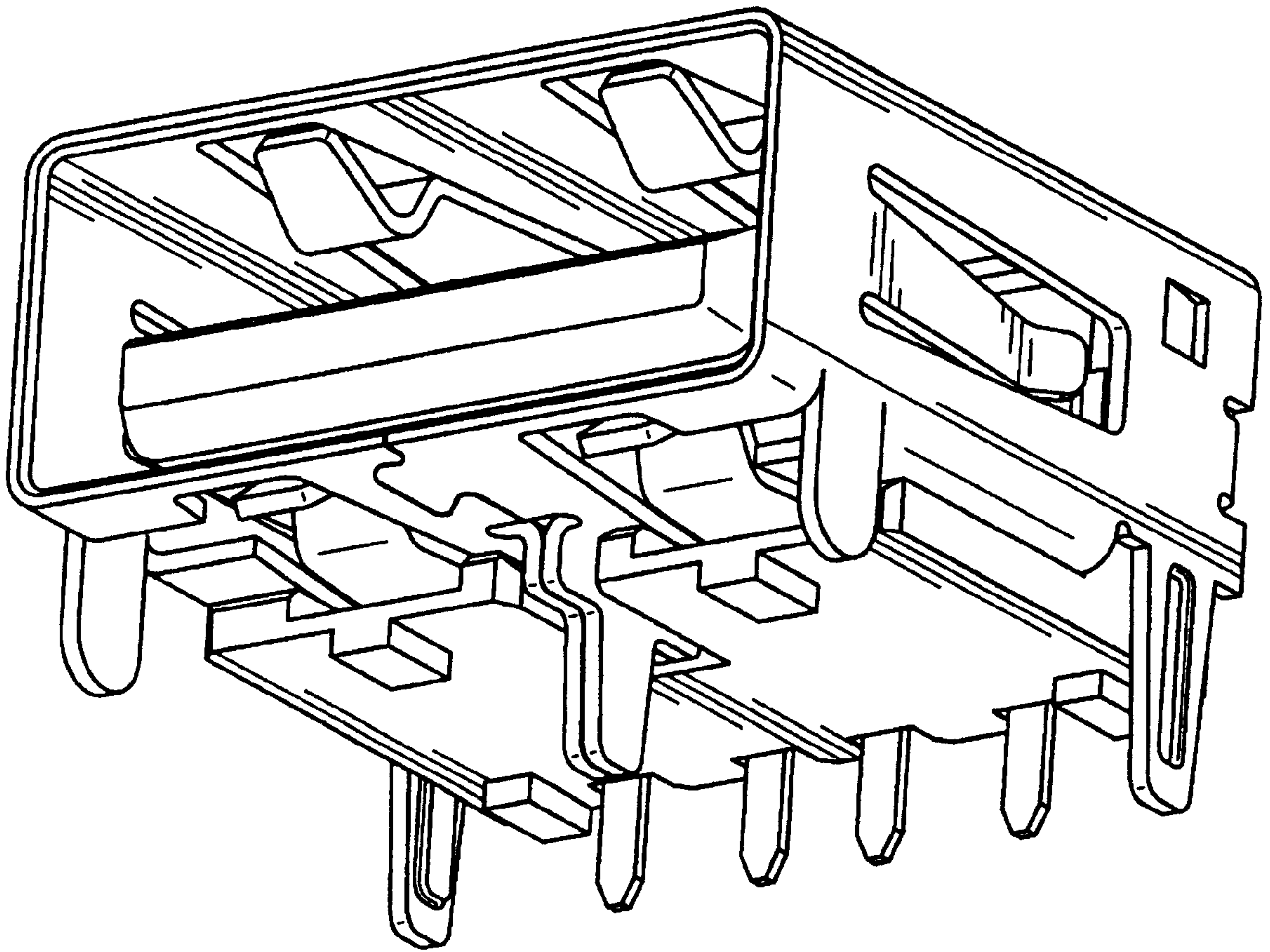


FIG. 1

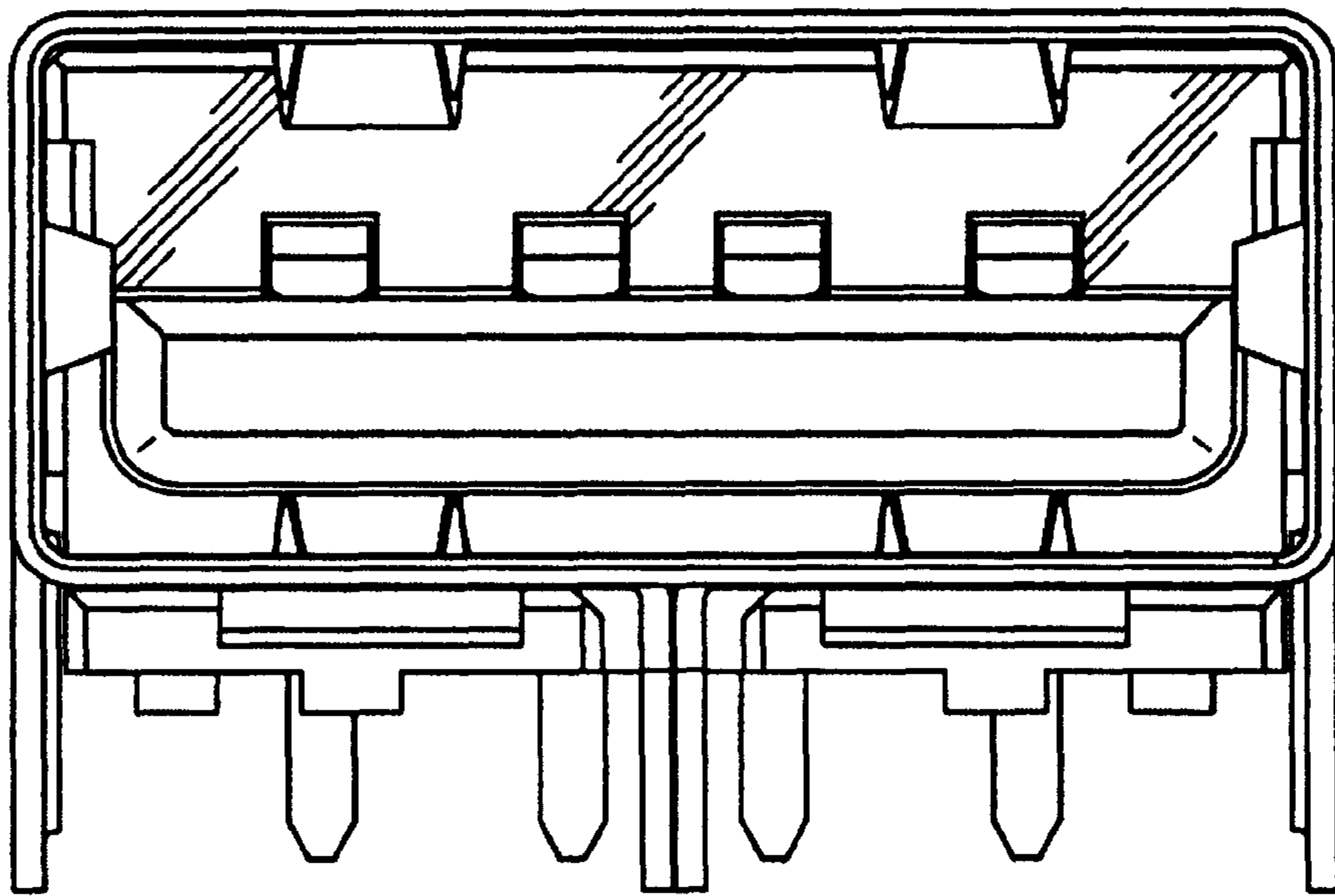


FIG. 2

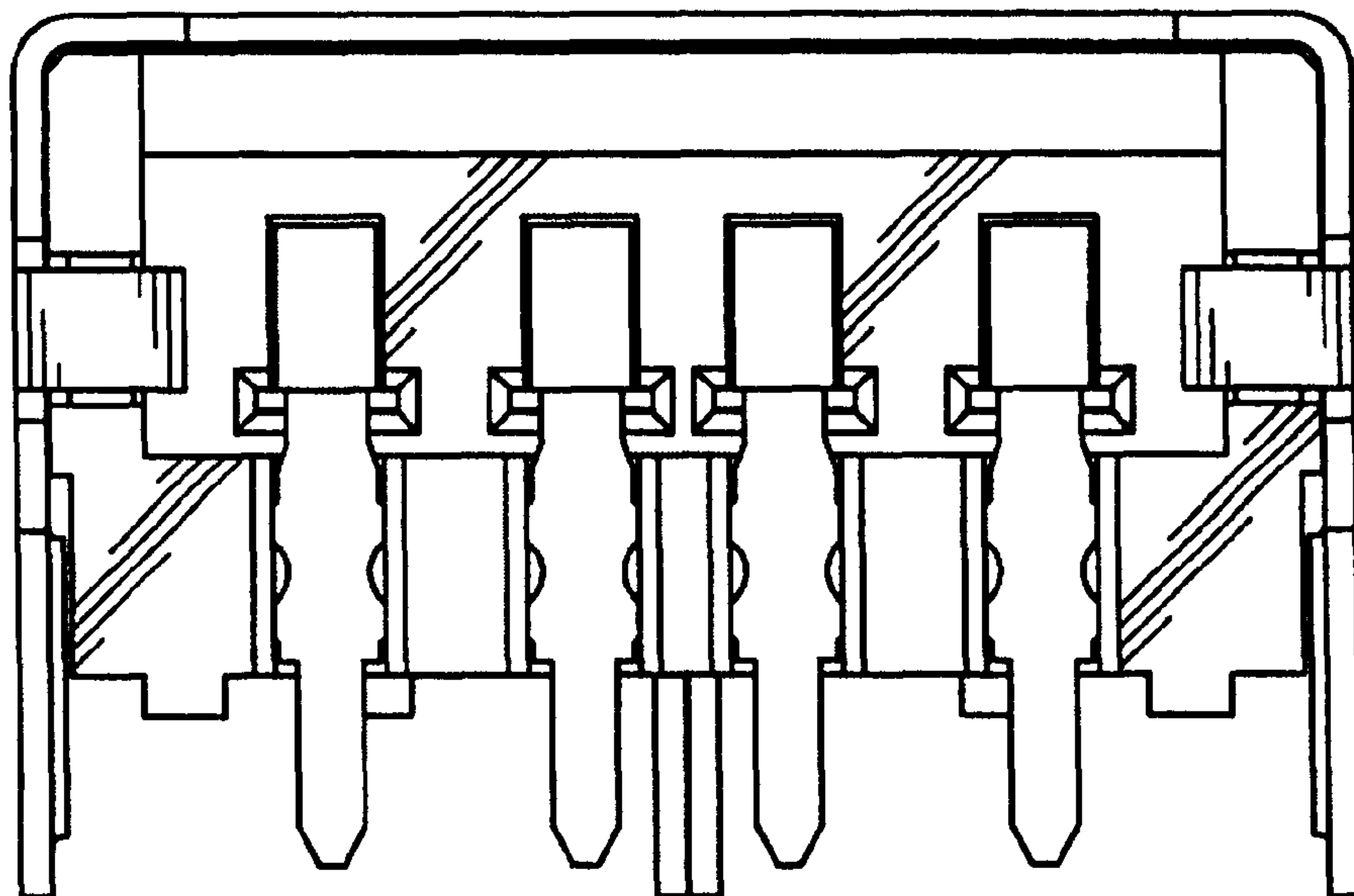


FIG. 3

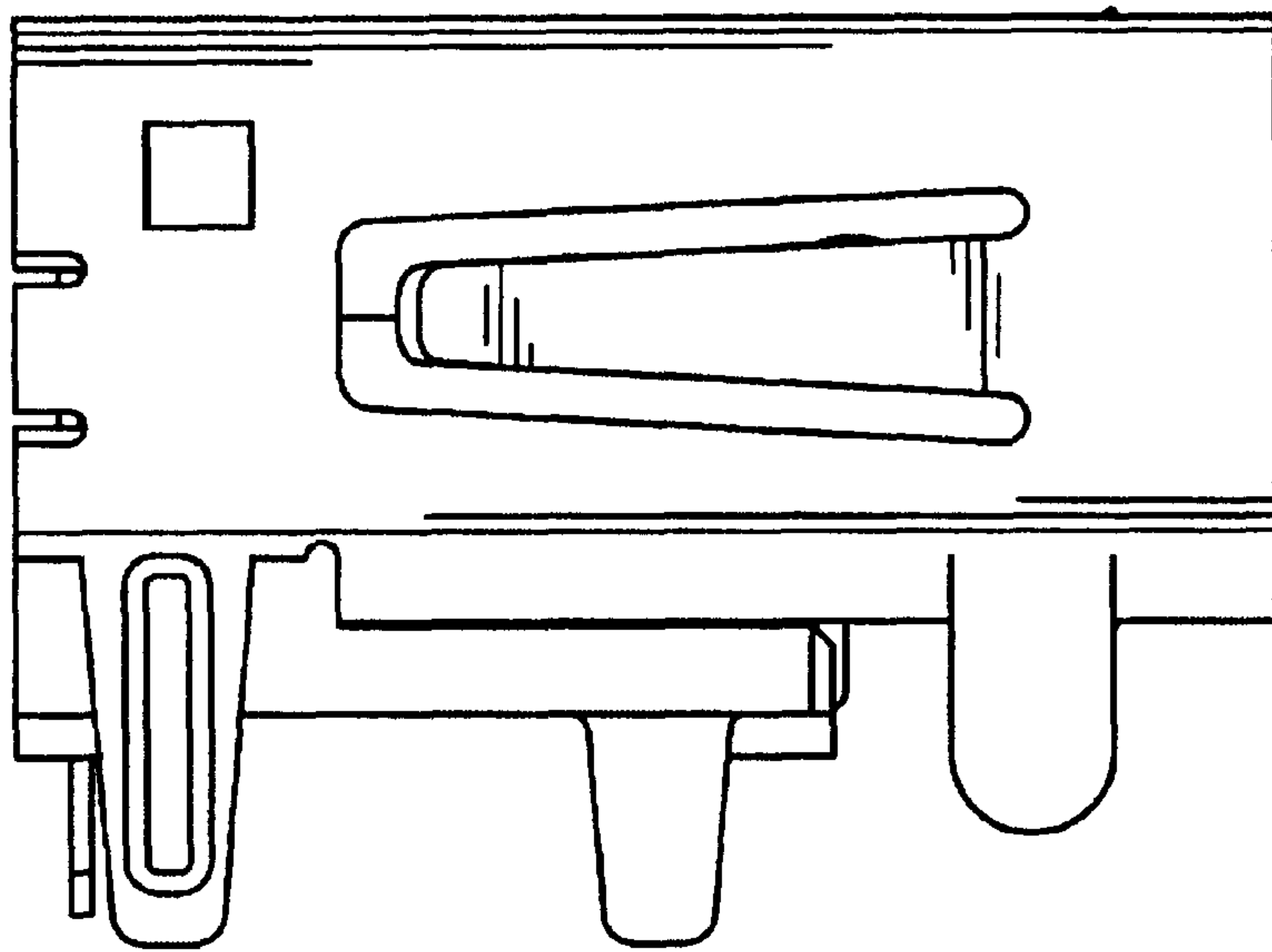


FIG. 4

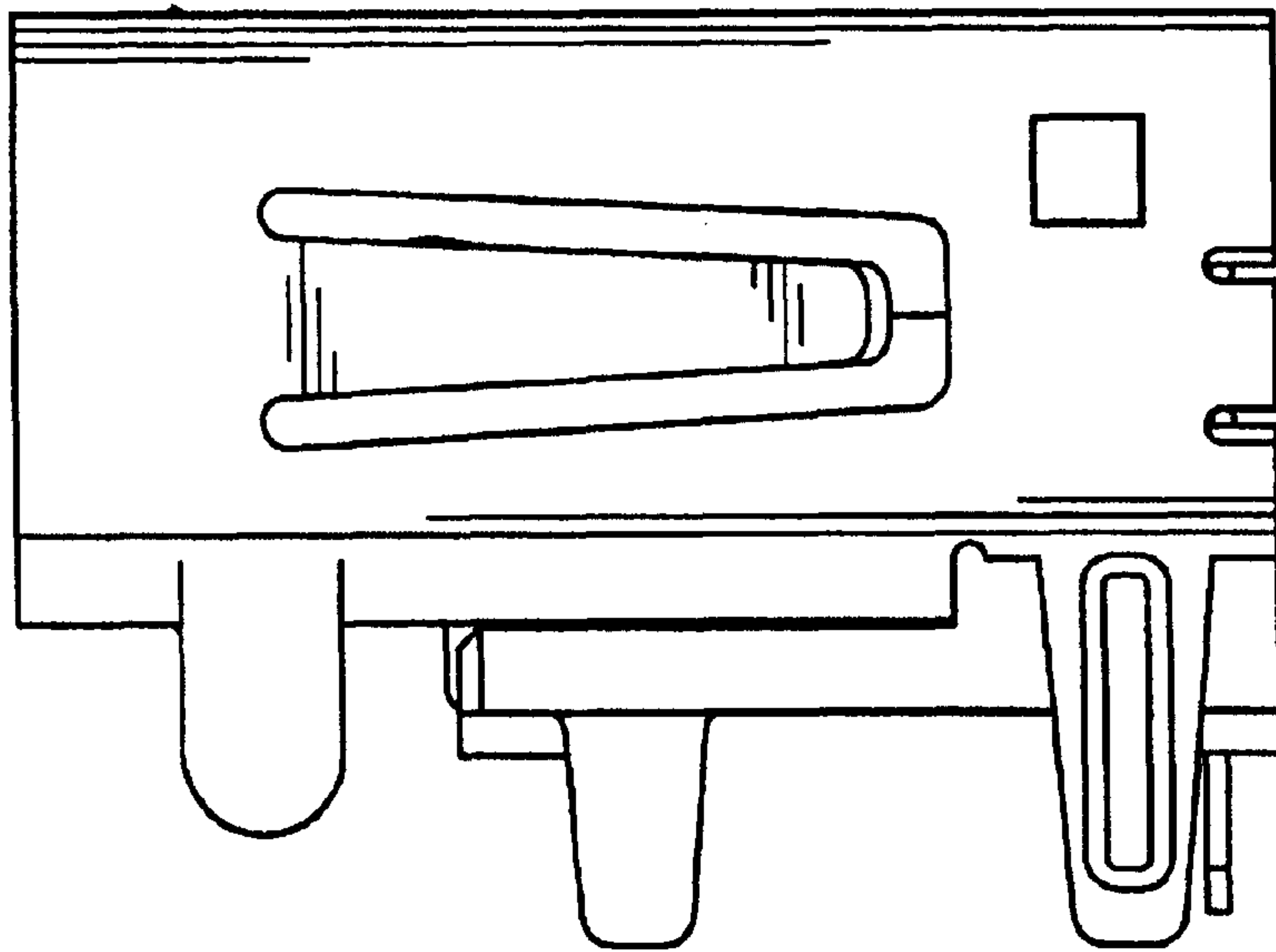


FIG. 5

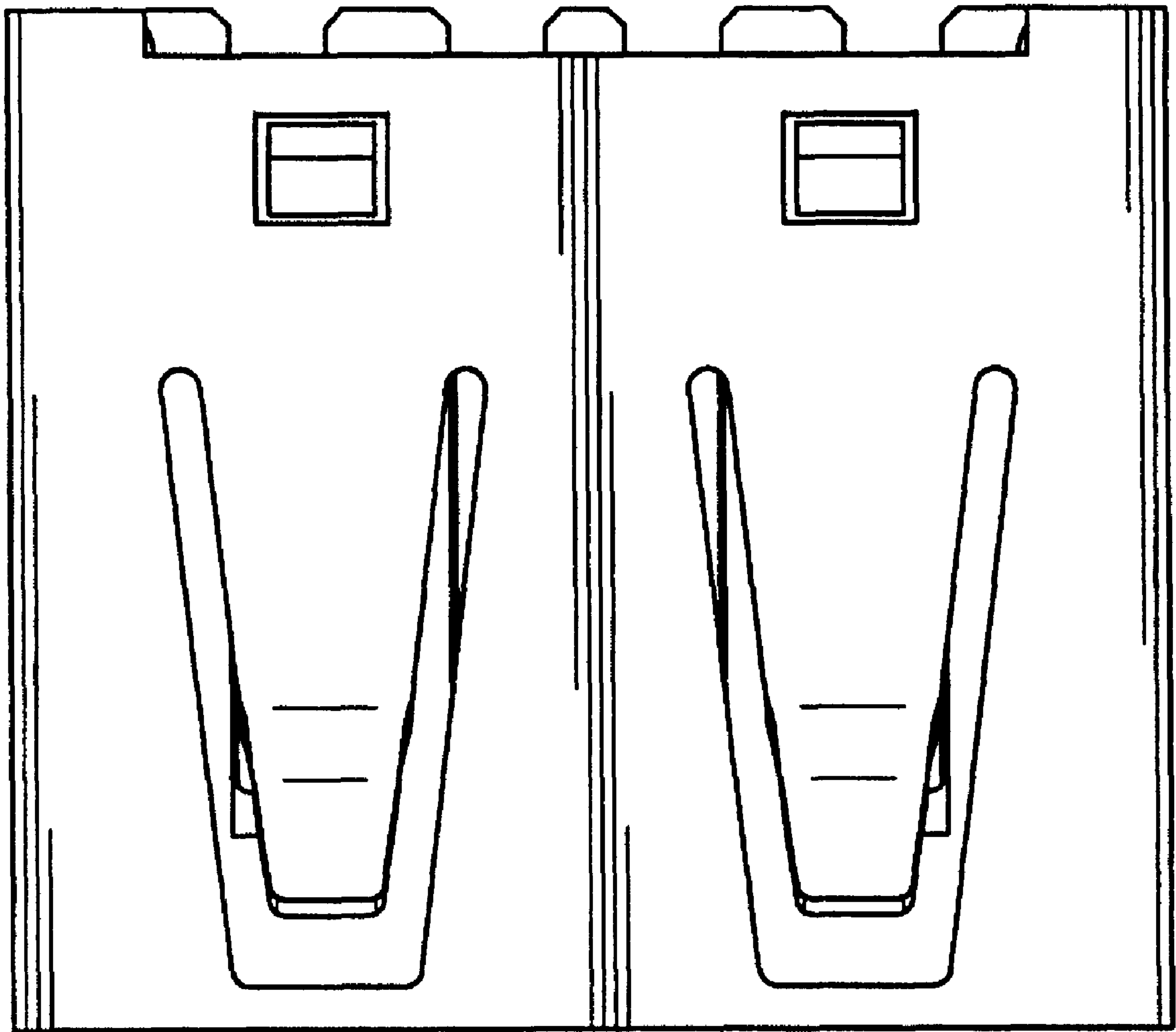


FIG. 6



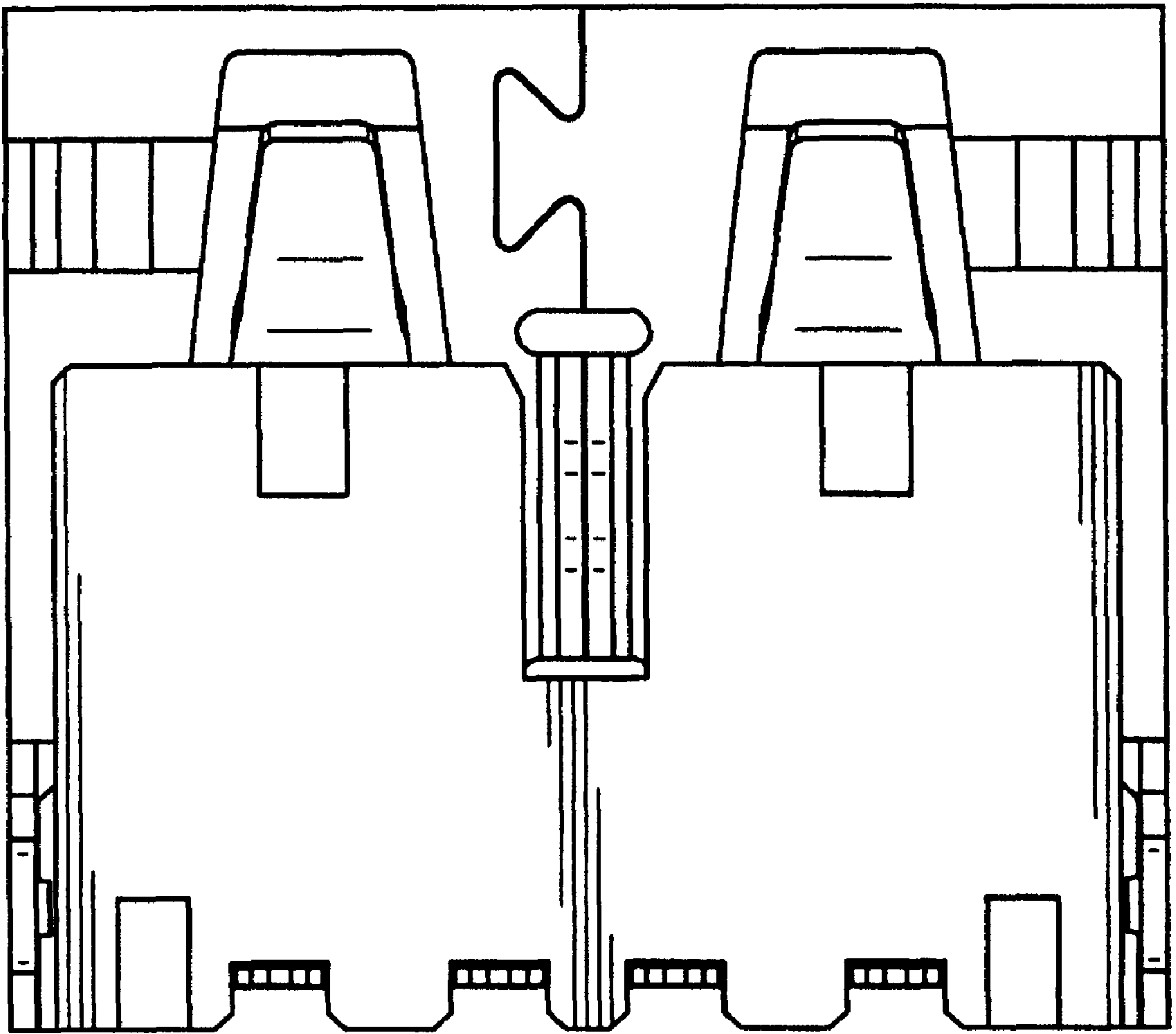


FIG. 7