



US00D465766S

(12) **United States Design Patent**
Lee et al.

(10) **Patent No.:** **US D465,766 S**

(45) **Date of Patent:** **** Nov. 19, 2002**

(54) **ELECTRICAL CONNECTOR**

(75) Inventors: **George Lee**, Cypress, CA (US); **Eric Juntwait**, Cypress, CA (US)

(73) Assignee: **Hon Hai Precision Ind. Co., Ltd.**, Taipei Hsien (TW)

(**) Term: **14 Years**

(21) Appl. No.: **29/148,825**

(22) Filed: **Sep. 26, 2001**

(51) **LOC (7) Cl.** **13-03**

(52) **U.S. Cl.** **D13/147**

(58) **Field of Search** D13/147; 439/347, 439/352, 353, 571, 660, 682

(56) **References Cited**

U.S. PATENT DOCUMENTS

D216,888 S	*	3/1970	Kunkle	D13/147
4,462,654 A	*	7/1984	Aiello	439/347
4,820,180 A	*	4/1989	Mosquera et al.	439/248
4,832,625 A	*	5/1989	Puerner	439/681
4,915,650 A	*	4/1990	Daly et al.	439/498

5,059,142 A	*	10/1991	Ohta et al.	439/752
D324,031 S	*	2/1992	Lambert, II et al.	D13/147
D331,739 S	*	12/1992	Sato et al.	D13/147
6,146,179 A	*	11/2000	Denny et al.	439/352
6,244,887 B1	*	6/2001	Commerci et al.	439/660 X
6,350,159 B1	*	2/2002	Wu	439/680

* cited by examiner

Primary Examiner—Joel Sincavage

(74) *Attorney, Agent, or Firm*—Wei Te Chung

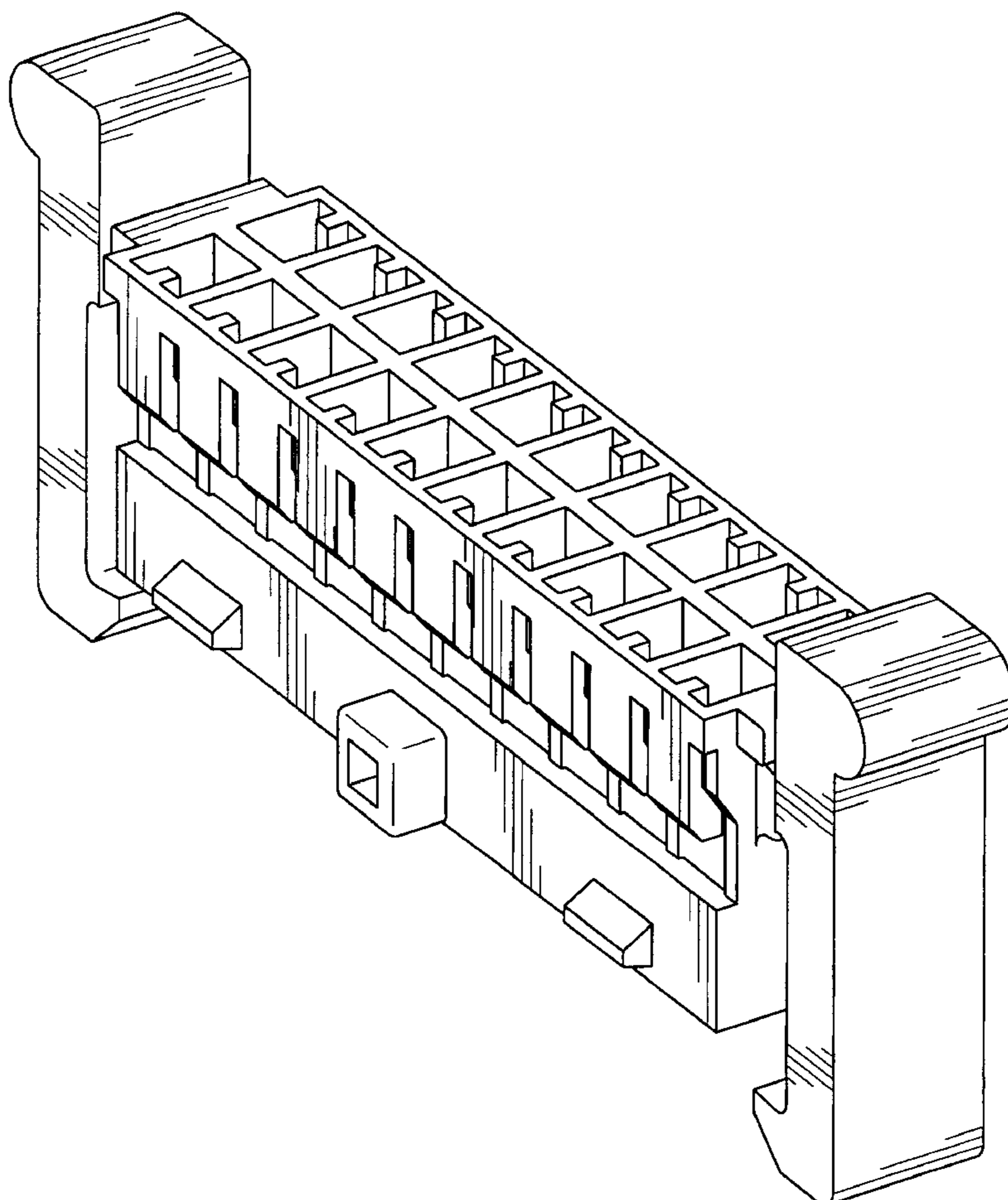
(57) **CLAIM**

The ornamental design for an electrical connector, as shown.

DESCRIPTION

FIG. 1 is a front, top and right side perspective view of an electrical connector showing our new design; FIG. 2 is a front elevational view thereof; FIG. 3 is a rear elevational view thereof; FIG. 4 is a left side elevational view thereof; FIG. 5 is a right side elevational view thereof; FIG. 6 is a top plan view thereof; and, FIG. 7 is a bottom plan view thereof.

1 Claim, 5 Drawing Sheets



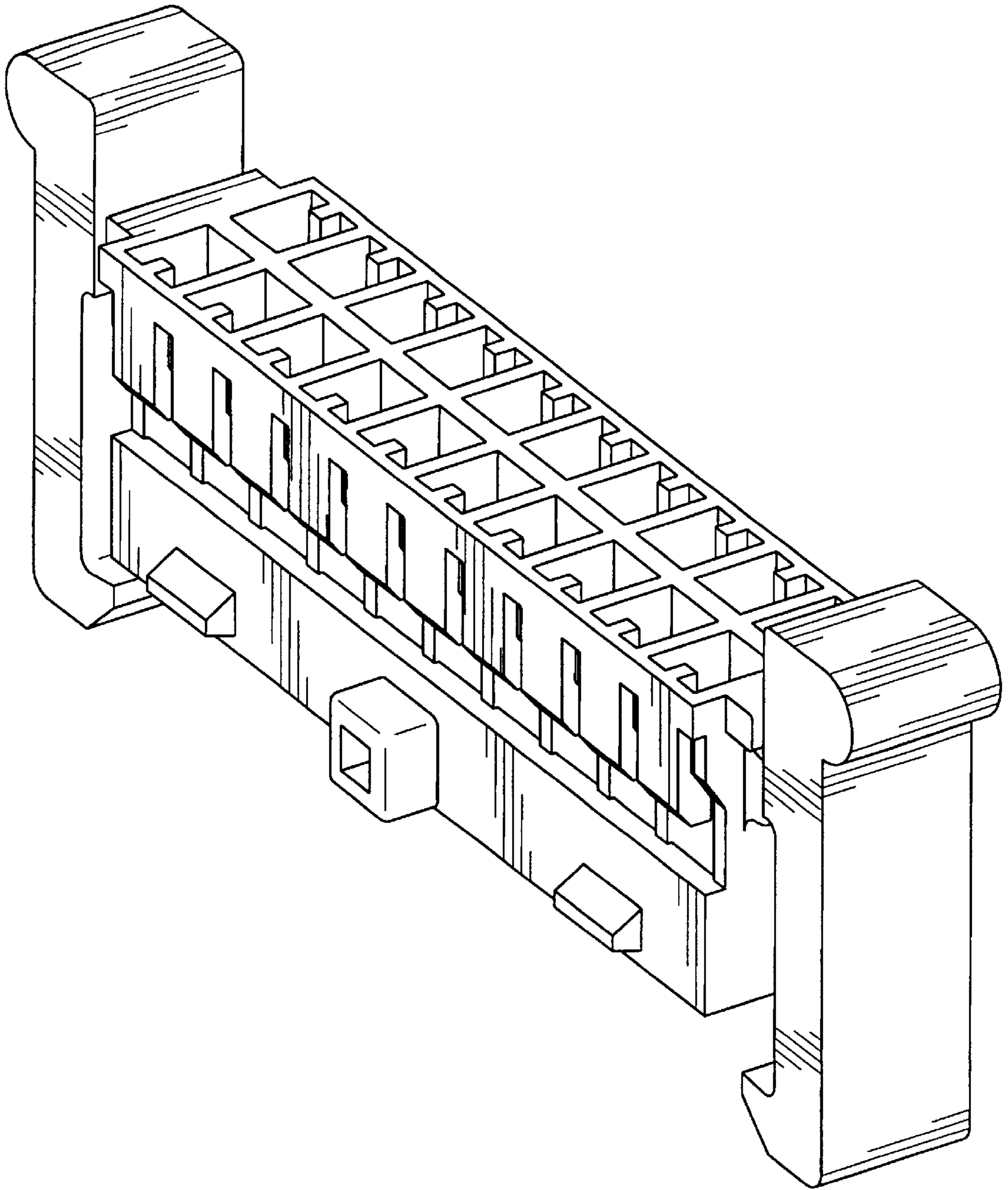


FIG. 1

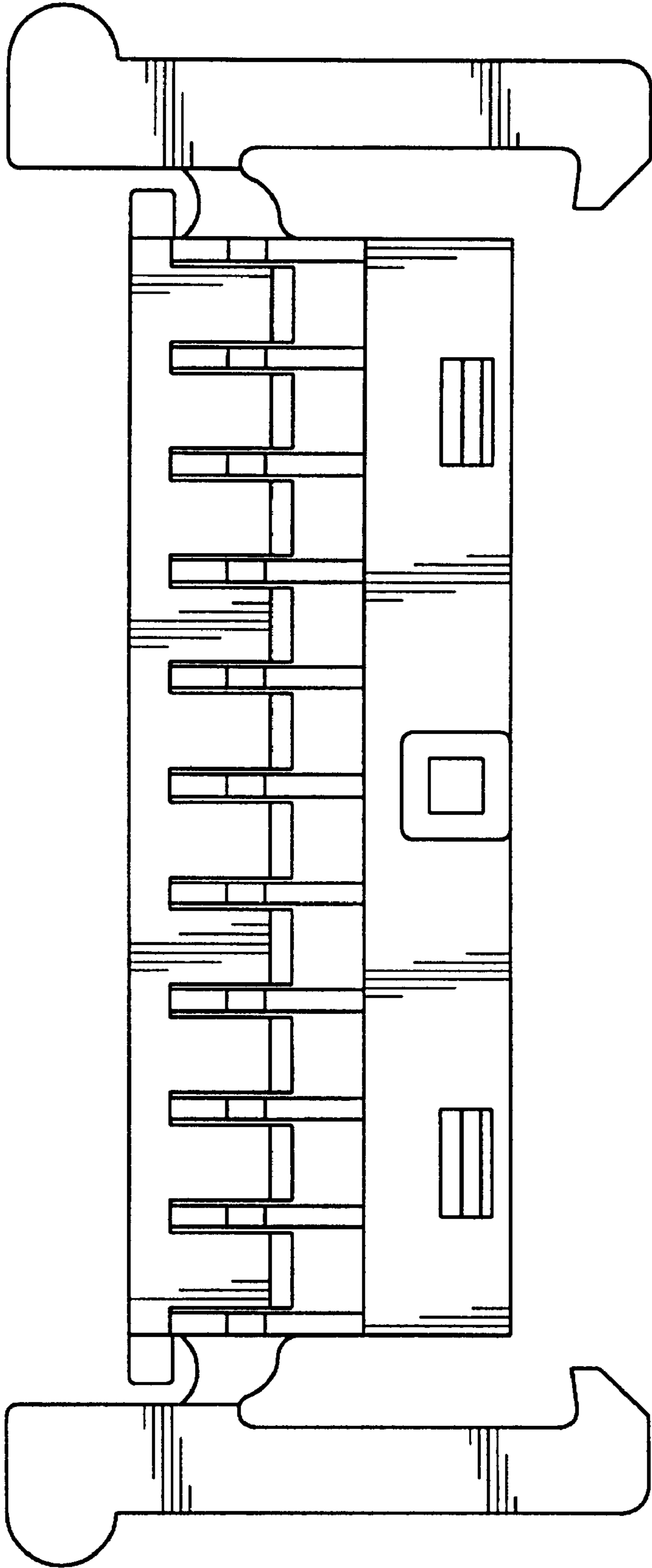


FIG. 2

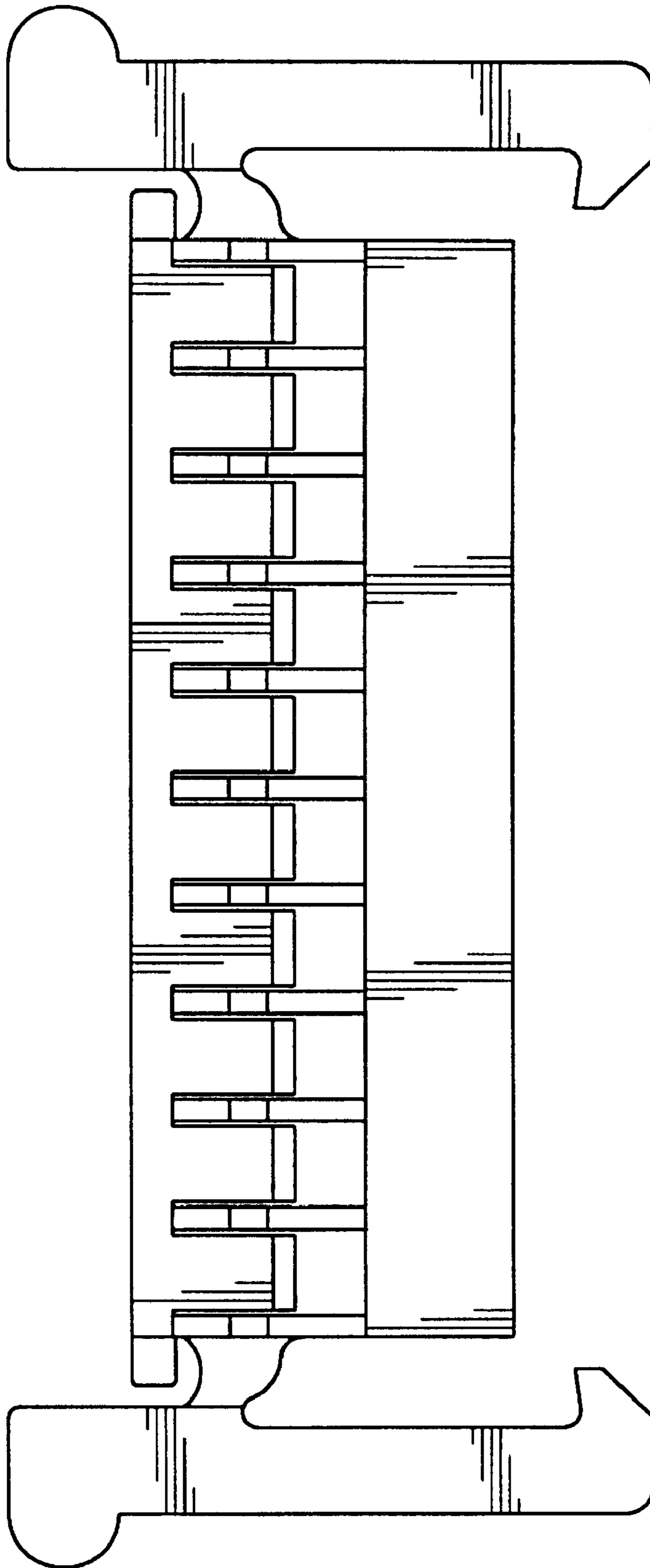


FIG. 3

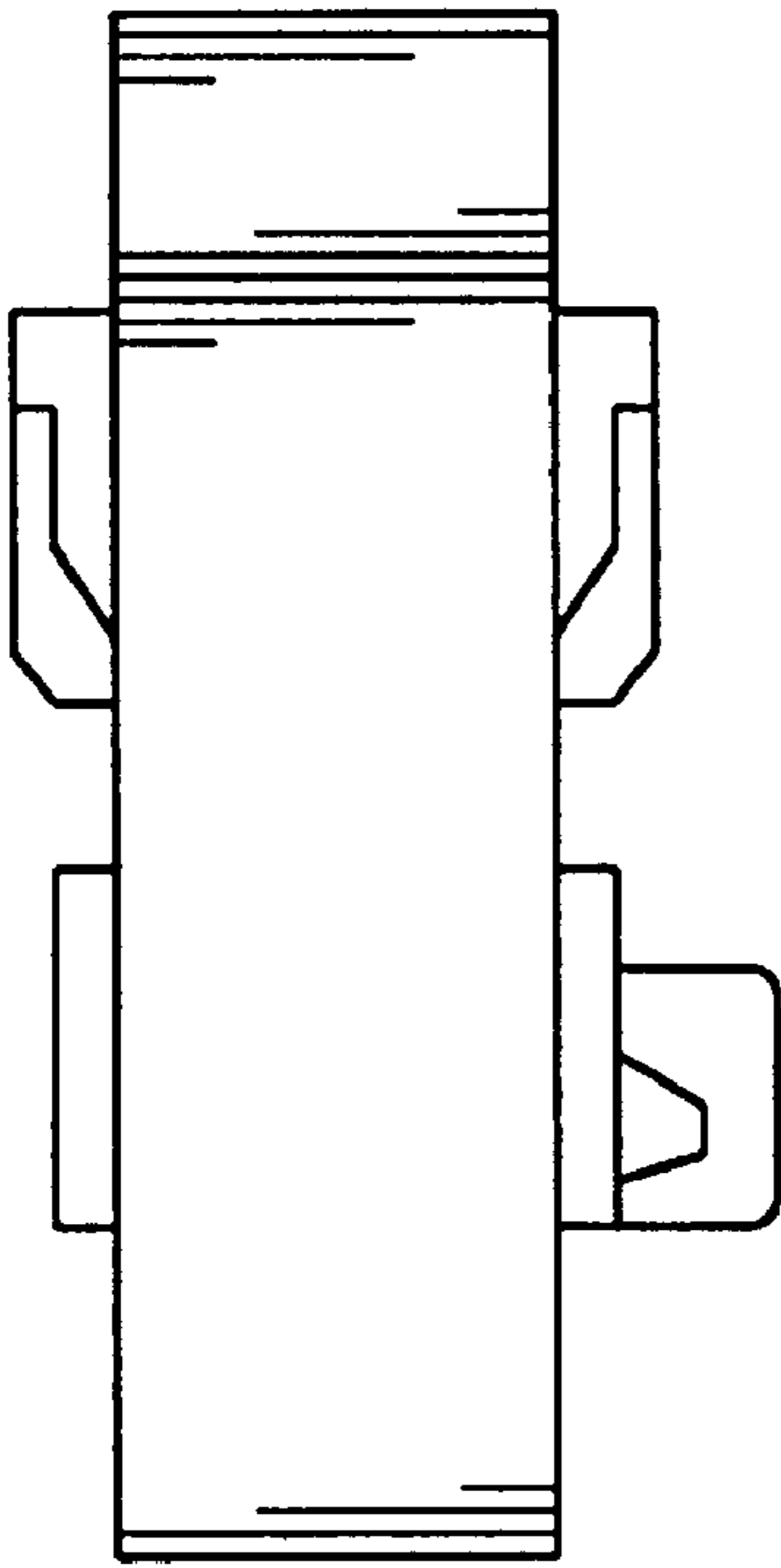


FIG. 4

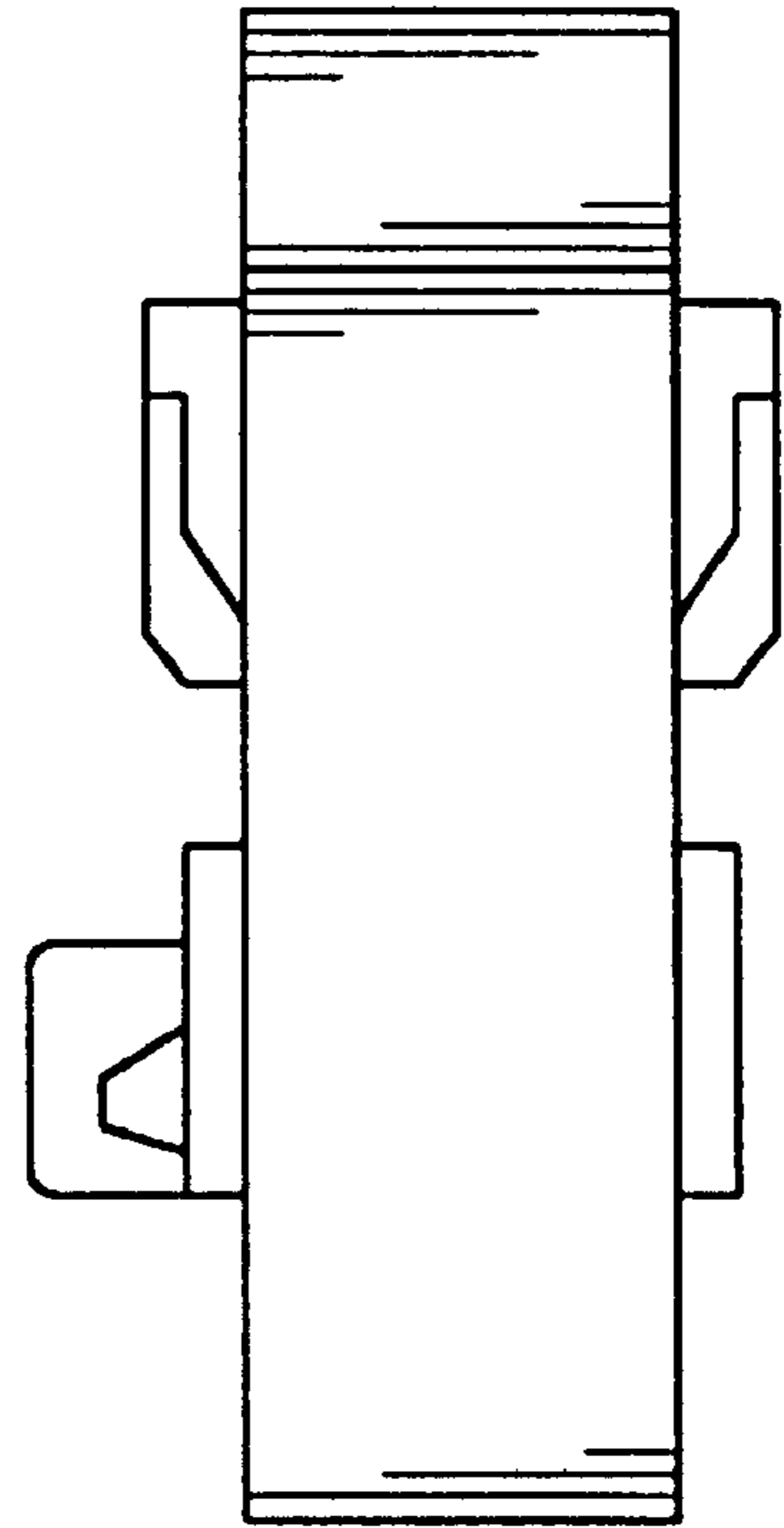


FIG. 5

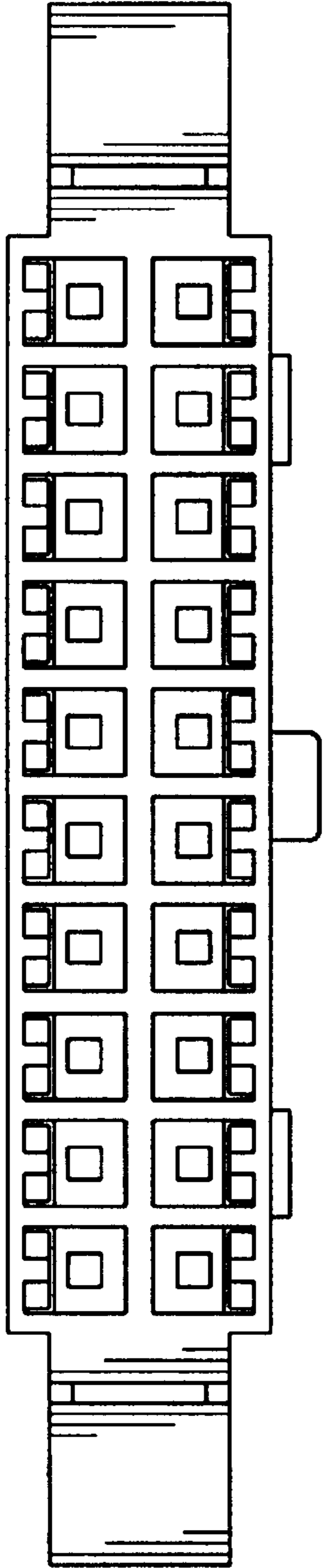


FIG. 6

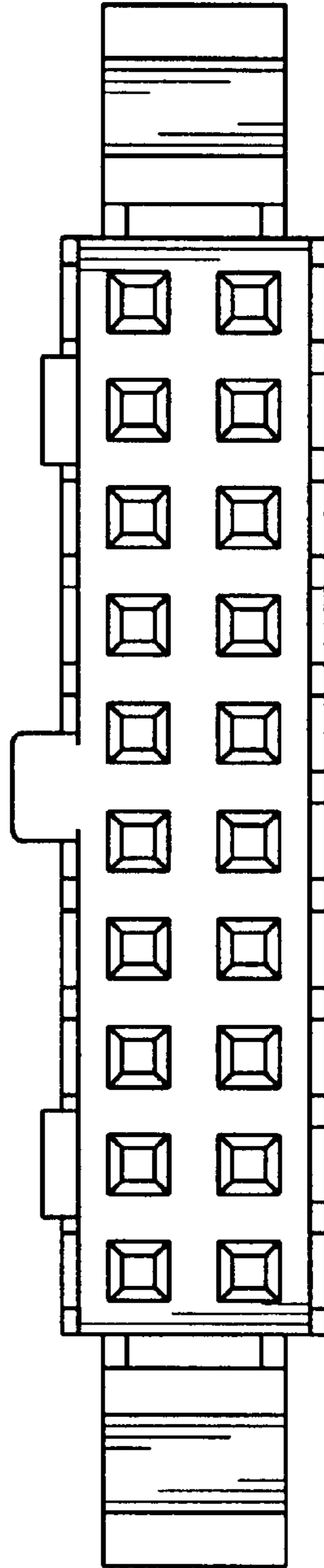


FIG. 7