



US00D465764S

(12) **United States Design Patent**  
**Salazar et al.**

(10) **Patent No.:** **US D465,764 S**

(45) **Date of Patent:** **\*\* Nov. 19, 2002**

(54) **CHARGER**

(75) Inventors: **Eduardo Salazar**, Woodland Hills, CA (US); **Edward D. Mitchell**, Thousand Oaks, CA (US); **Sheldon Phillips**, Thousand Oaks, CA (US); **Frank Nuovo**, Los Angeles, CA (US)

(73) Assignee: **Vertu Ltd.**, London (GB)

(\*\*) Term: **14 Years**

(21) Appl. No.: **29/154,359**

(22) Filed: **Jan. 21, 2002**

(51) **LOC (7) Cl.** ..... **13-02**

(52) **U.S. Cl.** ..... **D13/107**

(58) **Field of Search** ..... **D13/107, 108, D13/110; 320/110-115**

(56)

**References Cited**

**U.S. PATENT DOCUMENTS**

D247,619 S \* 3/1978 Edgell et al. .... D13/107 X  
5,744,934 A \* 4/1998 Wu ..... 320/111  
6,320,353 B1 \* 11/2001 Chiu et al. .... 320/111  
D456,008 S \* 4/2002 Kawanobe et al. .... D13/110

\* cited by examiner

*Primary Examiner*—Joel Sincavage

(57)

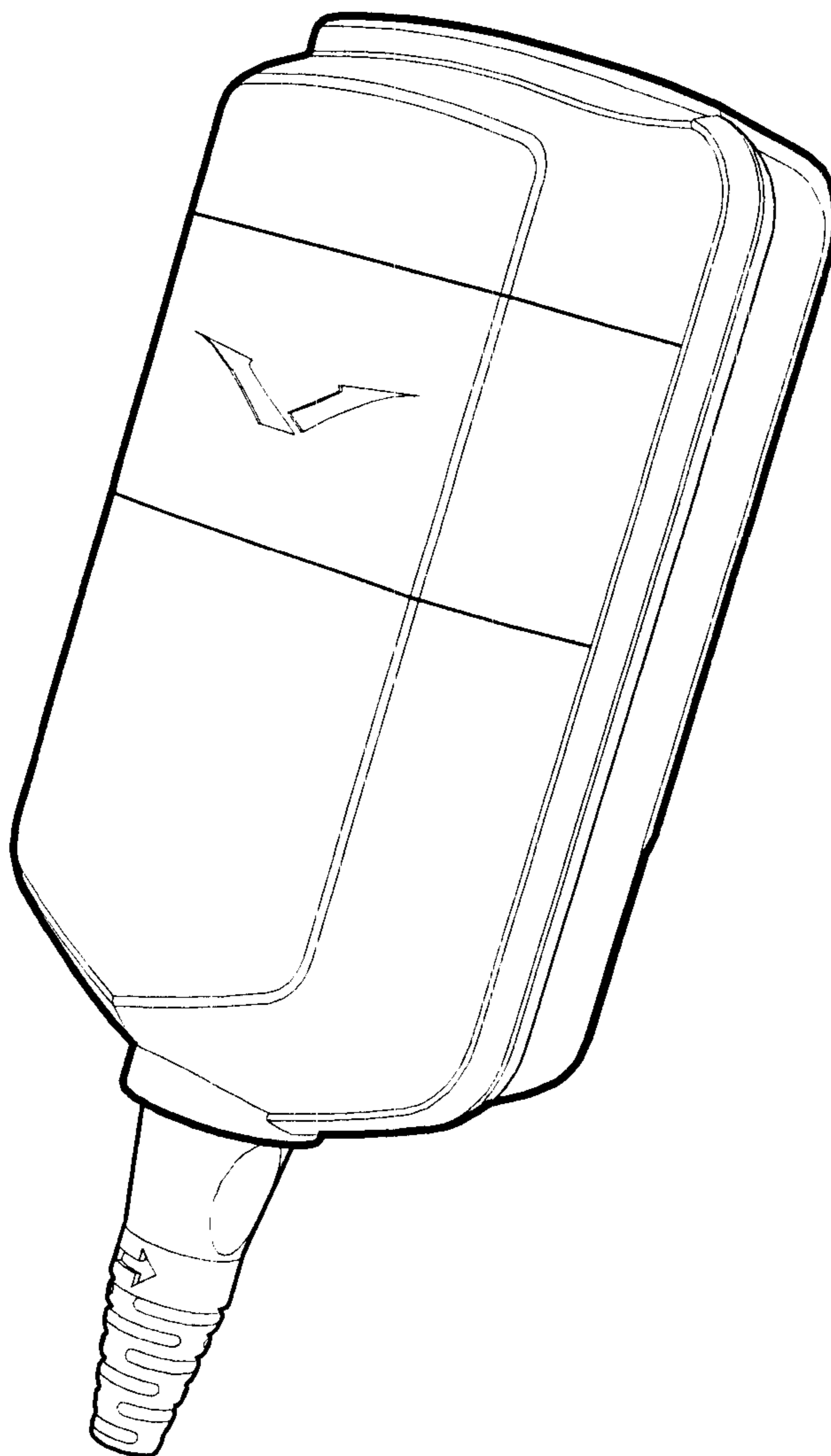
**CLAIM**

We claim the ornamental design for a charger, as shown.

**DESCRIPTION**

FIG. 1 is a perspective top view of the charger;  
FIG. 2 is a perspective bottom thereof; and,  
FIG. 3 is a top view thereof.

**1 Claim, 3 Drawing Sheets**



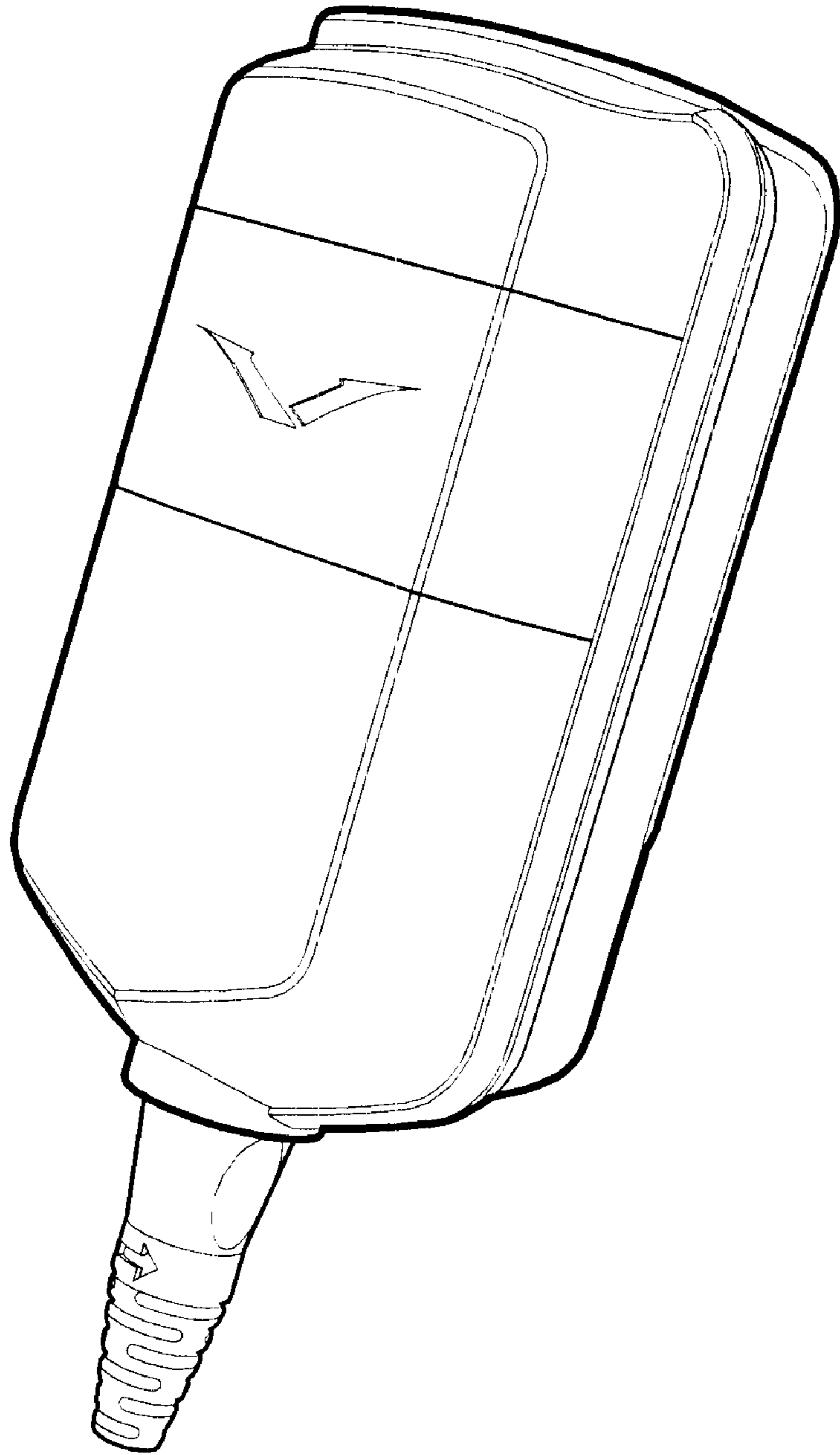


Fig. 1

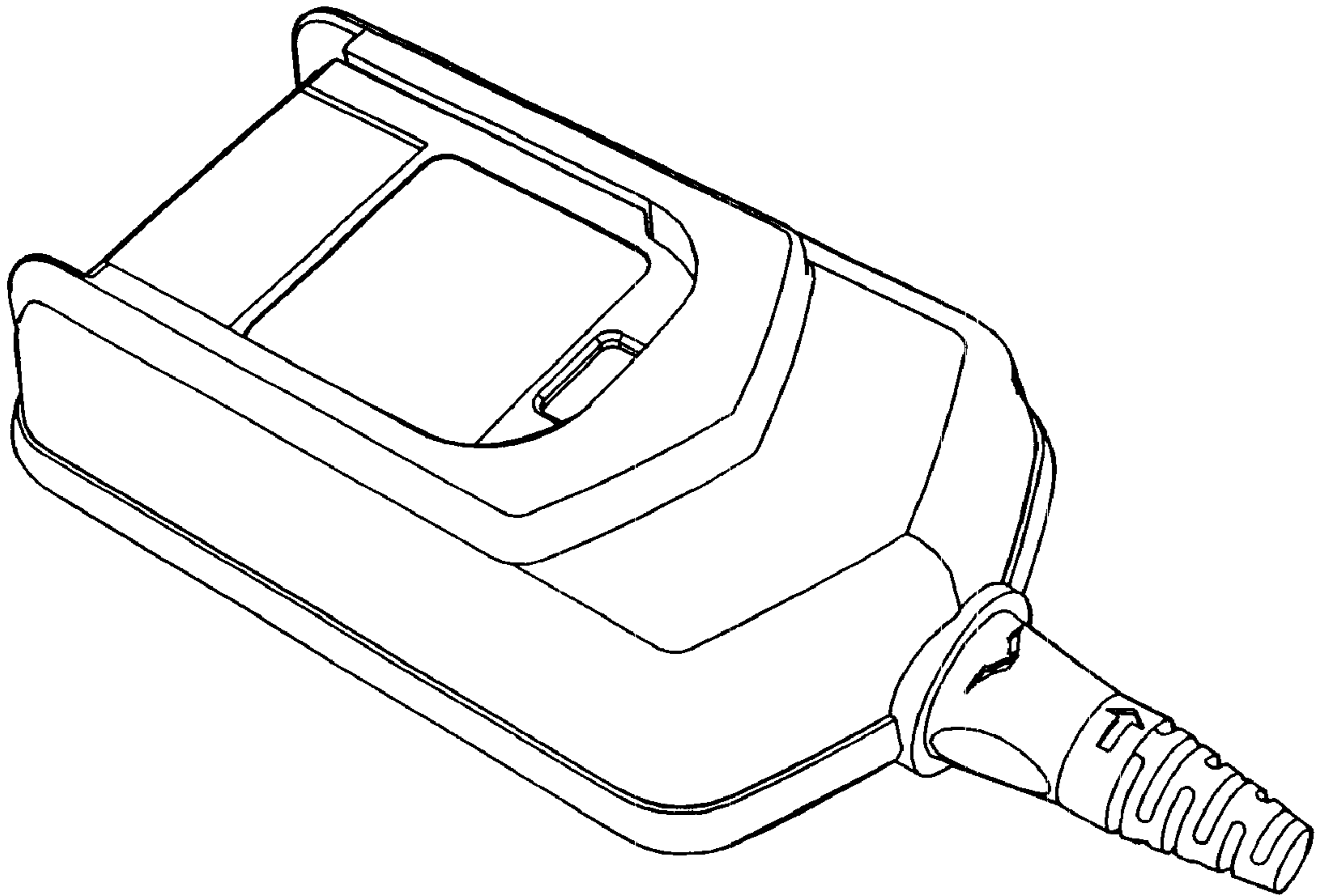


Fig. 2

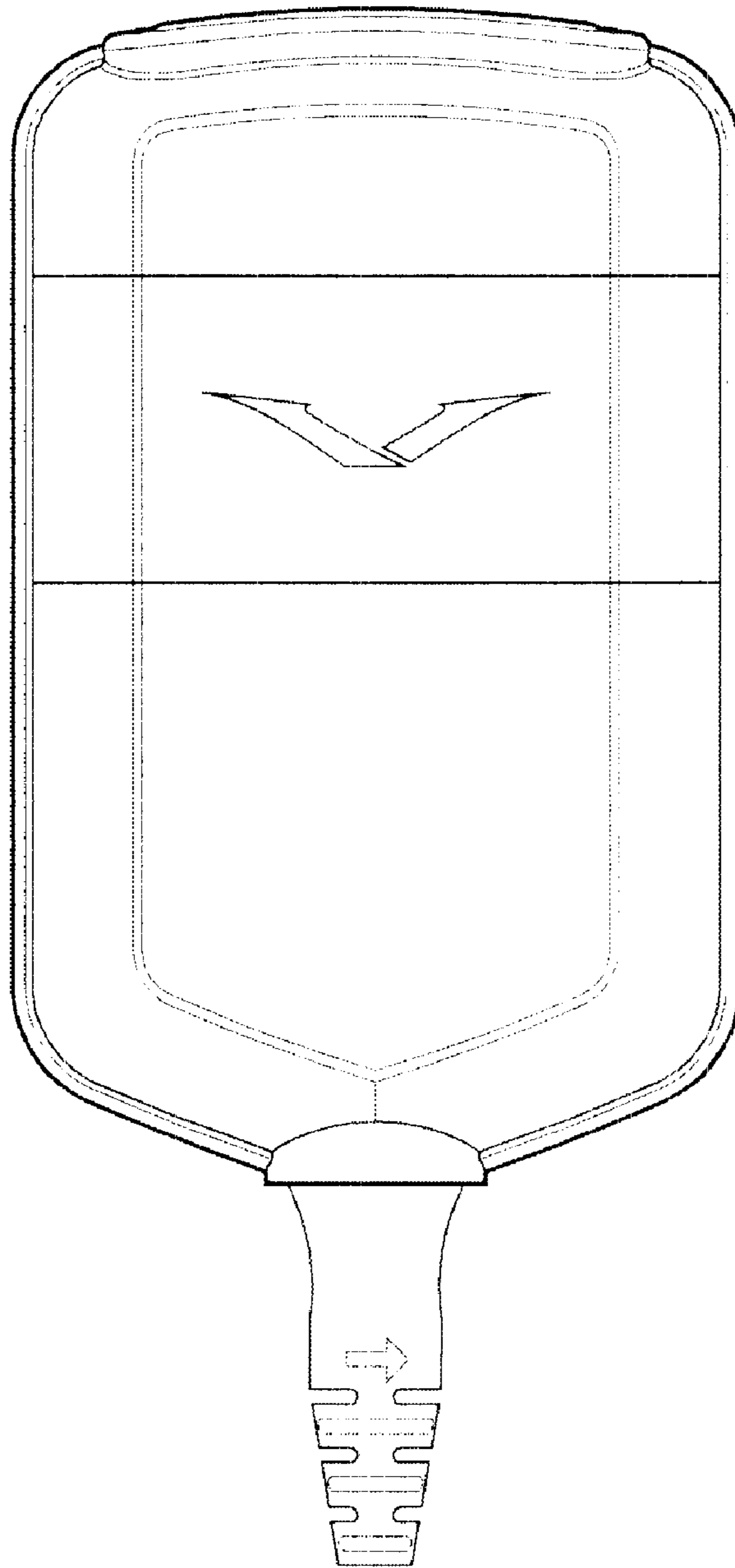


Fig. 3