



US00D465762S

(12) **United States Design Patent**
Wargin et al.

(10) **Patent No.:** **US D465,762 S**

(45) **Date of Patent:** **** Nov. 19, 2002**

(54) **MOTORCYCLE SADDLEBAG**

(75) Inventors: **Thomas R. Wargin**, Menomonee Falls, WI (US); **Kirk Rasmussen**, Wales, WI (US)

(73) Assignee: **Harley-Davidson Motor Company Group, Inc.**, Milwaukee, WI (US)

(**) Term: **14 Years**

(21) Appl. No.: **29/144,850**

(22) Filed: **Jul. 11, 2001**

(51) **LOC (7) Cl.** **12-16**

(52) **U.S. Cl.** **D12/410**

(58) **Field of Search** D12/110, 407-410;
D3/273, 276, 281, 282; 180/219; 190/124-126;
224/400-425, 428-435

(56) **References Cited**

U.S. PATENT DOCUMENTS

D426,174 S * 6/2000 Sofue et al. D12/110

OTHER PUBLICATIONS

Sportster Hard Saddlebags, Harley-Davidson 2001 Genuine Motor Accessories and Genuine Motor Parts Catalog, Jun. '00, p. 118.

Dyna Hard Saddlebags, Harley-Davidson 2001 Genuine Motor Accessories and Genuine Motor Parts Catalog, Jun. '00, p. 188.

Heritage Softail Classic Hard Saddlebags, Harley-Davidson '01 Gen. Motor Access. & Gen. Motor Parts Catlg, Jun. '00, p. 292.

Softail Hard Saddlebags, Harley-Davidson 2001 Genuine Motor Accessories and Genuine Motor Parts Catalog, Jun. '00, p. 292.

Softail Deuce Hard Saddlebags, Harley-Davidson '01 Genuine Motor Access. & Genuine Motor Parts Catalog, Jun. '00, p. 293.

Saddlebags Liners for Softail Hard Saddlebags, Harley-Davidson '01 Gen. Motor Access. & Gen. Motor Parts Catalog, Jun. '00, p. 294.

* cited by examiner

Primary Examiner—Alan P. Douglas

Assistant Examiner—Linda Brooks

(74) *Attorney, Agent, or Firm*—Michael Best & Friedrich LLP

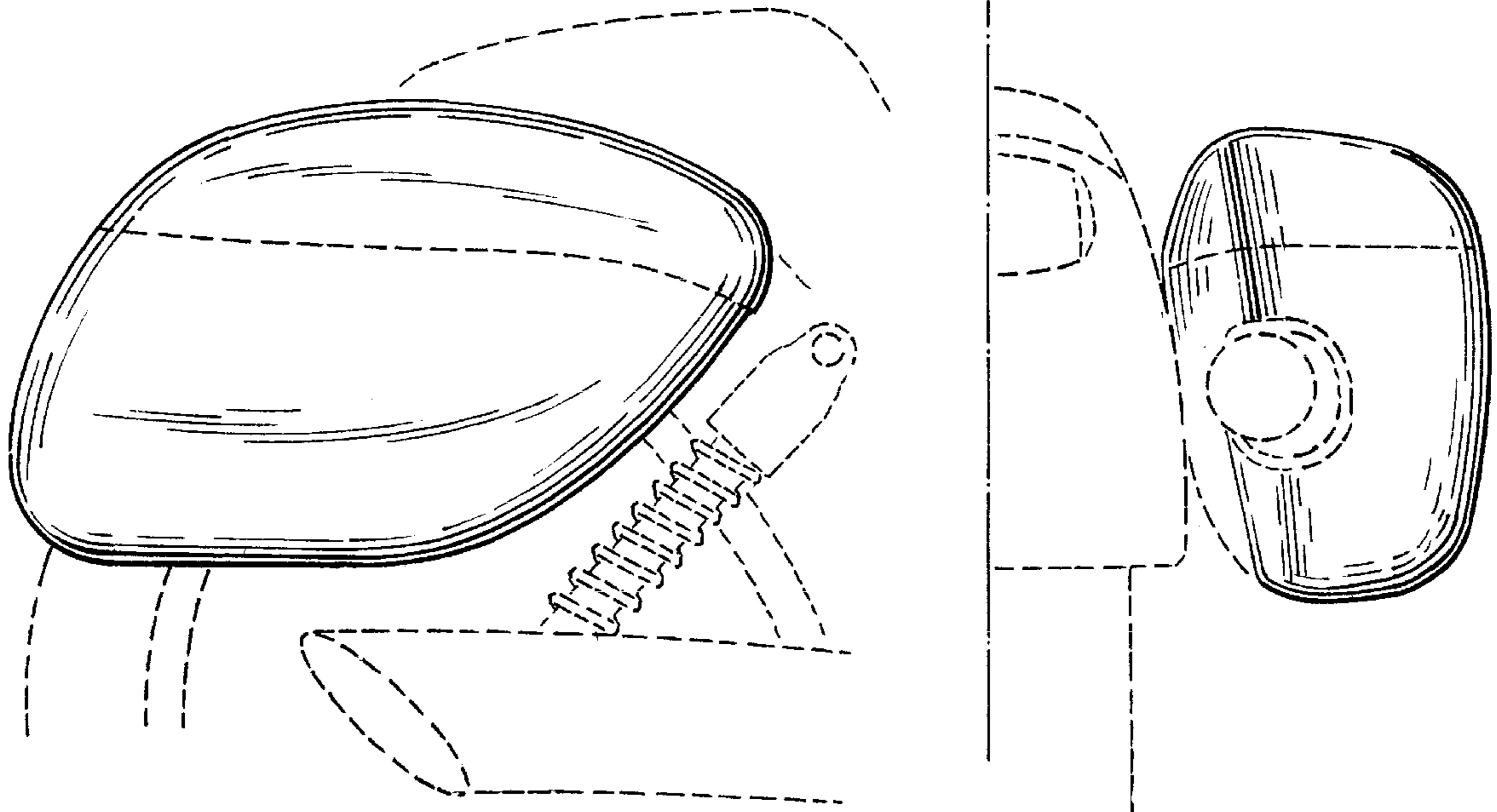
(57) **CLAIM**

We claim the ornamental design for a motorcycle saddlebag, as shown and described.

DESCRIPTION

FIG. 1 is a side view of the motorcycle saddlebag FIG. 2 is a rear view of the design shown in FIG. 1; and, FIG. 3 is a top view of the design shown in FIG. 1. The broken line showing of the environment is for illustrative purposes only and forms no part of the claimed design. The broken lines which define the boundaries of the claimed design form no part thereof.

1 Claim, 2 Drawing Sheets



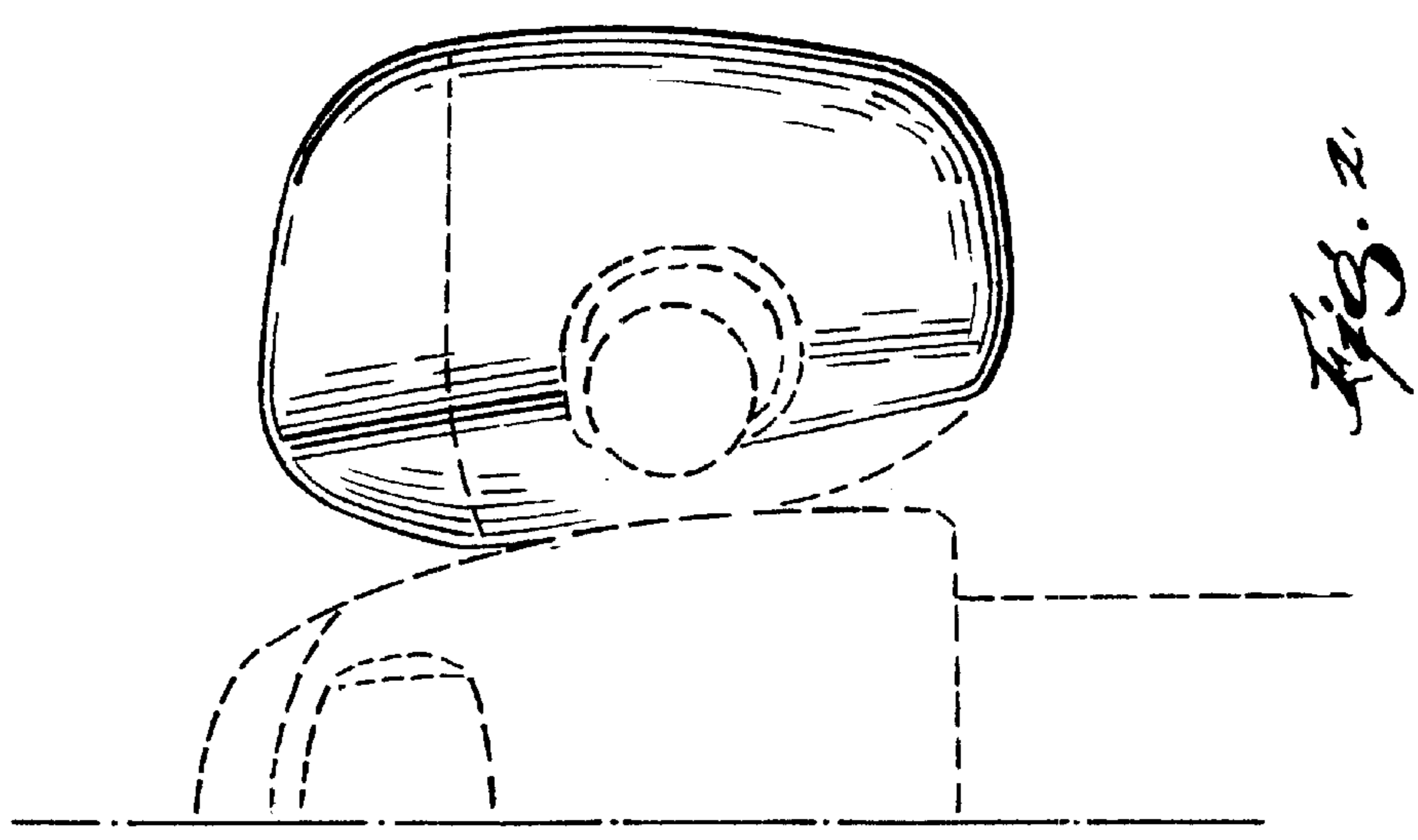
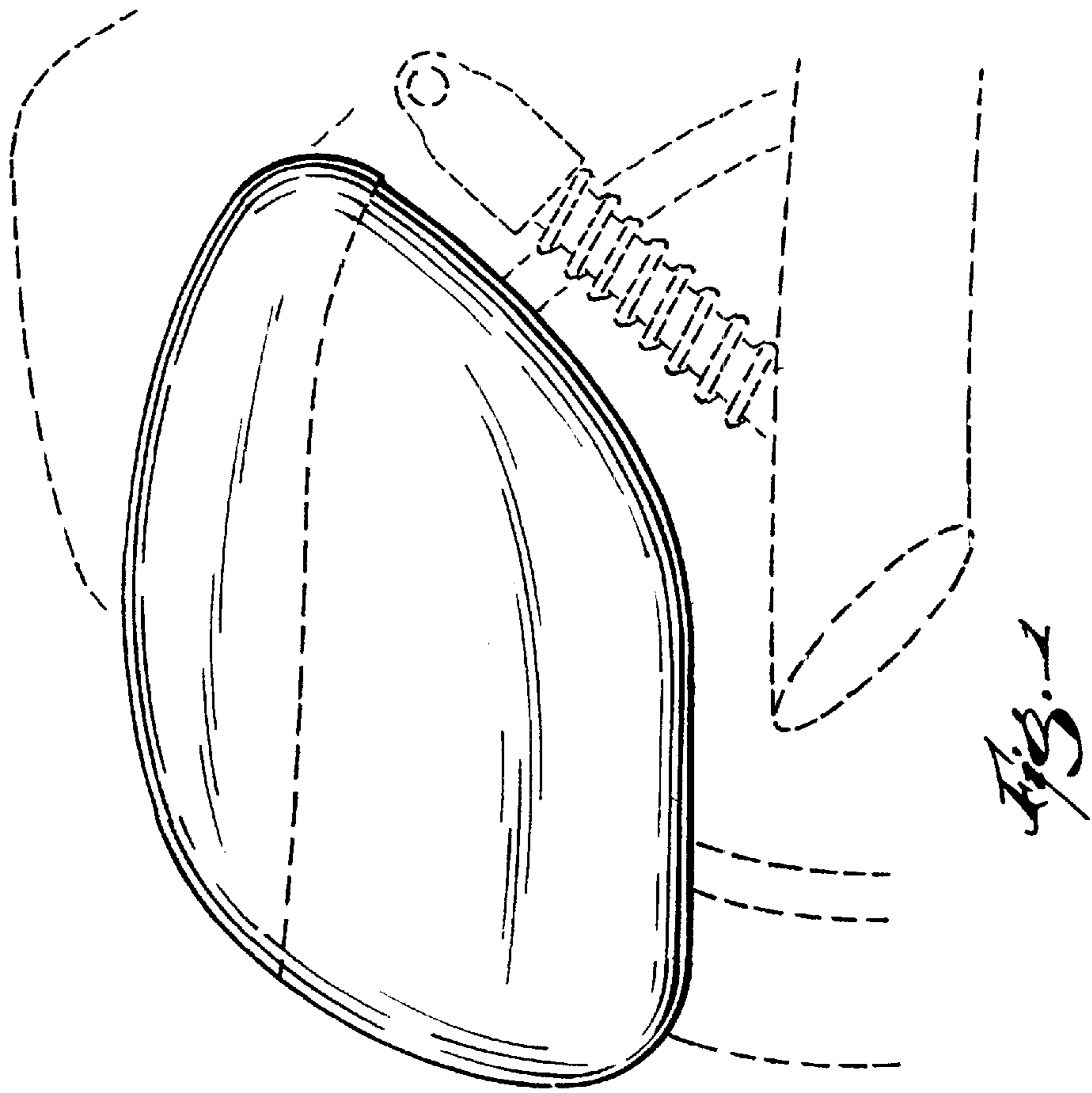


Fig. 3

