



US00D465761S

(12) **United States Design Patent**
Peterson

(10) **Patent No.:** **US D465,761 S**

(45) **Date of Patent:** **** Nov. 19, 2002**

(54) **FISHING RAFT (WITH NET TABLE)**

D437,283 S * 2/2001 Peterson D12/316

(75) Inventor: **Leroy L. Peterson**, Omaha, NE (US)

* cited by examiner

(73) Assignee: **Sportsstuff, Inc.**, Omaha, NE (US)

Primary Examiner—Lisa Lichtenstein

(**) Term: **14 Years**

(74) *Attorney, Agent, or Firm*—Henderson & Sturm LLP

(21) Appl. No.: **29/155,702**

(57) **CLAIM**

(22) Filed: **Feb. 14, 2002**

The ornamental design for a fishing raft (with net table), as shown and described.

(51) **LOC (7) Cl.** **12-06**

(52) **U.S. Cl.** **D12/316**

(58) **Field of Search** D12/300–316;
D21/801–811; 441/129–132, 88–101, 66;
297/452.41; 114/345

DESCRIPTION

(56) **References Cited**

U.S. PATENT DOCUMENTS

D299,941 S * 2/1989 Chang D12/316

D428,099 S * 7/2000 Peterson D21/801

D435,240 S * 12/2000 Peterson D12/316

FIG. 1 is a perspective view of the fishing raft with net table showing my new design;

FIG. 2 is a top plan view thereof;

FIG. 3 is a left side elevational view thereof;

FIG. 4 is a right side elevational view thereof;

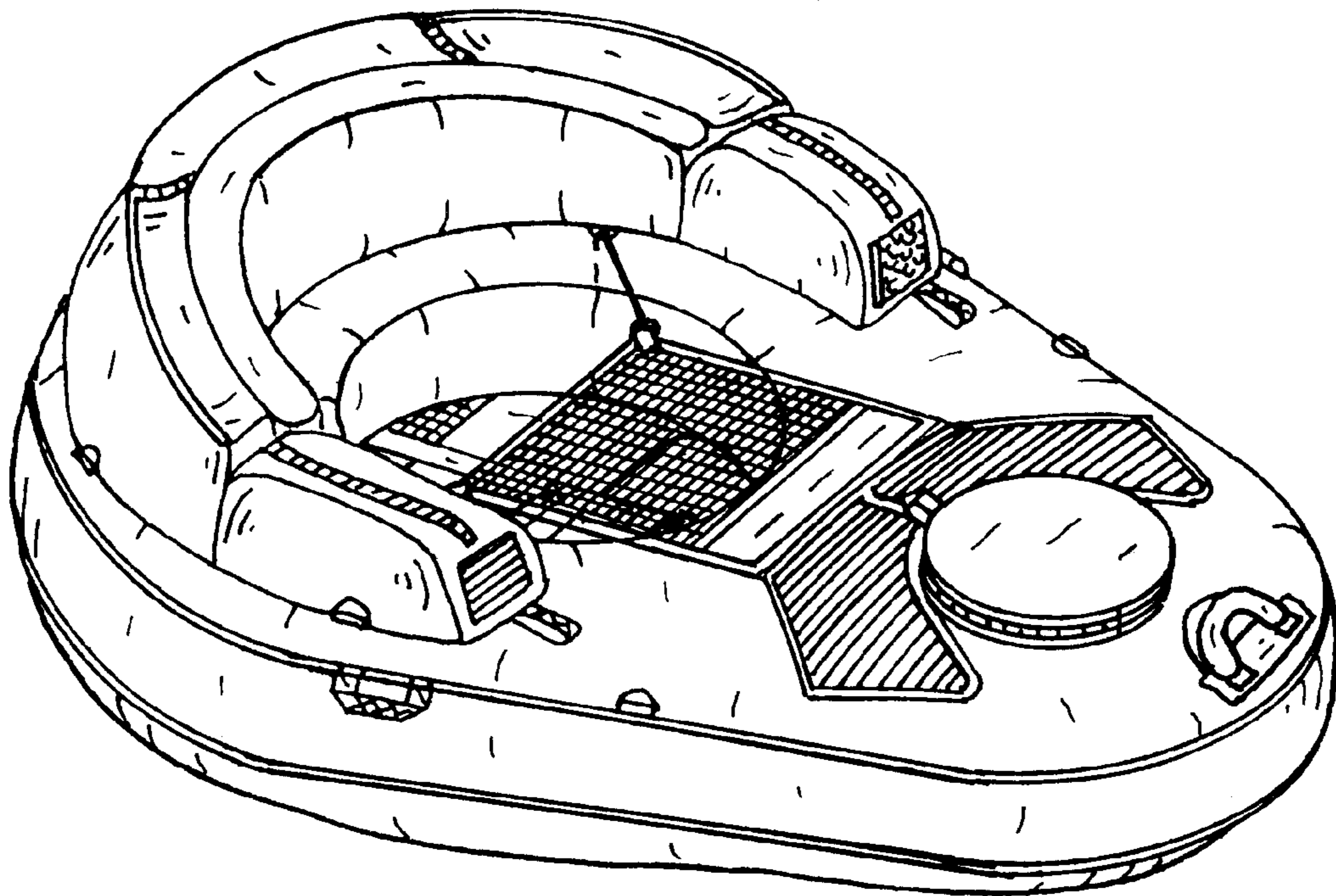
FIG. 5 is a front elevational view thereof;

FIG. 6 is a rear elevational thereof; and,

FIG. 7 is a bottom plan view thereof.

The broken line showing of environmental structure in FIGS. 1, 2 and 7 is for illustrative purposes only and forms no part of the claimed design.

1 Claim, 2 Drawing Sheets



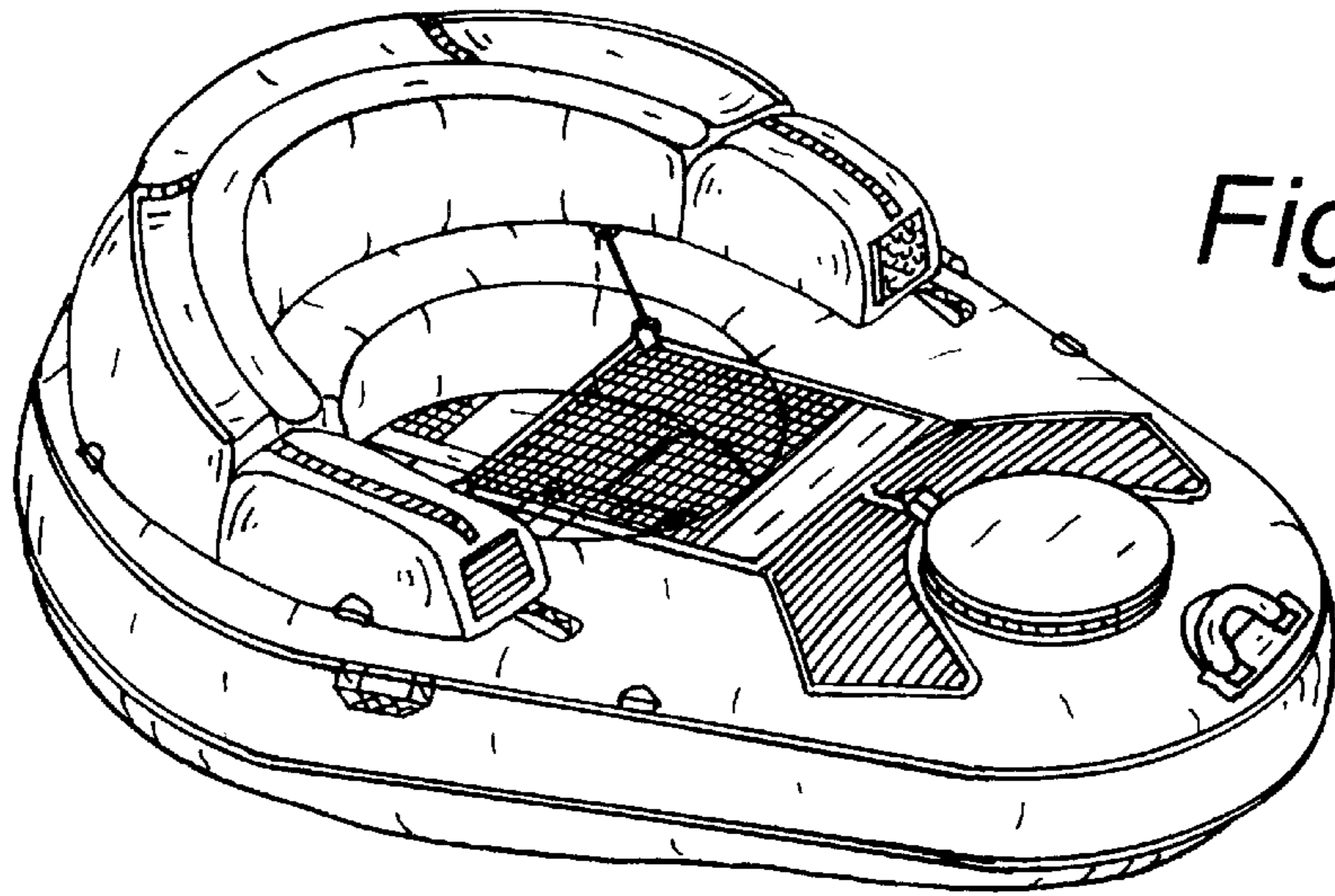


Fig. 1

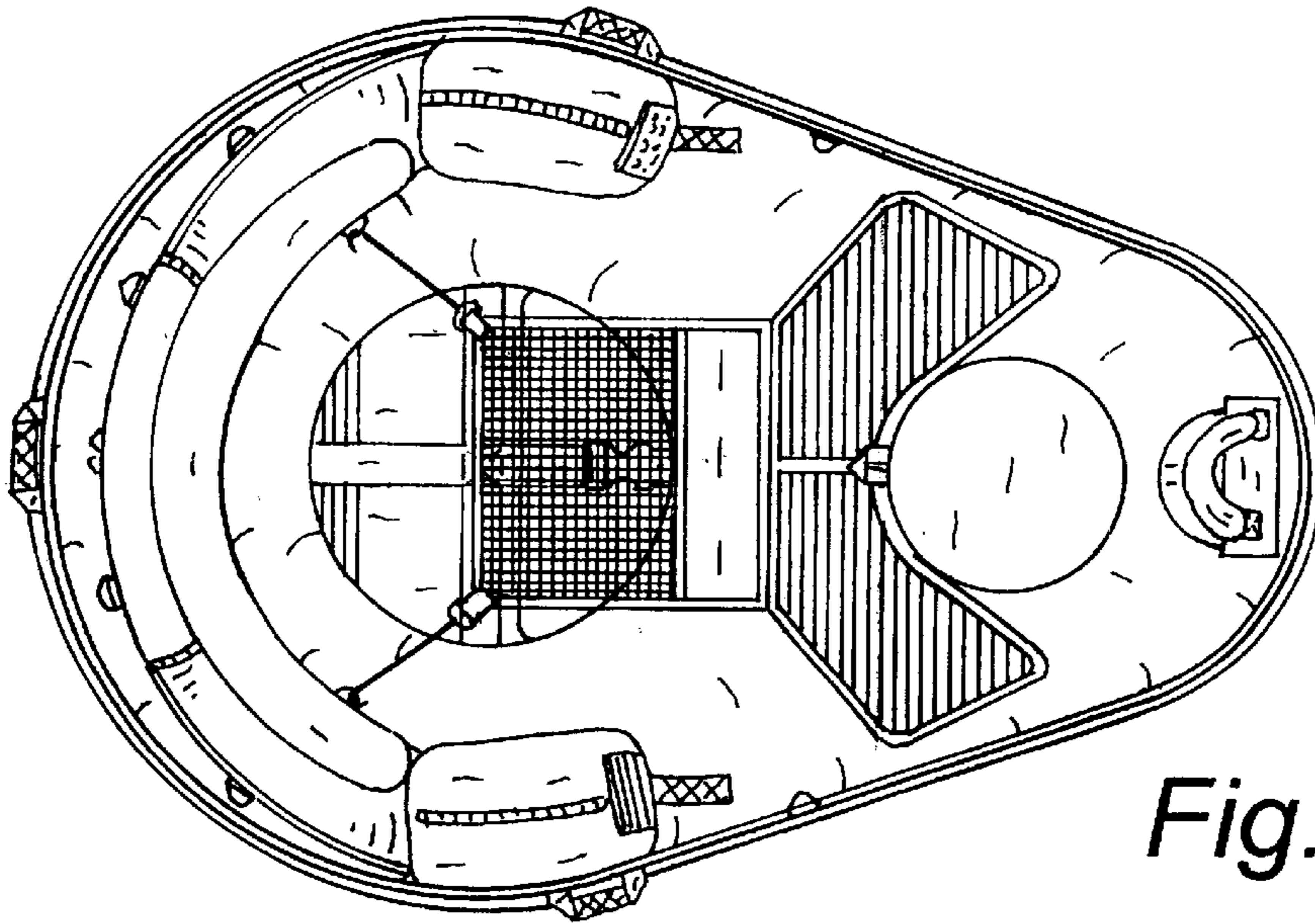


Fig. 2

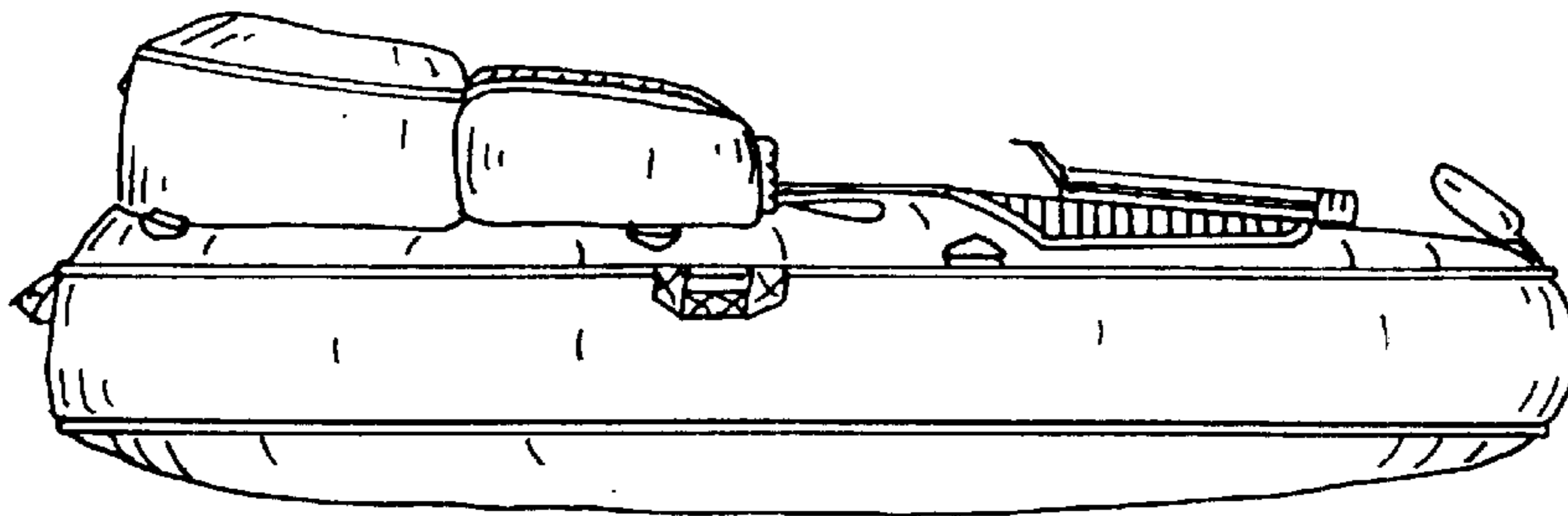


Fig. 3

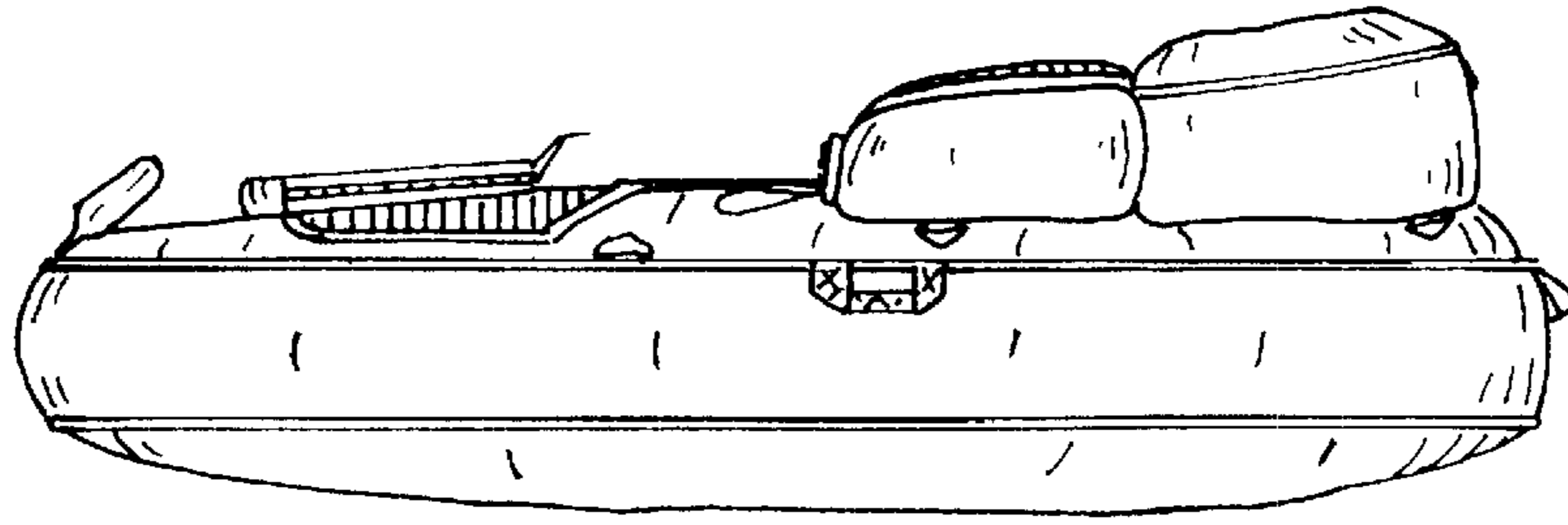


Fig. 4

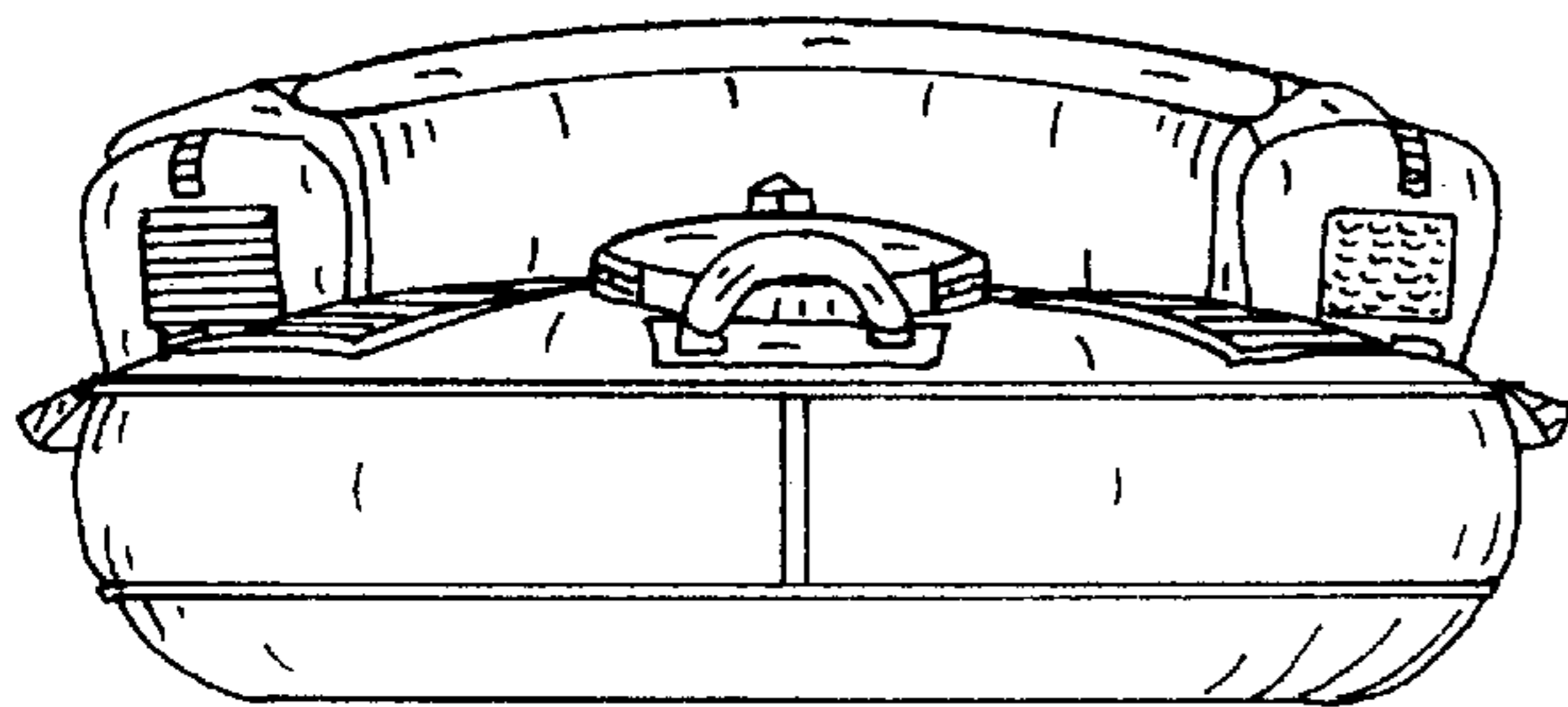


Fig. 5

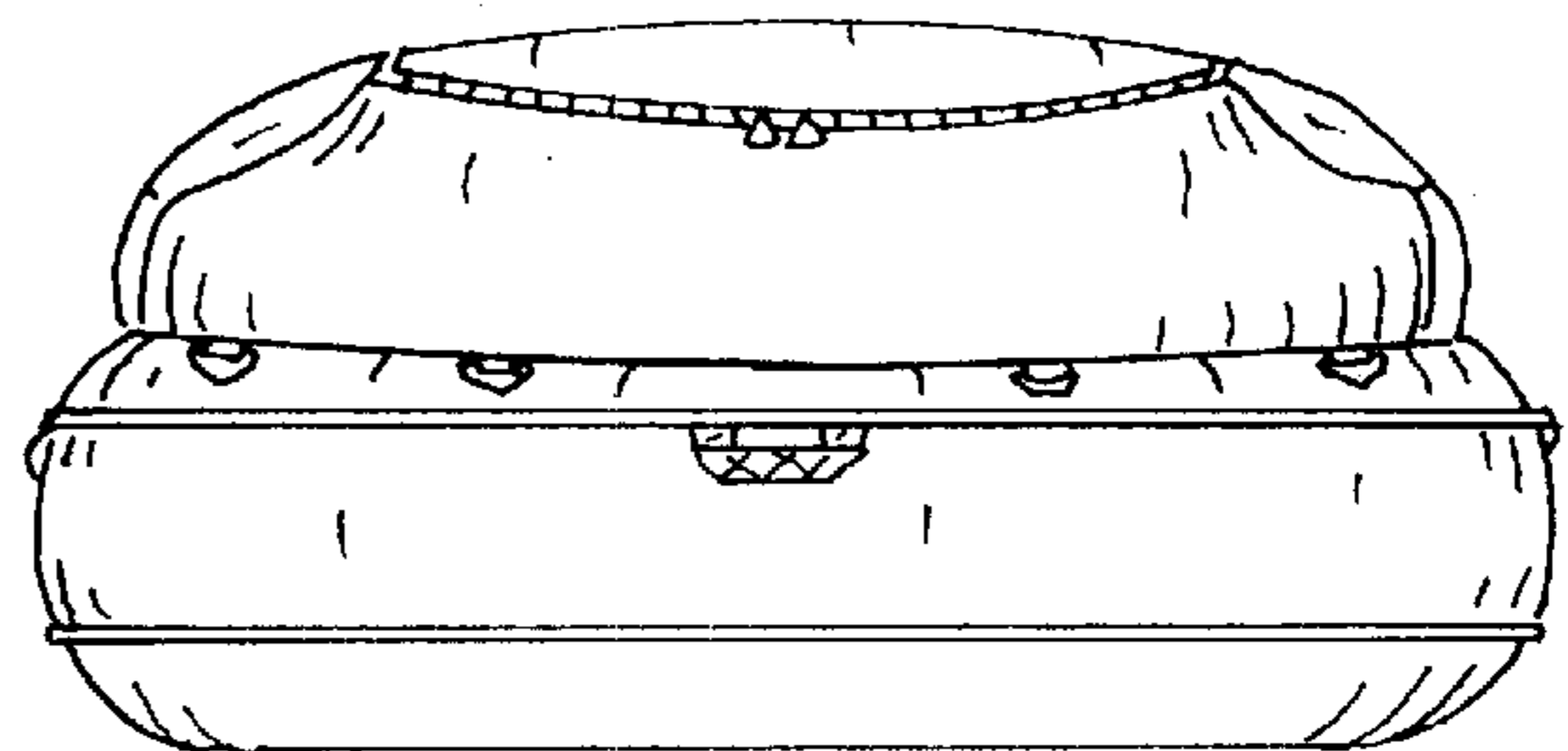


Fig. 6

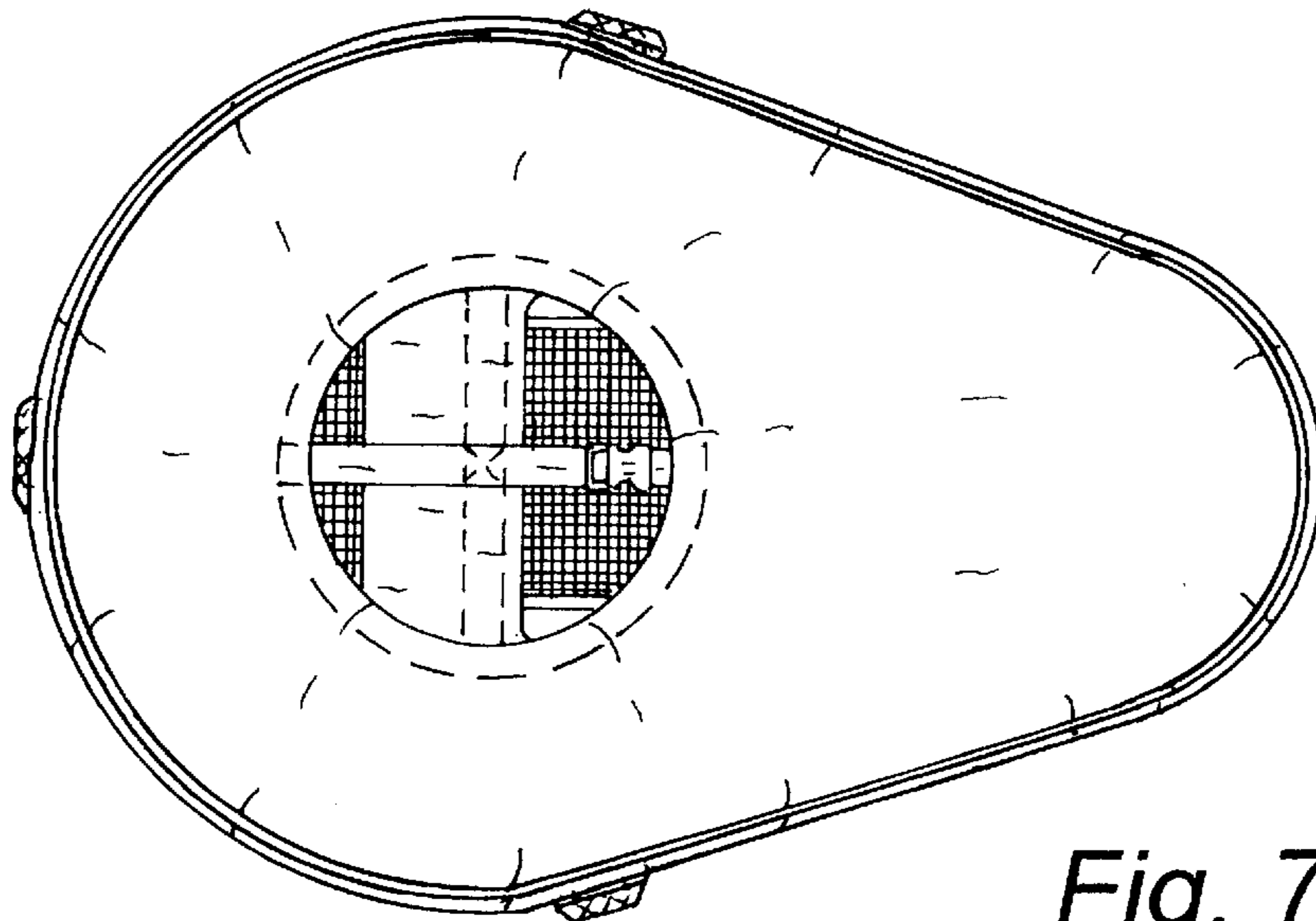


Fig. 7