



US00D465760S

(12) **United States Design Patent**  
**Chung**

(10) **Patent No.:** **US D465,760 S**

(45) **Date of Patent:** **\*\* Nov. 19, 2002**

(54) **AUTOMOTIVE WHEEL**

(75) **Inventor:** **Suny Chung**, Placentia, CA (US)

(73) **Assignee:** **MKW Alloy INC**, City of Industry, CA (US)

(\*\*) **Term:** **14 Years**

(21) **Appl. No.:** **29/160,565**

(22) **Filed:** **May 13, 2002**

(51) **LOC (7) Cl.** ..... **12-16**

(52) **U.S. Cl.** ..... **D12/211**

(58) **Field of Search** ..... **D12/204-211;**  
**301/37.1, 64.1, 65**

(56) **References Cited**

**U.S. PATENT DOCUMENTS**

D409,548 S	*	5/1999	Chung	.....	D12/209
D416,848 S	*	11/1999	Bernoni	.....	D12/209
D423,445 S	*	4/2000	Baumgartner	.....	D12/211
D428,379 S	*	7/2000	Donikoglu	.....	D12/211
D428,380 S	*	7/2000	Chinellato	.....	D12/211

D444,118 S	*	6/2001	Chung	.....	D12/211
D445,082 S	*	7/2001	Chung	.....	D12/211
D446,493 S	*	8/2001	Sulahian et al.	.....	D12/211
D455,108 S	*	4/2002	Kaucher	.....	D12/209
D456,335 S	*	4/2002	Chung	.....	D12/211
D459,692 S	*	7/2002	Vian	.....	D12/211

\* cited by examiner

*Primary Examiner*—Stacia Cadmus

(74) *Attorney, Agent, or Firm*—G. Donald Weber, Jr.

(57) **CLAIM**

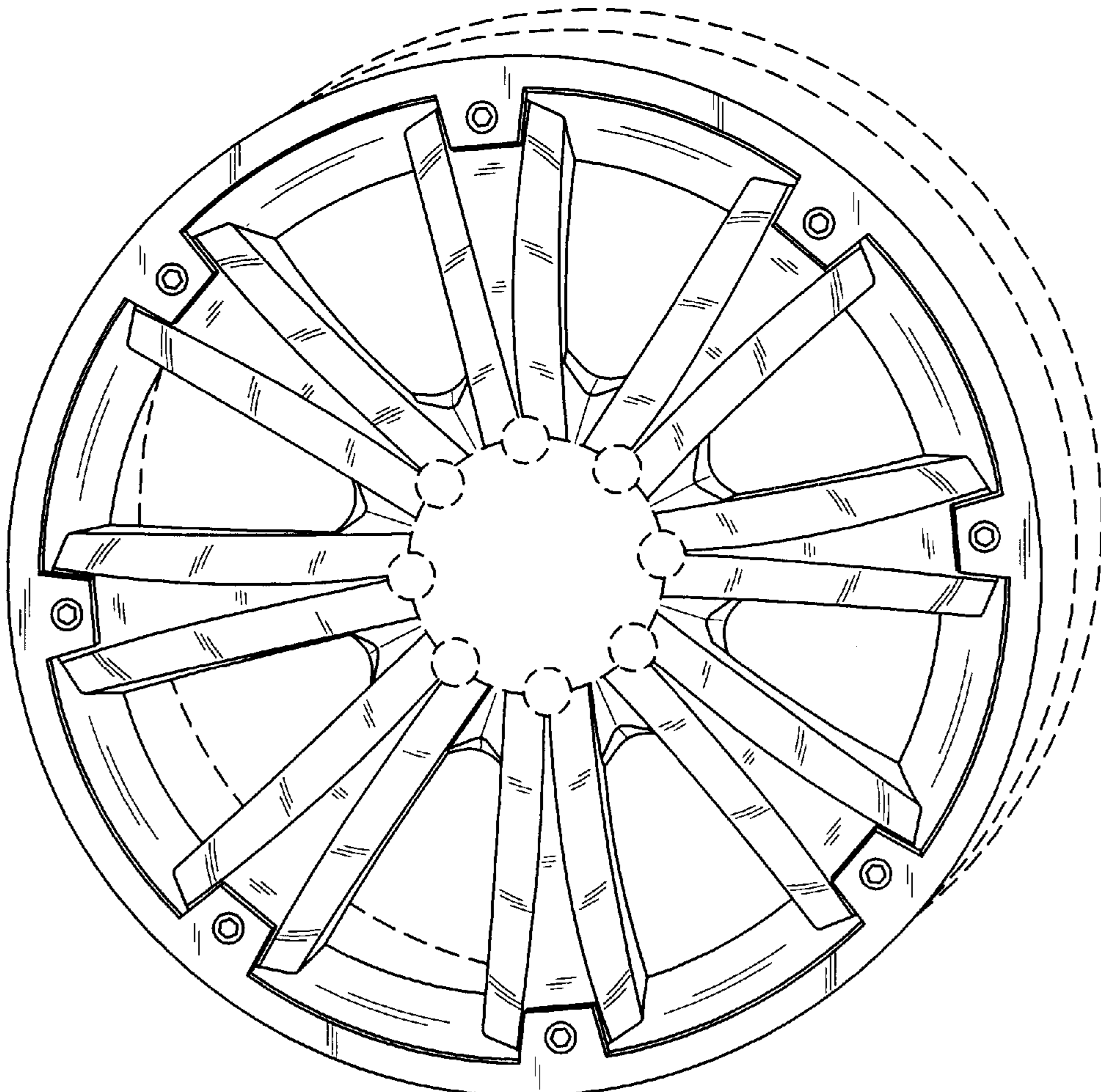
The ornamental design for an automotive wheel, as shown and described.

**DESCRIPTION**

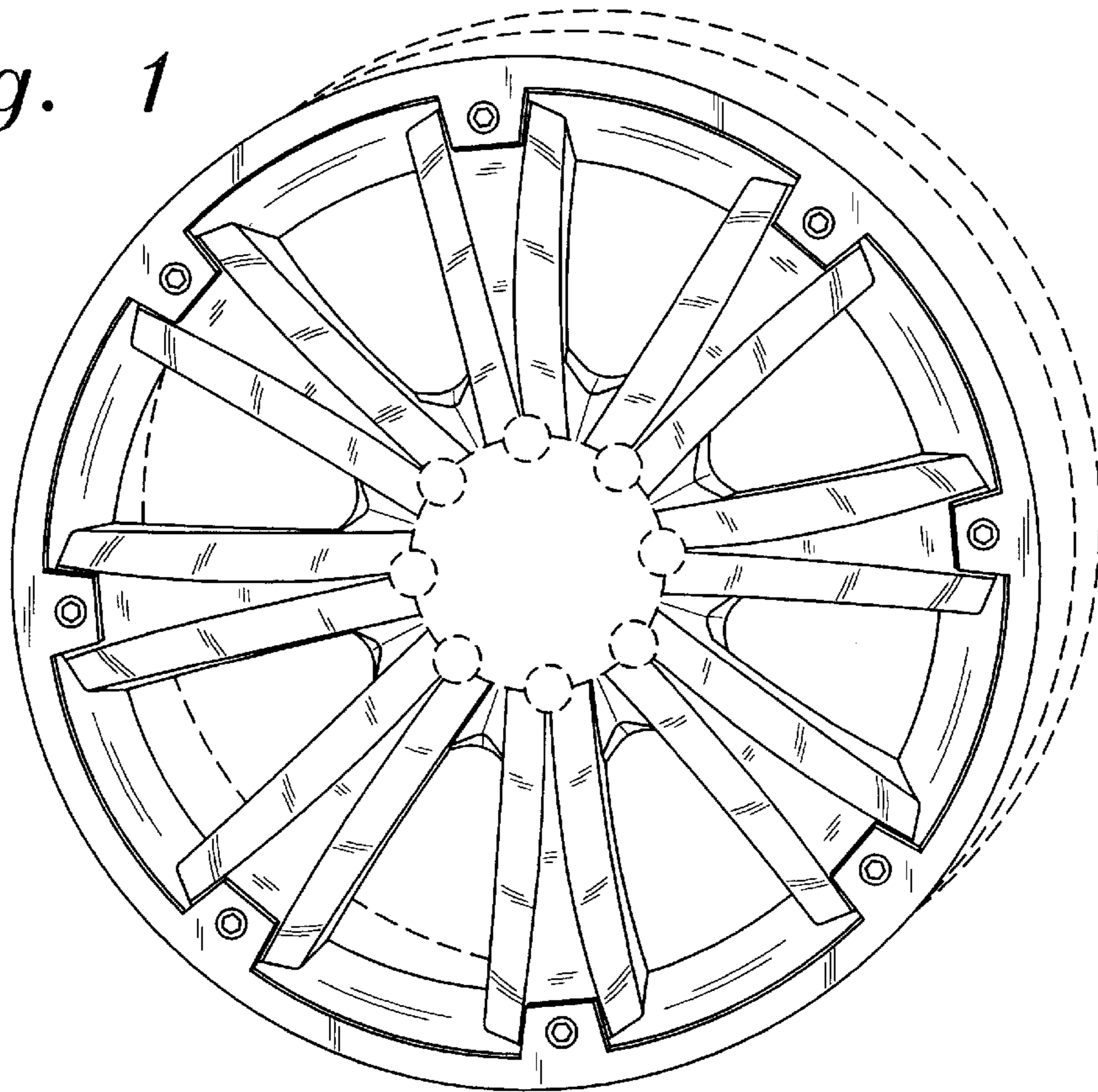
FIG. 1 is an oblique view of a first embodiment of the automotive wheel of the instant invention; and, FIG. 2 is a side elevation view of the first embodiment of the automotive wheel of the instant invention.

The broken line showing of environment is for illustrative purposes and forms no part of the claimed design.

**1 Claim, 1 Drawing Sheet**



*Fig. 1*



*Fig. 2*

