



US00D465759S

(12) **United States Design Patent**  
**Leutz et al.**

(10) **Patent No.:** **US D465,759 S**

(45) **Date of Patent:** **\*\* Nov. 19, 2002**

(54) **FRONT FACE OF A VEHICLE WHEEL**

(75) Inventors: **Volker Leutz**, Neckartailfingen (DE);  
**Mathias Etzold**, Herzogenaurach (DE)

(73) Assignee: **Micro Compact Car smart GmbH**,  
Renningen (DE)

(\*\*) Term: **14 Years**

(21) Appl. No.: **29/156,324**

(22) Filed: **Feb. 28, 2002**

(30) **Foreign Application Priority Data**

Aug. 30, 2001 (DE) ..... 401 07 667

(51) **LOC (7) Cl.** ..... **12-16**

(52) **U.S. Cl.** ..... **D12/211**

(58) **Field of Search** ..... D12/204-211;  
301/37.101, 64.101, 65

(56) **References Cited**

**U.S. PATENT DOCUMENTS**

- D230,726 S \* 3/1974 Cravits ..... D12/211
- D234,590 S \* 3/1975 Davis ..... D12/211
- D256,456 S \* 8/1980 Blanchard ..... D12/211
- D267,563 S \* 1/1983 Hayashi ..... D12/211
- D286,869 S \* 11/1986 Hedlund ..... D12/211
- D340,023 S \* 10/1993 Geran ..... D12/211

- D352,021 S \* 11/1994 Powers ..... D12/180
- D388,749 S \* 1/1998 Kiser ..... D12/211 X
- D418,793 S \* 1/2000 Donikoglu ..... D12/209
- D428,593 S \* 7/2000 Julien ..... D12/209
- D432,482 S \* 10/2000 Hodges ..... D12/211
- D444,117 S \* 6/2001 Manton ..... D12/211
- D450,648 S \* 11/2001 Oota ..... D12/211
- D452,840 S \* 1/2002 Hall ..... D12/211
- D453,133 S \* 1/2002 Murkett et al. .... D12/209
- D454,822 S \* 3/2002 Leutz ..... D12/209
- D458,574 S \* 6/2002 Kaucher ..... D12/211

\* cited by examiner

*Primary Examiner*—Stacia Cadmus

(74) *Attorney, Agent, or Firm*—Crowell & Moring LLP

(57) **CLAIM**

The ornamental design for a front face of a vehicle wheel, as shown and described.

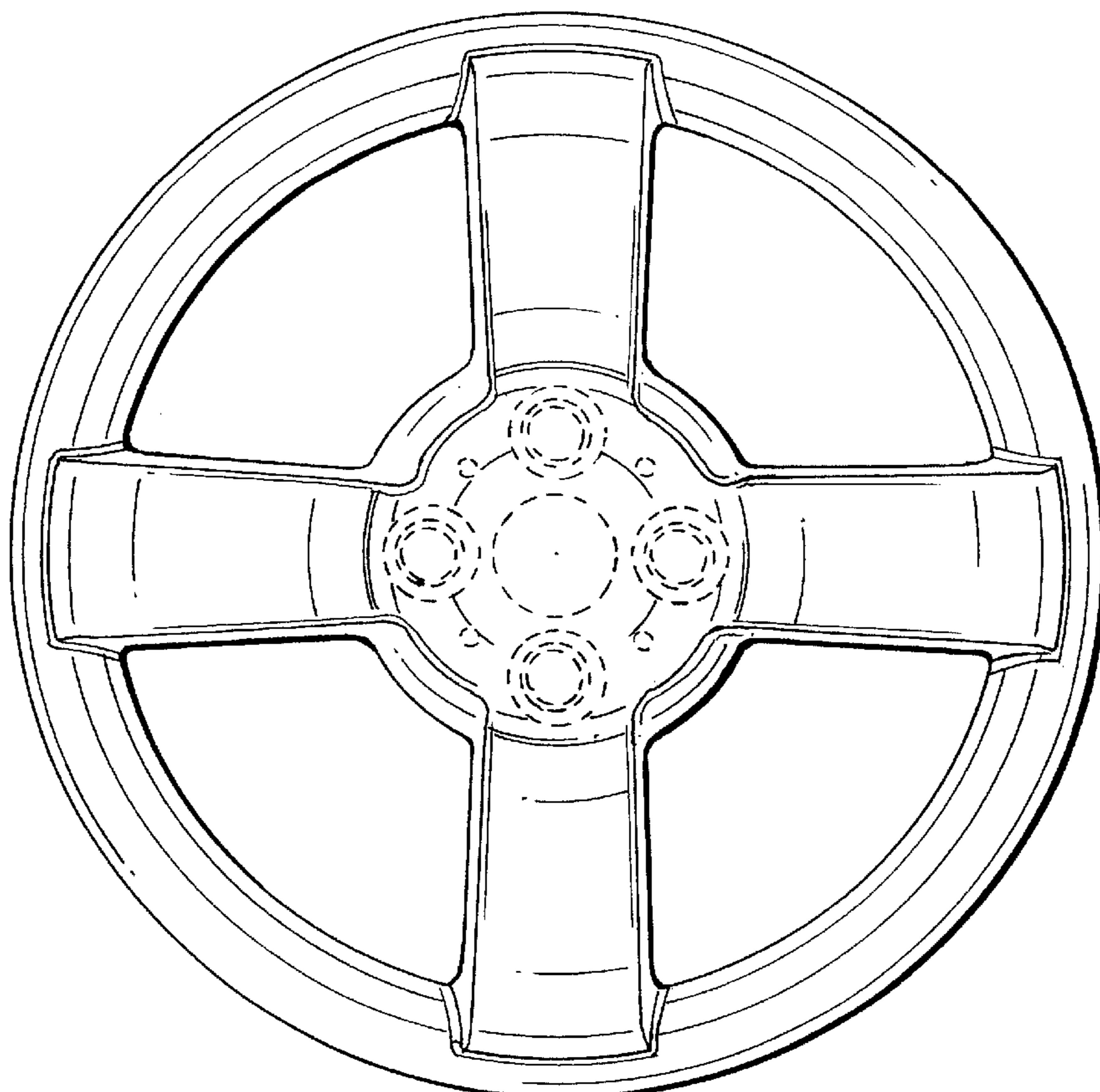
**DESCRIPTION**

FIG. 1 is a front view of a front face of a vehicle wheel according to our novel design; and,

FIG. 2 is a perspective view of the front face of a vehicle wheel according to our novel design.

The dash lines included depict environment and are not part of the claimed design.

**1 Claim, 1 Drawing Sheet**



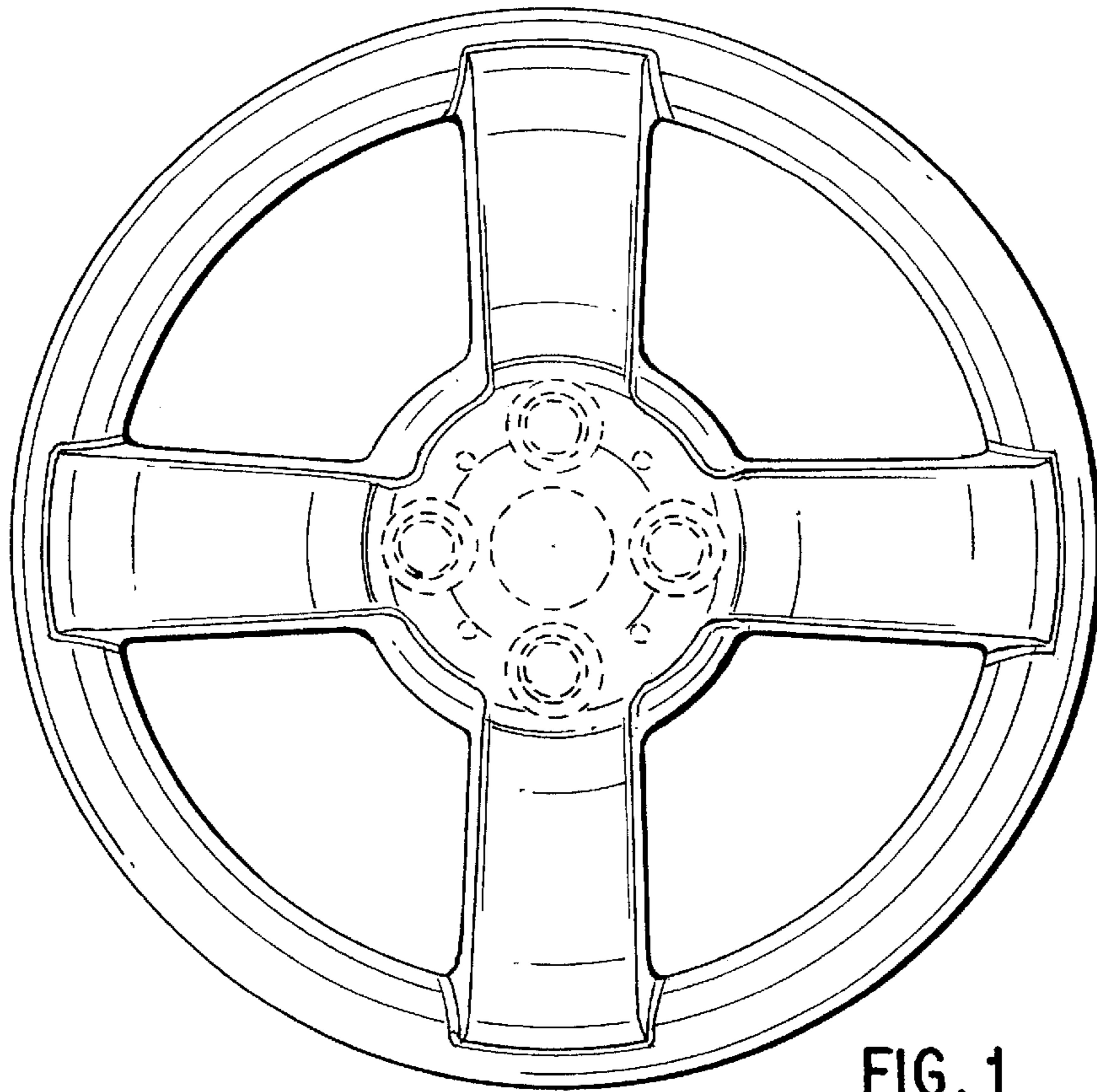


FIG. 1

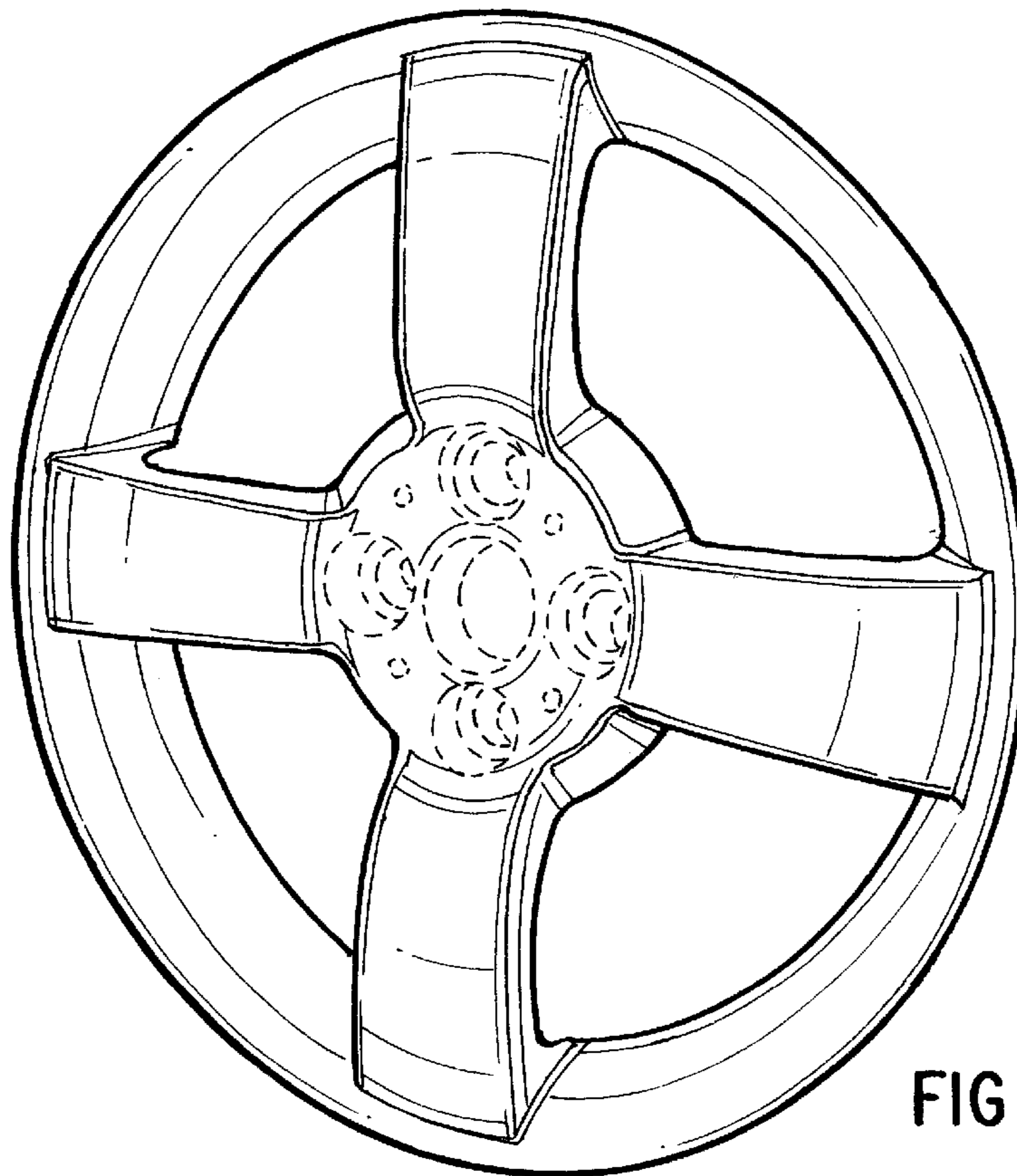


FIG. 2